

Models: 351M, 352M, 352½MM, 353½M, 358SN

Cast Bronze Screwed, Solder, and Sil-Braze Ends Y Strainers Sizes: ¼" - 4" (8 - 100mm)

Pressure/Temperature - Non-Shock		
Model	Material	Rating
351M	Bronze	200psi @ -20 to 150°F 13.79 bar @ 65.56°C 50psi @ 350°F 10.34 bar @ 176.67°C
352M	Bronze	400 psi @ -20 to 150°F 27.58 bar @ 65.56°C 300psi @ 350°F 20.68 bar @ 176.67°C
358S	Bronze	400psi @ -20 to 100°F 27.58 bar @ 37.78°C
352 ½	Bronze	250psi @ 425°F 17.24 bar @ 218.33°C

- 351M Screwed Class 125**
- 352M Screwed Class 250**
- 352½M Sil-Braze Class 125**
- 353½MM Solder Class 125**
- 358SN Solder Class 125**



351M Screwed ends (shown)
352M Screwed ends



358SN Solder Joint



352-½MM Sil-Braze ends

Typical Service

- Used to strain foreign matter from pipelines and provide economical protection for costly pumps, meters, valves, and other similar mechanical equipment

Features

- Machined seats in both body and cap align and lock the screen in place to stop sediment bypass.
- 352-½ conforms to Military specifications
- 352-½ conforms to the latest revision of BuShip Drawing 80064-810-841499.
- All sizes of 352-½ are furnished grooved less rings.

Construction

- Straight threaded, gasketed cap is used for easy disassembly and assembly. Many others use Loctite, rendering disassembly virtually impossible.

Self-Cleaning

- Self-cleaning is accomplished by opening the plug or valve connected to the blowoff outlet

Blowoff Outlets

- Outlets are NPT tapped
- Sizes of tapping specified on next page
- Not normally furnished with plug. Plug available, specify with order.
- BuShip Drawing strainers are supplied without blowoff outlets.

Capacity

- Generously proportioned bodies
- Open Area Ratio much greater than pipe size, ensuring low pressure drop.

Screens

MODEL	SIZES	STANDARD (WATER)		STEAM RECOMENDATION	
		MATERIAL	OPENING	MATERIAL	OPENING
All	¼" - 2"	304SS	20 mesh	304SS	.033 perf
	2½" - 4"	304SS	.062 perf	304SS	.033 perf

Job Name _____

Job Location _____

Engineer _____

Approval _____

Contractor _____

Approval _____

Contractor's P.O. No. _____

Representative _____

Materials

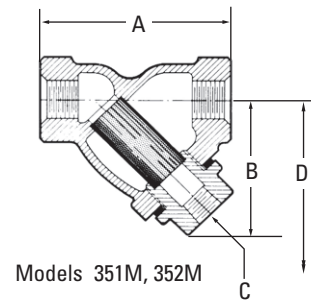
	351M, 352M 353½M, 358M	352½MM
Body	Bronze ASTM B62	Bronze ASTM B61
Cap	Bronze ASTM B62	Bronze ASTM B61
Screen	304SS ASTM A240	304SS ASTM A240
Gasket	Metal Filled Graphite	Copper

Pressure Drop

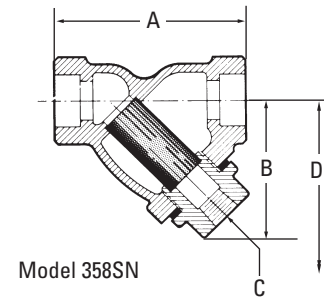
See Pressure Drop Charts in Technical Data Section of the Mueller Steam Specialty Engineering binder.

Dimensions and Weights

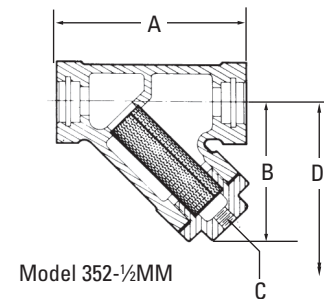
SIZE		DIMENSIONS						D		WEIGHT	
		A		B		C (NPT)		Screen Removal			
in.	mm	in.	mm	in.	mm	in.	mm	in.	mm	lbs.	kgs.
351M, 352M											
¼	8	2¾	70	2¼	57	¼	6	2½	64	.75	.34
⅜	10	2¾	70	2¼	57	¼	6	2½	64	.75	.34
½	15	2¾	70	2¼	57	¼	6	2½	64	.75	.34
¾	20	3	76	2⅞	65	⅜	10	2⅝	67	1.38	.62
1	25	3¾	95	2¾	70	⅜	10	3⅜	86	2.13	.96
1¼	32	4⅞	113	3⅝	81	¾	20	4⅝	117	3.13	1.4
1½	40	4⅞	125	3⅝	98	¾	20	5	127	4.5	2
2	50	6⅞	156	5⅝	130	1	25	6⅞	175	7	3.1
2½	65	8¼	210	6	152	1¼	32	8¾	222	12.5	5.6
3	80	9	229	6¾	171	1½	38	9¾	248	18	8
358SN											
¼	8	3	76	2¼	57	¼	6	¼	6	.75	.34
⅜	10	3	76	2¼	57	¼	6	¼	6	.75	.34
½	15	3	76	2¼	57	¼	6	¼	6	.75	.34
¾	20	3⅞	93	2⅞	65	⅜	10	⅜	10	1.38	.62
1	25	4¾	120	2¾	70	⅜	10	⅜	10	2.13	.96
1¼	32	5⅞	138	3⅝	81	¾	20	¾	20	3.13	1.4
1½	40	5⅞	150	3⅝	98	¾	20	¾	20	4.5	2
2	50	7⅞	192	5⅝	130	1	25	1	25	7	3.1
2½	65	9¾	248	6	152	1¼	32	1¼	32	12.5	5.6
3	80	10⅞	264	6¾	171	1½	38	1½	38	18	8
352½MM											
¼	8	2⅞	65	1⅞	48	⅛	3	2¾	70	.75	.34
⅜	10	2⅞	65	1⅞	48	⅛	3	2¾	70	.75	.34
½	15	2⅞	75	2⅞	54	⅛	3	3	76	1	.45
¾	20	3⅞	86	2⅞	65	¼	6	4	102	1.75	.79
1	25	4⅞	105	3⅞	79	¼	6	4½	114	2.5	1.1
1¼	32	4⅞	122	3⅞	90	⅜	10	5½	140	4.25	1.9
1½	40	5⅞	137	4⅞	122	½	15	6½	165	5.5	2.5
2	50	6⅞	168	5⅞	137	¾	20	8¼	210	8.25	3.7
2½	65	7⅞	200	6½	165	1	25	10	254	15.5	7
3	80	11¾	298	7	178	1	25	10½	267	36	16
4	100	15⅞	386	11⅞	289	Blind Cover		16	406	90	41



Models 351M, 352M



Model 358SN



Model 352½MM

Mueller Steam Specialty product specifications in U.S. customary units and metric are approximate and are provided for reference only. For precise measurements, please contact Mueller Steam Specialty Technical Service. Mueller Steam Specialty reserves the right to change or modify product design, construction, specifications, or materials without prior notice and without incurring any obligation to make such changes and modifications on Mueller Steam Specialty products previously or subsequently sold.



A Watts Water Technologies Company

USA: St. Pauls, NC • Tel. 1-800-334-6259 • Fax 1-800-421-6772 • www.muellersteam.com

ES-MS-351M_358 1020



ISO 9001-2008
CERTIFIED

© 2010 Mueller Steam Specialty