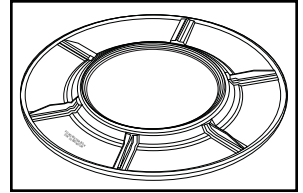
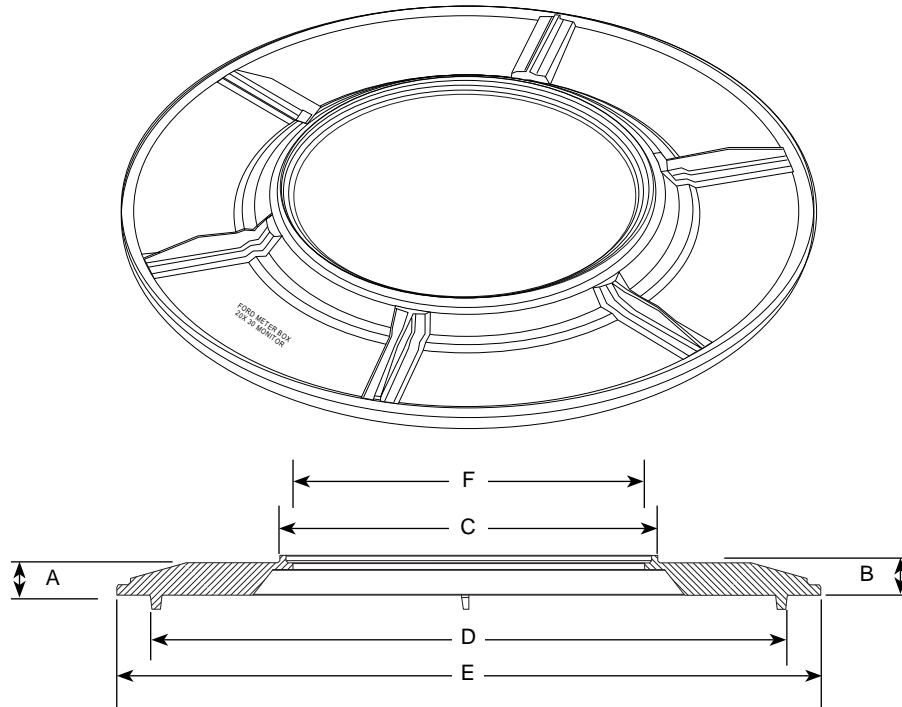


SUBMITTAL INFORMATION

Flange For Monitor Covers - (FL-xx style)



MONITOR COVER FLANGE FOR 30" AND 36" ID TILE



TILE I.D. SIZE	DIMENSION A	DIMENSION B	DIMENSION C	DIMENSION D	DIMENSION E	DIMENSION F	LUGS		APPROX WT. LBS.	PART NUMBER
							QTY.	SIZE		
30"	1-3/8"	1-3/4"	20-7/8"	29-1/8"	32"	19-1/2"	3	3/4"	49	FL-30
36"	1-3/4"	2-1/8"	20-7/8"	35-1/4"	39"	19-1/2"	4	3/4"	105	FL-36

FEATURES

- Frame is of cast iron per ASTM A48, Class 25
- Finish is black e-coating

The Ford Meter Box Company considers the information in this submittal form to be correct at the time of publication. Item and option availability, including specifications, are subject to change without notice. Please verify that your product information is current.



The Ford Meter Box Company, Inc.

P.O. Box 443, Wabash, Indiana U.S.A. 46992-0443

Phone: 260-563-3171 / Fax: 800-826-3487

Overseas Fax: 260-563-0167

<http://www.fordmeterbox.com>

08/04/11

Submitted By: