



Freshman™ | K-4989-T

Siphon-jet half-stall 1.0 gpf urinal, top spud

Features

- Siphon jet
- 3/4" (19 mm) top spud
- Includes inlet and outlet spuds and hangers
- 1.0 gpf (3.8 lpf)



Available Colors/Finishes

Color tiles intended for reference only.

- 0 White
- 96 Biscuit
- 7 Black Black



1-800-4KOHLER (1-800-456-4537)
Kohler Co. reserves the right to make revisions without notice to product specifications.
For the most current specification sheet, go to www.kohler.com USA or www.kohler.ca Canada.
4-22-2026 11:8 - US-CA

THE BOLD LOOK
OF **KOHLER**

Codes/Standards

ASME A112.19.2/CSA B45.1
DOE - Energy Policy Act 1992

Technical Information

All product dimensions are nominal.

Spud size: 3/4", Inlet, Top
Spud size: 3/4", Outlet, Top
Trapway Type: Concealed
Flush Rate: 1.0 gpf (3.8 lpf)

Designed for the above water use when installed with a water-saving flushometer.

Material

- Vitreous china
-

Recommended Products/Accessories

K-23726 Drain treatment
K-23725 Cast iron cleaner
K-76319 Urinal flushometer, 1.0 gpf

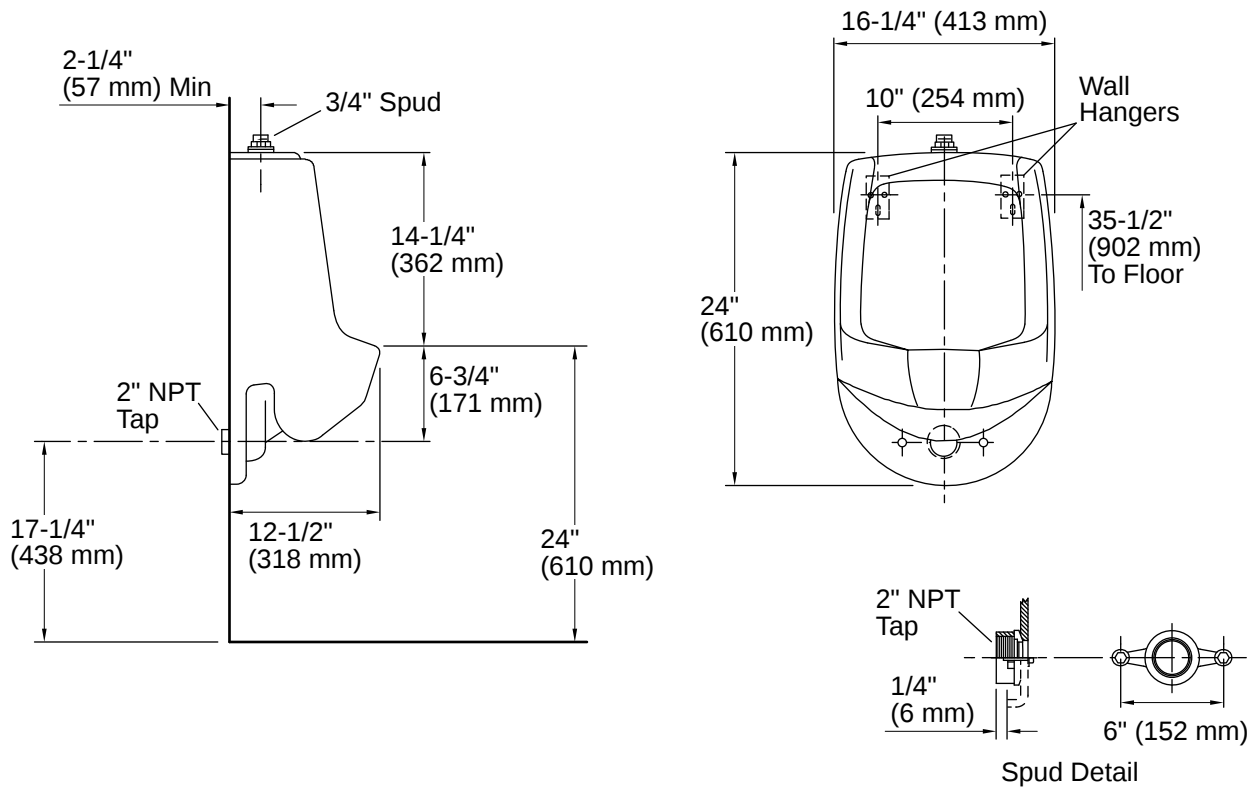
Warranty

See website for detailed warranty information.

KOHLER® One-Year Limited Warranty



1-800-4KOHLER (1-800-456-4537)
Kohler Co. reserves the right to make revisions without notice to product specifications.
For the most current specification sheet, go to www.kohler.com USA or www.kohler.ca Canada.
4-22-2026 11:8 - US-CA



Installation Notes

Install this product according to the installation instructions.

Refer to manufacturer's instructions and local codes for flush valve requirements.

Product dimensions are nominal and may vary per ASME A112.19.2 tolerances.

