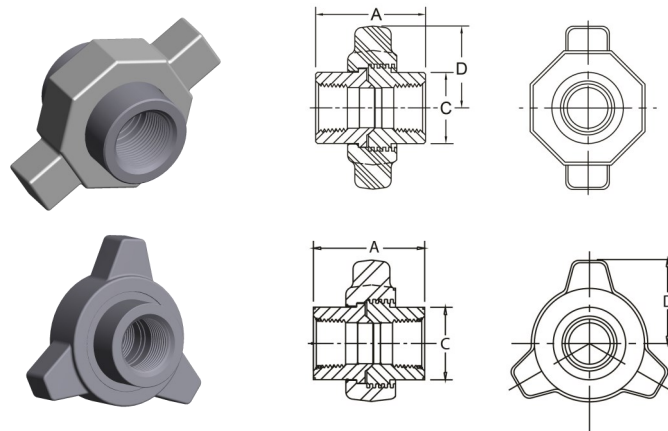


Class 3000 Forged Steel Threaded Unions X-Series

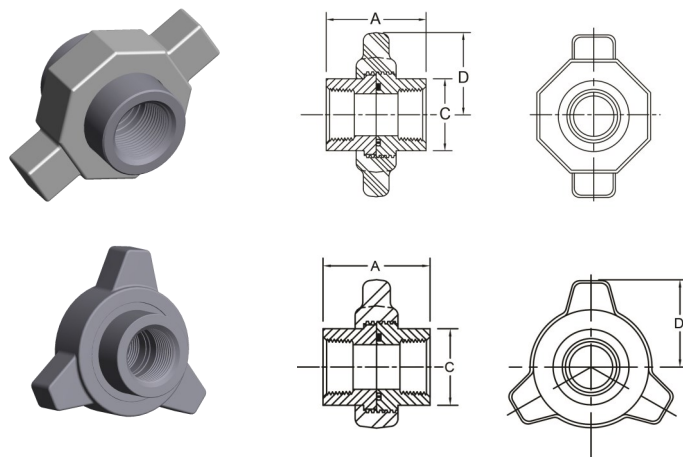


Lug, Threaded, X-Series

ASTM A-105, MSS SP-83 (where applicable), ASME B1.20.1

Pipe Size	1/4	3/8	1/2	3/4	1	1-1/4	1-1/2	2	2-1/2	3
A	1.995	1.995	1.995	2.312	2.504	2.828	3.073	3.463	4.122	4.313
C	1.234	1.234	1.234	1.468	1.797	2.172	2.468	3.032	3.656	4.390
D 2 Lug	N/A	N/A	1.545	1.862	2.172	2.468	2.937	3.422	3.906	4.500
D 3 Lug	1.410	1.410	1.410	1.681	2.188	2.273	2.522	2.959	3.396	4.072
Wt. Ea.	0.83	0.83	0.83	1.41	1.97	3.25	3.90	6.50	10.63	14.60

Available in 2 Lug and 3 Lug Unions



Lug, O-Ring, Threaded, X-Series

ASTM A-105, MSS SP-83 (where applicable), ASME B1.20.1

Pipe Size	1/2	3/4	1	1-1/4	1-1/2	2	2-1/2	3
A	1.995	2.312	2.504	2.828	3.073	3.463	4.122	4.313
C	1.234	1.468	1.797	2.172	2.468	3.032	3.656	4.390
D 2 Lug	1.545	1.862	2.172	2.468	2.937	3.422	3.906	4.500
D 3 Lug	1.410	1.681	2.188	2.273	2.522	2.959	3.396	4.072
Wt. Ea.	0.83	1.41	1.97	3.25	3.90	6.50	10.63	14.60

Available in 2 Lug and 3 Lug Unions