

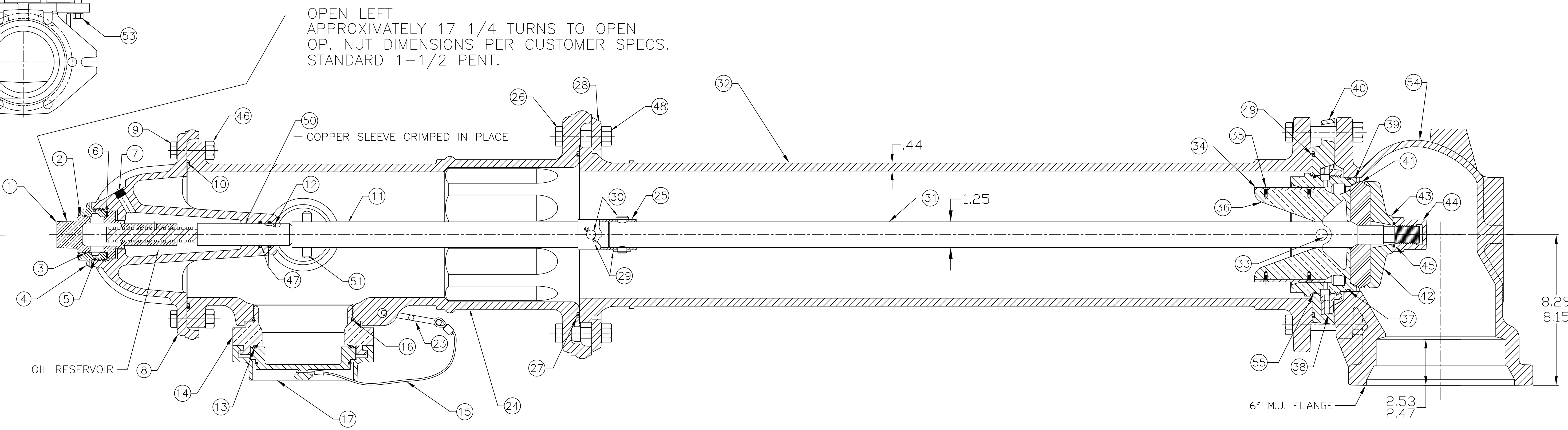
PARTS LIST				
ITEM	DESCRIPTION	REQ'D	MATERIAL	A.S.T.M.
1	OPERATING NUT	1	BRONZE	B-584 C83600
2	WIPER RING	1	RUBBER	D-2000 EPDM
3	HOLD DOWN NUT O-RING	1	RUBBER	D-2000 BUNA N
4	HOLD DOWN NUT	1	BRONZE	B-584 C83600
5	BONNET O-RING	1	RUBBER	D-2000 BUNA N
6	ANTI-FRICTION WASHER	1	CELCON	GRADE M90-04
7	OIL FILLER PLUG	1	BRASS	B-16 ALLOY 360
8	BONNET	1	CAST IRON	A-126 CLASS B
9	HEX BOLT	8	STEEL	J429 GRADE 2
10	TOP UPPER BARREL O-RING	1	RUBBER	D-2000 BUNA N
11	UPPER STEM	1	CARBON STEEL	A-576 GR 1144T
12	STEM O-RING	1	RUBBER	D-2000 BUNA N
13	GASKET	1	RUBBER	D-2000
14	5" STORZ PUMPER NOZZLE	1	MANG. BRONZE	B-584 C86300
15	STORZ CAP CABLE	1	STAINLESS STEEL	
16	PUMPER NOZZLE O-RING	1	RUBBER	D-2000 BUNA N
17	5" STORZ PUMPER CAP	1	ALUMINUM	
18	HOSE NOZZLE	2	BRONZE	B-584 C89833
19	HOSE NOZZLE CAP GASKET	2	RUBBER	D-2000 NEOPRENE
20	HOSE NOZZLE O-RING	2	RUBBER	D-2000 BUNA N
21	HOSE NOZZLE CAP	2	CAST IRON	A-126 CLASS B

ITEM	DESCRIPTION	REQ'D	MATERIAL	A.S.T.M.
22	CAP CHAIN	3	STEEL	ELECTRO GALV.
23	CHAIN HOOK	1	STEEL	ELECTRO GALV.
24	UPPER BARREL	1	CAST IRON	A-126 CLASS B
25	SAFETY STEM COUPLING	1	STAINLESS STEEL	A-890 1.5% SILICON MAX.
26	SAFETY FLANGE BOLT	8	STEEL	A-307 ELECTROGALV. GR. B
27	BOTTOM UPPER BARREL O-RING	1	RUBBER	D-2000 BUNA N
28	SAFETY FLANGE	1	CAST IRON	A-126 CLASS B
29	COTTER PIN	2	STAINLESS STEEL	A-276 302
30	CLEVIS PIN	2	STAINLESS STEEL	A-276 305
31	LOWER STEM	1	CARBON STEEL	A-576 GR 1144T
32	LOWER BARREL	1	CAST IRON	A-126 CLASS B
33	STEM PIN	1	STAINLESS STEEL	A-276 302
34	DRAIN VALVE FACING	2	H.D. POLYETHYLENE	LS 5660-00
35	DRAIN VALVE FACING SCREW	4	STAINLESS STEEL	A-276 302
36	UPPER VALVE PLATE	1	BRONZE	B-584 C89833
37	BOTTOM SEAT O-RING	1	RUBBER	D-2000 BUNA N
38	DRAIN RING	1	BRONZE	B-584 C83600
39	SEAT RING	1	BRONZE	B-584 C89833
40	DRAIN RING HOUSING	1	CAST IRON	A-126 CLASS B
41	MAIN VALVE	1	RUBBER	D-2000 NATURAL
42	LOWER VALVE PLATE	1	CAST IRON	A-126 CLASS B
43	LOCK WASHER	1	STAINLESS STEEL	A-276 302

ITEM	DESCRIPTION	REQ'D	MATERIAL	A.S.T.M.	CLASS
44	VALVE NUT	1	CAST IRON	A-126	CLASS B
45	VALVE NUT SEAL	1	RUBBER		NITRILE
46	HEX NUT	8	STEEL	A563	GRADE B
47	STEM O-RING	2	RUBBER	D-2000	BUNA N
48	SAFETY FLANGE NUT	8	STEEL	A563	GRADE B
49	DRAIN RING HOUSING O-RING	1	RUBBER	D-2000	BUNA N
50	SLEEVE	1	COPPER	B-75	ALLOY 122
51	UPPER STEM PIN	1	STAINLESS STEEL	A-276	302
52	HEX BOLT	6	STEEL	J429	GRADE 2
53	HEX NUT	6	STEEL	A563	GRADE B
54	SHOE	1	DUCTILE IRON	A536	GRADE 65-45-12

SEE CAT. RECORD FOR RESPECTIVE PARTS OR SUB. ASS'YS

NOTE: SIZE AND STYLE OF OPERATING NUT, SHOE SIZE, AND THREADING OF NOZZLES IS PER CUSTOMER SPECS.



4 1/2" A421 & 5 1/4" A423 SUPER CENTURION "250" W/ TWO HOSE NOZZLES & ONE PUMPER NOZZLE - 250 P.S.I. W.P.- 500 P.S.I. TEST, 1997 STYLE.

DWG. FH 133

REV.	DESCRIPTION	REF.	DRFTR	CHKR	APP	DATE
E	REVISE ITEMS 9, 26, 46, 48, 52, & 53		ANC			1-20-16
D	REVISE ITEMS 1, 4, 18, 36, 38, & 39		JMG			11-8-13
C	REVISE MATERIAL ON ITEM #14		ANC			1-21-13
B	REVISE ITEMS #11 & 31		MRG			2-27-12
A	REVISE ITEMS # 11 & 31		ANC			11-20-09

(MILLIMETER) INCH INITIAL RELEASE DRFTR SMC 5-18-06 CHK'R APP E.O. NUMBER	TOLERANCES - MACHINING UNLESS OTHERWISE NOTED FINISH SURFACES MACH. .006/.016 125 FRACTIONS ±1/64 DECIMALS 2 PL ±.005 3 PL ±.003 ANGLES ±1°	THIRD ANGLE PROJECTION PURCH. FINISH REF. NO. SCALE N.T.S. STK. NO.
MAT'L SEE TABLE DESC'R 4 1/2" A421 & 5 1/4" A423 SUPER CENTURION W/ M/J SHOE ASSEMBLY & STORZ CONNECTION		REVISION E NUMBER FH 133 SHEET 1 OF 1