

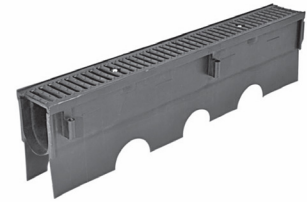
Location: \_\_\_\_\_



**T1400**

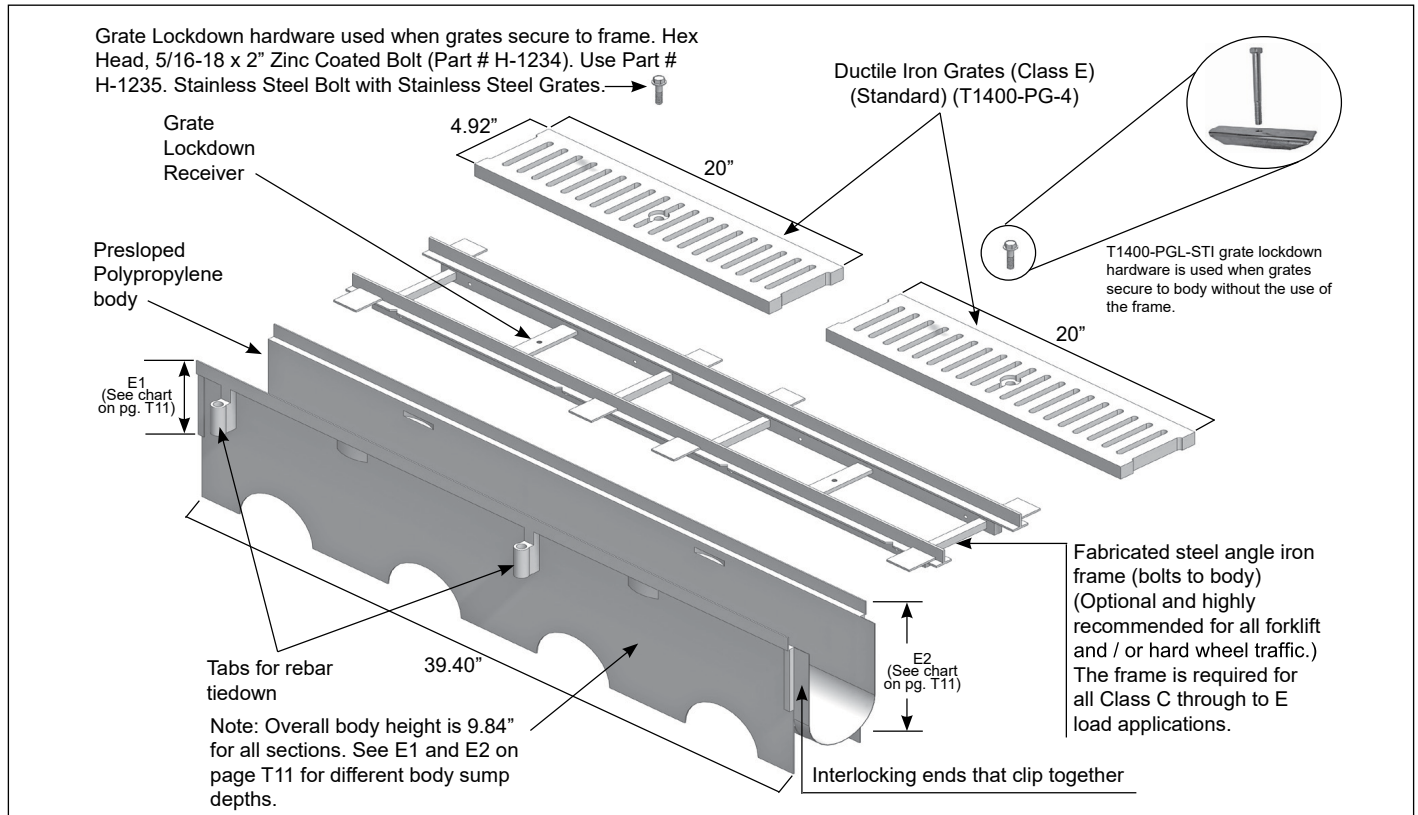
**6" WIDE, PRESLOPED POLYPROPYLENE TRENCH DRAIN BODY, STEEL FRAME AND GRATE SYSTEM**

**Specification:** MIFAB® Series T1400, 6" wide, 39.40" long, pre-sloped (0.5%) or neutral trench drain system. Body is manufactured from polypropylene. Each body has four tabs, 20" apart, for #3 rebar tie down and leveling. Bodies have interlocking ends, a radiused bottom for efficient liquid drainage and have staggered, semi-circular cutouts on each side at the bottom to enable concrete flow underneath the body. End and bottom outlets are available in 3" and 4" no hub outlet connections. Grate options include ductile iron, galvanized steel, stainless steel, and plastic, along with grate lockdown hardware for each grate to secure to the body. These grates are available in Class A, B, C, D and E along with ADA compliance (see pages 33-35). Catch basins are also available.



**Assembled T1400 Trench Drain**

**Function:** Used in airports, car washes, malls, gas stations, parking lots, golf courses, factories and any other facilities that require large areas of surface drainage. The lightweight and chemical resistant polypropylene body provides for long life. Polypropylene support board prevents debris from entering the trench body during construction. Water resistant sealant recommended between sections for indoor installations. An infinite number of body sections can be assembled together to serve any requirement. 45 and 90 degree body sections are available.



<p>T1400-CLIP (Clips to hold bodies together)</p>	<p>T1400-PBO4 No Hub Bottom Outlet (3" or 4")</p>	<p>T1400-PEO4 - 3" or 4" No Hub End Outlet with Finish Cap 2 Body Clips (serves as End Cap as needed)</p>	<p>The Finish Cap is supplied with the end cap as part # T1400-PEC. The part # for the Finish Cap only is T1400-PEFC.</p> <p>T1400-PEC (Starting End Cap - 2 Body Clips with Finish Cap)</p>	<p>T1400-45</p>	<p>T1400-TEE</p>
---	---	---	--	-----------------	------------------

CALIFORNIA PROPOSITION 65 WARNING. This product contains chemicals known to the State of California to cause cancer and birth defects or other reproductive harm.

Job Name: \_\_\_\_\_  
 Section No: \_\_\_\_\_  
 Schedule No: \_\_\_\_\_

Page No: \_\_\_\_\_  
 Contractor: \_\_\_\_\_  
 Purchase Order No: \_\_\_\_\_

Location: \_\_\_\_\_



**T1400**

**6" WIDE, PRESLOPED POLYPROPYLENE TRENCH DRAIN BODY, STEEL FRAME AND GRATE SYSTEM**

Body Part Number	Body Sump Depth				Overall Body Depth	Max. Flow Rate			Weight (Less Grate)		
	E1 (Min.)		E2 (Max.)			Inches	GPM Gallons per Minute	LPS Litres per Second	CFS Cubic Feet per Second	Lbs.	Kg.
	Inches	mm	Inches	mm							
T1400N	5.90"	150	5.90"	150	9.84"	130	8.39	0.289	5.00	2.20	
T1401	5.90"	150	6.10"	155	9.84"	130	8.39	0.289	5.00	2.20	
T1402	6.10"	155	6.29"	160	9.84"	145	9.35	0.323	5.00	2.20	
T1403	6.29"	160	6.49"	165	9.84"	160	10.32	0.356	5.00	2.20	
T1404	6.49"	165	6.69"	170	9.84"	175	11.29	0.389	5.00	2.20	
T1405	6.69"	170	6.89"	175	9.84"	190	12.26	0.423	5.00	2.20	
T1405N	6.89"	175	6.89"	175	9.84"	190	12.26	0.423	5.00	2.20	
T1406	6.89"	175	7.08"	180	9.84"	215	13.87	0.478	5.00	2.20	
T1407	7.08"	180	7.28"	185	9.84"	230	14.84	0.512	5.00	2.20	
T1408	7.28"	185	7.48"	190	9.84"	245	15.80	0.545	5.00	2.20	
T1409	7.48"	190	7.67"	195	9.84"	260	16.77	0.579	5.00	2.20	
T1410	7.67"	195	7.87"	200	9.84"	275	17.74	0.612	5.00	2.20	
T1410N	7.87"	200	7.87"	200	9.84"	275	17.74	0.612	5.00	2.20	
T1411	7.87"	200	8.07"	205	9.84"	290	18.71	0.645	5.00	2.20	
T1412	8.07"	205	8.26"	210	9.84"	305	19.67	0.679	5.00	2.20	
T1413	8.26"	210	8.46"	215	9.84"	320	20.64	0.712	5.00	2.20	
T1414	8.46"	215	8.66"	220	9.84"	335	21.61	0.745	5.00	2.20	
T1415	8.66"	220	8.85"	225	9.84"	350	22.58	0.788	5.00	2.20	
T1415N	8.85"	225	8.85"	225	9.84"	365	23.54	0.812	5.00	2.20	

Ductile Iron Grates (all 20" long. Two grates required per body section) (Must use frame with grates - Load Class C and greater)	
Suffix	Description
-4	Ductile Iron, Extra Heavy Duty, Ductile Iron Slotted grate - Class E
-HP-4	Ductile Iron, Heel Proof Longitudinal Slotted Grate, Special Duty - Class E
-HP-4-13	Ductile Iron, Galvanized, Heel Proof Longitudinal Slotted Grate, Special Duty - Class E
-LG-4	Ductile Iron, Extra Heavy Duty, Longitudinal Slotted grate - Class E
-LG-4-13	Ductile Iron, Galvanized, Extra Heavy Duty, Longitudinal Slotted grate - Class E
-4-13	Ductile Iron, Galvanized, Extra Heavy Duty, Slotted grate - Class E
-4-3	Ductile Iron, Extra Heavy Duty Slotted grate with Stainless Steel Veneer - Class E (must order together with Steel frame with Stainless Steel veneer. Part # for assembly is T1400-PFO-TA-3 with open frame. (39.40" long steel frame with S.S. veneer and two D.I. grates with S.S. veneer)
-LG-4-3	Ductile Iron, Extra Heavy Duty Longitudinal Slotted grate with Stainless Steel veneer (must order together with Steel frame with Stainless Steel Veneer - Class E) Part # for assembly is T1400-LG-PFO-TA-3 with open frame. (39.40" long steel frame with S.S. veneer and two D.I. grates with S.S. veneer)

Fabricated Grates (Must use frame with grates - Load Class C and greater)	
Suffix	Description
-AWG	Aluminum wire grate - Class A, 40" long
-CDA	Stainless Steel, Circular Decorative grate - Class A, 40" long
-DDA	Stainless Steel, Diagonal Decorative grate - Class A, 40" long
-SSDA	Stainless Steel, Decorative grate - Class A, 40" long
-DSG	Steel, Diagonal Decorative grate - Class A, 40" long
-DWG	Steel, Decorative wave grate - Class A, 40" long
-FSGA	Galvanized Steel, Fabricated Slotted grate - Class A, 40" long
-FS	Stainless Steel, Fabricated Slotted grate - Class A, 40" long
-HPSS	Stainless Steel, Fabricated Heel Proof Slotted grate - Class A, 40" long
-HPP	Polypropylene, Heel Proof Slotted grate - Class A, 20" long (grate is a black color)
-HPP-TAN	Polypropylene, Heel Proof Slotted grate - Class A, 20" long (grate is a tan color)
-HPP-GREY	Polypropylene, Heel Proof Slotted grate - Class A, 20" long (grate is a grey color)
-PGG	Galvanized Steel, Fabricated Perforated grate - Class A, 40" long
Fabricated Grates (Must use frame with grates - Load Class C and greater) (See pages 33-35 for additional grate information)	
Suffix	Description
-PS	Stainless Steel, Fabricated Perforated grate - Class A, 40" long
-PHPP	Heel Proof Polypropylene, Perforated, Light Duty - Class A, 20" long (grate is a black color)
-SSWG	Stainless Steel, Fabricated Wire grate - Class A, 40" long
-SDG	Steel, Fabricated Decorative grate - Class B, 40" long
-LGHP	Steel, Fabricated Heel Proof Longitudinal grate - Class B, 40" long
-FSB	Galvanized Steel, Fabricated Reinforced Slotted grate - Class B, 40" long
-CDB	Stainless Steel, Circular Decorative grate - Class B, 40" long

-DDB	Stainless Steel, Diagonal Decorative grate - Class B, 40" long
-SSDB	Stainless Steel, Decorative grate - Class B, 40" long
-RFS	Stainless Steel, Fabricated Reinforced Slotted grate - Class B, 40" long
-RG	Galvanized Steel, Reinforced Perforated grate - Class B, 40" long
-RPS	Stainless Steel, Fabricated Reinforced Perforated grate - Class B, 40" long
-SBG	Stainless Steel, Fabricated Bar grate - Class B, 40" long
-SBGGS	Galvanized Steel, Fabricated Slotted Bar grate - Class C, 40" long
-SBGST	Steel, Fabricated Slotted Bar grate - Class C, 40" long
-CDC	Steel, Fabricated Circular Decorative grate - Class C, 40" long
-SC	Steel, Fabricated Solid Cover - Class E, 40" long

Frames	
Suffix	Description
-HD	Extra H.D. 1 meter long angle iron steel frame assembly with anchor studs
-HD-13	Extra H.D. 1 meter long galvanized angle iron steel frame assembly with anchor studs
-HD-3	Extra H.D. 1 meter long angle iron steel frame assembly with S.S. veneer and anchor studs
-SVF	Type 304 stainless steel plastic body veneer, 2 pieces, 1 meter long Stainless Steel frame veneers, open frame for pedestrian traffic only. Load Class A. To be placed over top edges of T1400 body.
End caps / Outlets / Accessories	
Suffix	Description
-PEC	Includes the T1400-PEC-30 end cap, two pieces of body clips (T1400-CLIP) and one finish cap (T1400-PEFC)
-PEFC	Top Finishing cap (always included with the T1400-PEC-30 Closed end cap)
-PE4	Includes the T1400-PE04-30 end outlet, two pieces of body clips (T1400-CLIP) and one finish cap (T1400-PEFC)
-PB4	Combination 3" or 4" Polypropylene No Hub bottom outlet
Standard	Support board (one per body always included)
-PBDS	Bottom dome strainer
Standard	Connecting Clips (to connect bodies together)
Standard	3 1/2" long grate lockdown hardware
-	3 1/2" long Stainless Steel grate lockdown hardware (per grate)
-PGLVP	3 1/2" long vandal resistant grate lockdown hardware (per grate)
Fabrications	
Suffix	Description
-CUT	Cutting / per cut - Net Price only
-TEE	Polypropylene tee (available in T1400N-TEE, T1405N-TEE, T1410N-TEE and T1415N-TEE models)
-45	45s (available in T1400N-45, T1405N-45, T1410N-45 and T1415N-45 models)
-90	90s (available in T1400N-90, T1405N-90, T1410N-90 and T1415N-90 models)
-SOF	Side Outlet Fabrication
-CF	Cross Fabrication

CALIFORNIA PROPOSITION 65 WARNING. This product contains chemicals known to the State of California to cause cancer and birth defects or other reproductive harm.

Job Name: \_\_\_\_\_  
 Section No: \_\_\_\_\_  
 Schedule No: \_\_\_\_\_

Page No: \_\_\_\_\_  
 Contractor: \_\_\_\_\_  
 Purchase Order No: \_\_\_\_\_