



BRADFORD WHITE[®]
W A T E R H E A T E R S

COMMERCIAL ELECTRIC REPLACEMENT PARTS LIST
MII Contactor Models
MII Surface Models

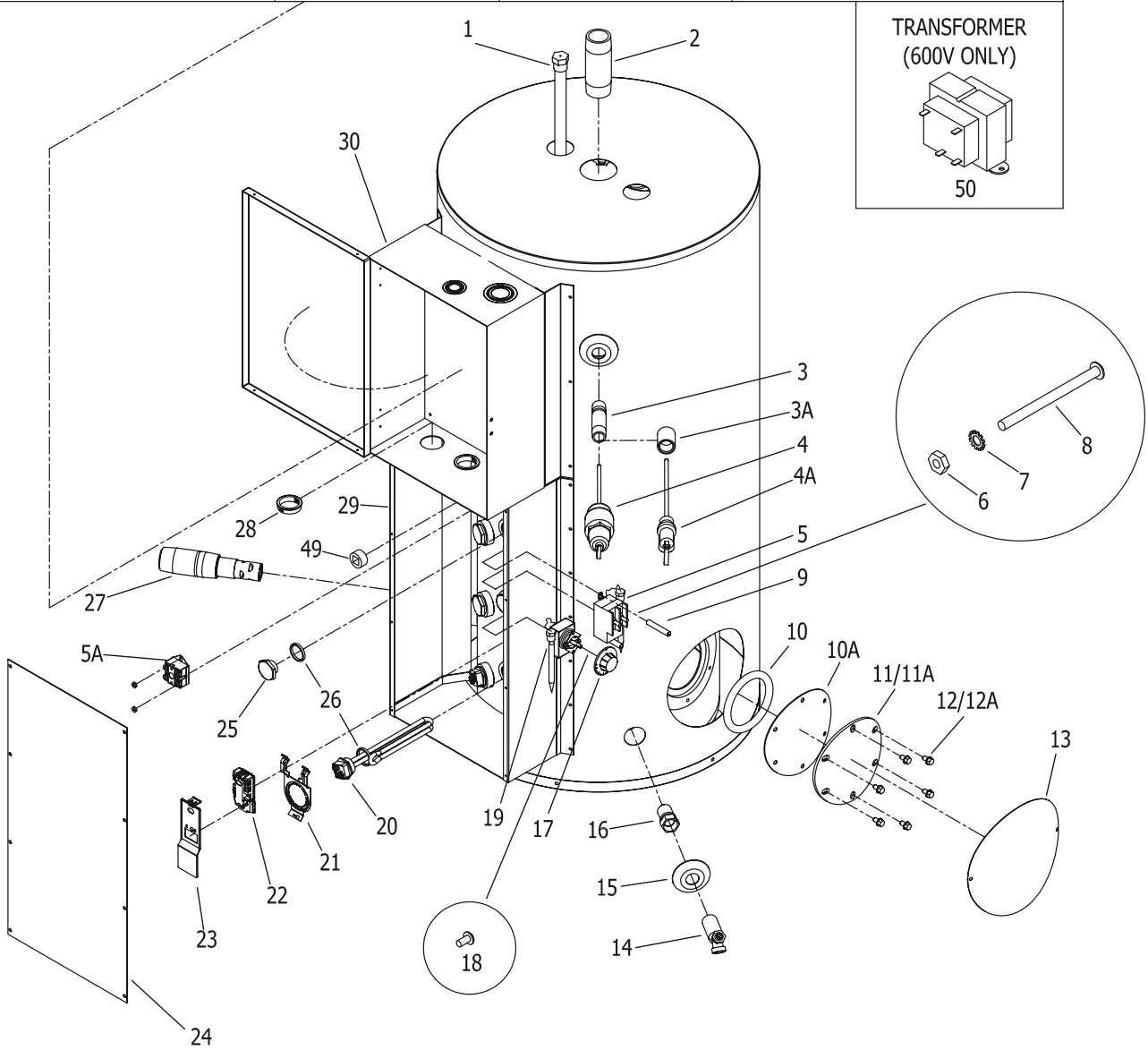
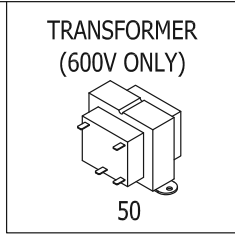
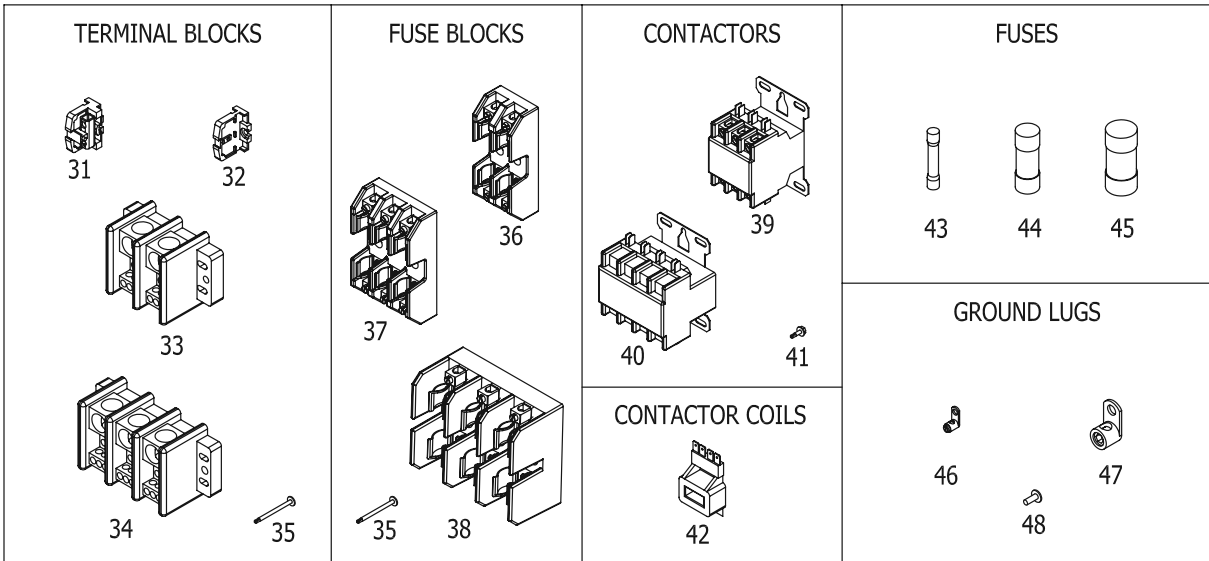


Includes Hydrojet[®]
Total Performance System

Effective: April, 2012

**NOTE: BOTH MODEL AND SERIAL
NUMBERS ARE REQUIRED FOR
ORDERING REPLACEMENT PARTS**

Dimensions and specifications
subject to change without notice.



| Item | Description | Model | Model | Model |
|------|---|-----------------------|-----------------------|-----------------------|
| | | MII50(A) | MII80(A) | MII120(A) |
| 1 | Magnesium Anode Rod | 224-32758-15 (Qty. 2) | 224-32758-14 (Qty. 2) | 224-32758-14 (Qty. 2) |
| | Aluminum Anode Rod | 224-38508-03 (Qty. 2) | 224-38508-07 (Qty. 2) | 224-38508-07 (Qty. 2) |
| | A420 Aluminum Anode Rod# | 224-49559-04 | 224-49559-04 | 224-49559-04 |
| 2 | Nipple-Plastisert 1 1/2 X 5 | 229-40913-06 | 229-40913-06 | 229-40913-06 |
| 3 | Nipple-Plastisert 3/4 X 4 | 229-32762-09 | 229-32762-09 | 229-32762-09 |
| 3A | Coupling-3/4 X 1-5/8 | 239-46679-00 | 239-46679-00 | 239-46679-00 |
| 4 | T&P Relief Valve 30 Kw & Above (Female Threads) | 230-30246-00 | 230-30246-00 | 230-30246-00 |
| 4A | T&P Relief Valve Thru 27Kw (Male Threads) | 230-32920-04 | 230-32920-04 | 230-32920-04 |
| 5 | High Limit Switch** | 264-33461-00 | 264-33461-00 | 264-33461-00 |
| 5A | High Limit Switch ▲ | 219-47205-00 | 219-47205-00 | 219-47205-00 |
| 6 | Hex Nut-#10-32** | 239-34049-00 | 239-34049-00 | 239-34049-00 |
| 7 | External Tooth Washer #10** | 239-81540-00 | 239-81540-00 | 239-81540-00 |
| 8 | Screw-#10-32 X 2 1/2** | 239-34048-00 | 239-34048-00 | 239-34048-00 |
| 9 | High Limit Spacer | 264-34190-00 (Qty. 2) | 264-34190-00 (Qty. 2) | 264-34190-00 (Qty. 2) |
| 10 | Cleanout Gasket (O-Ring) | 205-18427-00 | 205-18427-00 | 205-18427-00 |
| 10A | Cleanout Gasket (ASME) | 205-32942-00 | 205-32942-00 | 205-32942-00 |
| 11 | Cleanout Cover | 205-18428-00 | 205-18428-00 | 205-18428-00 |
| 11A | Cleanout Cover (ASME) | 205-32941-00 | 205-32941-00 | 205-32941-00 |
| 12 | Cleanout Screw-5/16-18 X 1/2 | 239-82166-00 (Qty. 6) | 239-82166-00 (Qty. 6) | 239-82166-00 (Qty. 6) |
| 12A | Cleanout Screw (ASME)-5/16-18 X 3/4 | 239-32970-00 (Qty. 6) | 239-32970-00 (Qty. 6) | 239-32970-00 (Qty. 6) |
| 13 | Jacket Cleanout Cover | 243-20299-00 | 243-20299-00 | 243-20299-00 |
| 14 | Brass Drain Valve | 265-42351-02 | 265-42351-02 | 265-42351-02 |
| 15 | Finished Flange-2 7/8 O.D. | 239-41414-00 | 239-41414-00 | 239-41414-00 |
| 16 | Extender-3/4 X 2 | 229-19100-00 | 229-19100-00 | 229-19100-00 |
| 17 | Thermostat Dial** | 264-33459-00 | 264-33459-00 | 264-33459-00 |
| 18 | Screw-#6-32 X 1/4** | 264-81722-00 (Qty. 2) | 264-81722-00 (Qty. 2) | 264-81722-00 (Qty. 2) |
| 19 | Immersion Thermostat** | 264-33460-00 | 264-33460-00 | 264-33460-00 |
| 20 | Heating Element | See Element Table | See Element Table | See Element Table |
| 21 | Surface Thermostat Bracket* | 239-44479-00 | 239-44479-00 | 239-44479-00 |
| 22 | Surface Thermostat* | 219-41375-00 | 219-41375-00 | 219-41375-00 |
| | Surface Thermostat (Low Temp)* | 219-82155-00 | 219-82155-00 | 219-82155-00 |
| | Surface Thermostat (59T) ▲ | 219-47185-00 | 219-47185-00 | 219-47185-00 |
| 23 | Surface Thermostat Cover* | 223-40399-00 | 223-40399-00 | 223-40399-00 |
| 24 | Lower Box Cover | 239-82134-01 | 239-82134-01 | 239-82134-01 |
| 25 | Heating Element Plug | 223-34020-00 | 223-34020-00 | 223-34020-00 |
| 26 | Heating Element Gasket | 223-34019-00 | 223-34019-00 | 223-34019-00 |
| 27 | Cold Water Inlet Nipple | 229-44731-00 | 229-44731-00 | 229-44731-00 |
| 28 | Plastic Snap Bushing | 239-31428-00 (Qty. 3) | 239-31428-00 (Qty. 3) | 239-31428-00 (Qty. 3) |
| 29 | Lower Box | 239-82129-01 | 239-82129-01 | 239-82129-01 |
| 30 | Upper Box (Small) | 239-44437-01 | 239-44437-01 | 239-44437-01 |
| | Upper Box (Large) | 239-44438-00 | 239-44438-00 | 239-44438-00 |
| 31 | Terminal Block (Block A) | 264-32240-00 | 264-32240-00 | 264-32240-00 |
| 32 | Terminal Block End (Use for Block A) | 264-32241-00 | 264-32241-00 | 264-32241-00 |
| 33 | Terminal Block 2 Pole (310A) | 264-32244-00 | 264-32244-00 | 264-32244-00 |
| | Terminal Block 2 Pole (420A) | 264-46706-00 | 264-46706-00 | 264-46706-00 |
| 34 | Terminal Block 3 Pole (310A) | 264-32245-00 | 264-32245-00 | 264-32245-00 |
| 35 | Screw-#8-18 X 1 1/2 | 264-34197-00 | 264-34197-00 | 264-34197-00 |
| 36 | Fuse Block 2 Pole G Class (60A, 480V) | 264-32263-00 | 264-32263-00 | 264-32263-00 |
| | Fuse Block 2 Pole T Class (30A, 600V) ▲▲ | 264-41974-01 | 264-41974-01 | 264-41974-01 |
| 37 | Fuse Block 3 Pole G Class (60A, 480V) | 264-32264-00 | 264-32264-00 | 264-32264-00 |
| 38 | Fuse Block 3 Pole J Class (30A, 600V) | 264-32265-00 | 264-32265-00 | 264-32265-00 |
| | Fuse Block 3 Pole J Class (60A, 600V) | 264-32266-00 | 264-32266-00 | 264-32266-00 |
| | Fuse Block 3 Pole T Class (30A, 600V) ▲▲ | 264-42568-00 | 264-42568-00 | 264-42568-00 |
| 39 | Contactors 3 Pole (35A) | 264-32235-00 | 264-32235-00 | 264-32235-00 |
| | Contactors 3 Pole (35A) ▲▲ | 264-41988-01 | 264-41988-01 | 264-41988-01 |
| | Contactors 3 Pole (50A) | 264-32237-00 | 264-32237-00 | 264-32237-00 |
| 40 | Contactors 4 Pole (35A) | 264-32236-00 | 264-32236-00 | 264-32236-00 |
| | Contactors 4 Pole (50A) | 264-32238-00 | 264-32238-00 | 264-32238-00 |
| 41 | Screw-#8-18 X 1/2 | 239-32761-00 | 239-32761-00 | 239-32761-00 |
| 42 | Contactors Coil (480V) | 264-32239-00 | 264-32239-00 | 264-32239-00 |
| | Contactors Coil (277V) | 264-33428-00 | 264-33428-00 | 264-33428-00 |

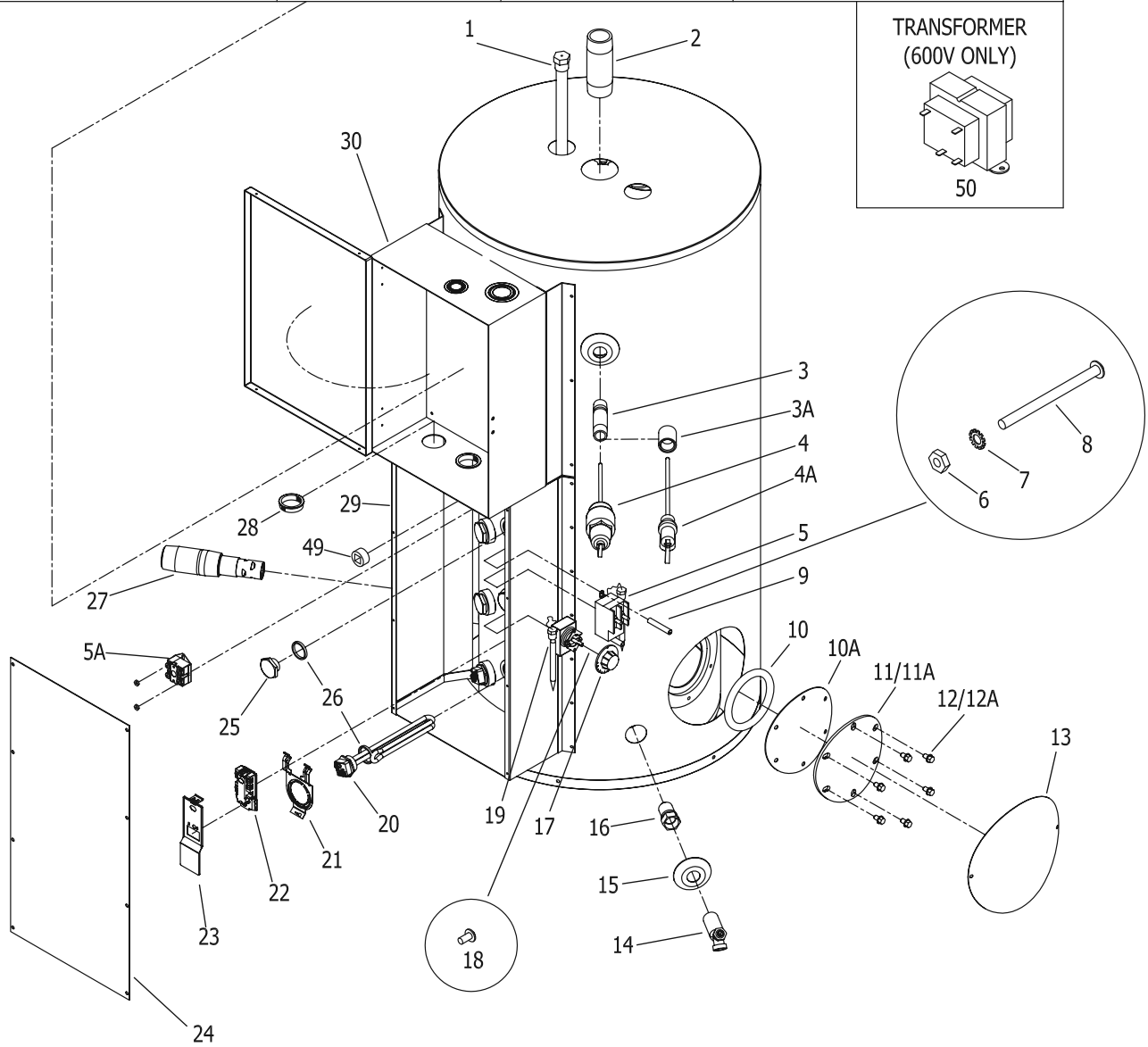
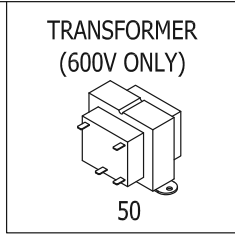
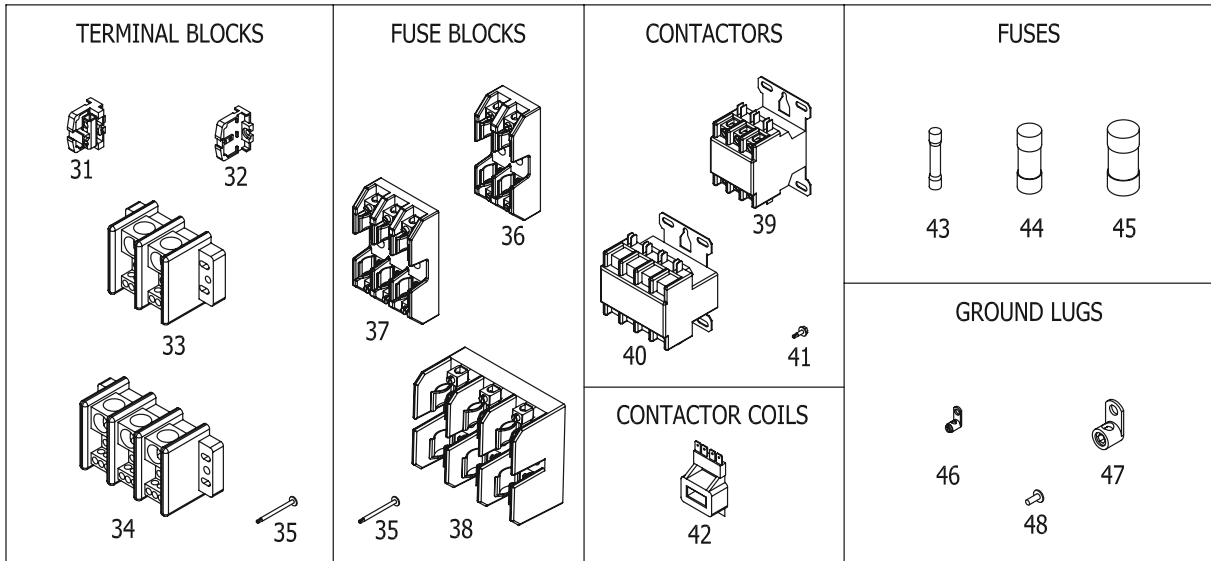
* Used on Surface Mounted Thermostat Models Only (example: MII120123SF16)

** Used on Immersion Thermostat Models Only (example: MII120123CF16)

A420 Anode may need to be cut to length

▲ Used on 600V Contactors with Surface Mounted Thermostat Models Only. (example: MII120123SCFDL123-866)

▲▲ Used on 600V Models Only



| Item Description | Model | Model | Model |
|--|--------------|--------------|--------------|
| | MII50(A) | MII80(A) | MII120(A) |
| 43 Fuse G Class (40A) | 264-32267-00 | 264-32267-00 | 264-32267-00 |
| Fuse G Class (50A) | 264-32268-00 | 264-32268-00 | 264-32268-00 |
| Fuse G Class (60A) | 264-32269-00 | 264-32269-00 | 264-32269-00 |
| 44 Fuse J Class (30A) | 264-32270-00 | 264-32270-00 | 264-32270-00 |
| 45 Fuse J Class (40A) | 264-32271-00 | 264-32271-00 | 264-32271-00 |
| Fuse J Class (50A) | 264-32272-00 | 264-32272-00 | 264-32272-00 |
| Fuse T Class (1A) ▲▲ | 264-41976-04 | 264-41976-04 | 264-41976-04 |
| Fuse T Class (30A) ▲▲ | 264-41976-01 | 264-41976-01 | 264-41976-01 |
| 46 Ground Lug (Small-Wire Range 14-8) | 264-32251-00 | 264-32251-00 | 264-32251-00 |
| 47 Ground Lug (Large-Wire Range 8-1/0) | 264-32250-00 | 264-32250-00 | 264-32250-00 |
| 48 Screw-#10-32 X 1/2 | 239-33938-00 | 239-33938-00 | 239-33938-00 |
| 49 3/4 NPT Plug (Square Socket)* | 239-11638-00 | 239-11638-00 | 239-11638-00 |
| 50 Transformer 120V ▲▲ | 264-41996-00 | 264-41996-00 | 264-41996-00 |

* Used on Surface Mounted Thermostat Models Only (example: MII120123SF16)

** Used on Immersion Thermostat Models Only (example: MII120123CF16)

▲ Used on 600V Contactors with Surface Mounted Thermostat Models Only. (example: MII120123SCFDL123-866)

▲▲ Used on 600V Models Only

Heating Elements (Copper)

| Wattage | 208 Volt | 240 Volt | 277 Volt | 380 Volt | 415 Volt | 480 Volt |
|---------|--------------|--------------|--------------|--------------|--------------|--------------|
| 2000W | 220-42544-04 | 220-42544-03 | 220-42546-09 | 220-42548-04 | 220-42550-10 | 220-42552-09 |
| 3000W | 220-42544-14 | 220-42544-15 | 220-42546-04 | 220-42550-09 | 220-42550-11 | 220-42552-04 |
| 4000W | 220-42544-11 | 220-42544-14 | 220-42546-05 | 220-42550-03 | 220-42550-07 | 220-42552-05 |
| 4500W | 220-42544-12 | 220-42544-08 | 220-42546-06 | 220-42550-04 | 220-42550-02 | 220-42552-06 |
| 5000W | 220-42542-02 | 220-42544-10 | 220-42546-07 | 220-42550-05 | 220-42550-03 | 220-42552-07 |
| 6000W | 220-42542-04 | 220-42544-12 | 220-42546-08 | 220-42548-02 | 220-42550-05 | 220-42552-08 |

Heating Elements (Incoloy)

| Wattage | 208 Volt | 240 Volt | 277 Volt | 380 Volt | 415 Volt | 480 Volt | 600 Volt |
|---------|--------------|--------------|--------------|--------------|--------------|--------------|--------------|
| 2000W | 220-42545-14 | 220-42545-02 | 220-42547-07 | 220-42549-04 | 220-42551-12 | 220-42553-01 | 220-44340-01 |
| 3000W | 220-42545-12 | 220-42545-15 | 220-42547-08 | 220-42551-10 | 220-42551-13 | 220-42553-08 | 220-44340-02 |
| 4000W | 220-42545-09 | 220-42545-12 | 220-42547-03 | 220-42551-07 | 220-42551-05 | 220-42553-03 | 220-44340-03 |
| 4500W | 220-42545-10 | 220-42545-07 | 220-42547-04 | 220-42551-08 | 220-42551-06 | 220-42553-04 | 220-44340-04 |
| 5000W | 220-42543-01 | 220-42545-08 | 220-42547-09 | 220-42551-09 | 220-42551-07 | 220-42553-05 | 220-44340-05 |
| 6000W | 220-42543-03 | 220-42545-10 | 220-42547-06 | 220-42549-02 | 220-42551-09 | 220-42553-07 | 220-44340-06 |



BRADFORD WHITE®

W A T E R H E A T E R S

Ambler, PA

For U.S. and Canada field service,
contact your professional installer or
local Bradford White sales representative.

Sales/800-523-2931
Fax/215-641-1670
Parts Fax/215-641-2180

Technical Support/800-334-3393
Fax/269-795-1089

Warranty/800-531-2111
Fax/269-795-1089

International:
Telephone/215-641-9400
Telefax/215-641-9750



BRADFORD WHITE-CANADA® INC.

Mississauga, ON

Sales/866-690-0961
905-238-0100

Fax/905-238-0105

Technical Support/800-334-3393

Email

parts@bradfordwhite.com
techserv@bradfordwhite.com

www.bradfordwhite.com