

OBSERVE ALL LOCAL PLUMBING CODES

IMPORTANT: PLEASE READ THE FOLLOWING BEFORE BEGINNING INSTALLATION.

FOR RECESSED INSTALLATIONS ONLY.

Make sure bath is installed according to the instructions. Provide backing on each of the recessed walls for the nailing-in flange.

Aprons are installed after bath is leveled and installed and before finished wall is installed.

All information in these instructions is based on the latest product information available at the time of publication. Kohler Co. reserves the right to make changes in product characteristics, packaging, or availability at any time without notice.

INSTALLING OPTIONAL K-1495 APRON

1. After bath is leveled and set, apply the vinyl trim strip to the bath. Carefully apply a 1/16" bead of clear silicone adhesive (provided) onto the vinyl strip as illustrated. Apply vinyl strip to the underside of bath rim being careful to align the lip of the strip to the bath rim. (see inset). **IMMEDIATELY WIPE OFF ANY EXCESS SEALANT.**
2. Temporarily tack a nail in the top hole of the nailing-in flange on each side of the apron and ensure that the apron is positioned as close to the bath rim as possible.
3. Plumb the apron and secure the nailing-in flange using #6d large-head galvanized nails.
4. Complete installation by installing finished wall.

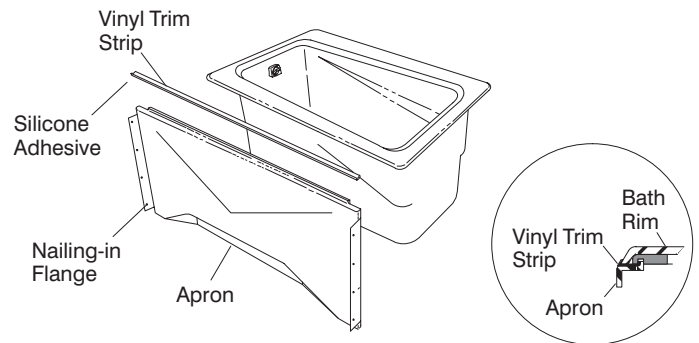


Fig.#1

INSTALLING OPTIONAL K-1515 APRON

1. After bath is leveled and set, apply the vinyl trim strip to the bath by doing the following:
 - Carefully apply a 1/16" wide bead of clear silicone adhesive (provided) onto the vinyl strip.
 - Apply vinyl trim strip to the underside of bath rim being careful to align the lip on the strip to the bath rim. **See Fig.#2 inset. REMOVE EXCESS SEALANT IMMEDIATELY.**
2. Tilt apron and carefully slip apron into groove on underside of rim.
3. Temporarily tack a nail in the top hole of the nailing-in flange on each side of the apron and ensure that the apron is positioned as close to the bath rim as possible.
4. Plumb the apron and secure the nailing-in flange using #6d large head galvanized nails.
5. Complete installation by installing finished wall.

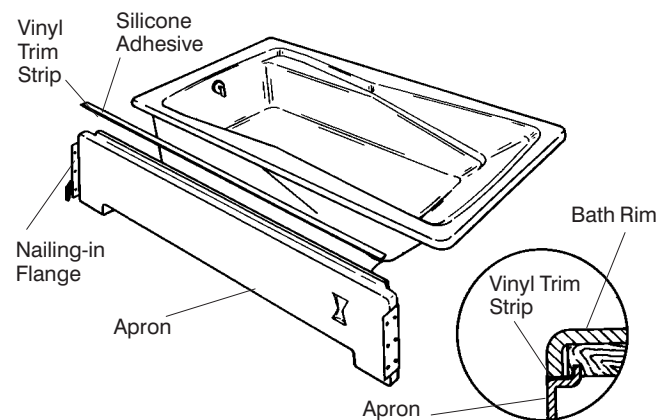


Fig.#2

WARRANTY

Please take a moment to familiarize yourself with the Kohler Warranty, its benefits, and limitations.

Kohler Co. and its distributors support you with one of the largest Service Networks of its type.

Here's what you need to do if you require service:

FIRST: Contact the dealer or contractor who sold and installed the product. They should be able to solve any problems you may have.

SECOND: If your dealer or contractor cannot solve the problem, they will contact or supply you with the name of the local Kohler Distributor and the:



**KOHLER TECHNICAL
SPECIALIST**

THIRD: If you are unable to obtain warranty service through either your contractor or Kohler Co. distributor, please write us directly Kohler Co., Attn: Customer Service Department, 444 Highland Drive, Kohler, WI 53044 USA.

FOURTH: Include all pertinent information regarding your claim, including a complete description of the product, model numbers, colors, finishes, and the date the product was installed. Include a description of the problem, and a photocopy of your invoice for the products involved. Also give us the name of the contractor and distributor.

LIMITED ONE-YEAR WARRANTY

Kohler plumbing fixtures and fittings are warranted free of manufacturing defects.

Kohler Co. will at its election, repair, replace, or make appropriate adjustment where Kohler Co. inspection discloses any such defects occurring in normal usage within one year after installation. **Kohler Co. is not responsible for installation costs.**

To obtain warranty service, contact Kohler Co. either through your Dealer or Plumbing Contractor or by writing Kohler Co., Attn: Customer Service Department, 444 Highland Drive, Kohler, Wisconsin 53044 U.S.A., or by calling **1-800-4-KOHLER** from within the USA

Implied warranties, including that of merchantability and fitness for a particular purpose, are expressly limited in duration to the duration of this warranty. To the extent permitted by law, Kohler Co. disclaims all implied warranties including merchantability and fitness for a particular purpose. Kohler Co. disclaims any liability for special, incidental, or consequential damages.

Some states do not allow limitations on how long an implied warranty lasts, or the exclusion or limitation of incidental or consequential damages, so this limitation and exclusion may not apply to you. This warranty gives you specific legal rights. You may also have other rights which vary from state to state.

This is our exclusive written warranty.

KOHLER CO, KOHLER, WISCONSIN 53044