



**BRADFORD WHITE**<sup>®</sup>  
W A T E R   H E A T E R S

**REPLACEMENT PARTS LIST**  
**Residential Electric**  
**Upright & Lowboy Models**

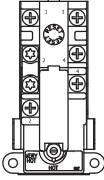
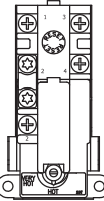
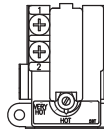


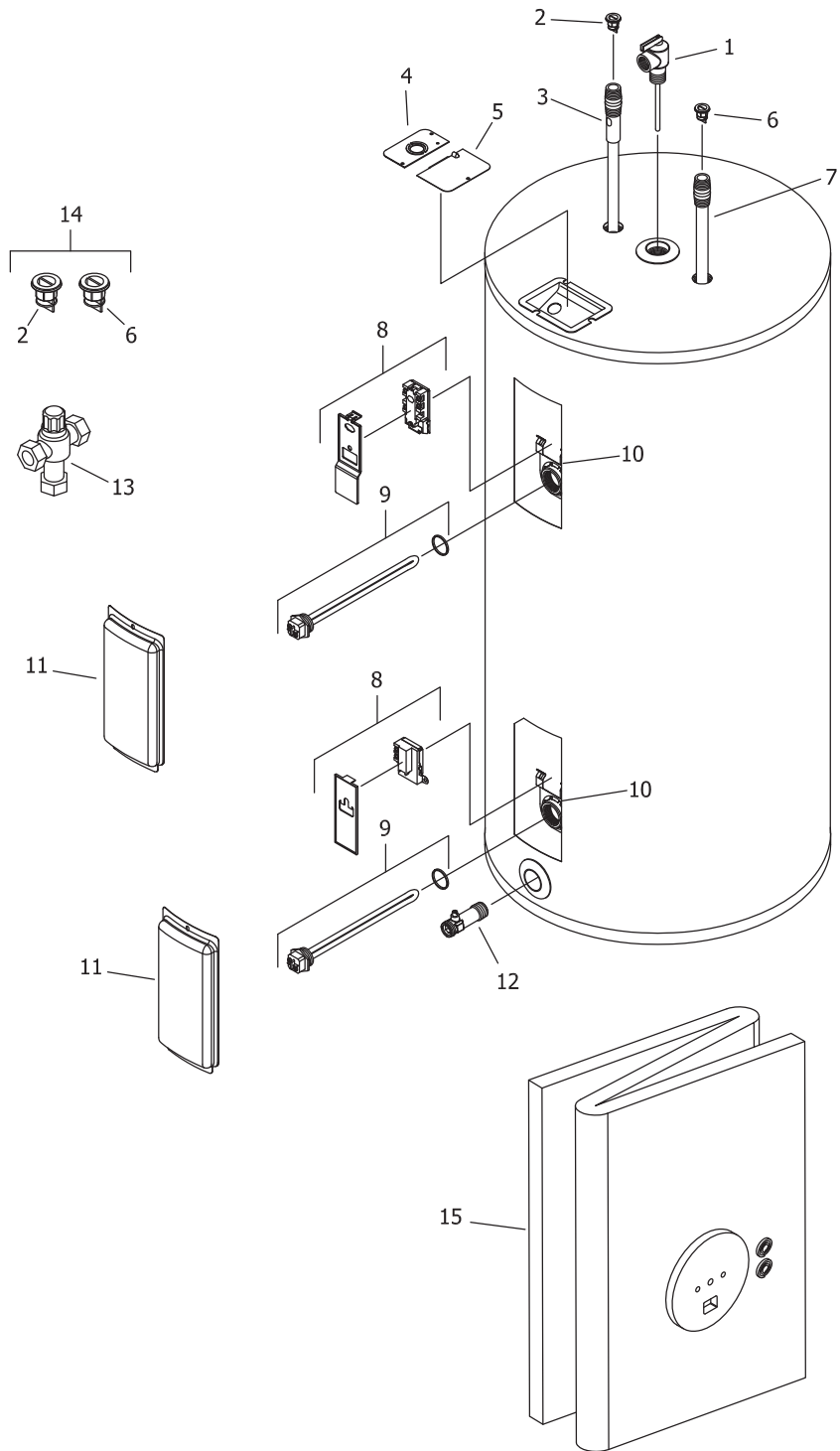
Includes Hydrojet<sup>®</sup>  
Total Performance System

***Effective: April, 2015***  
***ECO 7950***

**NOTE: BOTH MODEL AND SERIAL  
NUMBERS ARE REQUIRED FOR  
ORDERING REPLACEMENT PARTS**

Dimensions and specifications  
subject to change without notice.

|   |
|---|
| <p><b>TOP LOCATION</b></p> <ul style="list-style-type: none"> <li>● Double element water heater, non-simultaneous single phase and three phase operation.</li> </ul> <p>59T66T</p>   |
| <p><b>TOP LOCATION</b></p> <ul style="list-style-type: none"> <li>● Double element water heater, simultaneous operation.</li> </ul> <p><b>BOTTOM LOCATION</b></p> <ul style="list-style-type: none"> <li>● Single element water heater.</li> <li>● Double element water heater, non-simultaneous three phase operation.</li> <li>● Double element water heater, simultaneous operation.</li> </ul> <p>59T66T</p>  |
| <p><b>BOTTOM LOCATION</b></p> <ul style="list-style-type: none"> <li>● Double element water heater, non-simultaneous single phase operation</li> </ul> <p>59T</p>    |



| Item | Description   | Model<br>RE240S | Model<br>RE250S | Model<br>RE330S | Model<br>RE340S | Model<br>RE350S |
|------|---|-----------------|-----------------|-----------------|-----------------|-----------------|
| 1    | T&P Relief Valve  | 230-40594-02    | 230-40594-02    | 230-40594-02    | 230-40594-02    | 230-40594-02    |
| 2    | Heat Trap Insert (Outlet)                               | 239-45167-00    | 239-45167-00    | 239-45167-00    | 239-45167-00    | 239-45167-00    |
| 3    | Hot Water Outlet Anode (Magnesium) ♦#                   | 224-47776-19    | 224-47776-19    | 224-47776-19    | 224-47776-19    | 224-47776-19    |
|      | Hot Water Outlet Anode (Aluminum) ♦#                    | 224-32999-42    | 224-32999-42    | 224-32999-42    | 224-32999-42    | 224-32999-42    |
|      | Hot Water Outlet Anode (A420 Aluminum) ♦#               | 224-49560-08    | 224-49560-08    | 224-49560-08    | 224-49560-08    | 224-49560-08    |
| 4    | Cover Conduit/Ground                                    | 243-39451-00    | 243-39451-00    | 243-39451-00    | 243-39451-00    | 243-39451-00    |
| 5    | Cover Junction box                                      | 243-39452-00    | 243-39452-00    | 243-39452-00    | 243-39452-00    | 243-39452-00    |
| 6    | Heat Trap Insert (Inlet)                                | 239-51556-00    | 239-51556-00    | 239-51556-00    | 239-51556-00    | 239-51556-00    |
| 7    | Cold Water Inlet Tube PEX ♦♦                            | 229-51230-21    | 229-51230-21    | 229-51230-21    | 229-51230-21    | 229-51230-21    |
| 8    | Upper Thermostat with High Limit (59T66) & protector ▲■ | 265-51046-00    | 265-51046-00    | 265-51046-00    | 265-51046-00    | 265-51046-00    |
|      | Lower Thermostat (59T) w/ protector ▲■                  | 265-51046-00    | 265-51046-00    | 265-51046-00    | 265-51046-00    | 265-51046-00    |
| 9    | Heating Element 240V 4500W w/ gasket* (qty 2)           | 265-48642-00    | 265-48642-00    | 265-48642-00    | 265-48642-00    | 265-48642-00    |
| 10   | Thermostat Mounting Bracket                             | 239-50689-00    | 239-50689-00    | 239-50689-00    | 239-50689-00    | 239-50689-00    |
| 11   | Access Cover  | 243-36618-02    | 243-36618-02    | 243-36618-02    | 243-36618-02    | 243-36618-02    |
| 12   | Drain Valve   | 265-51684-01    | 265-51684-01    | 265-51684-02    | 265-51684-02    | 265-51684-02    |
| 13   | ASSE Approved Mixing Valve                              | 239-43740-01    | 239-43740-01    | 239-43740-01    | 239-43740-01    | 239-43740-01    |
| 14   | Kit-Heat Trap Insert                                    | 265-51572-00    | 265-51572-00    | 265-51572-00    | 265-51572-00    | 265-51572-00    |
| 15   | Blanket Kit   | 239-50210-01    | 239-50210-02    | -----           | -----           | -----           |

♦ Order with item 2.

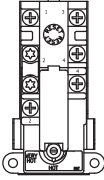
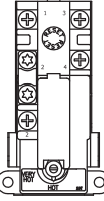
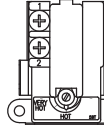
♦♦ Order with item 6.

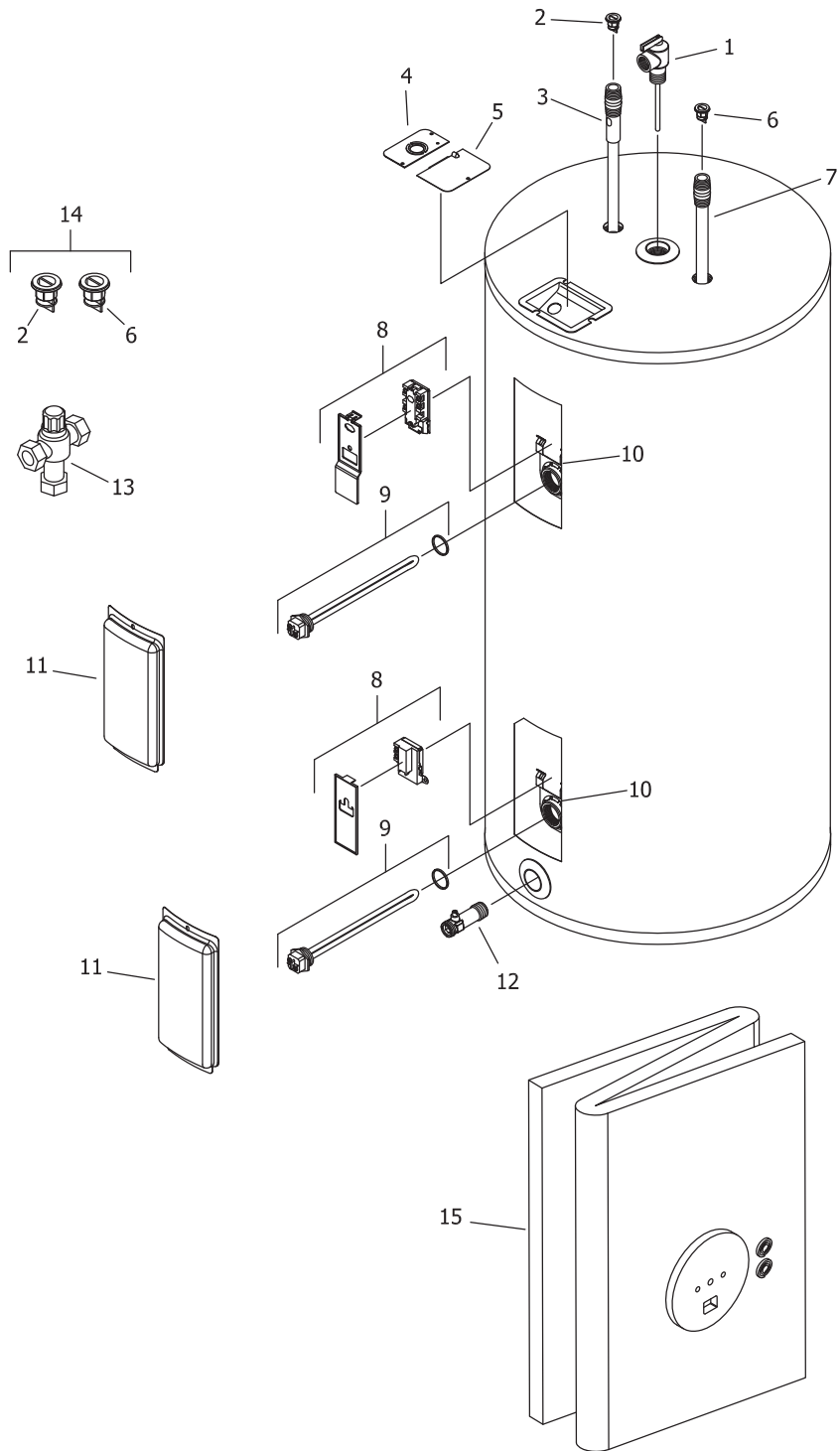
▲ Thermostat protector provided with thermostat.

\* For other voltage and wattage combinations, refer to heating elements on page 8 & 9.

■ Upper and lower thermostats are packaged together.

# Anodes may need to be cut to length

|   |
|---|
| <p><b>TOP LOCATION</b></p> <ul style="list-style-type: none"> <li>● Double element water heater, non-simultaneous single phase and three phase operation.</li> </ul> <p>59T66T</p>   |
| <p><b>TOP LOCATION</b></p> <ul style="list-style-type: none"> <li>● Double element water heater, simultaneous operation.</li> </ul> <p><b>BOTTOM LOCATION</b></p> <ul style="list-style-type: none"> <li>● Single element water heater.</li> <li>● Double element water heater, non-simultaneous three phase operation.</li> <li>● Double element water heater, simultaneous operation.</li> </ul> <p>59T66T</p>  |
| <p><b>BOTTOM LOCATION</b></p> <ul style="list-style-type: none"> <li>● Double element water heater, non-simultaneous single phase operation</li> </ul> <p>59T</p>    |



| Item | Description   | Model        | Model        |
|------|---|--------------|--------------|
|      |   | RE340T       | RE350T       |
| 1    | T&P Relief Valve  | 230-40594-02 | 230-40594-02 |
| 2    | Heat Trap Insert (Outlet)                               | 239-45167-00 | 239-45167-00 |
| 3    | Hot Water Outlet Anode (Magnesium) ♦#                   | 224-47776-19 | 224-47776-19 |
|      | Hot Water Outlet Anode (Aluminum) ♦#                    | 224-32999-42 | 224-32999-42 |
|      | Hot Water Outlet Anode (A420 Aluminum) ♦#               | 224-49560-08 | 224-49560-08 |
| 4    | Cover Conduit/Ground                                    | 243-39451-00 | 243-39451-00 |
| 5    | Cover Junction box                                      | 243-39452-00 | 243-39452-00 |
| 6    | Heat Trap Insert (Inlet)                                | 239-51556-00 | 239-51556-00 |
| 7    | Cold Water Inlet Tube PEX ♦♦                            | 229-51230-28 | 229-51558-01 |
| 8    | Upper Thermostat with High Limit (59T66) & protector ▲■ | 265-51046-00 | 265-51046-00 |
|      | Lower Thermostat (59T) w/ protector ▲■                  | 265-51046-00 | 265-51046-00 |
| 9    | Heating Element 240V 4500W w/ gasket * (qty 2)          | 265-48642-00 | 265-48642-00 |
| 10   | Thermostat Mounting Bracket                             | 239-50689-00 | 239-50689-00 |
| 11   | Access Cover  | 243-36618-02 | 243-36618-02 |
| 12   | Brass Drain Valve                                       | 265-51684-02 | 265-51684-02 |
| 13   | ASSE Approved Mixing Valve                              | 239-43740-01 | 239-43740-01 |
| 14   | Kit-Heat Trap Insert                                    | 265-51572-00 | 265-51572-00 |
| 15   | Blanket Kit   | -----        | -----        |

♦ Order with item 2.

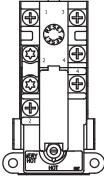
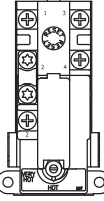
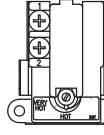
♦♦ Order with item 6.

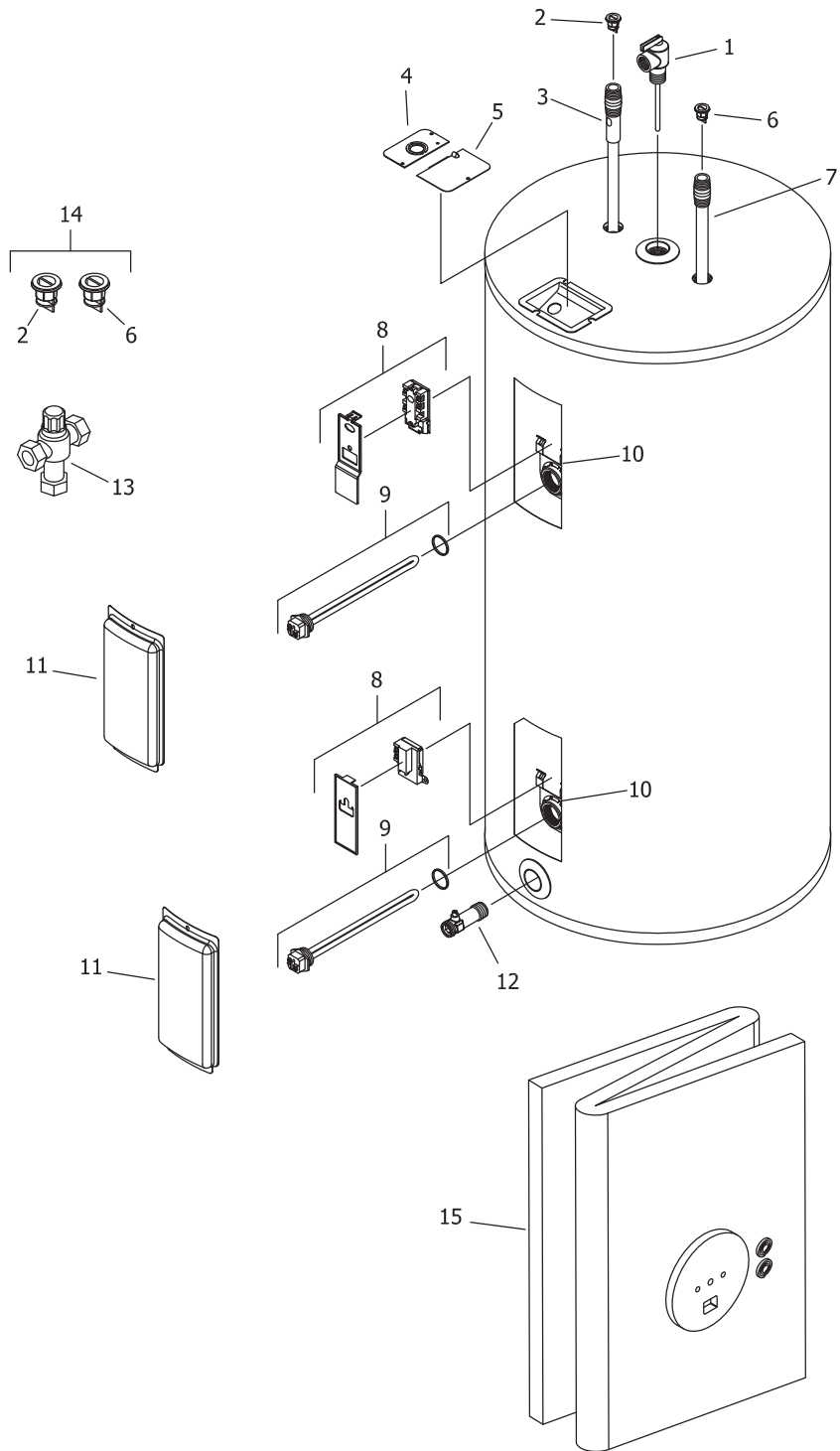
▲ Thermostat protector provided with thermostat.

\* For other voltage and wattage combinations, refer to heating elements on page 8 & 9.

■ Upper and lower thermostats are packaged together.

# Anodes may need to be cut to length

|   |
|---|
| <p><b>TOP LOCATION</b></p> <ul style="list-style-type: none"> <li>● Double element water heater, non-simultaneous single phase and three phase operation.</li> </ul> <p>59T66T</p>   |
| <p><b>TOP LOCATION</b></p> <ul style="list-style-type: none"> <li>● Double element water heater, simultaneous operation.</li> </ul> <p><b>BOTTOM LOCATION</b></p> <ul style="list-style-type: none"> <li>● Single element water heater.</li> <li>● Double element water heater, non-simultaneous three phase operation.</li> <li>● Double element water heater, simultaneous operation.</li> </ul> <p>59T66T</p>  |
| <p><b>BOTTOM LOCATION</b></p> <ul style="list-style-type: none"> <li>● Double element water heater, non-simultaneous single phase operation</li> </ul> <p>59T</p>    |



| Item | Description  | Model<br>RE120L | Model<br>RE230L | Model<br>RE240L | Model<br>RE250L |
|------|--|-----------------|-----------------|-----------------|-----------------|
| 1    | T&P Relief Valve   | 230-40594-02    | 230-40594-02    | 230-40594-02    | 230-40594-02    |
| 2    | Heat Trap Insert (Outlet)                                | -----           | 239-45167-00    | 239-45167-00    | 239-45167-00    |
| 3    | Hot Water Outlet Anode (Magnesium) ♦#                    | 224-47776-19    | 224-47776-19    | 224-47776-19    | 224-47776-19    |
|      | Hot Water Outlet Anode (Aluminum) ♦#                     | 224-32999-42    | 224-32999-42    | 224-32999-42    | 224-32999-42    |
|      | Hot Water Outlet Anode (A420 Aluminum) ♦#                | 224-49560-08    | 224-49560-08    | 224-49560-08    | 224-49560-08    |
| 4    | Cover Conduit/Ground                                     | 243-39451-00    | 243-39451-00    | 243-39451-00    | 243-39451-00    |
| 5    | Cover Junction box                                       | 243-39452-00    | 243-39452-00    | 243-39452-00    | 243-39452-00    |
| 6    | Heat Trap Insert (Inlet)                                 | -----           | 239-51556-00    | 239-51556-00    | 239-51556-00    |
| 7    | Cold Water Inlet Tube Pex ♦♦                             | 229-51230-01    | 229-51230-27    | 229-51230-27    | 229-51230-27    |
| 8    | Upper Thermostat with High Limit (59T66) w/ protector ▲■ | 265-51046-00    | 265-51046-00    | 265-51046-00    | 265-51046-00    |
|      | Lower Thermostat (59T) w/ protector ▲■                   | 265-51046-00    | 265-51046-00    | 265-51046-00    | 265-51046-00    |
|      | Lower Thermostat with High Limit (89T13) ▲               | 265-50691-00    | 265-50691-00    | 265-50691-00    | 265-50691-00    |
| 9    | Heating Element 240V 4500W w/ gasket* (qty 2)            | 265-48642-00    | 265-48642-00    | 265-48642-00    | 265-48642-00    |
| 10   | Thermostat Mounting Bracket                              | 239-50689-00    | 239-50689-00    | 239-50689-00    | 239-50689-00    |
| 11   | Access Cover   | 243-36618-02    | 243-36618-02    | 243-36618-02    | 243-36618-02    |
| 12   | Drain Valve  | 265-42351-03    | 265-51684-01    | 265-51684-01    | 265-51684-01    |
| 13   | ASSE Approved Mixing Valve                               | 239-43740-01    | 239-43740-01    | 239-43740-01    | 239-43740-01    |
| 14   | Kit-Heat Trap Insert                                     | -----           | 265-51572-00    | 265-51572-00    | 265-51572-00    |
| 15   | Blanket Kit  | -----           | 239-50210-03    | 239-50210-04    | 239-50210-05    |

♦ Order with item 2.

♦♦ Order with item 6.

▲ Thermostat protector provided with thermostat.

\* For other voltage and wattage combinations, refer to heating elements on page 8 & 9.

■ Upper and Lower thermostats are packaged together.

# Anodes may need to be cut to length

**Heating Elements (Copper) for:  
Residential Series (RE)  
Light Duty (LE) Commercial Series  
Medium Duty (E32) Commercial Series  
Commercial (MII) Series**

| Wattage          | 120 Volt     | 208 Volt     | 240 Volt     | 277 Volt     | 380 Volt     |
|------------------|--------------|--------------|--------------|--------------|--------------|
| 1000W ▲          | 265-42540-01 | 265-42544-01 | 265-42546-01 | N/A          | N/A          |
| 1250W ▲          | N/A          | N/A          | 265-42544-13 | N/A          | N/A          |
| 1500W ▲          | 265-42540-02 | 265-42544-03 | 265-42544-01 | 265-42546-01 | 265-42550-10 |
| 1500W (LWD) ▲    | 265-42540-03 | N/A          | 265-42544-02 | N/A          | N/A          |
| 2000W ▲          | 265-42540-04 | 265-42544-04 | 265-42544-03 | 265-42546-09 | 265-42548-04 |
| 2500W ▲          | 265-42540-05 | 265-42544-06 | 265-42544-04 | 265-42546-03 | 265-42550-11 |
| 3000W ▲          | 265-42540-07 | 265-42544-14 | 265-42544-15 | 265-42546-04 | 265-42550-09 |
| 3500W ▲▲         | N/A          | 265-51333-08 | 265-42544-06 | N/A          | 265-42550-06 |
| 3800W ▲▲         | N/A          | N/A          | 265-42546-07 | N/A          | N/A          |
| 4000W ▲▲         | N/A          | 265-42544-11 | 265-42544-14 | 265-42546-05 | 265-42550-03 |
| 4500W ▲▲         | N/A          | 265-42544-12 | 265-51333-08 | 265-42546-06 | 265-42550-04 |
| 4500W (LWD) ▲▲   | N/A          | N/A          | 265-51333-09 | N/A          | N/A          |
| 5000W ▲▲         | N/A          | 265-42542-02 | 265-42544-10 | 265-42546-07 | 265-42550-05 |
| 5500W ▲▲         | N/A          | 265-42542-03 | 265-42544-11 | N/A          | 265-42548-03 |
| 6000W ▲▲         | N/A          | 265-42542-04 | 265-42544-12 | 265-42546-08 | 265-42548-02 |
| Element gasket ^ | 265-34019-00 | 265-34019-00 | 265-34019-00 | 265-34019-00 | 265-34019-00 |
| Element plug     | 265-34020-00 | 265-34020-00 | 265-34020-00 | 265-34020-00 | 265-34020-00 |

(LWD) = Low Watt Density

▲ For 12" Diameter tanks and above.

▲▲ For 14" Diameter tanks and above.

\* For 16" Diameter tanks and above.

\*\* For 18" Diameter tanks and above.

^ Element gaskets should be ordered with elements.



**Heating Elements (Incoloy) for:  
Residential Series (RE)  
Light Duty (LE) Commercial Series  
Medium Duty (E32) Commercial Series  
Commercial (MII) Series**

| Wattage          | 120 Volt     | 208 Volt     | 240 Volt     | 277 Volt     | 380 Volt     |
|------------------|--------------|--------------|--------------|--------------|--------------|
| 1000W ▲          | N/A          | N/A          | N/A          | N/A          | N/A          |
| 1250W ▲          | N/A          | N/A          | N/A          | N/A          | N/A          |
| 1500W ▲          | 265-42541-02 | 265-42545-02 | 265-42545-13 | N/A          | 265-42551-12 |
| 1500W (LWD) ▲    | N/A          | N/A          | N/A          | N/A          | N/A          |
| 2000W ▲          | N/A          | 265-42545-14 | 265-42545-02 | 265-42547-07 | 265-42549-04 |
| 2500W ▲          | N/A          | 265-42545-11 | 265-42545-14 | N/A          | 265-42551-13 |
| 3000W ▲          | N/A          | 265-42545-12 | 265-42545-15 | 265-42547-08 | 265-42551-10 |
| 3500W ▲▲         | N/A          | 265-51328-07 | 265-42545-11 | N/A          | 265-42551-05 |
| 3800W ▲▲         | N/A          | N/A          | 265-42547-09 | N/A          | N/A          |
| 4000W ▲▲         | N/A          | 265-42545-09 | 265-42545-12 | 265-42547-03 | 265-42551-07 |
| 4500W ▲▲         | N/A          | 265-42545-10 | 265-51328-07 | 265-42547-04 | 265-42551-08 |
| 4500W (LWD) ▲▲   | N/A          | N/A          | N/A          | N/A          | N/A          |
| 5000W ▲▲         | N/A          | 265-42543-01 | 265-42545-08 | 265-42547-09 | 265-42551-09 |
| 5500W ▲▲         | N/A          | 265-42543-02 | 265-42545-09 | 265-42547-05 | 265-42549-03 |
| 6000W ▲▲         | N/A          | 265-42543-03 | 265-42545-10 | 265-42547-06 | 265-42549-02 |
| Element gasket ^ | 265-34019-00 | 265-34019-00 | 265-34019-00 | 265-34019-00 | 265-34019-00 |
| Element plug     | 265-34020-00 | 265-34020-00 | 265-34020-00 | 265-34020-00 | 265-34020-00 |

(LWD) = Low Watt Density

For bagged elements that include gasket, change part number prefix to 265- (example: 265-42541-02).

Element wrench \*\*\* 265-35897-12

Adapt-a-flange kit \*\*\* 265-36968-12

\*\*\* For use with residential, LD, E32, and MII series heating elements only. Not for use with commercial "A" series heating elements.

▲ For 12" Diameter tanks and above.

▲▲ For 14" Diameter tanks and above.

\* For 16" Diameter tanks and above.

\*\* For 18" Diameter tanks and above.

^ Element gaskets should be ordered with elements.







# **BRADFORD WHITE®**

W A T E R H E A T E R S

Ambler, PA

For U.S. and Canada field service,  
contact your professional installer or  
local Bradford White sales representative.

**Sales/800-523-2931**  
**Fax/215-641-1670**  
**Parts Fax/215-641-2180**

**Technical Support/800-334-3393**  
**Fax/269-795-1089**

**Warranty/800-531-2111**  
**Fax/269-795-1089**

**International:**  
**Telephone/215-641-9400**  
**Telefax/215-641-9750**



# **BRADFORD WHITE-CANADA® INC.**

Mississauga, ON

**Sales/866-690-0961**  
**905-238-0100**

**Fax/905-238-0105**

**Technical Support/800-334-3393**

**Email**

**parts@bradfordwhite.com**  
**techserv@bradfordwhite.com**

**www.bradfordwhite.com**