

2603DTWP – EVERYDAY TUB/SHOWERS

60 x 32 x 76 inches

SOAKER MODEL #2603DT

WHIRLPOOL MODEL #2603DTWP



AQUATIC ADVANTAGE

- National distribution
- 6 manufacturing facilities
- Private fleet
- Centralized customer service
- Field support

COLOR AND TRIM OPTIONS

Stock	Upgraded	Premium
White (C)	Almond (NA) Linen/Biscuit (C) Bone (C)	Black (NA) Mexican Sand (NA) Sand Bar (NA) Sterling Silver (NA)

C = color matched trim NA = not applicable* color not available for whirlpool models

FEATURES

- Tub-shower
- Diagonal tile
- Ergonomic backrest
- Molded toiletry shelf
- Slip-resistant textured bottom
- Left or right hand drain
- AcrylX™ applied acrylic surface
- Lifetime limited warranty

Whirlpool Features:

- 4 directional hydrotherapy jets
- Color matched or clear trim
- Pneumatic on/off control
- Advanced safety suction system

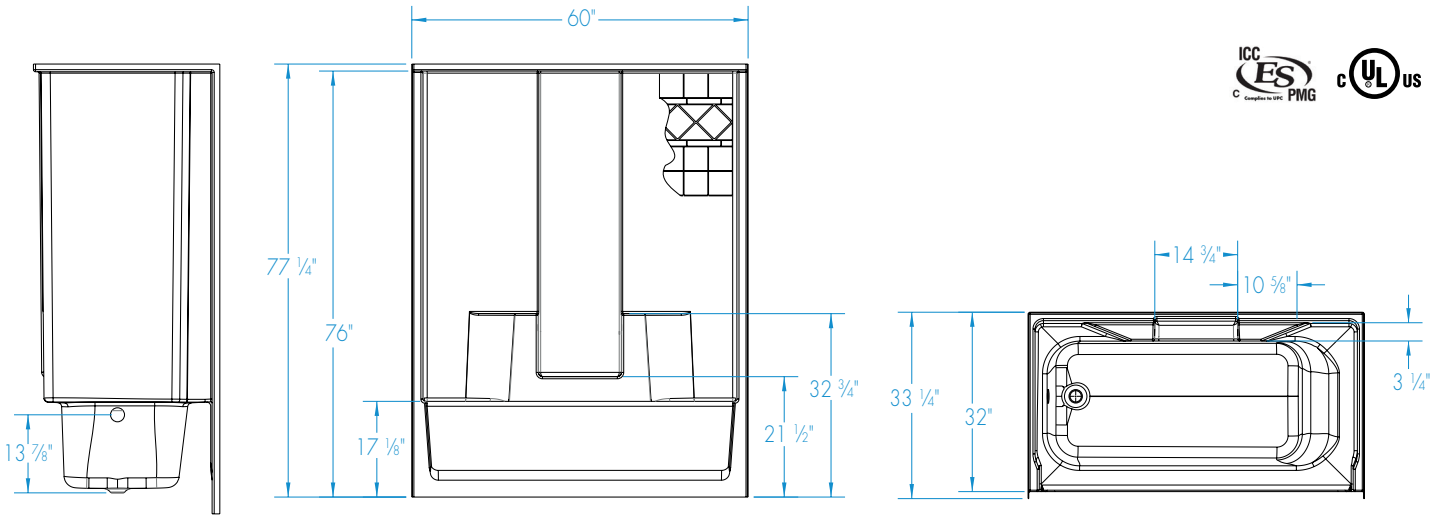
OPTIONS

- Removable access panel (whirlpool models)
- Grab bar reinforcement
- Factory installed assisted care grab bars
- Designer drain, waste & overflow
- Shower Door Series L0516



2603DTWP

60 x 32 x 76
inches



FEATURES lbs Dimensional Tolerance $\pm 3/8"$. Dimensions needed for site preparation should be measured from the unit. Aquatic assumes no responsibility for preparatory work.

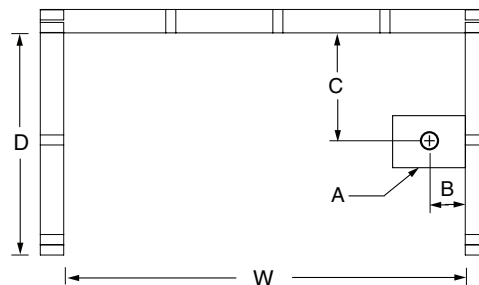
Model #	Material	Wall Finish	Jets	Motor	Controls	Drain	Net Wt.	Pkg. Wt.
Soaker #2603DT	AcrylX™	Diagonal Tile	0	-	-	LH or RH	133	138
Whirlpool #2603DTWP	AcrylX™	Diagonal Tile	4	63 GPM	Pneumatic	LH or RH	186	191

DIMENSIONS

Specifications	inches
Width: Overall / Net	60
Depth: Overall / Net	33 1/4 / 32
Height: Overall / Net	77 1/4 / 76
Enclosure Opening	56
Skirt Height	17
Drain Rough-In (from Back Wall)	15
Drain Rough-In (from Side Wall)	2 1/2
Drain: Diameter / Clearance	2 / 3/4

FRAMING DIMENSIONS inches

Type	D Depth	W Width	H Height	A	B	C
Alcove	33 1/4	60 1/8	-	Box Out	2 1/2	15



SUMP DATA

Top of Drain to Bottom of Overflow	Capacity to Overflow gal	Min. Operating Capacity gal	WIDTH @ centerline		DEPTH @ centerline	
			Top	Bottom	Top	Bottom
12	50	45	51	43	22 1/2	20