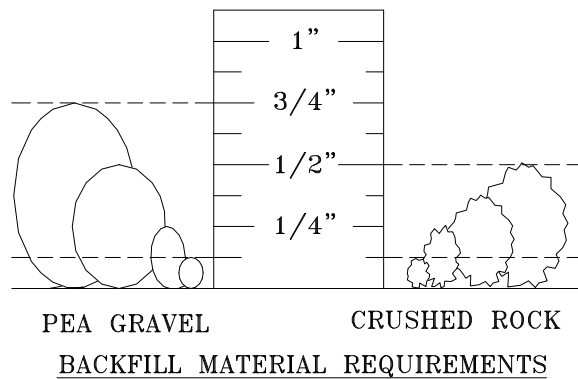
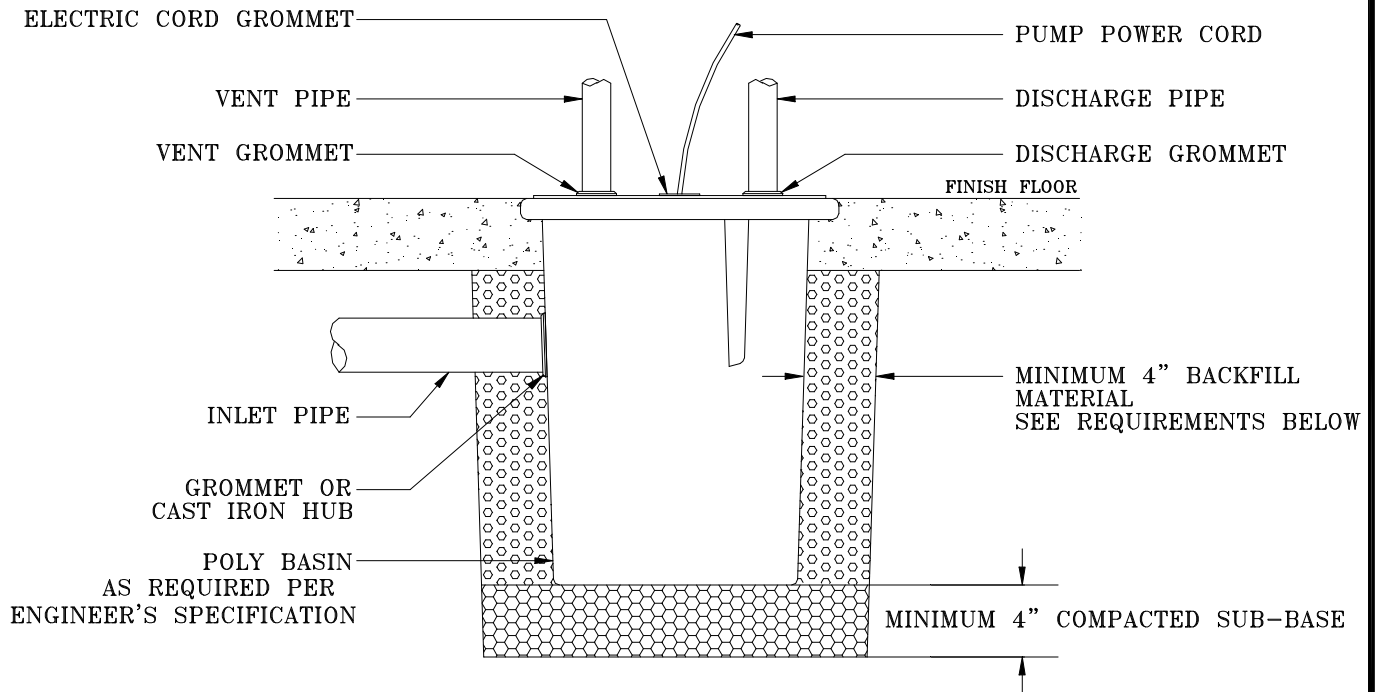




# POLYETHYLENE BASIN INSTALLATION REFERENCE GUIDE



**NOTE:**

The intent of these installation instructions and illustrations is to ensure that damage or premature failure to the basin will not occur. These installation instructions and illustrations are NOT intended to preclude normal safety procedures which should be followed to prevent injury to personnel. SAFE INSTALLATION PROCEDURES SHALL BE ENTIRELY THE RESPONSIBILITY OF THE INSTALLER.