

GATE F-2885A

IRON

125 lb. SWP-200 lb. WOG† • OS and Y
 Solid Wedge Disc • Bolted Bonnet • Gland Packed • Flanged Ends

125 PSI/8.6 Bar Fluid Pressure to 353° F/178° C
 200 PSI/13.8 Bar Non-Shock Cold Working Pressure
 to -20° F to 150° F/-29° C to 66° C.

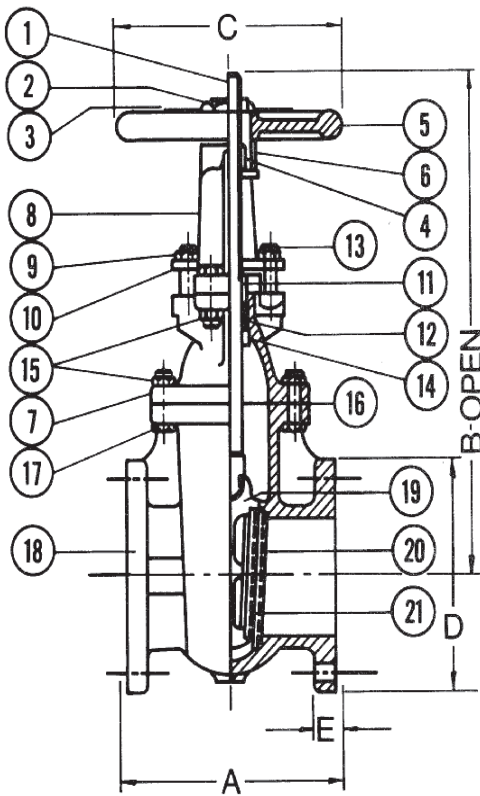
Flange shape and drilling to specification ASME B 16.1 (125 lb.)

SPECIFICATIONS

F-2885-A Conforms to: MSS SP-70.

MATERIAL LIST

NO.	DESCRIPTION	MATERIAL & SPECIFICATION
1	Stem	Brass ASTM B 16
2	Handwheel Nut	Ductile Iron
3	Identification Plate	Aluminum
4	Yoke Bushing	Cast Bronze ASTM B 62
5	Handwheel	Cast Iron ASTM A 126, Class B
6	Yoke Bushing Nut	Cast Iron ASTM A 126, Class B
7	Bonnet	Cast Iron ASTM A 126, Class B
8	Yoke	Cast Iron ASTM A 126, Class B
9	Gland Follower Nut	Steel ASTM A 307-B
10	Gland Follower	Ductile Iron ASTM A 536
11	Packing Gland	Cast Bronze ASTM B 62
12	Packing	Non-Asbestos
13	Gland Follower Bolt	Steel ASTM A 307-B
14	Backseat Bushing	Cast Bronze ASTM B 62
15	Nut	Steel ASTM A 307-B
16	Body Gasket	Non-Asbestos
17	Bolt	Steel ASTM A 307-B
18	Body	Cast Iron ASTM A 126, Class B
19	Wedge	Cast Iron ASTM A 126, Class B
20	Seat Ring	Cast Bronze ASTM B 62
21	Wedge Face Ring	Cast Bronze ASTM B 62



DIMENSIONS - INCHES / MILLIMETERS

UNITS	SIZE	A	B	C	D	E	C _v
Inches	2	7.00	15.00	7.00	6.00	0.63	215
mm	50.8	177.8	381.0	177.8	152.4	15.9	
Inches	2 1/2	1.50	16.88	8.00	7.00	0.69	335
mm	63.5	190.5	428.6	203.2	177.8	17.5	
Inches	3	8.00	18.75	8.00	7.50	0.75	510
mm	76.2	203.2	476.3	203.2	190.5	19.1	
Inches	4	9.00	22.75	10.00	9.00	0.94	945
mm	101.6	228.6	577.9	254.0	228.6	23.9	
Inches	5	10.00	27.13	10.00	10.00	0.94	1525
mm	127.0	254.0	689.0	254.0	254.0	23.9	
Inches	6	10.50	30.13	12.00	11.00	1.00	2250
mm	152.4	266.7	765.2	304.8	279.4	25.4	
Inches	8	11.50	40.13	14.00	13.50	1.13	4150
mm	203.2	292.1	1019.2	355.6	342.9	28.6	
Inches	10	13.00	48.25	16.00	16.00	1.81	6700
mm	254.0	330.2	1225.6	406.4	406.4	46.1	
Inches	12	14.00	56.88	18.00	19.00	1.25	9925
mm	304.8	355.6	1444.6	457.2	482.6	31.8	

† Non-Shock

Rev. 5

INNOVATION IN EVERY VALVE



MILWAUKEE VALVE

www.milwaukeevalve.com

The information presented on this sheet is correct at the time of publication. Milwaukee Valve reserves the right to change design, and/or material specifications without notice. For the Installation, Operation and Maintenance Manual (IOM) see the engineering section on our website. For the most current information access www.milwaukeevalve.com