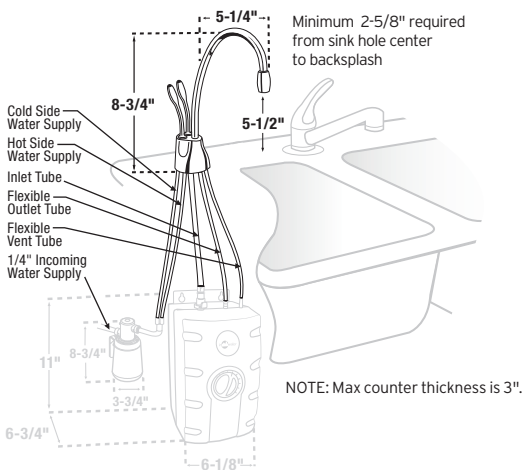




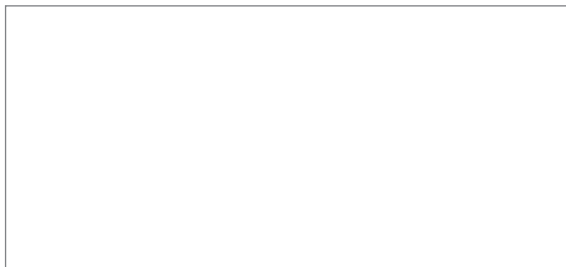
# The Next Necessity™



## Dimensions



## Job Specifications



## Instant Hot Water Dispensers



### F-HC1100

Our finest line of instant hot water dispensers for use with our Stainless Steel Tank for filtered near-boiling 200°F and cool drinking water

Tank and filter sold separately (SST-FLTR)

## Submittal Sheet

- **Hot & Cool** - Dispenses near-boiling 200°F water and cool drinking water
- Graceful high-arching spout swivels for greater convenience and stylish integrated levers provides a dramatic look
- Hot lever automatically shuts off, while Stay-On™ cool lever remains on for easy use
- Durable all brass faucet construction
- 5-Year *We Come To You*® In-Home Service Warranty\*
- For use with InSinkErator Stainless Steel Tank and F-201 Filtration System
- **Available in these designer finishes:** white, biscuit, French gold, satin nickel, polished nickel, chrome, brushed chrome, mocha bronze, oil rubbed bronze, matte black and gloss black

## Specifications

Hot Valve	Instant, self-closing
Cold Valve	Manual return
Shipping Weight	Approximately 4.0 lbs.
Required Hole Diameter	1-3/8" - 1-1/2" standard sink hole



## Sample Specification

Instant hot water dispenser(s) shall be InSinkErator Model F-HC1100 with 2/3-gallon stainless steel tank, adjustable temperature from 160°F to 210°F and instant, self-closing hot valve.

**Warranty:**  
5-year parts and in-home service.

\* The complete InSinkErator warranty is included in the Care & Use booklet packed with each unit.



Complies with California Lead Plumbing Law

USA  
1-800-558-5700  
www.insinkerator.com

Canada  
1-800-561-1700  
www.insinkerator.ca



The Emerson logo is a trademark and a service mark of Emerson Electric Co. InSinkErator may make improvements and/or changes in the specifications at any time, in its sole discretion, without notice or obligation and further reserves the right to change or discontinue models.

©2012 InSinkErator, a business unit of Emerson Electric Co. All Rights Reserved.