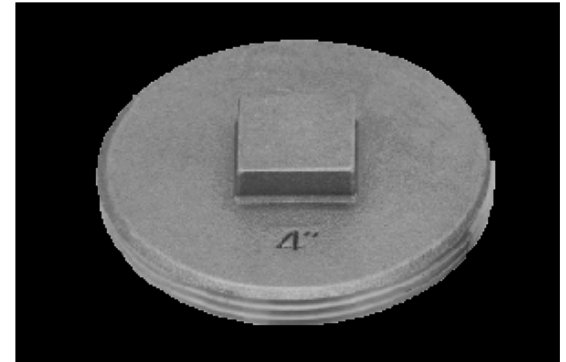
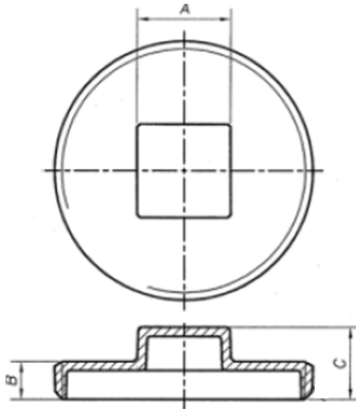


# Raised Square Head Brass Plugs

**Product Features**

- Plug For Drainage
- For residential and light commercial only
- Southern Code
- IPS



**PFBP5RHP**

| Raised Square Head Brass Plugs |                  |                          |            |      |      |      |      |      |      |  |
|--------------------------------|------------------|--------------------------|------------|------|------|------|------|------|------|--|
| ✓ For Submittal                | Model Number     | Description              | Dimensions |      |      |      |      |      |      |  |
|                                |                  |                          | Size       | A    |      | B    |      | C    |      |  |
|                                |                  |                          | in         | in   | mm   | in   | mm   | in   | mm   |  |
|                                | <b>PFBP5RHH</b>  | 1-1/4 RH SC IPS BRS PLUG | 1-1/4"     | 0.71 | 18.0 | 0.42 | 10.6 | 0.73 | 18.5 |  |
|                                | <b>PFBP5RHJ</b>  | 1-1/2 RH SC IPS BRS PLUG | 1-1/2"     | 0.80 | 20.4 | 0.44 | 11.2 | 0.76 | 19.3 |  |
|                                | <b>PFBP5RHK</b>  | 2 RH SC IPS BRS PLUG     | 2"         | 0.98 | 25.0 | 0.45 | 11.5 | 0.80 | 20.4 |  |
|                                | <b>PFBP5RHL</b>  | 2-1/2 RH SC IPS BRS PLUG | 2-1/2"     | 1.02 | 26.0 | 0.43 | 10.8 | 0.80 | 20.4 |  |
|                                | <b>PFBP5RHM</b>  | 3 RH SC IPS BRS PLUG     | 3"         | 1.24 | 31.5 | 0.49 | 12.5 | 0.86 | 21.8 |  |
|                                | <b>PFBP5RHN</b>  | 3-1/2 RH SC IPS BRS PLUG | 3-1/2"     | 1.46 | 37.0 | 0.49 | 12.5 | 0.83 | 21   |  |
|                                | <b>PFBP5RHP</b>  | 4 RH SC IPS BRS PLUG     | 4"         | 1.38 | 35.0 | 0.49 | 12.5 | 0.87 | 22.1 |  |
|                                | <b>PFBP5RHS</b>  | 5 RH SC IPS BRS PLUG     | 5"         | 1.39 | 35.3 | 0.54 | 13.7 | 0.89 | 22.7 |  |
|                                | <b>PFBP5RHU</b>  | 6 RH SC IPS BRS PLUG     | 6"         | 1.56 | 39.5 | 0.57 | 14.5 | 1.02 | 26   |  |
|                                | <b>PFBP5RHX</b>  | 8 RH SC IPS BRS PLUG     | 8"         | 1.67 | 42.3 | 0.71 | 18.0 | 1.24 | 31.6 |  |
|                                | <b>PFBP5RH10</b> | 10 RH SC IPS BRS PLUG    | 10"        | 2.76 | 70.0 | 0.98 | 25.0 | 1.52 | 38.5 |  |

**Warranty and Codes**

This PROFLO product carries a 1-year limited warranty.