



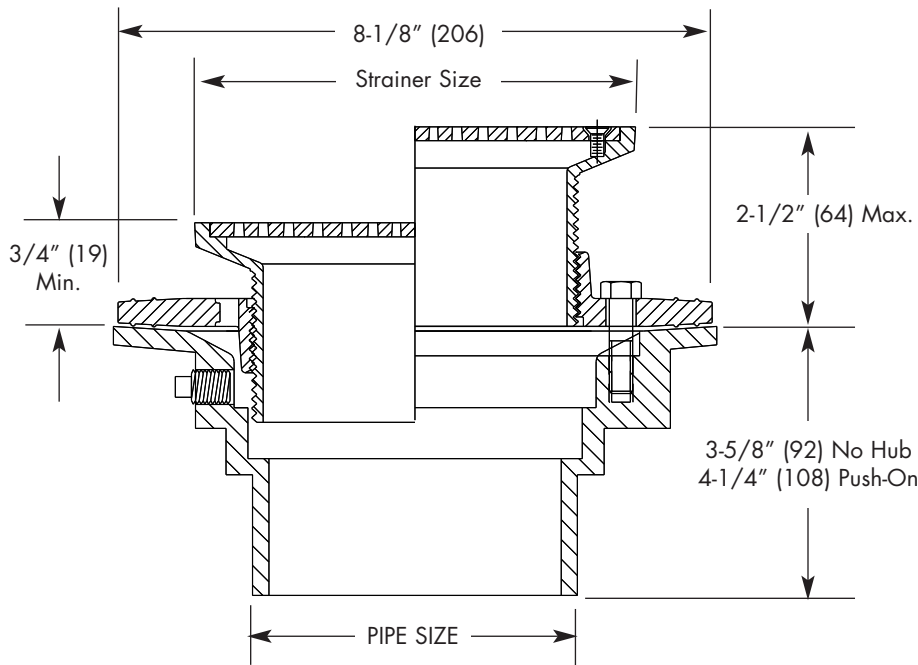
FD15-R

Cast Iron Adjustable Floor Drain w/Round Strainer

Tag: \_\_\_\_\_

**PROLINE**

**SPECIFICATION:** Watts ProLine FD15-R cast iron floor drain with reversible clamping collar, and adjustable round nickel bronze, ductile iron, or stainless steel strainer.



| Pipe Sizing (Select One) |             |                          |
|--------------------------|-------------|--------------------------|
| Suffix                   | Description |                          |
| -2NH                     | 2" No Hub   | <input type="checkbox"/> |
| -2PT                     | 2" Push-On  | <input type="checkbox"/> |
| -3NH                     | 3" No Hub   | <input type="checkbox"/> |
| -3PT                     | 3" Push-On  | <input type="checkbox"/> |
| -4NH                     | 4" No Hub   | <input type="checkbox"/> |
| -4PT                     | 4" Push-On  | <input type="checkbox"/> |

| Strainers (Select One) |                          |                          |
|------------------------|--------------------------|--------------------------|
| Suffix                 | Description              |                          |
| -5R                    | 5" Round Nickel Bronze   | <input type="checkbox"/> |
| -5RDI                  | 5" Round Ductile Iron    | <input type="checkbox"/> |
| -5RSS                  | 5" Round Stainless Steel | <input type="checkbox"/> |
| -6R                    | 6" Round Nickel Bronze   | <input type="checkbox"/> |
| -6RSS                  | 6" Round Stainless Steel | <input type="checkbox"/> |

| Options (Select One or More) |                     |                          |
|------------------------------|---------------------|--------------------------|
| Suffix                       | Description         |                          |
| -B                           | Sediment Bucket     | <input type="checkbox"/> |
| -BV                          | Backwater Valve     | <input type="checkbox"/> |
| -E                           | Strainer Extension  | <input type="checkbox"/> |
| -G                           | CI Round Funnel     | <input type="checkbox"/> |
| -GNB                         | NB Round Funnel     | <input type="checkbox"/> |
| -H                           | CI Oval Funnel      | <input type="checkbox"/> |
| -HNB                         | NB Oval Funnel      | <input type="checkbox"/> |
| -TPT                         | Trap Primer Tapping | <input type="checkbox"/> |
| -VP                          | Vandal Proof Screws | <input type="checkbox"/> |

Job Name \_\_\_\_\_ Contractor \_\_\_\_\_

Job Location \_\_\_\_\_ Contractor's P.O. No. \_\_\_\_\_

Engineer \_\_\_\_\_ Representative \_\_\_\_\_

WATTS Drainage reserves the right to modify or change product design or construction without prior notice and without incurring any obligation to make similar changes and modifications to products previously or subsequently sold. See your WATTS Drainage representative for any clarification. Dimensions are subject to manufacturing tolerances.



Specification Drainage Products

USA: 100 Watts Road, Spindale, NC, 28160-2298; TEL: 828-288-2179 TOLL-FREE: 1-800-338-2581 www.watts.com