

Gilcrest™ Technical Specification

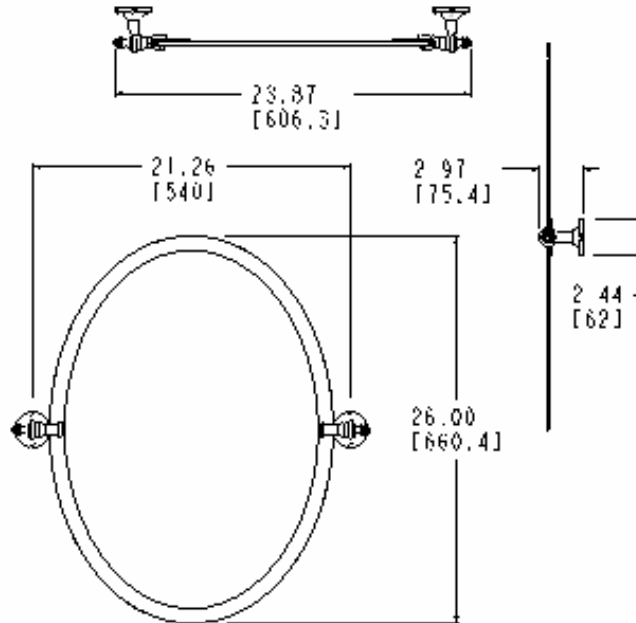
Oval Tilting Mirror

DN0892

Stock Numbers:

- q **DN0892ORB – Oval Tilting Mirror**
Oil Rubbed Bronze Finish

Dimensions:



Materials:

Oval Tilting Mirror posts are constructed of zinc and mirror is constructed of glass.

Installation Instructions:

Directions below are for installation into drywall. If installing product into a stud, use the wood screws only.

1. Position the mounting template on the wall in the desired location.
2. Using a level, align the template and tape it to the wall.
3. Drill two 5/16" holes at each mounting post location. (We recommend using the horizontal holes for drywall installation).
4. Remove the template from the wall.
5. Fold ends of the plastic toggle together and insert into each hole in the wall.
6. Lightly tap anchors until flush with the wall.
7. One at a time, insert plastic pin into each of the anchors and lightly tap to activate anchor. Remove pin and repeat on all anchors.
8. Remove mounting posts from the product assemblies by loosening each setscrew.
9. One at a time, place each mounting post over anchors (notch facing downward) and insert screws through post into anchors. Tighten screws.
10. Loosen the 2 small screws on each of the end posts.
11. With the back of the mirror facing you, slide both end posts into position on the mirror. Align the screws with the holes in the back plates. Tighten all 4 screws.
12. Place entire mirror assembly over the mounting posts on the wall (setscrews facing down). Tighten setscrews.

Cleaning Instructions:

To preserve the fine finish of this product, clean only with a soft damp cloth. Dry well. Do not use commercial or abrasive cleaners.

Stock Number: _____ **Oval Tilting Mirror**
By Creative Specialties



25300 AL MOEN DRIVE • NORTH OLMS TED, OH 44070
CORPORATE HEADQUARTERS: (800) 321-8809 • FAX: (800) 848-6636
INTERNATIONAL: (440) 962-2000 • FAX: (440) 962-2726
CUSTOMER SERVICE (USA): 800-882-0116 • FAX: (888) 379-2720
WWW.CSI.MOEN.COM

©Copyright Creative Specialties International 2006

Literature #BA1348