

# Home Care Technical Specification

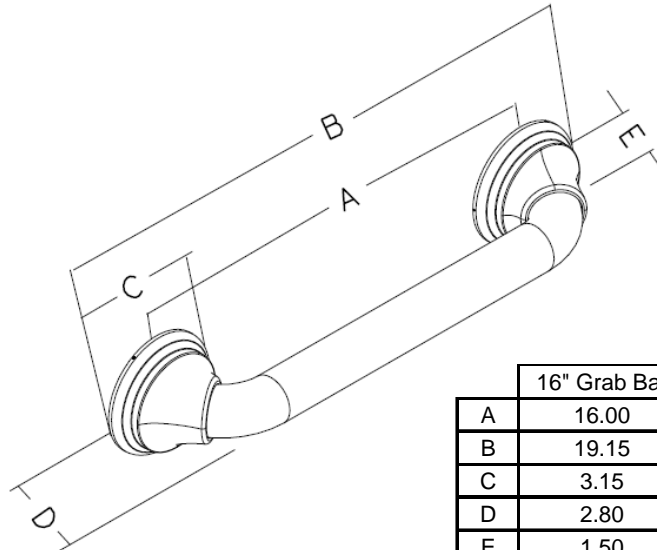
## Ultima Grab Bar

## LR8700D3

### Stock Numbers:

- q **LR8716D3BN – 16" Ultima Grab Bar**  
Brushed Nickel Finish, 1 ¼" Bar,  
Concealed Screw Mounting
- q **LR8724D3BN – 24" Ultima Grab Bar**  
Brushed Nickel Finish, 1 ¼" Bar,  
Concealed Screw Mounting
- q **LR8716D3CH – 16" Ultima Grab Bar**  
Chrome Finish, 1 ¼" Bar,  
Concealed Screw Mounting
- q **LR8724D3CH – 16" Ultima Grab Bar**  
Chrome Finish, 1 ¼" Bar,  
Concealed Screw Mounting

### Dimensions:



	16" Grab Bar	24" Grab Bar
A	16.00	24.00
B	19.15	27.15
C	3.15	3.15
D	2.80	2.80
E	1.50	1.50

### Materials:

1 ¼" Grab Bar rods are formed from (.040) type 304 stainless steel tubing.

### Installation Instructions:

1. Please note that screws MUST be mounted into a wood stud for secure installation.
2. Slide the decorative cover away from the hub end to expose the SecureMount™ mounting flange. Do not remove protective plastic from decorative cover until indicated later in these instructions.
3. Locate the studs behind the wall by using a stud sensor or other stud locating method. Studs are usually 16 in. apart; locate the center of each stud.
4. Moving aside the decorative cover as needed, with a pencil, mark three of the mounting locations on each of the two grab bar flanges. Two marks to be made above the grab bar in the area indicated in the illustration below. The third mark to be made below the grab bar in the area indicated in the illustration below. Decide whether you would like to position your grab bar horizontally, vertically or at an angle, remembering that BOTH ends of the grab bar MUST be positioned over a wood stud.
5. Moving the decorative cover as far away from the marked slots as possible, drill a hole into the marks, through the slots (as shown in illustration). Position the drill at a slight angle in order to get around the grab bar and decorative cover, making sure to drill into the wood stud. If desired, apply silicone caulk to the back of the decorative cover to guard against water penetration.
6. To mount the grab bar, reposition one end of the grab bar SecureMount™ mounting flange over the marked holes.
7. Thread a washer onto each screw. Using the screwdriver, screw the wood screws with washers into the SecureMount™ mounting flange at one end of the grab bar. Then screw the wood screws with washers into the mounting flange at the other end of the grab bar.
8. Tighten the screws until secure.
9. Slide the decorative cover over the SecureMount™ mounting flange, rotating to find the correct fit before snapping into place.
10. Slide decorative covers over SecureMount™ mounting flanges.

**Stock Number:** \_\_\_\_\_ **Grab Bars**  
**By Creative Specialties**



25300 AL MOEN DRIVE • NORTH OLMSTED, OH 44070  
CORPORATE HEADQUARTERS: (800) 321-8809 • FAX: (800) 848-6636  
INTERNATIONAL: (440) 962-2000 • FAX: (440) 962-2726  
CUSTOMER SERVICE (USA): 800-882-0116 • FAX: (888) 379-2720

©Copyright Creative Specialties International 2005