

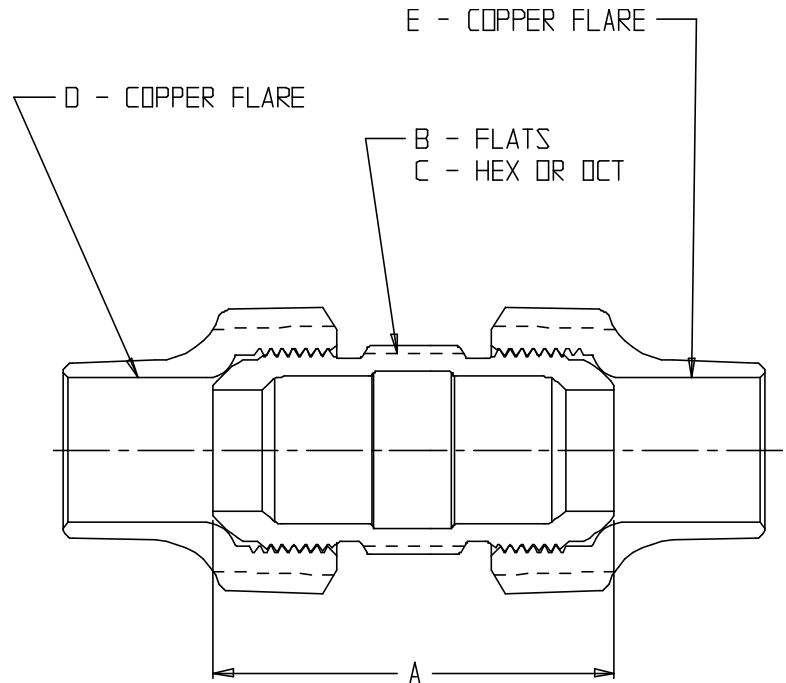
SUBMITTAL DATA SHEET

NL Service Fitting – 74758

Copper Flare x Copper Flare



MODEL	SIZE	A	B	C	D	E
74758	1/2	2.06	1.06	HEX	1/2	1/2
74758	1/2 X 3/4	2.21	1.38	HEX	1/2	3/4
74758	3/4	2.50	1.20	OCT	3/4	3/4
74758	3/4 X 1	2.57	1.34	HEX	3/4	1
74758	1	2.88	1.38	OCT	1	1
74758	1 1/4	3.87	2.38	HEX	1 1/4	1 1/4
74758	1 1/2	3.88	2.88	HEX	1 1/2	1 1/2
74758	2	4.25	3.29	HEX	2	2



SUBMITTAL INFORMATION

- Manufactured in compliance with ANSI/AWWA C800 (latest revision)
- Brass components in contact with potable water conform to ASTM B584, UNS C89833 (latest revision) and identified with “NL”
- Certified to NSF/ANSI 61 and NSF/ANSI 372
- Brass components not in contact with potable water conform to ASTM B62 and ASTM B584, UNS C83600 -85-5-5-5 (latest revision)
- Large wrench flats provided for proper installation



A.Y. McDonald Mfg. Co.
P.O. Box 508
Dubuque, IA 52004-508

Toll Free: 1-800-292-2737
Fax: 1-800-832-9296
Hours: 7:00 a.m. – 5:00 p.m., CST

sales@aymcdonald.com
www.aymcdonald.com

A.Y. McDonald considers the information on this assembly drawing correct when published. Item and option availability, including specifications, are subject to change without notice.

Submitted by: