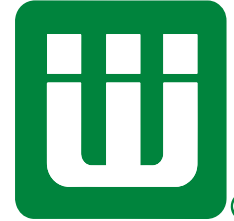


Bath Wastes and Trim Kits

WATCO



Useful. Innovation.™



IdealLav™
Removable
Grid+Stopper
Page 38



901 Innovator®
The Industry Standard
Page 13



Universal NuFit®
Makes Old
Drains New
Page 40



QuickTrim®
Easy to
Change Finish
Page 48



Flex
Eliminates Offsets
Page 6



Brass
Page 28

Schedule 40 _____	6-24
Flexible Series _____	6
Innovator® Cable Series _____	9
900 Innovator® Series _____	12
900 Innovator® Drain Series _____	16
400 Perfect Fit Series _____	21
600 One-Hole Series _____	22
Tubular Plastic _____	25-27
Tubular Brass _____	28-36
Lavatory _____	37-39
Trim Kits _____	40-53
Tub Closures _____	54-55
Faceplate Kits _____	56
Bushings/Accessories _____	57
Spec Sheets _____	58-65
Parts by Number _____	66-68
Parts by Category _____	69-72
Terms & Conditions _____	73
Freight Allowance _____	73
Tech Notes _____	74-75



Effective February 1st
**Price Guide
 and Product Catalog**
2019



TABLE OF CONTENTS

QUICK-FIND PRODUCT NUMBER LOCATOR 4-5

SCHEDULE 40

FLEXIBLE BATH WASTES

WatcoFlex®	Direct Drains with Direct Drain Tee	6
Flex900 Series	Flex916 / Flex924 with Sanitary Tee.....	7
Flexible Innovator CableFlex® Series	928 / 938 / 948 CableFlex®.....	8
Flexible Innovator Drain Series	Flex916N & Flex924N	18

INNOVATOR CABLE®

CableFlex®	928 / 938 / 948 CableFlex®.....	8
Schedule 40 rigid pipe.....	970 / 980 / 990 Cable	9
Cable Half Kits.....	971 / 981 / 991 Cable.....	10
Innovator Cable Bath wastes with ADA Handles		11

SCHEDULE 40 BATH WASTES

900 Series	900 / 902 Innovator® Series	12-14
	915 / 917 / 918 Half Kits with Hub or Spigot Adapters.....	15
	920 / 921 / 951 / 961 ABS stopper/knob, zinc or brass bodies ..	12-13
	940 / 941 Innovator® Plus Series.....	12-14
Innovator Drain Series	900N / 901N / Flex916N / Flex924N / Stoppers	16-17
Perfect Fit Series	400 / 401 Perfect Fit Series.....	21
600 Series	600 / 601 1-Hole Faceplate Series.....	22
	Trip Lever / SLIPLOCK® / TURNSTYLE®.....	23
	620 / 621 / 651 / 661 ABS stopper/knob, zinc or brass bodies ..	23
	610 / 612 / 614 / 615 / 616 / 617 with Hub or Spigot Adapters....	24

TUBULAR PLASTIC

500 Series	500 / 550 / 2-Hole / SLIPLOCK® Bath Wastes	25
	500 / 550 Trip Lever / QUICK ADJUST® / TURNSTYLE®.....	25
	510 Quarter Kit / 590 / 594 Innovator®	27
	595 Innovator® & 515 Direct Drains	27

TUBULAR BRASS

501 / 502 Series	501 / 551 Series – 502 / 552 Series, 17 & 20-gauge	30-31
	Trip-Lever Type.....	501 / 502 – 551 / 552 QUICK ADJUST® & Trip Lever.....
	501 / 502 – 551 / 552 TURNSTYLE®	33
Tub Closures / Direct Drains.....	511 Tub Closures – 512 & 593 Innovator® Direct Drains.....	33
Innovator Brass Drains.....	591 / 598 – 592 / 599 Innovator® 17 & 20-gauge.....	34-35
Cable / Chicago-Code.....	528 / 538 Cable, 20g – 567 / 568 Chicago Code, 17g	36

LAVATORY DRAINS

800 / 801 Series – 700 ABS	41-43
----------------------------------	-------

TRIM KITS / TUB CLOSURES / REPLACEMENT STOPPERS

Trim Kits	Universal NuFit® Trim Kits and Tub Closures	40-45
	NuFit® Trim Kits and Tub Closures	46-47
	QuickTrim® Trim Kits and Tub Closures	48
	528/538 Brass Cable Trim Kits; Innovator Cable Trim Kits	49
	Coarse-Thread / Fine-Thread Innovator® & 1-Hole Trim Kits....	50-51
	Trip-Lever Type Trim Kits.....	52-53
Tub Closures / Replacement Stoppers / Faceplate Kits		54-56

BUSHINGS / ACCESSORIES

Bushings / Test Kits / Measuring Kits / Miscellaneous.....	57
--	----

OTHER INFORMATION














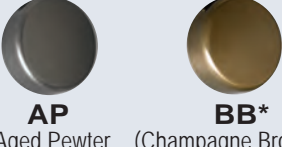
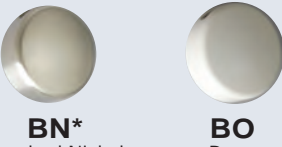
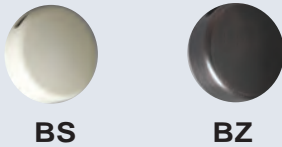
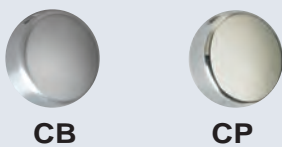
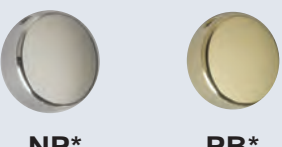
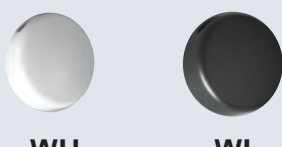
Spec Sheets	Schedule 40:58-62 / Tubular Plastic: 62-64 / Brass: 64-65
Parts	Listed by Part No.: 66-68 / Listed by Category: 69-72
Carded Packaging (NOTE: Place “-C” at end of part number.).....	73
Policies and Miscellaneous Information	73
TechNotes	74-75
Representatives.....	Back Cover

BATH WASTE NUMBERING SYSTEM



Example of Product #:

901 — FA — PVC — CP — ***
 Series Number — Stopper — Material — Finish

1	2	3	4
SERIES # <i>Examples:</i> FLEX FLEX916 928-CA 970-CA 971-CA 900 901 902 915 917 921 951 952 900N 901N 902N 401 600 601 621 651 661 610 612 614 615 617 500 550 510 515 595 590 501 591 <i>Etc.</i>	STOPPERS CA =  CABLE FA =  FOOT ACTUATED LT =  LIFT AND TURN PF =  PRESFLO® PP =  PUSH PULL® SL =  SLIP LOCK® TL =  TRIP LEVER TQ =  TL QUICK ADJUST® TS =  TURNSTYLE®	TUBING / FITTING MATERIAL ABS Acrylonitrile Butadiene Styrene (Black)  BRS 17-Gauge & 20-Gauge Brass Pipe  FLEX Flexible PVC Pipe (Green)  PVC Polyvinyl Chloride (White) 	FINISHES AVAILABLE AP Aged Pewter BB* (Champagne Bronze)  BN* Brushed Nickel BO Bone  BS Biscuit BZ Oil-Rubbed Bronze  CB Chrome Brushed CP Chrome Plated  NP* Nickel Polished PB* Polished Brass  WH White WI Wrought (Matte Black)  * PVD Finish

5 OPTIONS

*** Many options are available and are found throughout the various products.



PRODUCT INDEX

Find products beginning with...

ITEM #	PAGE	ITEM #	PAGE	ITEM #	PAGE	ITEM #	PAGE	ITEM #	PAGE
1		3		3 Cont.		4		5	
10121.....	57	38080.....	51	38317.....	55	400-.....	21	500-.....	25
10770.....	52	38090.....	51	38319.....	55	401-.....	21	500-SL.....	25
10771.....	52	38100BUSH ...	57	38321.....	55	48100.....	47	500-TL.....	26
11111-SET.....	57	38101.....	57	38325.....	55	48200.....	47	500-TQ.....	26
11114.....	57	38102.....	57	38329.....	54	48300.....	47	500-TS.....	26
11519.....	54	38103.....	57	38333.....	54	48301.....	49	501-.....	30
11547	41, 43, 45	38104.....	57	38350.....	55	48400.....	47	501-TQ.....	32
11551	41, 43, 45	38105.....	57	38360.....	54	48500.....	47	501-TS.....	33
11554	41, 43, 45	38106.....	57	38370.....	54	48600.....	47	502-.....	31
11565.....	57	38107.....	57	38375.....	55	487SA-PP....	41-43	502-TQ.....	32
11573.....	57	38108.....	57	38380.....	55	48700-FA....	44-45	502-TS.....	33
11574.....	57	38109.....	57	38385.....	55	48700-PP....	40-43	510-.....	27
11577.....	57	38110.....	57	38390.....	50	48701-FA.....	45	511-.....	33
11579.....	57	38111.....	57	38390W.....	50	48701-PP ...	41-43	511-TL.....	33
11587.....	57	38112.....	57	38395.....	55	4870N-FA....	44-45	512-.....	33
11594.....	57	38113.....	57	38410.....	54	4870N-PP...	40-43	515-.....	27
18001.....	56	38114.....	57	38412.....	54	48750-FA....	44-45	51612.....	51
18002.....	56	38115.....	57	38420.....	51	48750-PP....	40-43	528-CA.....	36
18003.....	56	38116.....	57	38433.....	50	48751-FA.....	45	52800.....	49
18009.....	56	38170.....	53	38490.....	51	48751-PP....	40-43	538-CA.....	36
18660.....	56	38180.....	53	38516.....	54	4875N-FA....	44-45	550-.....	25
18661.....	56	38190.....	51	38520.....	54	4875N-PP...	40-43	550-TL.....	26
18662.....	56	38194.....	51	38530.....	54			550-TQ.....	26
18663.....	56	38212.....	51	38540.....	54			550-TS.....	26
18702.....	56	38219.....	55	38610.....	54			551-.....	30
		38220.....	55	38651.....	54			551-TQ.....	32
		38250.....	50	38660.....	52			551-TS.....	33
		38260.....	51	38661.....	52			552-.....	31
		38270.....	51	38702.....	52			552-TQ.....	32
		38280.....	50	38710.....	54			552-TS.....	33
		38290.....	50	38770.....	53			567.....	36
20200.....	53	38296.....	50	38771.....	53			568.....	36
		38301.....	55	38810.....	54			58080.....	51
		38305.....	54	38812.....	54			58190.....	51
		38306.....	54	38921.....	54			58220.....	55
		38307.....	55	39100.....	53				
		38308.....	55	39290.....	48				
		38309.....	55	39500.....	53				
		38312.....	55	39551.....	53				
		38313.....	55						

OPTIONAL TUB CLOSURES FOR MOST WATCO COARSE-THREAD BATH WASTES - 1.865"X11.5 TPI

PUSH PULL® Coarse Thread	LIFT & TURN Coarse Thread	PRESFLO® Coarse Thread	FOOT ACTUATED Coarse Thread
<ol style="list-style-type: none"> 01010CP 01010_* 11510 01013CP 01013_* 11507 01016CP* 01016_* 11492CP** 	<ol style="list-style-type: none"> 01010CP 01010_* 11079 11088 11290CP 01013_* 11507 11492CP 01016_* 	<ol style="list-style-type: none"> 11145CP 11145_* 11132 11060CP 11060_* 96039: Suction Cup for removing stopper 	<ol style="list-style-type: none"> 38412CP 38412_* 11492CP* 01016_*
SL, TL, TQ, TS			
<ol style="list-style-type: none"> 01040CP 01040_* 01006CP 01006_* 11495CP 			

* If finish other than Chrome is desired, please use this part number and indicate desired finish.
 ** Plastic Knob, Stopper, and Zinc Body

For 12 tpi, see pages 50 and 54.

PRODUCT INDEX



Find products beginning with...

ITEM #	PAGE	ITEM #	PAGE	ITEM #	PAGE	ITEM #	PAGE	ITEM #	PAGE
5 Cont.		6		9		9 Cont.		Lavatory	
58290.....	50	600-.....	22	900-.....	12	941-.....	14	700-.....	37
58296.....	50	600-SL.....	23	900N-.....	16	948-CA.....	8	800-.....	37
58301.....	55	600-TL.....	23	900NRI-.....	16	948100.....	46	801-.....	37
58305.....	54	600-TS.....	23	900NSA.....	20	948400.....	46		
58306.....	54	601-.....	22	900NSF-.....	16-18	948500.....	46		
58307.....	55	610-.....	24	900TK.....	20	948700-FA.....	44		
58308.....	55	612-.....	24	901-.....	13	948700-PP... 40-42			
58309.....	55	614-.....	24	901N-.....	17	948701-FA.....	45		
58317.....	55	615-.....	24	901NRI-.....	17	948701-PP... 41-43			
58319.....	55	616-.....	24	902-.....	14	94870N-FA... 44-45			
58321.....	55	617-.....	24	91050-.....	48	94870N-PP... 40,42			
58329.....	54	620-.....	23	91100.....	50	94870N... 40,42,44			
58333.....	54	621-.....	23	91105.....	50	951.....	13		
58350.....	55	650-TL.....	23	915-.....	15	958080.....	51		
58390.....	50	650-TS.....	23	91600.....	51	958190.....	51		
58390W.....	50	651-.....	23	91610.....	48	958290.....	50		
58433.....	50	661-.....	23	91615.....	48	959290.....	48		
58490.....	51	68080.....	51	91618.....	48	968080.....	51		
590.....	27	68190.....	51	91651.....	48	968190.....	51		
591-.....	34	68290.....	50	917-.....	15	968290.....	50		
592-.....	35	68296.....	50	918-.....	15	969290.....	48		
59290.....	48	68301.....	55	920.....	12	970-CA.....	9		
593-.....	33	68305.....	54	921.....	13	971-CA.....	10		
594.....	27	68306.....	54	928-CA.....	8	980-CA.....	9		
595.....	27	68307.....	55	928-CASF....	8-10	981-CA.....	10		
598.....	34	68308.....	55	92867 (#23)...	58	990-CA.....	9		
599.....	35	68309.....	55	92874.....	8-10	991-CA.....	10		
		68317.....	55	92888.....	49				
		68319.....	55	92900.....	49				
		68321.....	55	92999.....	49				
		68329.....	54	938-CA.....	8				
		68333.....	54	938080.....	51				
		68390.....	50	938190.....	51				
		68390W.....	50	938250.....	50				
		68433.....	50	938260.....	51				
		68490.....	51	938270.....	51				
		69290.....	48	938290.....	50				
				939290.....	48				
				940-.....	12				

A - Z

CA W/ADA.....	11
FLEX.....	6
FLEX916.....	7
FLEX916N.....	18
FLEX916NRI..	18
FLEX924.....	7
FLEX924N.....	18
FLEX924NRI..	18
U39290.....	48
U939290.....	48
W900-.....	12
W901.....	13
Condensate Adapter.....	57

OPTIONAL TUB CLOSURES FOR MOST WATCO FINE-THREAD BATH WASTES - 1.625"X16 TPI

<p>PUSH PULL® Fine Thread</p> <ol style="list-style-type: none"> 01010CP 01010__* 11510 01013CP 01013__* 11290CP** 11507 01022CP* 01022__* 	<p>LIFT & TURN Fine Thread</p> <ol style="list-style-type: none"> 01010CP 01010__* 11079 11088 11290CP 01013__* 11507 01022CP 01022__* 	<p>PRESFLO® Fine Thread</p> <ol style="list-style-type: none"> 11155CP 11155__* 11131 11070CP 11070__* 96039: Suction Cup for removing stopper 	<p>FOOT ACTUATED Fine Thread</p> <ol style="list-style-type: none"> 38412CP 38412__* 01022CP* 01022__* <p>SL, TL, TQ, TS</p> <ol style="list-style-type: none"> 01040CP 01040__* 01006CP 01006__* 11490CP
---	---	---	--

* If finish other than Chrome is desired, please use this part number and indicate desired finish.
** Plastic Knob, Stopper, and Zinc Body

For 14 tpi, see pages 51 and 55.



INNOVATOR® FLEX SERIES

(Flexible Tubing • Built-In Testing & Snap-On Overflow Plate • Coarse Thread: 11.5 tpi)

WatcoFlex® Direct Drain Only

Complete Bath Wastes
Rough-In Kits
Stopper/Faceplate Kits
PVC and ABS Fittings



LT



LIFT AND TURN



PP



PUSH PULL®



PF

PRESFLO®
ADA

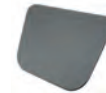


FA

FOOT ACTUATED
ADA

WITH OPTIONAL
W-OVERFLOW COVER

Fits Kohler's Tea-for-Two.



FLEXW ___ - ___ -CP..... **82.95**
BN-BZ-CB-NP-PB..... **127.60**

Add \$1.00
for ABS Fittings

12 Per Carton

COMPLETE BATH WASTE KIT

Complete Bath Wastes Lengths 14.5" to 17" Long	Part Number	Cost
	FLEX-LT-PVC-CP	35.00
	FLEX-PP-PVC-CP	42.15
	FLEX-PF-PVC-CP	40.15
	PF: Not in BO-BS-WH	
	FLEX-FA-PVC-CP	35.00
	FA: BN-BZ-CB-CP-NP-PB-WI	

Other Finishes:

AP	131.20	BS	76.75	PB	69.60
BB	170.60	BZ	75.90	WH	76.10
BN	68.10	CB	103.40	WI	143.40
BO	72.40	NP	85.45		

Complete Bath Wastes Lengths 17.5" to 21" Long	Part Number	Cost
	FLEX-LT-PVC-CP	36.40
	FLEX-PP-PVC-CP	43.60
	FLEX-PF-PVC-CP	41.50
	PF: Not in BO-BS-WH	
	FLEX-LT-PVC-CP	36.40
	FA: BN-BZ-CB-CP-NP-PB-WI	

ADD
\$2.00
For FLEX215
and Longer

Other Finishes:

AP	131.65	BS	78.15	PB	72.90
BB	172.45	BZ	77.15	WH	77.50
BN	69.50	CB	104.80	WI	144.80
BO	73.80	NP	86.45		

ROUGH IN

RI (Rough-IN) Fittings - Tubing - Strainer Body Lengths 14.5" to 17" Long	Part Number	Cost
	FLEX -LTRI-PVC-CP	26.10
	FLEX-PPRI-PVC-CP	30.30
	FLEX-PFRI-PVC-CP	32.45
	PF: Not in BO-BS-WH	
	FLEX-FARI-PVC-CP	26.10
	FA: BN-BZ-CB-CP-NP-PB-WI	

Other Finishes:

AP	74.55	BS	46.05	PB	40.70
BB	97.55	BZ	47.30	WH	43.70
BN	46.15	CB	59.30	WI	81.25
BO	46.05	NP	43.85		

RI (Rough-IN) Fittings - Tubing - Strainer Body Lengths 17.5" to 21" Long	Part Number	Cost
	FLEX -LTRI-PVC-CP	27.50
	FLEX-PPRI-PVC-CP	31.75
	FLEX-PFRI-PVC-CP	33.80
	PF: Not in BO-BS-WH	
	FLEX-FARI-PVC-CP	27.50
	FA: BN-BZ-CB-CP-NP-PB-WI	

ADD
\$2.00
For FLEX215
and Longer

Other Finishes:

AP	75.00	BS	47.45	PB	44.00
BB	99.40	BZ	48.55	WH	45.10
BN	47.55	CB	60.70	WI	82.65
BO	47.45	NP	44.85		

+PLUS+ Stopper/Face Plate

900-Series SF (FLEX___) STOPPER/FACEPLATE NOT A TRIM KIT - NO STRAINER BODY	Part Number	Cost
	900-LTSF-0-CP	8.90
	900-PPSF-0-CP	11.85
	900-PFSF-0-CP	7.70
	PF: Not in BO-BS-WH	
	900-FASF-0-CP	8.90
	FA: BN-BZ-CB-CP-NP-PB-WI	

Other Finishes:

AP	56.65	BS	30.70	PB	28.90
BB	73.05	BZ	28.60	WH	32.40
BN	21.95	CB	44.10	WI	62.15
BO	26.35	NP	41.60		

Example Product #:

FLEX230 — **PF** — **PVC** — **CP** — *******
Series Number Tub Closure Material Finish Option

Each WatcoFlex® bath waste is custom-fit to each bathtub model.

PLEASE PROVIDE THE TUB MANUFACTURER AND MODEL NUMBER WHEN ORDERING.
FLEX___: The length portion (___) of the WatcoFlex® model number will be determined by the tub's dimensions.

Choose either a complete bath waste OR a rough-in kit and stopper/faceplate kit.

Patented and Patents Pending
See watcomfg.com for details.

INNOVATOR® FLEX SERIES



(Flexible Tubing • Built-In Testing & Snap-On Overflow Plate • Coarse Thread: 11.5 tpi)

Flex900 Series Flex916 and Flex 924 Sanitary Tee and Drain Pipe



To order the Flex916 or Flex924 without a Tee or Drain Pipe, add "-13" to part number.

Example:
FLEX916-PP-PVC-CP-13
Subtract \$6.05 from list price of product ordered.
*Available only in -CP

Complete Bath Wastes
Rough-In Kits
Stopper/Faceplate Kits
PVC and ABS Fittings

Add \$1.00 for ABS Fittings

12 Per Carton



COMPLETE BATH WASTE KIT

Complete Bath Wastes With Tubing 16" Long	Part Number	Cost
	FLEX916-LT-PVC-CP	38.65
	FLEX916-PP-PVC-CP	45.85
	FLEX916-PF-PVC-CP	43.75
	PF: Not in BO-BS-WH	
	FLEX916-FA-PVC-CP	38.65
	FA: BN-BZ-CB-CP-NP-PB-WI	

Other Finishes:

AP	134.70	BS	80.25	PB	73.10
BB	176.10	BZ	78.85	WH	79.60
BN	73.05	CB	106.90	WI	146.90
BO	75.90	NP	88.95		

Complete Bath Wastes With Tubing 24" Long	Part Number	Cost
	FLEX924-LT-PVC-CP	40.70
	FLEX924-PP-PVC-CP	47.90
	FLEX924-PF-PVC-CP	45.85
	PF: Not in BO-BS-WH	
	FLEX924-LT-PVC-CP	40.70
	FA: BN-BZ-CB-CP-NP-PB-WI	

Other Finishes:

AP	136.70	BS	82.25	PB	76.15
BB	178.10	BZ	80.15	WH	81.60
BN	74.70	CB	108.90	WI	148.90
BO	77.90	NP	90.95		

ROUGH IN

RI (Rough-IN) Fittings - Tubing - Strainer Body With Tubing 16" Long	Part Number	Cost
	FLEX916-LTRI-PVC-CP	29.75
	FLEX916-PPRI-PVC-CP	34.00
	FLEX916-PFRI-PVC-CP	36.05
	PF: Not in BO-BS-WH	
	FLEX916-FARI-PVC-CP	29.75
	FA: BN-BZ-CB-CP-NP-PB-WI	

Other Finishes:

AP	78.05	BS	49.55	PB	44.20
BB	103.05	BZ	50.25	WH	47.20
BN	51.10	CB	62.80	WI	84.75
BO	49.55	NP	47.35		

RI (Rough-IN) Fittings - Tubing - Strainer Body With Tubing 24" Long	Part Number	Cost
	FLEX924-LTRI-PVC-CP	31.80
	FLEX924-PPRI-PVC-CP	36.05
	FLEX924-PFRI-PVC-CP	38.15
	PF: Not in BO-BS-WH	
	FLEX924-FARI-PVC-CP	31.80
	FA: BN-BZ-CB-CP-NP-PB-WI	

Other Finishes:

AP	80.05	BS	51.55	PB	47.25
BB	105.05	BZ	51.55	WH	49.20
BN	52.75	CB	64.80	WI	86.75
BO	51.55	NP	49.35		

+PLUS+ Stopper/Face Plate

900-Series SF (FLEX__) STOPPER/FACEPLATE NOT A TRIM KIT - NO STRAINER BODY	Part Number	Cost
	900-LTSF-0-CP	8.90
	900-PPSF-0-CP	11.85
	900-PFSF-0-CP	7.70
	PF: Not in BO-BS-WH	
	900-FASF-0-CP	8.90
	FA: BN-BZ-CB-CP-NP-PB-WI	

Other Finishes:

AP	56.65	BS	30.70	PB	28.90
BB	73.05	BZ	28.60	WH	32.40
BN	21.95	CB	44.10	WI	62.15
BO	26.35	NP	41.60		

Example Product #:

FLEX916 — **PF** — **PVC** — **CP** — **---**
Series Number Tub Closure Material Finish Option

The Overflow end of the Flex tubing is factory-welded.

The Tee end of the Flex tubing is loose, designed to be cut and fit in the field, using standard PVC-joining techniques.

Choose either a complete bath waste OR a rough-in kit and stopper/faceplate kit.



INNOVATOR CABLE FLEX®

(Flexible PVC Tubing • OF Elbow Spin-Welded to Tubing • Built-In Testing • Coarse Thread: 11.5 tpi)

Innovator CableFlex® Fully-Testable Cable Bath Waste!

- Fully repairable from inside the tub.
- Overflow installs in minutes.
- Self-centering, aligning, and self-sealing overflow.
- Positive mechanical stop stays open in deep water.



928-CA-PVC-CP
Testable Cable

Schedule 40 Fittings, **PVC**

Add \$1.00
for ABS Fittings

12 Per Carton

COMPLETE BATH WASTE KIT

Complete Bath Wastes Most Tubs up to 16" Deep	Part Number	Cost
	928-CA-PVC-CP	98.30

Other Finishes:

AP 246.70	BS 119.10	NP 178.75
BB 342.55	BZ 129.60	PB 178.95
BN 125.90	CB 184.00	WH 119.10
		WI 179.75

Most Tubs up to 24" Deep	Part Number	Cost
	938-CA-PVC-CP	105.80

Other Finishes:

AP 254.20	BS 126.60	NP 186.65
BB 350.10	BZ 137.10	PB 186.85
BN 133.40	CB 223.05	WH 126.60
		WI 187.25

Most Tubs up to 36" Deep	Part Number	Cost
	948-CA-PVC-CP	118.60

Other Finishes:

AP 267.00	BS 139.40	NP 200.20
BB 362.90	BZ 149.90	PB 200.40
BN 146.20	CB 204.30	WH 139.40
		WI 200.25

Example Product #:

928 — CA — PVC — CP — ***

Series # Tub Closure Material Finish Option

To order the ADA Handle separately



To order bath waste
with the ADA Handle
included, see page 11.

Part Number	Cost
92874-CP	18.05

AP 38.70	BS 20.15	NP 34.55
BB 51.90	BZ 23.75	PB 34.55
BN 21.70	CB 28.40	WH 20.15



To order with the
Theft-Resistant Device

Add "-TR" to cable part number.
Example: 938-CA-PVC-BZ-TR
NO ADDITIONAL CHARGE.

928-CA (21" cable)
Fits most tubs up to 16" deep

938-CA (34" cable)
Fits most tubs up to 24" deep

948-CA (48" cable)
Fits most tubs up to 36" deep

Patented and Patents Pending
See watcomfg.com for details.

ROUGH IN

RI (Rough-IN) Fittings - Tubing - Strainer Most Tubs up to 16" Deep	Part Number	Cost
	928-CARI-PVC-CP	63.85

Other Finishes:

AP 117.75	BS 71.85	NP 90.40
BB 157.90	BZ 75.05	PB 90.60
BN 73.05	CB 94.20	WH 71.85
		WI 90.40

Most Tubs up to 24" Deep	Part Number	Cost
	938-CARI-PVC-CP	71.35

Other Finishes:

AP 125.25	BS 79.35	NP 98.30
BB 165.45	BZ 82.55	PB 98.50
BN 80.55	CB 133.25	WH 79.35
		WI 97.90

Most Tubs up to 36" Deep	Part Number	Cost
	948-CARI-PVC-CP	84.15

Other Finishes:

AP 138.05	BS 92.15	NP 111.85
BB 178.25	BZ 95.35	PB 112.05
BN 93.35	CB 114.50	WH 92.15
		WI 110.90

+PLUS+ Stopper/Face Plate

SF - Stopper/Faceplate For All Innovator Cable Models Not a Trim Kit - No Strainer Body	Part Number	Cost
	928-CASF-CP	34.45

Other Finishes:

AP 128.95	BS 47.25	NP 88.35
BB 184.65	BZ 54.55	PB 88.35
BN 52.85	CB 89.80	WH 47.25
		WI 89.35

To quickly change the finish of the roughed-in strainer body,
order the 928-CASF (above) with the Watco QuickTrim®
strainer body cover and o-ring. Simply snaps over the existing
strainer body.
Order below.

QuickTrim® Strainer Body Cover and O-Ring	Part Number	Cost
	928-CASF-CPQ	53.10



Other Finishes:

APQ 224.95	BSQ 75.50	NPQ 141.00
BBQ 359.10	BZQ 83.90	PBQ 140.00
BNQ 83.65	CBQ 151.65	WHQ 75.50
		WIQ 142.00

INNOVATOR CABLE® COMPLETE KIT



(Solvent-Weld Assembly • Built-In Testing • Coarse Thread: 11.5 tpi)

Innovator Cable® Fully-Testable Cable Bath Waste!

- Fully repairable from inside the tub.
- Overflow installs in minutes.
- Self-centering, aligning, and self-sealing overflow.
- Positive mechanical stop stays open in deep water.

970-CA-PVC-CP
Testable Cable



Schedule 40 Fittings, **ABS and PVC**

Add \$1.00
for ABS Fittings

12 Per Carton

Patented and Patents Pending
See watcomfg.com for details.

970-CA (21" cable)

Fits most tubs up to 16" deep

980-CA (34" cable)

Fits most tubs up to 24" deep

990-CA (48" cable)

Fits most tubs up to 36" deep

COMPLETE BATH WASTE KIT

Complete Bath Wastes Most Tub's up to 16" Deep	Part Number	Cost
	970-CA-PVC-CP	97.65

Other Finishes:

AP 246.05	BS 118.45	NP 178.10
BB 341.90	BZ 128.95	PB 178.25
BN 125.25	CB 183.35	WH 118.45
		WI 161.25

Most Tub's up to 24" Deep	Part Number	Cost
	980-CA-PVC-CP	103.90

Other Finishes:

AP 252.30	BS 124.70	NP 184.65
BB 348.20	BZ 135.20	PB 184.85
BN 131.50	CB 189.60	WH 124.70
		WI 167.50

Most Tub's up to 36" Deep	Part Number	Cost
	990-CA-PVC-CP	112.80

Other Finishes:

AP 261.20	BS 133.65	NP 194.10
BB 357.10	BZ 144.15	PB 194.30
BN 140.45	CB 198.50	WH 133.65
		WI 176.40

Example Product #:

980 — **CA** — **PVC** — **CP** — *******
Series #Tub Closure Material Finish Option

TRIM KITS for Innovator CableFlex® & Innovator Cable®

Regular and QuickTrim cable trim kits available.
For full selection see page 49.



92999



92888

ROUGH IN

RI (Rough-IN) Fittings - Tubing - Strainer Most Tub's up to 16" Deep	Part Number	Cost
	970-CARI-PVC-CP	63.20

Other Finishes:

AP 117.10	BS 71.20	NP 89.75
BB 157.25	BZ 74.40	PB 89.90
BN 72.40	CB 93.55	WH 71.20
		WI 71.90

Most Tub's up to 24" Deep	Part Number	Cost
	980-CARI-PVC-CP	69.45

Other Finishes:

AP 123.35	BS 77.45	NP 96.30
BB 163.55	BZ 80.65	PB 96.50
BN 78.65	CB 99.80	WH 77.45
		WI 78.15

Most Tub's up to 36" Deep	Part Number	Cost
	990-CARI-PVC-CP	78.35

Other Finishes:

AP 132.25	BS 86.40	NP 105.75
BB 172.45	BZ 89.60	PB 105.95
BN 87.60	CB 108.70	WH 86.40
		WI 87.65

+PLUS+ Stopper/Face plate

SF - Stopper/Faceplate For All Innovator Cable Models Not a Trim Kit - No Strainer Body	Part Number	Cost
	928-CASF-CP	34.45

Other Finishes:

AP 128.95	BS 47.25	NP 88.35
BB 184.65	BZ 54.55	PB 88.35
BN 52.85	CB 89.80	WH 47.25
		WI 89.35

To quickly change the finish of the roughed-in strainer body, order the 928-CASF (above) with the Watco QuickTrim® strainer body cover and o-ring. Simply snaps over the existing strainer body. Order below.

QuickTrim® Strainer Body Cover and O-Ring	Part Number	Cost
	928-CASF-CPQ	53.10



Other Finishes:

APQ 224.95	BSQ 75.50	NPQ 141.00
BBQ 359.10	BZQ 83.90	PBQ 140.00
BNQ 83.65	CBQ 151.65	WHQ 75.50
		WIQ 142.00

WATCO



INNOVATOR CABLE® HALF KIT

(Solvent-Weld Assembly • Built-In Testing • Coarse Thread: 11.5 tpi)

Innovator Cable®

Fully-Testable Cable Half Kits!

- Fully repairable from inside the tub.
- Overflow installs in minutes.
- Self-centering, aligning, and self-sealing overflow.
- Positive mechanical stop stays open in deep water.

Schedule 40 Fittings, **ABS** and **PVC**

Add \$1.00
for ABS Fittings

12 Per Carton

BATH WASTE HALF KIT

Innovator® Cable Half Kits Most Tubs up to 16" Deep	Part Number	Cost
	971-CA-PVC-CP	84.85

Other Finishes:

AP 233.25	BS 105.70	NP 164.55
BB 329.10	BZ 116.15	PB 164.70
BN 112.50	CB 170.55	WH 105.70
	WI 148.45	

Most Tubs up to 24" Deep	Part Number	Cost
	981-CA-PVC-CP	85.90

Other Finishes:

AP 234.30	BS 106.75	NP 165.65
BB 330.20	BZ 117.25	PB 165.85
BN 113.50	CB 171.65	WH 106.75
	WI 149.50	

Most Tubs up to 36" Deep	Part Number	Cost
	991-CA-PVC-CP	87.40

Other Finishes:

AP 235.80	BS 108.25	NP 167.25
BB 331.70	BZ 118.70	PB 167.40
BN 115.00	CB 173.10	WH 108.25
	WI 152.00	

Example Product #:

981 — **CA** — **PVC** — **AP** — *******
Series # Tub Closure Material Finish Option

To order the ADA Handle separately



To order bath waste
with the ADA Handle
included, see page 11.

Part Number	Cost
92874-CP	18.05

AP 38.70	BS 20.15	NP 34.55
BB 51.90	BZ 23.75	PB 34.55
BN 21.70	CB 28.40	WH 20.15

To order with the Theft-Resistant Device



Add "TR" to cable part number.
Example: 938-CA-PVC-BZ-TR
NO ADDITIONAL CHARGE.



971-CA-PVC-CP
Testable Cable

971-CA (21" cable)

Fits most tubs up to 16" deep

981-CA (34" cable)

Fits most tubs up to 24" deep

991-CA (48" cable)

Fits most tubs up to 36" deep

Patented and Patents Pending
See watcomfg.com for details.

ROUGH IN

RI (Rough-IN) Fittings - Tubing - Strainer Most Tubs up to 16" Deep	Part Number	Cost
	971-CARI-PVC-CP	50.40

Other Finishes:

AP 104.30	BS 58.45	NP 76.20
BB 144.45	BZ 61.60	PB 76.35
BN 59.65	CB 80.75	WH 58.45
	WI 59.10	

Most Tubs up to 24" Deep	Part Number	Cost
	981-CARI-PVC-CP	51.45

Other Finishes:

AP 105.35	BS 59.50	NP 77.30
BB 145.55	BZ 62.70	PB 77.50
BN 60.65	CB 81.85	WH 59.50
	WI 60.15	

Most Tubs up to 36" Deep	Part Number	Cost
	991-CARI-PVC-CP	52.95

Other Finishes:

AP 106.85	BS 61.00	NP 78.90
BB 147.05	BZ 64.15	PB 79.05
BN 62.15	CB 83.30	WH 61.00
	WI 62.65	

+PLUS+ Stopper/Face Plate

SF - Stopper/Faceplate For All Innovator Cable Models Not a Trim Kit - No Strainer Body	Part Number	Cost
	928-CASF-CP	34.45

Other Finishes:

AP 128.95	BS 47.25	NP 88.35
BB 184.65	BZ 54.55	PB 88.35
BN 52.85	CB 89.80	WH 47.25
	WI 89.35	

To quickly change the finish of the roughed-in strainer body,
order the 928-CASF (above) with the Watco QuickTrim®
strainer body cover and o-ring. Simply snaps over the existing
strainer body.
Order below.

QuickTrim® Strainer Body Cover and O-Ring	Part Number	Cost
	948-CASF-CPQ	53.10



Other Finishes:

APQ 224.95	BSQ 75.50	NPQ 141.00
BBQ 359.10	BZQ 83.90	PBQ 140.00
BNQ 83.65	CBQ 151.65	WHQ 75.50
	WIQ 142.00	

INNOVATOR CABLE® WITH ADA HANDLE



(Solvent-Weld Assembly • Built-In Testing • Coarse Thread: 11.5 tpi)



928
938
948



970
980
990



971
981
991

928-CA-PVC-CPAD	131.65
928-CA-PVC-APAD	326.90
928-CA-PVC-BBAD	452.90
928-CA-PVC-BNAD	167.80
928-CA-PVC-BSAD	158.25
928-CA-PVC-BZAD	174.20
928-CA-PVC-CBAD	242.85
928-CA-PVC-NPAD	231.15
928-CA-PVC-PBAD	231.35
928-CA-PVC-WHAD	158.25
938-CA-PVC-CPAD	140.50
938-CA-PVC-APAD	335.75
938-CA-PVC-BBAD	461.75
938-CA-PVC-BNAD	176.65
938-CA-PVC-BSAD	167.10
938-CA-PVC-BZAD	183.05
938-CA-PVC-CBAD	251.70
938-CA-PVC-NPAD	239.95
938-CA-PVC-PBAD	240.15
938-CA-PVC-WHAD	167.10
948-CA-PVC-CPAD	155.55
948-CA-PVC-APAD	350.80
948-CA-PVC-BBAD	476.80
948-CA-PVC-BNAD	191.70
948-CA-PVC-BSAD	182.15
948-CA-PVC-BZAD	198.10
948-CA-PVC-CBAD	266.75
948-CA-PVC-NPAD	255.00
948-CA-PVC-PBAD	255.20
948-CA-PVC-WHAD	182.15

970-CA- * -CPAD	130.90
970-CA- * -APAD	326.15
970-CA- * -BBAD	452.15
970-CA- * -BNAD	167.05
970-CA- * -BSAD	157.50
970-CA- * -BZAD	173.45
970-CA- * -CBAD	242.10
970-CA- * -NPAD	230.40
970-CA- * -PBAD	230.60
970-CA- * -WHAD	157.50
980-CA- * -CPAD	138.25
980-CA- * -APAD	333.50
980-CA- * -BBAD	459.50
980-CA- * -BNAD	174.40
980-CA- * -BSAD	164.85
980-CA- * -BZAD	180.80
980-CA- * -CBAD	249.45
980-CA- * -NPAD	237.70
980-CA- * -PBAD	237.90
980-CA- * -WHAD	164.85
990-CA- * -CPAD	148.75
990-CA- * -APAD	344.00
990-CA- * -BBAD	470.00
990-CA- * -BNAD	184.90
990-CA- * -BSAD	175.35
990-CA- * -BZAD	191.30
990-CA- * -CBAD	259.95
990-CA- * -NPAD	248.20
990-CA- * -PBAD	248.40
990-CA- * -WHAD	175.35

971-CA- * -CPAD	115.85
971-CA- * -APAD	311.10
971-CA- * -BBAD	437.05
971-CA- * -BNAD	152.00
971-CA- * -BSAD	142.45
971-CA- * -BZAD	158.40
971-CA- * -CBAD	227.05
971-CA- * -NPAD	215.35
971-CA- * -PBAD	215.55
971-CA- * -WHAD	142.45
981-CA- * -CPAD	117.10
981-CA- * -APAD	312.35
981-CA- * -BBAD	438.35
981-CA- * -BNAD	153.20
981-CA- * -BSAD	143.70
981-CA- * -BZAD	159.65
981-CA- * -CBAD	228.30
981-CA- * -NPAD	216.60
981-CA- * -PBAD	216.80
981-CA- * -WHAD	143.70
991-CA- * -CPAD	118.85
991-CA- * -APAD	314.10
991-CA- * -BBAD	440.10
991-CA- * -BNAD	154.95
991-CA- * -BSAD	145.45
991-CA- * -BZAD	161.40
991-CA- * -CBAD	230.05
991-CA- * -NPAD	218.35
991-CA- * -PBAD	218.55
991-CA- * -WHAD	145.45
928-CASF-CPAD	56.55
928-CASF-APAD	188.40
928-CASF-BBAD	267.10
928-CASF-BNAD	81.85
928-CASF-BSAD	73.75
928-CASF-BZAD	85.90
928-CASF-CBAD	132.00
928-CASF-NPAD	130.70
928-CASF-PBAD	130.70
928-CASF-WHAD	73.75

To Order an Innovator Cable® Bath Waste or Half Kit with ADA Handle



Determine bath waste or half kit desired from the previous three pages and find same part number below with "AD" added to part number. Order that part number, using the price indicated with that item.

* Indicate **ABS** or **PVC**



INNOVATOR® 900 SERIES COMPLETE

(Built-In Testing • Snap-On Overflow Plate • Solvent Weld Assembly • Coarse Thread: 11.5 tpi)

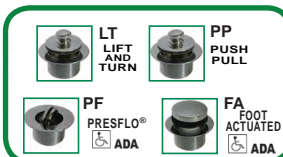
900 Innovator®

Complete Bath Wastes

Fits most tubs up to 16" deep 900-PP
ABS and PVC

Add \$.80
for ABS Fittings

12 Per Carton



#11577 Test Plug
Included with all
900/901 Bath Kits

WITH OPTIONAL
OVERFLOW COVER
Fits Kohler's Tea-for-Two tub.



W900-__-__-CP.. **82.95**
BN-BZ-CB-NP-PB..... **127.60**

COMPLETE BATH WASTE KIT

Most Tubs up to 16" Deep

Part Number	Cost
900-LT-PVC-CP	32.65
900-PP-PVC-CP	39.85
900-PF-PVC-CP	37.80
PF: NOT in BO-BS-WH	
900-FA-PVC-CP	32.65
FA: BN-BZ-CB-CP-NP-PB-WI	

Other Finishes:

AP 130.10	BS 75.65	PB 70.55
BB 166.40	BZ 70.05	WH 68.65
BN 62.25	CB 102.30	WI 142.30
BO 68.05	NP 84.35	

ROUGH IN

900 RI (Rough-IN) Up to 16"

Part Number	Cost
900-LTRI-PVC-CP	23.75
900-PPRI-PVC-CP	28.00
900-PFRI-PVC-CP	30.10
PF: NOT in BO-BS-WH	
900-FARI-PVC-CP	23.75
FA: BN-BZ-CB-CP-NP-PB-WI	

+PLUS+ Stopper/Face Plate

900- Series SF

Part Number	Cost
900-LTSF-0-CP	8.90
900-PPSF-0-CP	11.85
900-PFSF-0-CP	7.70
PF: NOT in BO-BS-WH	
900-FASF-0-CP	8.90
FA: BN-BZ-CB-CP-NP-PB-WI	

AP 56.65	BS 30.70	PB 28.90
BB 73.05	BZ 28.60	WH 32.40
BN 21.95	CB 44.10	WI 62.15
BO 26.35	NP 41.60	

(Built-In Testing • Snap-On Overflow Plate • Solvent Weld Assembly • Coarse Thread: 11.5 tpi)

920 Innovator®

Chrome Only

ABS Stopper and Knob
Brass Strainer Body
ABS and PVC

Add \$.80
for ABS Fittings



COMPLETE BATH WASTE KIT

920 PP Bath Wastes

Part Number	Cost
920-PP-PVC-CP	30.10

ROUGH IN

920 RI (Rough-IN)

Part Number	Cost
921-PPSF-0-CP	8.90

+PLUS+ Stopper/Face Plate

921 - Stopper/Faceplate

Part Number	Cost
920-PPRI-PVC-CP	21.20

(Snap-On Overflow Plate • Solvent Weld Assembly • Fine Thread: 16 tpi)

940 Innovator® Plus

Complete Bath Wastes

Fits most tubs up to 16" deep 940-PP
ABS and PVC - FINE THREAD

Add \$.80
for ABS Fittings

12 Per Carton



COMPLETE BATH WASTE KIT

Most Tubs up to 16" Deep

Part Number	Cost
940-LT-PVC-CP	40.60
940-PP-PVC-CP	47.60
940-PF-PVC-CP	45.60
PF: NOT in BO-BS-WH	
940-FA-PVC-CP	40.60
FA: BN-BZ-CB-CP-NP-PB-WI	

Other Finishes:

AP 114.35	BS 67.55	PB 64.30
BB 150.40	BZ 68.70	WH 60.45
BN 67.20	CB 78.40	WI 109.15
BO 64.30	NP 67.55	

ROUGH IN

940 RI (Rough-IN) Up to 16"

Part Number	Cost
940-LTRI-PVC-CP	31.70
940-PPRI-PVC-CP	35.75
940-PFRI-PVC-CP	34.75
PF: NOT in BO-BS-WH	
940-FARI-PVC-CP	31.70
FA: BN-BZ-CB-CP-NP-PB-WI	

+PLUS+ Stopper/Face plate

900- Series SF

Part Number	Cost
900-LTSF-0-CP	8.90
900-PPSF-0-CP	11.85
940-PFSF-0-CP	10.85
PF: NOT in BO-BS-WH	
900-FASF-0-CP	8.90
FA: BN-BZ-CB-CP-NP-PB-WI	

AP 56.65	BS 30.70	PB 28.90
BB 73.05	BZ 28.60	WH 32.40
BN 21.95	CB 44.10	WI 62.15
BO 26.35	NP 41.60	

INNOVATOR® 900 SERIES HALF KIT



(Built-In Testing • Snap-On Overflow Plate • Solvent Weld Assembly • Coarse Thread: 11.5 tpi)

901 Innovator® Bath Waste Half Kits ABS and PVC



901-PP



WITH OPTIONAL OVERFLOW COVER
Fits Kohler's Tea-for-Two tub.

W900-__-__-CP **82.95**
BN-BZ-CB-NP-PB.....**127.60**

Add \$.80
for ABS Fittings

12 Per Carton

COMPLETE BATH WASTE HALF KIT

Most Tubs up to 16" Deep	
Part Number	Cost
901-LT-PVC-CP	22.35
901-PP-PVC-CP	29.55
901-PF-PVC-CP	27.50
PF: NOT in BO-BS-WH	
901-FA-PVC-CP	22.35
FA: BN-BZ-CB-CP-NP-PB-WI	

Other Finishes:

AP 121.75	BS 67.30	PB 62.60
BB 161.15	BZ 58.90	WH 66.60
BN 51.10	CB 93.95	WI 133.95
BO 60.10	NP 76.00	

ROUGH IN

901 RI (Rough-IN)	
Part Number	Cost
901-LTRI-PVC-CP	13.45
901-PPRI-PVC-CP	17.70
901-PFRI-PVC-CP	19.80
PF: NOT in BO-BS-WH	
901-FARI-PVC-CP	13.45
FA: BN-BZ-CB-CP-NP-PB-WI	

AP 65.10	BS 36.60	PB 33.70
BB 88.10	BZ 30.30	WH 34.20
BN 29.15	CB 49.85	WI 74.80
BO 33.75	NP 34.40	

+PLUS+ Stopper/Face plate

900- Series SF	
Part Number	Cost
900-LTSF-0-CP	8.90
900-PPSF-0-CP	11.85
900-PFSF-0-CP	7.70
PF: NOT in BO-BS-WH	
900-FASF-0-CP	8.90
FA: BN-BZ-CB-CP-NP-PB-WI	

AP 56.65	BS 30.70	PB 28.90
BB 73.05	BZ 28.60	WH 32.40
BN 21.95	CB 44.10	WI 62.15
BO 26.35	NP 41.60	

(Built-In Testing • Snap-On Overflow Plate • Solvent Weld Assembly • Coarse Thread: 11.5 tpi)

921 / 951 Innovator® ABS Stopper and Knob

921 **Chrome Only**
with **Brass Strainer Body**
951 **Chrome Only**
with **Zinc Strainer Body**
ABS or PVC



COMPLETE BATH WASTE HALF KIT

921 / 951 PP Half Kits	
Part Number	Cost
921-LT-PVC-CP	26.60
951-PP-PVC-CP	22.35
951-PP1-PVC-CP	21.15

Add \$.80
for ABS Fittings

12 Per Carton

*PP1= Plastic Pin

ROUGH IN

921 / 951 RI: Rough-In	
Part Number	Cost
921-PPRI-PVC-CP	17.70
951-PPRI-PVC-CP	13.45
951-PPRI-PVC-CP	13.45

+PLUS+ Stopper/Face plate

921 / 951 Series	
Part Number	Cost
921-PPSF-0-CP	8.90
951-PPSF-0-CP	8.90
900SF-PP1-0-CP	7.70



CONDENSATE ADAPTER FOR SCHEDULE 40

To include adapter with bath waste,
add "-CD" to part number. **Add 3.95**
Example: 900-FA-PVC-BN-CD

To order
Condensate Adapter
separately,
see page 57



INNOVATOR® 900 SERIES HALF KIT

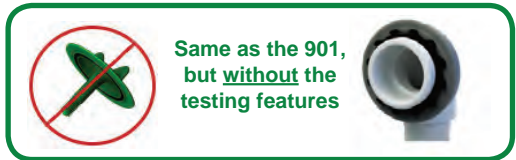
(Built-In Testing • Snap-On Overflow Plate • Solvent Weld Assembly • Coarse Thread: 11.5 tpi)

902 Innovator® Bath Wastes Half Kits

NO Testing
ABS and PVC



902-PP



Same as the 901, but without the testing features

Comes with overflow and drain elbows, overflow plate assembly, and tub closure; no pipe or tee

Add \$.80
for ABS Fittings

12 Per Carton

COMPLETE BATH WASTE HALF KIT

Most Tubs up to 16" Deep	
Part Number	Cost
902-LT-PVC-CP	20.25
902-PP-PVC-CP	27.25
902-PF-PVC-CP	25.25
PF: NOT in BO-BS-WH	
902-FA-PVC-CP	20.25
FA: BN-BZ-CB-CP-NP-PB-WI	

ROUGH IN

900 RI (Rough-IN) Up to 16"	
Part Number	Cost
902-LTRI-PVC-CP	11.35
902-PPRI-PVC-CP	15.40
902-PFRI-PVC-CP	17.55
PF: NOT in BO-BS-WH	
902-FARI-PVC-CP	11.35
FA: BN-BZ-CB-CP-NP-PB-WI	

+PLUS+ Stopper/Face plate

900- Series SF	
Part Number	Cost
900-LTSF-0-CP	8.90
900-PPSF-0-CP	11.85
900-PFSF-0-CP	7.70
PF: NOT in BO-BS-WH	
900-FASF-0-CP	8.90
FA: BN-BZ-CB-CP-NP-PB-WI	

Other Finishes:

AP 119.10	BS 58.45	PB 53.80
BB 154.10	BZ 56.45	WH 58.30
BN 54.45	CB 82.75	WI 119.70
BO 57.55	NP 66.40	

AP 62.45	BS 27.75	PB 24.90
BB 81.05	BZ 27.85	WH 25.90
BN 32.50	CB 38.65	WI 57.55
BO 31.20	NP 24.80	

AP 56.65	BS 30.70	PB 28.90
BB 73.05	BZ 28.60	WH 32.40
BN 21.95	CB 44.10	WI 62.15
BO 26.35	NP 41.60	

(Snap-On Overflow Plate • Solvent Weld Assembly • Fine Thread: 16 tpi)

941 Innovator® Plus Half Kits / Fine Threads

ABS or PVC



941-LT

Add \$.80
for ABS Fittings

12 Per Carton

COMPLETE BATH WASTE HALF KIT

941: Bath Waste Half Kits	
Part Number	Cost
941-LT-PVC-CP	31.60
941-PP-PVC-CP	37.60
941-PF-PVC-CP	35.60
PF: NOT in BO-BS-WH	
941-FA-PVC-CP	31.60
FA: BN-BZ-CB-CP-NP-PB-WI	

ROUGH IN

941: RI (Rough-IN)	
Part Number	Cost
941-LTRI-PVC-CP	22.70
941-PPRI-PVC-CP	25.75
941-PFRI-PVC-CP	24.75
PF: NOT in BO-BS-WH	
941-FARI-PVC-CP	22.70
FA: BN-BZ-CB-CP-NP-PB-WI	

+PLUS+ Stopper/Face plate

900- Series SF	
Part Number	Cost
900-LTSF-0-CP	8.90
900-PPSF-0-CP	11.85
940-PFSF-0-CP	10.85
PF: NOT in BO-BS-WH	
900-FASF-0-CP	8.90
FA: BN-BZ-CB-CP-NP-PB-WI	

Other Finishes:

AP 105.60	BS 59.20	PB 56.35
BB 141.65	BZ 61.40	WH 53.00
BN 60.05	CB 70.05	WI 100.80
BO 56.35	NP 59.20	

AP 48.95	BS 28.50	PB 27.45
BB 68.60	BZ 32.80	WH 20.60
BN 38.10	CB 25.95	WI 38.65
BO 30.00	NP 17.60	

AP 56.65	BS 30.70	PB 28.90
BB 73.05	BZ 28.60	WH 32.40
BN 21.95	CB 44.10	WI 62.15
BO 26.35	NP 41.60	



LT
LIFT AND TURN



PP
PUSH PULL®



PF
PRESFLO®
ADA



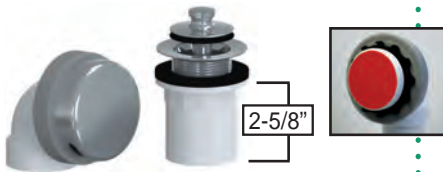
FA
FOOT ACTUATED
ADA

INNOVATOR® 900 SERIES HALF KITS



(Built-In Testing • Snap-On Overflow Plate • Solvent Weld Assembly • Coarse Thread: 11.5 tpi)

Innovator® Half Kits with Adapters 915 HUB ADAPTER



915 Half Kits with Hub Adapter ABS & PVC	
Part Number	Cost
915-LT-PVC-CP	26.90
915-PP-PVC-CP	33.90
915-PF-PVC-CP	31.90
PF: NOT in BO-BS-WH	
915-FA-PVC-CP	26.90
FA: BN-BZ-CB-CP-NP-PB-WI	

AP	101.05	CB	70.25
BB	135.40	NP	59.40
BN	66.90	PB	56.55
BO	59.40	WH	56.55
BS	59.40	WI	101.05
BZ	66.90		

918 SPIGOT - PVC ONLY



918 Half Kits with Spigot Adapter - PVC Only	
Part Number	Cost
918-LT-PVC-CP	26.90
918-PP-PVC-CP	33.90
918-PF-PVC-CP	31.90
PF: NOT in BO-BS-WH	
918-FA-PVC-CP	26.90
FA: BN-BZ-CB-CP-NP-PB-WI	

AP	101.05	CB	70.25
BB	135.40	NP	59.40
BN	66.90	PB	56.55
BO	59.40	WH	56.55
BS	59.40	WI	101.05
BZ	66.90		

917 DRAIN TEE



917 Half Kits with Direct Drain Tee - ABS & PVC	
Part Number	Cost
917-LT-PVC-CP	26.90
917-PP-PVC-CP	33.90
917-PF-PVC-CP	31.90
PF: NOT in BO-BS-WH	
917-FA-PVC-CP	26.90
FA: BN-BZ-CB-CP-NP-PB-WI	

AP	101.05	CB	70.25
BB	135.40	NP	59.40
BN	66.90	PB	56.55
BO	59.40	WH	56.55
BS	59.40	WI	101.05
BZ	66.90		

QuickTrim® Kits

Install chrome on the rough-in and easily upgrade to a special finish without removing the strainer body! See pages 48-49.

- No reduction in flow rate.
- Produces very little additional height or inside-diameter reduction.
- Uses an o-ring for a tight, snug fit (one for brass strainer bodies and one for zinc strainer bodies).
- Eliminates destroying the integrity of your test and the possibility of cross-threading or damaging the tub when replacing the strainer body.



Innovator® QuickTrim® Kits
Page 48



Innovator® Trim Kits
Pages 50 & 51



Coarse-Thread Tub Closures
Page 54



Replacement Stoppers
Pages 54

Schedule 40

Patented and Patents Pending
See watcomfg.com for details.

Innovator® Drain Series

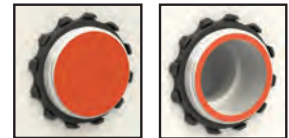
Built-In Testing • Snap-On Overflow Plate • Solvent Weld Assembly • Coarse Thread: 11.5 tpi

900N Innovator® Drain

Complete Bath Wastes

Fits most tubs up to 16" deep

PP1 = Plastic Pin
PP2 = Brass Pin



Overflow Elbow Test Membrane
REMOVE AFTER TESTING



Drain Elbow Test Membrane
REMOVE AFTER TESTING

12 Per Carton

COMPLETE BATH WASTES PLASTIC PIN	
900N-PP1-PVC-WH	30.85
White knob, stopper, and overflow	
900N-PP1-PVC-BS	30.85
Biscuit knob, stopper, and overflow	
900N-PP1-PVC-CP- QTP ..	35.10
With Plastic QuickTrim® body, thick o-ring	

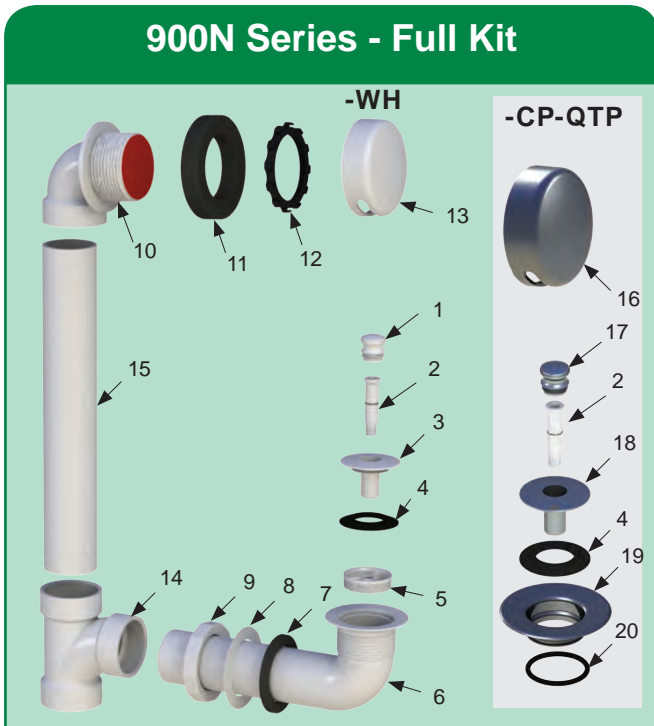
COMPLETE BATH WASTES BRASS PIN	
900N-PP2-PVC-WH	32.50
White knob, stopper, and overflow	
900N-PP2-PVC-BS	32.50
Biscuit knob, stopper, and overflow	
900N-PP2-PVC-CP- QTP ..	38.40
With Plastic QuickTrim® body, thick o-ring	

= 900NRI (ROUGH-IN) UP TO 16" FITTINGS - BUILT-IN BODY	
900NRI-PVC	26.15
900NRI-PVC-BS	26.15
900NRI-ABS	26.15

= 900NRI (ROUGH-IN) UP TO 16" FITTINGS - BUILT-IN BODY	
900NRI-PVC	26.15
900NRI-PVC-BS	26.15
900NRI-ABS	26.15

+ 900NSF-SERIES STOPPER/FACEPLATE • PLASTIC PIN	
900NSF-PP1-WH	4.70
White knob, stopper, and overflow	
900NSF-PP1-BS	4.70
Biscuit knob, stopper, and overflow	
900NSF-PP1-CP- QTP	8.95
With Plastic QuickTrim® body, thick o-ring	

+ 900NSF-SERIES STOPPER/FACEPLATE • BRASS PIN	
900NSF-PP2-WH	6.35
White knob, stopper, and overflow	
900NSF-PP2-BS	6.35
Biscuit knob, stopper, and overflow	
900NSF-PP2-CP- QTP	12.25
With Plastic QuickTrim® body, thick o-ring	



ITEM	PART#	DESCRIPTION	PRICE
1	11307WH	Plastic PP Knob - White	1.20
2	11515	Plastic Pin (11512) & Friction Ring (11504)	1.00
3	11290WH	Plastic Stopper - White	2.05
4	11507	Stopper Seal 1-1/16 Dia.	1.15
5	14013	Innovator® Drain Crossbar, removable	1.75
6	14007	Innovator® Drain Elbow-Long (PVC)	8.30
7	11007	Innovator® Drain Elbow-Long (White ABS)	7.60
8	10691	Innovator® Drain Elbow Rubber Seal	0.80
9	10671	Innovator® Drain Elbow Slip Washer	0.35
10	11480	Innovator® Drain Elbow Retainer Nut	1.95
10	14020	Innovator® Overflow Elbow - Sch 40 PVC	4.65
11	11020	Innovator® Overflow Elbow - Sch 40 ABS	4.65
11	10675	Overflow Elbow Gasket - Foam	1.70
12	11121	Retainer Star Nut for Innovator®	1.70
13	01005WH	Innovator® Faceplate - plastic - White	12.15
14	14010	Sanitary Tee - Sch 40 PVC	5.10
14	14011	Sanitary Tee - Sch 40 ABS	5.10
15	SCHPVC-11.75	Schedule 40 PVC Pipe - 1.5" X 11.75"	4.15
15	SCHABS-11.75	Schedule 40 ABS Pipe - 1.5" X 11.75"	5.40
16	01005CP	Innovator® Faceplate - plastic - Chrome Pl.	3.40
17	11307CP	UnNuFit Plastic Knob - Chrome Plated	1.25
18	11290CP	PP Stopper Plastic Chrome Plated	2.60
19	01053CP	QuickTrim® Plastic Strainer Body Cover	6.85
20	11138	QuickTrim® O-Ring - thick	0.45

Schedule 40

Patented and Patents Pending
See watcomfg.com for details.

Innovator® Drain Series

Built-In Testing • Snap-On Overflow Plate • Solvent Weld Assembly • Coarse Thread: 11.5 tpi

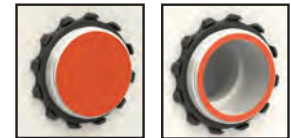
901N Innovator® Drain

Bath Waste Half Kits

PP1 = Plastic Pin
PP2 = Brass Pin



White ABS
Drain Elbow



Overflow Elbow Test Membrane
REMOVE AFTER TESTING



Drain Elbow Test Membrane
REMOVE AFTER TESTING

12 Per Carton

HALF KITS PLASTIC PIN	
901N-PP1-PVC-WH	20.50
White knob, stopper, and overflow	
901N-PP1-PVC-BS	20.50
Biscuit knob, stopper, and overflow	
901N-PP1-PVC-CP-QTP ..	23.75
With Plastic QuickTrim® body, thick o-ring	

= 901NRI (ROUGH-IN) FITTINGS - BUILT-IN BODY		+
901NRI-PVC	15.80	
901NRI-PVC-BS	15.80	
901NRI-ABS	14.80	

900NSF-SERIES STOPPER/FACEPLATE • PLASTIC PIN	
900NSF-PP1-WH	4.70
White knob, stopper, and overflow	
900NSF-PP1-BS	4.70
Biscuit knob, stopper, and overflow	
900NSF-PP1-CP-QTP	8.95
With Plastic QuickTrim® body, thick o-ring	

HALF KITS BRASS PIN	
901N-PP2-PVC-WH	22.15
White knob, stopper, and overflow	
901N-PP2-PVC-BS	22.15
Biscuit knob, stopper, and overflow	
901N-PP2-PVC-CP-QTP ..	25.40
With Plastic QuickTrim® body, thick o-ring	

= 901NRI (ROUGH-IN) FITTINGS - BUILT-IN BODY		+
901NRI-PVC	15.80	
901NRI-PVC-BS	15.80	
901NRI-ABS	13.15	

900NSF-SERIES STOPPER/FACEPLATE • BRASS PIN	
900NSF-PP2-WH	6.35
White knob, stopper, and overflow	
900NSF-PP2-BS	6.35
Biscuit knob, stopper, and overflow	
900NSF-PP2-CP-QTP	12.25
With Plastic QuickTrim® body, thick o-ring	



Item	Part#	Description	Price
1	11307WH	Plastic PP Knob - White	1.20
2	11515	Plastic Pin (11512) & Friction Ring (11504)	1.00
3	11290WH	Plastic Stopper - White	2.05
4	11507	Stopper Seal 1-1/16 Dia.	1.15
5	14013	Innovator® Drain Crossbar, removable	1.75
6	14007	Innovator® Drain Elbow-Long (PVC)	8.30
6	11007	Innovator® Drain Elbow-Long (White ABS)	7.60
7	10691	Innovator® Drain Elbow Rubber Seal	0.80
8	10671	Innovator® Drain Elbow Slip Washer	0.35
9	11480	Innovator® Drain Elbow Retainer Nut	1.95
10	14020	Innovator® Overflow Elbow - Sch 40 PVC	4.65
10	11020	Innovator® Overflow Elbow - Sch 40 ABS	4.65
11	10675	Overflow Elbow Gasket - Foam	1.70
12	11121	Retainer Star Nut for Innovator®	1.70
13	01004WH	Innovator® Faceplate - plastic - White	13.15
16	01005CP	Innovator® Faceplate - plastic - Chrome Pl.	3.40
17	11307CP	UnNuFit Plastic Knob - Chrome Plated	1.25
18	11290CP	PP Stopper - Plastic - Chrome Plated	2.60
19	01050HP	QuickTrim® Plastic Strainer Body Cover	6.85
20	11138	QuickTrim® O-Ring - thick	0.45

Schedule 40

Patented and Patents Pending
See watcomfg.com for details.

Innovator® Drain Series

Built-In Testing • Snap-On Overflow Plate • Solvent Weld Assembly • Coarse Thread: 11.5 tpi

Flex916N Innovator® Drain

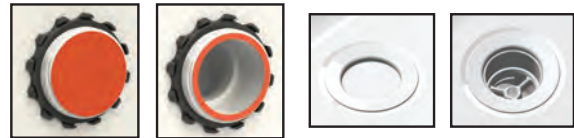
Complete Bath Wastes

PVC only



FLEX916N-PP1

PP1 = Plastic Pin
PP2 = Brass Pin



Overflow Elbow Test Membrane
REMOVE AFTER TESTING

Drain Elbow Test Membrane
REMOVE AFTER TESTING

To order the Flex916N or Flex924N
without a Sanitary Tee,
add “-NTEE” to part number.
Example:
FLEX916N-PP-PVC-WH-NTEE
Subtract \$4.85 from list price of product ordered.

Fits most tubs up to 16” deep

12 Per Carton

FLEX916N BATH WASTES - TUBS TO 16” PLASTIC PIN	
FLEX916N-PP1-PVC-WH	32.45
White knob, stopper, and overflow	
FLEX916N-PP1-PVC-BS	32.45
Biscuit knob, stopper, and overflow	
FLEX916N-PP1-PVC-CP-QTP	36.70
With Plastic QuickTrim® body, thick o-ring	

FLEX916N BATH WASTES - TUBS TO 16” BRASS PIN	
FLEX916N-PP2-PVC-WH	34.10
White knob, stopper, and overflow	
FLEX916N-PP2-PVC-BS	34.10
Biscuit knob, stopper, and overflow	
FLEX916N-PP2-PVC-CP-QTP	40.00
With Plastic QuickTrim® body, thick o-ring	

FLEX916NRI ROUGH-IN FITTINGS - TUBING - BUILT-IN BODY	
FLEX916NRI-PVC ...	27.75
FLEX916NRI-PVC-BS	27.75

900NSF-SERIES STOPPER/FACEPLATE • PLASTIC PIN	
900NSF-PP1-WH	4.70
White knob, stopper, and overflow	
900NSF-PP1-BS	4.70
Biscuit knob, stopper, and overflow	
900NSF-PP1-CP-QTP	8.95
With Plastic QuickTrim® body, thick o-ring	

FLEX916NRI ROUGH-IN FITTINGS - TUBING - BUILT-IN BODY	
FLEX916NRI-PVC ...	27.75
FLEX916NRI-PVC-BS	27.75

900NSF-SERIES STOPPER/FACEPLATE • BRASS PIN	
900NSF-PP2-WH	6.35
White knob, stopper, and overflow	
900NSF-PP2-BS	6.35
Biscuit knob, stopper, and overflow	
900NSF-PP2-CP-QTP	12.25
With Plastic QuickTrim® body, thick o-ring	

Flex924N Innovator® Drain

Complete Bath Wastes – PVC only

Fits most tubs up to 24” deep

12 PER CARTON

FLEX924N BATH WASTES - TUBS TO 24” PLASTIC PIN	
FLEX924N-PP1-PVC-WH	37.60
White knob, stopper, and overflow	
FLEX924N-PP1-PVC-BS	37.60
Biscuit knob, stopper, and overflow	
FLEX924N-PP1-PVC-CP-QTP	41.85
With Plastic QuickTrim® body, thick o-ring	

FLEX924N BATH WASTES - TUBS TO 24” BRASS PIN	
FLEX924N-PP2-PVC-WH	39.25
White knob, stopper, and overflow	
FLEX924N-PP2-PVC-BS	39.25
Biscuit knob, stopper, and overflow	
FLEX924N-PP2-PVC-CP-QTP	45.15
With Plastic QuickTrim® body, thick o-ring	

FLEX924NRI ROUGH-IN FITTINGS - TUBING - BUILT-IN BODY	
FLEX924NRI-PVC ...	32.90
FLEX924NRI-PVC-BS	32.90

900NSF-SERIES STOPPER/FACEPLATE • PLASTIC PIN	
900NSF-PP1-WH	4.70
White knob, stopper, and overflow	
900NSF-PP1-BS	4.70
Biscuit knob, stopper, and overflow	
900NSF-PP1-CP-QTP	8.95
With Plastic QuickTrim® body, thick o-ring	

FLEX924NRI ROUGH-IN FITTINGS - TUBING - BUILT-IN BODY	
FLEX924NRI-PVC ...	32.90
FLEX924NRI-PVC-BS	32.90

900NSF-SERIES STOPPER/FACEPLATE • BRASS PIN	
900NSF-PP2-WH	6.35
White knob, stopper, and overflow	
900NSF-PP2-BS	6.35
Biscuit knob, stopper, and overflow	
900NSF-PP2-CP-QTP	12.25
With Plastic QuickTrim® body, thick o-ring	

Schedule 40

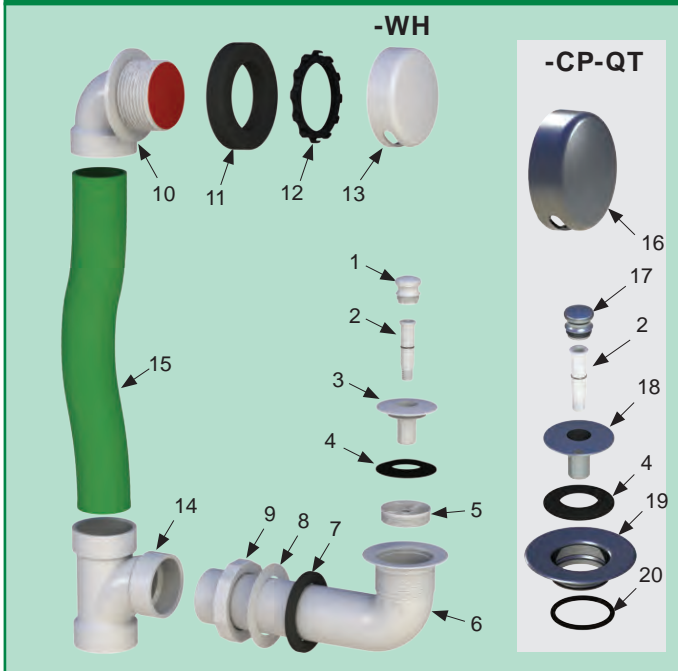
Patented and Patents Pending
See watcomfg.com for details.

Innovator® Drain Series

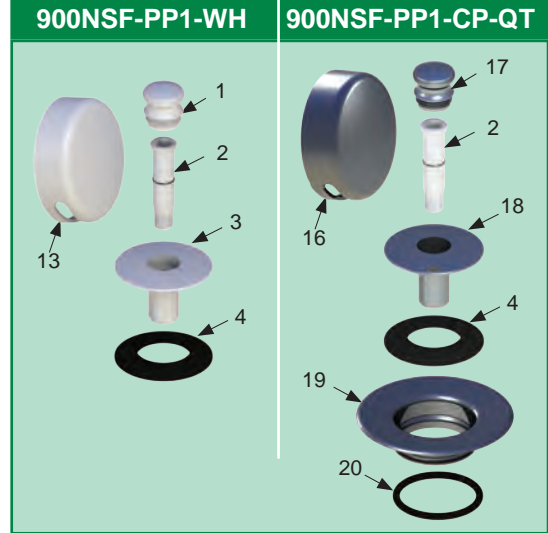
Built-In Testing • Snap-On Overflow Plate • Solvent Weld Assembly • Coarse Thread: 11.5 tpi

Innovator® Drain Specs

FLEX916N Series-Full Kit FLEX924N Series-Full Kit Includes Flexible Pipe



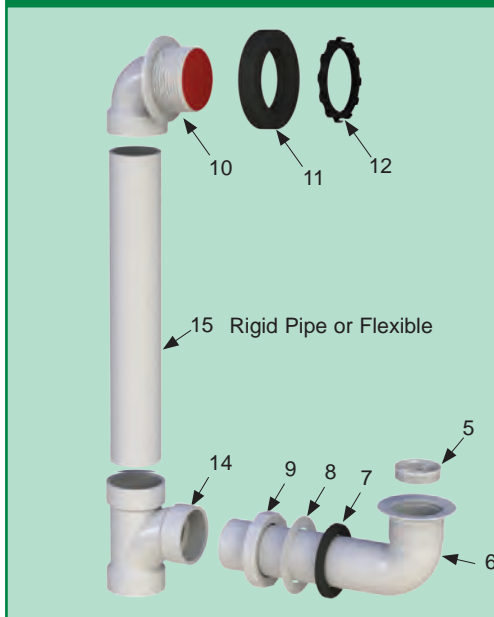
Finish Trim



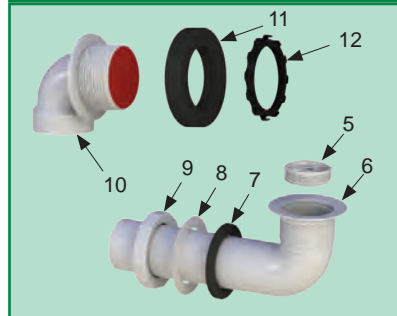
PART#	DESCRIPTION	PRICE
1	11307WH PLASTIC PP KNOB - WHITE	1.20
2	11515 PLASTIC PIN (11512) & FRICTION RING (11504)	1.00
3	11290WH PLASTIC STOPPER - WHITE	2.05
4	11507 STOPPER SEAL 1-1/16 DIA.	1.15
5	14013 INNOVATOR® DRAIN CROSSBAR, REMOVABLE	1.75
6	14007 INNOVATOR® DRAIN ELBOW-LONG (PVC)	8.30
	11007 INNOVATOR® DRAIN ELBOW-LONG (WHITE ABS)	7.60
7	10691 INNOVATOR® DRAIN ELBOW RUBBER SEAL	0.80
8	10671 INNOVATOR® DRAIN ELBOW SLIP WASHER	0.35
9	11480 INNOVATOR® DRAIN ELBOW RETAINER NUT	1.95
10	14020 INNOVATOR® OVERFLOW ELBOW - SCH 40 PVC	4.65
	11020 INNOVATOR® OVERFLOW ELBOW - SCH 40 ABS	4.65
11	10675 OVERFLOW ELBOW GASKET - FOAM	1.70
12	11121 RETAINER STAR NUT FOR INNOVATOR®	1.70
13	01004WH INNOVATOR® FACEPLATE - PLASTIC - WHITE	13.15
14	14010 SANITARY TEE - SCH 40 PVC	5.10
	14011 SANITARY TEE - SCH 40 ABS	5.10
15	NOT SOLD SEPARATELY FLEX916 FLEXIBLE TUBING 1.5" X 16"	
	FLEX924 FLEXIBLE TUBING 1.5" X 24"	
	SCHPVC-11.75 SCHEDULE 40 PVC PIPE - 1.5" X 11.75"	4.15
	SCHABS-11.75 SCHEDULE 40 ABS PIPE - 1.5" X 11.75"	5.40
16	01005CP INNOVATOR® FACEPLATE - PLASTIC - CHROME PL.	3.40
17	11307CP UNNUFIT PLASTIC KNOB - CHROME PLATED	1.25
18	11290CP PP STOPPER - PLASTIC - CHROME PLATED	2.60
19	01050HP QUICKTRIM® PLASTIC STRAINER BODY COVER	6.85
20	11138 QUICKTRIM® O-RING - THICK	0.45

Innovator® Drain Rough-In Kits

Rough-In-Full Kit (Does Not Include Finish Trim) FLEX916NRI-PVC • FLEX924NRI-PVC 900NRI-PVC • 900NRI-ABS



Rough-In-Half Kit (Does Not Include Finish Trim) 901NRI-PVC • 901NRI-ABS



*Innovator® Drain
Replacement Stoppers
on next page.*

Schedule 40

Patented and Patents Pending
See watcomfg.com for details.

Innovator® Drain Series

Built-In Testing • Snap-On Overflow Plate • Solvent Weld Assembly • Coarse Thread: 11.5 tpi

Innovator® Drain

Replacement Stopper Assemblies

Plastic Knob and Stopper
Plastic or Brass Pins



20 Per Carton

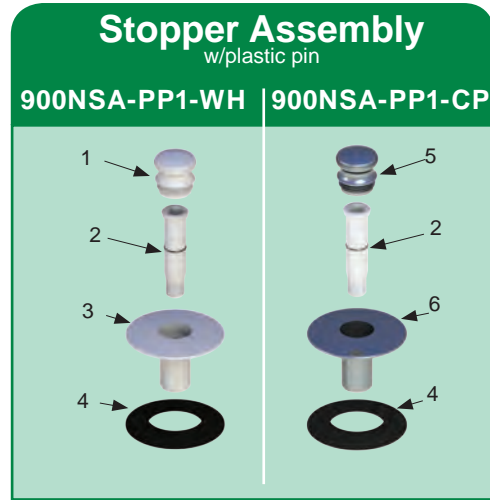
REPLACEMENT STOPPERS PLASTIC PIN

900NSA-PP1-WH ...	5.75
900NSA-PP1-BS	5.75
900NSA-PP1-CP	5.75



REPLACEMENT STOPPERS BRASS PIN

900NSA-PP2-WH ...	7.95
900NSA-PP2-BS	7.95
900NSA-PP2-CP	7.95



ITEM	PART#	DESCRIPTION	PRICE
1	11307WH	Plastic PP Knob - White	1.20
2	11515	Plastic Pin (11512) & Friction Ring (11504)	1.00
3	11290WH	Plastic Stopper - White	2.05
4	11507	Stopper Seal 1-1/16 Dia.	1.15
5	11307CP	UnNuFit Plastic Knob - Chrome Plated	1.25
6	11290CP	PP Stopper - Plastic - Chrome Plated	2.60

*Plastic QuickTrim® Kits in
Chrome-CP, White-WH or Biscuit-BS.
For all Watco® Strainers and Innovator® Drains.*

QuickTrim® Kits



*All Plastic Components

PLASTIC QUICKTRIM® KITS

900TK-PP1- QTP -CP	18.35
900TK-PP1- QTP -WH	18.35
900TK-PP1- QTP -BS	18.35

Comes With Plastic Strainer Body Cover

Schedule 40

Patented and Patents Pending
See watcomfg.com for details.

Perfect Fit 400 Series

Adjustable Flange • Solvent Weld Assembly • Fine Thread 16 tpi • Schedule 40 TechNotes: page 74

400 Perfect Fit

Complete Bath Wastes

Fits most tubs up to 16" deep

ABS or PVC

FINE THREAD - 16 tpi 400-LT

Add \$.80
for ABS Fittings

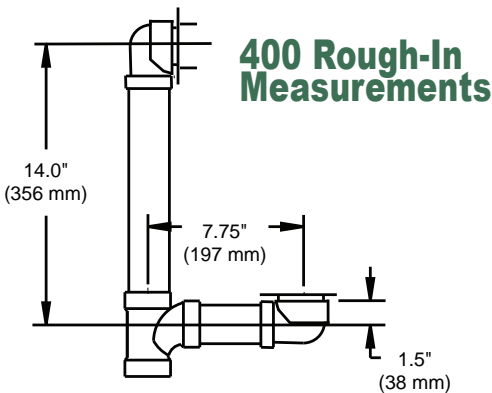
12 Per Carton



Patented Adjustable Flange

This patented, adjustable feature allows a tight-fitting overflow flange on a wide range of tub angles.

The only tool needed is a HAND! It TURNS, not pivots.



401 Perfect Fit

Bath Waste Half Kits

ABS or PVC

FINE THREAD - 16 tpi



401-PP

Example Product #: **400** — **FA** — **PVC** — **CP** — *******
Series Number Stopper Material Finish Option

12 PER CARTON

400: COMPLETE BATH WASTES

Fits most tubs up to 16" deep:

400-LT-PVC-CP **40.60**

400-PP-PVC-CP **47.60**

400-PF-PVC-CP **45.60**

PF: NOT in BO-BS-WH

400-FA-PVC-CP **40.60**

FA: BN-BZ-CB-CP-NP-PB-WI

AP 110.75	BS 69.10	PB 67.15
BB 145.15	BZ 68.55	WH 65.80
BN 68.55	CB 80.00	WI 110.75
BO 65.80	NP 69.10	

401: BATH WASTE HALF KITS

401-LT-PVC-CP **30.60**

401-PP-PVC-CP **37.60**

401-PF-PVC-CP **35.60**

PF: NOT in BO-BS-WH

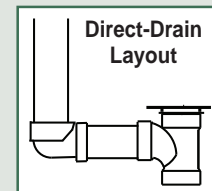
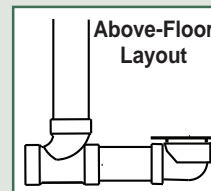
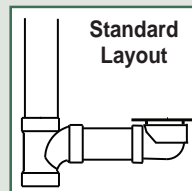
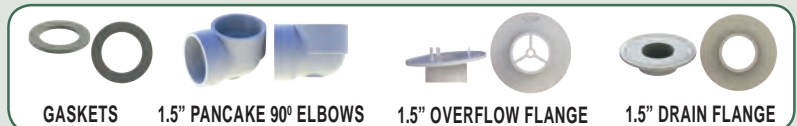
401-FA-PVC-CP **30.60**

FA: BN-BZ-CB-CP-NP-PB-WI

AP 102.40	BS 60.75	PB 59.05
BB 136.80	BZ 61.40	WH 57.85
BN 61.40	CB 71.65	WI 102.40
BO 57.85	NP 60.75	



THE SECRET TO PERFECT FIT'S PERFECT FIT...



400-401 Trim Kits Tub Closures

LT Trim Kit 58080-___	LT Tub Closure 58301-___
PP Trim Kit: ... 38080-___	PP Tub Closure ... 38301-___
PF Trim Kit: ... 38260-___	PF Tub Closure ... 38380-___
FA Trim Kit: ... 68080-___	FA Tub Closure.... 68301-___

940-941 Trim Kits Tub Closures

LT Trim Kit 958080-___	LT Tub Closure 58301-___
PP Trim Kit: ... 938080-___	PP Tub Closure ... 38301-___
PF Trim Kit: ... 938260-___	PF Tub Closure ... 38380-___
FA Trim Kit: ... 968080-___	FA Tub Closure.... 68301-___

FINE-THREAD TRIM KITS: PG 51; TUB CLOSURES: 55

Schedule 40

Patented and Patents Pending
See watcomfg.com for details.

600 Series

Solvent Weld Assembly • PVC or ABS • Coarse Thread 11.5 tpi • 1-Hole Faceplate (2-Hole available)

600

Complete Bath Wastes

Fits most tubs up to 16" deep

ABS or PVC

Add \$.80
for ABS Fittings

12 Per Carton

600-PP



601

Bath Waste Half Kits



600-SF

SF Kits have No
strainer
body.

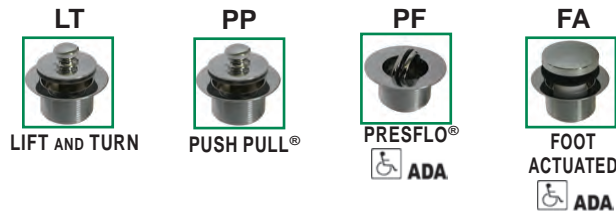


601-LT

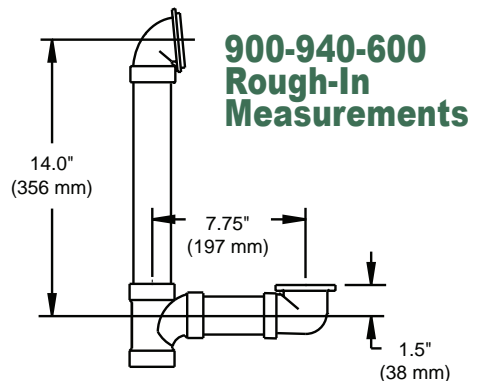
Example Product #: ^u 600 — ^v PF — ^w PVC — ^x BN — ^y ***
Series Number Stopper Material Finish Option

600: COMPLETE BATH WASTES			
<i>Fits most tubs up to 16" deep:</i>			
600-LT-PVC-CP			33.35
600-PP-PVC-CP			40.20
600-PF-PVC-CP			39.35
PF: <u>NOT</u> in BO-BS-WH			
600-FA-PVC-CP			33.75
FA: BN-BZ-CB-CP-NP-PB			
AB 74.65	BS 75.65	PB 70.55	
AP 130.10	BZ 70.05	WH 68.65	
BB 166.40	CB 102.30	WI 142.30	
BN 62.25	NP 84.35		
BO 68.05			

601: BATH WASTE HALF KITS		
601-LT-PVC-CP	23.15	
601-PP-PVC-CP	30.00	
601-PF-PVC-CP	29.15	
PF: <u>NOT</u> in BO-BS-WH		
601-FA-PVC-CP	23.55	
FA: BN-BZ-CB-CP-NP-PB-WI		
AB 66.70	BS 67.30	PB 62.60
AP 121.75	BZ 58.90	WH 66.60
BB 161.15	CB 93.95	WI 133.95
BN 51.10	NP 76.00	
BO 60.10		



600-601 Trim Kits	
LT Trim Kit	58290-__
PP Trim Kit: ...	38290-__
PF Trim Kit: ...	38250-__
FA Trim Kit: ...	68290-__
CT TRIM KITS: pg 50	
Tub Closures	
LT Tub Closure	58305-__
PP Tub Closure ...	38305-__
PF Tub Closure ...	38360-__
FA Tub Closure	68305-__
TC KITS: pg 54	



Schedule 40

Patented and Patents Pending
See watcomfg.com for details.

600 Series

Solvent Weld Assembly • PVC or ABS • Coarse Thread: 11.5 tpi • Schedule 40 TechNotes: page 78

SLIP LOCK® Trip Lever

600-SL

ABS or PVC



Add \$.80
for ABS Fittings
12 Per Carton

Fits most tubs 16" deep:

600-SL-PVC-CP 41.25

BN	77.80	BZ	77.80	PB	70.00
BO	70.00	CB	81.70	WH	70.00
BS	70.00	NP	70.00	WI	123.55



600-SL

Patented

Notice:
All Trip-Lever-Type Drains

Make sure brass linkage is not kinked.

CORRECT

INCORRECT

For trip-lever type trim and linkage kits, & faceplate kits, see pages 52-53 and 56.

TRIP LEVER

600-TL / 650-TL

ABS or PVC

12 Per Carton

Fits most tubs 16" deep:

600-TL-PVC-CP 33.20

BN	71.80	BZ	71.80	PB	61.45
BO	61.45	CB	75.40	WH	61.45
BS	61.45	NP	61.45	WI	104.50



600-TL
650-TL



Patented

TURNSTYLE®

600-TS / 650-TS

ABS or PVC

12 Per Carton

Fits most tubs 16" deep:

600-TS-PVC-CP 70.50

BN	116.60	BZ	116.60	PB	101.25
BO	101.25	CB	122.45	WH	101.25
BS	101.25	NP	101.25	WI	148.05



600-TS
650-TS



Patented

Fits most tubs 24" deep:

10 Per Carton

650-TL-PVC-CP 46.85

BN	87.35	BZ	87.35	PB	77.05
BO	77.05	CB	91.75	WH	77.05
BS	77.05	NP	77.05	WI	120.90

Fits most tubs 24" deep:

10 Per Carton

650-TS-PVC-CP 86.15

BN	132.25	BZ	132.25	PB	116.90
BO	116.90	CB	138.90	WH	116.90
BS	116.90	NP	116.90	WI	180.90

620 Bath Wastes Fits most tubs up to 16" deep

621 Half Kits

ABS Stopper and Knob; Brass Strainer Body

620 / 661 BRASS BODY
COMPLETE BATH WASTES

Bath Waste..... 620-PP-PVC-CP 29.20

Half Kit..... 621-PP-PVC-CP 26.55

Add \$.80
for ABS Fittings

12 Per Carton



620-PP
661-PP

621-PP
651-PP

661 Bath Wastes Fits most tubs up to 16" deep

651 Half Kits

ABS Stopper and Knob; Zinc Strainer Body

661 / 651 ZINC BODY
BATH WASTE & HALF KIT

Bath Waste..... 661-PP-PVC-CP 27.30

Half Kit..... 651-PP-PVC-CP 23.05

Add \$.80
for ABS Fittings

12 Per Carton

Schedule 40

Patented and Patents Pending
See watcomfg.com for details.

600 Series (Cont.)

Solvent Weld Assembly • PVC or ABS • Coarse Thread: 11.5 tpi • Schedule 40 TechNotes: page 74

Example Product #: ^u610 — ^vLT — ^wPVC — ^xAB — ^y***
Series Number Stopper Material Finish Option

Add \$0.80 for ABS Fittings 12 Per Carton

600-Series Quarter Kits with Adapters

610 HUB ADAPTER

Hub Adapters fit outside 1-1/2" Schedule 40 ABS or PVC piping.



610 QUARTER KITS WITH HUB ADAPTER - ABS & PVC			
610-LT-PVC-CP	18.95		
610-PP-PVC-CP	25.95		
610-PF-PVC-CP	23.95		
PF: NOT in BO-BS-WH			
610-FA-PVC-CP	18.95		
FA: BN-BZ-CB-CP-NP-PB-WI			
AP 83.60	CB 57.05		
BB 116.35	NP 46.15		
BN 54.30	PB 43.95		
BO 46.15	WH 43.95		
BS 46.15	WI 83.60		
BZ 54.30			

612 SPIGOT - PVC

Spigot Adapters fit inside 1-1/2" Schedule 40 PVC piping.



612 QUARTER KITS WITH SPIGOT ADAPTOR - PVC ONLY			
612-LT-PVC-CP	18.95		
612-PP-PVC-CP	25.95		
612-PF-PVC-CP	23.95		
PF: NOT in BO-BS-WH			
612-FA-PVC-CP	18.95		
FA: BN-BZ-CB-CP-NP-PB-WI			
AP 83.60	CB 57.05		
BB 116.35	NP 46.15		
BN 54.30	PB 43.95		
BO 46.15	WH 43.95		
BS 46.15	WI 83.60		
BZ 54.30			

614 DRAIN ELBOW



For Drain Elbow Half Kit, see Model 601 on page 25.

614 QUARTER KITS WITH DRAIN ELBOW - ABS & PVC			
614-LT-PVC-CP	18.95		
614-PP-PVC-CP	25.95		
614-PF-PVC-CP	23.95		
PF: NOT in BO-BS-WH			
614-FA-PVC-CP	18.95		
FA: BN-BZ-CB-CP-NP-PB-WI			
AP 83.60	CB 57.05		
BB 116.35	NP 46.15		
BN 54.30	PB 43.95		
BO 46.15	WH 43.95		
BS 46.15	WI 83.60		
BZ 54.30			

600-Series Half Kits with Adapters

Add \$0.80 for ABS Fittings 12 Per Carton

615 HUB ADAPTER



615 HALF KITS WITH HUB ADAPTER - ABS & PVC			
615-LT-PVC-CP	26.90		
615-PP-PVC-CP	33.90		
615-PF-PVC-CP	31.90		
PF: NOT in BO-BS-WH			
615-FA-PVC-CP	26.90		
FA: BN-BZ-CB-CP-NP-PB-WI			
AP 101.05	CB 70.25		
BB 135.40	NP 59.40		
BN 66.90	PB 56.55		
BO 59.40	WH 56.55		
BS 59.40	WI 101.05		
BZ 66.90			

616 SPIGOT - PVC ONLY



616 HALF KITS WITH SPIGOT ADAPTOR - PVC ONLY			
616-LT-PVC-CP	26.90		
616-PP-PVC-CP	33.90		
616-PF-PVC-CP	31.90		
PF: NOT in BO-BS-WH			
616-FA-PVC-CP	26.90		
FA: BN-BZ-CB-CP-NP-PB-WI			
AP 101.05	CB 70.25		
BB 135.40	NP 59.40		
BN 66.90	PB 56.55		
BO 59.40	WH 56.55		
BS 59.40	WI 101.05		
BZ 66.90			

617 DIRECT DRAIN TEE



617 HALF KITS WITH DIRECT DRAIN TEE - ABS & PVC			
617-LT-PVC-CP	26.90		
617-PP-PVC-CP	33.90		
617-PF-PVC-CP	31.90		
PF: NOT in BO-BS-WH			
617-FA-PVC-CP	26.90		
FA: BN-BZ-CB-CP-NP-PB-WI			
AP 101.05	CB 70.25		
BB 135.40	NP 59.40		
BN 66.90	PB 56.55		
BO 59.40	WH 56.55		
BS 59.40	WI 101.05		
BZ 66.90			

Tubular Plastic

Patented and Patents Pending
See watcomfg.com for details.

500 Series

Slip-Joint Assembly • 11.5 tpi • Tubular Plastic TechNotes: page 75

500 Series: 500 / 550 Bath Wastes - 500 Slip Lock® Trip Lever



500

Add \$0.80
for ABS Fittings
12 Per Carton

Complete Bath Wastes

ABS or PVC



PUSH PULL®

Fits most tubs up to 16" deep:

500-LT-PVC-CP 30.65

500-PP-PVC-CP 37.50

500-PF-PVC-CP 36.65

PF: NOT in AB-BO-BS-WH

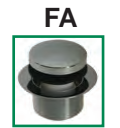
500-FA-PVC-CP 31.05

FA: BN-BZ-CB-CP-NP-PB

AP 104.10	BS 64.25	PB 69.80
BB 151.30	BZ 65.25	WH 69.80
BN 58.10	CB 80.10	WI 113.65
BO 64.25	NP 69.80	



PRESFLO®
ADA



FOOT
ACTUATED
ADA

500-550	
Trim Kits	Tub Closures
LT Trim Kit58290-__-2H	LT Tub Closure.....58305-__
PP Trim Kit:38290-__-2H	PP Tub Closure38305-__
PF Trim Kit:38250-__-2H	PF Tub Closure38360-__
FA Trim Kit:.....68290-__-2H	FA Tub Closure.....68305-__

TRIM KITS: Pgs. 54 – TUB CLOSURES: Pgs. 58



500-PP

550

Add \$0.80
for ABS Fittings
10 Per Carton

Complete Bath Wastes

ABS or PVC

Fits most tubs up to 24" deep:

550-LT-PVC-CP 39.35

550-PP-PVC-CP 46.20

550-PF-PVC-CP 45.35

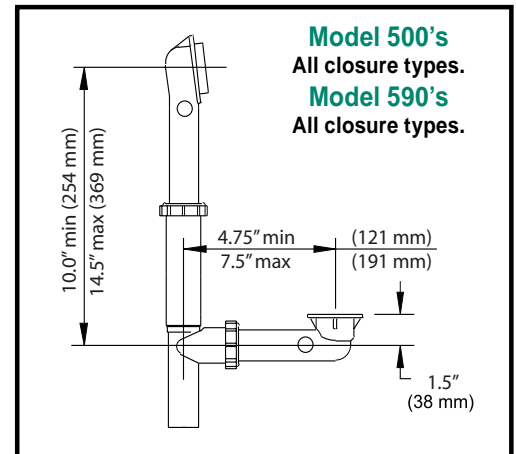
PF: NOT in AB-BO-BS-WH

550-FA-PVC-CP 39.75

FA: BN-BZ-CB-CP-NP-PB

AP 117.10	BS 77.20	PB 73.50
BB 166.25	BZ 81.60	WH 74.25
BN 72.20	CB 95.25	WI 117.10
BO 77.20	NP 77.20	

ROUGHING-IN DIMENSIONS



SLIP LOCK® Trip Lever

500-SL

Add \$0.80
for ABS Fittings
12 Per Carton

Complete Bath Wastes

ABS or PVC

Fits most tubs up to 16" deep:

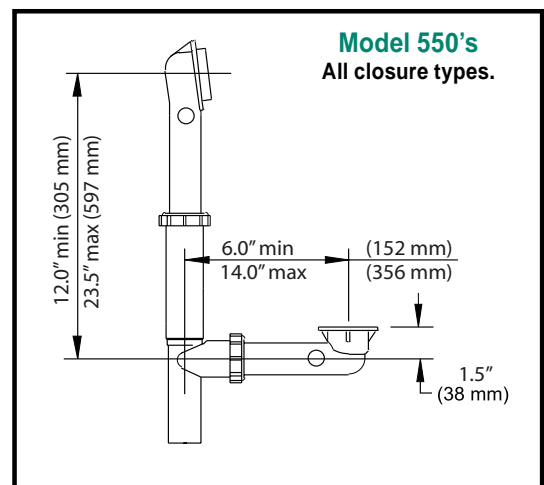
500-SL-PVC-CP 42.00

BN 63.60	BZ 63.60	PB 64.45
BO 67.70	CB 74.20	WH 64.45
BS 67.70	NP 64.45	WI 93.40



ADA

ROUGHING-IN DIMENSIONS



Notice:
All Trip-Lever-Type Drains

Make sure brass linkage is not kinked.

CORRECT
INCORRECT

Trim Kits for SLIP LOCK®
on pages 52-53

Faceplate Kits:
See page 56

Tubular Plastic

Patented and Patents Pending
See watcomfg.com for details.

500 Series

Slip-Joint Assembly • PVC or ABS • Coarse Thread: 11.5 tpi • Tubular Plastic TechNotes: page 78

Complete Bath Wastes QUICK ADJUST® Trip Lever ABS or PVC

500-TQ Add \$0.80 for ABS Fittings
12 Per Carton

Fits most tubs up to 16" deep:

500-TQ-PVC-CP 33.40

BN 60.70	BZ 60.70	PB 64.35
BO 62.15	CB 94.75	WH 69.15
BS 63.30	NP 74.80	WI 116.40

550-TQ Add \$0.80 for ABS Fittings
10 Per Carton

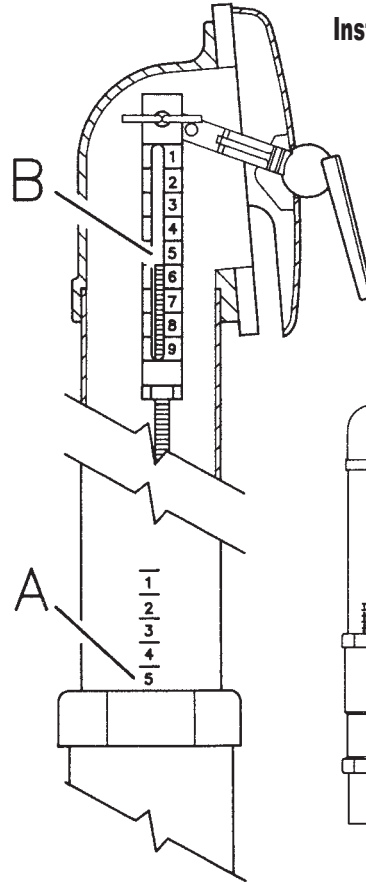
Fits most tubs up to 24" deep:

550-TQ-PVC-CP 49.30

BN 70.45	BZ 72.45	PB 71.90
BO 75.25	CB 99.90	WH 76.20
BS 77.05	NP 81.80	WI 117.95



ADA

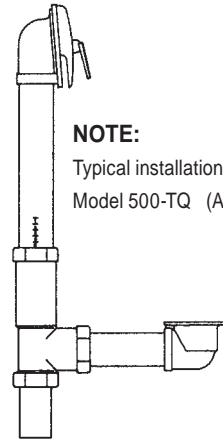


Installation:

- A Establish rough-in length at overflow elbow scale.
- B Adjust threaded-rod end on the linkage clevis until the number matches the number on the overflow elbow scale.

NOTE:

Typical installation for:
Model 500-TQ (ABS or PVC)



Trim Kits for SLIP LOCK®, Trip Lever, and TURNSTYLE® : See pages 52-53 – Faceplate Kits: See page 56.

Complete Bath Wastes TRIP LEVER ABS or PVC

500-TL Add \$0.80 for ABS Fittings
12 Per Carton

Fits most tubs up to 16" deep:

500-TL-PVC-CP 33.15

BN 58.70	BZ 60.70	PB 58.10
BO 62.15	CB 86.15	WH 59.10
BS 63.30	NP 68.00	WI 104.20

550-TL Add \$0.80 for ABS Fittings
10 Per Carton

Fits most tubs up to 24" deep:

550-TL-PVC-CP 49.05

BN 70.45	BZ 72.45	PB 71.90
BO 75.25	CB 99.90	WH 76.20
BS 77.05	NP 81.80	WI 117.95



ADA

Complete Bath Wastes TURNSTYLE® ABS or PVC

500-TS Add \$0.80 for ABS Fittings
12 Per Carton

Fits most tubs up to 16" deep:

500-TS-PVC-CP 62.95

BN 103.50	BZ 103.50	PB 92.60
BO 92.60	CB 108.70	WH 92.60
BS 92.60	NP 92.60	WI 186.30

550-TS Add \$0.80 for ABS Fittings
10 Per Carton

Fits most tubs up to 24" deep:

550-TS-PVC-CP 79.30

BN 116.60	BZ 116.60	PB 105.70
BO 105.70	CB 122.45	WH 105.70
BS 105.70	NP 105.70	WI 199.40



NOT ADA

Tubular Plastic

Patented and Patents Pending
See watcomfg.com for details.

500 Series

Slip-Joint Assembly • PVC or ABS • Coarse Thread: 11.5 tpi • Tubular Plastic TechNotes: page 75

510

Quarter Kit with Coarse-Thread Drain Elbow



510-LT



12 Per Carton

510-LT-PVC-CP	21.80
510-PP-PVC-CP	28.80
510-PF-PVC-CP	26.80
(PF <u>NOT</u> in AB-BO-BS-WH)	
510-FA-PVC-CP	21.80
(FA: BN-BZ-CB-CP-NP-PB-WI)	
AP 90.15	CB 59.65
BB 124.25	NP 48.95
BN 51.15	PB 48.95
BO 48.95	WH 48.95
BS 48.95	WI 90.15
BZ 51.15	

515

Polypropylene 2-Hole Direct Drain

Fits most tubs up to 16" deep



515-LT

12 Per Carton

515-LT-CP	29.65
515-PP-CP	36.65
515-PF-CP	34.65
(PF <u>NOT</u> in AB-BO-BS-WH)	
515-FA-CP	29.65
(FA: BN-BZ-CB-CP-NP-PB-WI)	
AP 103.25	CB 72.80
BB 137.30	NP 63.35
BN 62.40	PB 62.80
BO 63.25	WH 63.35
BS 63.35	WI 103.25
BZ 62.40	

595

Innovator® Tubular PVC & Polypropylene Direct Drain



595-PP

Overflow Elbow: Tubular Plastic PVC Elbow & Drain Tee: Polypropylene

12 Per Carton

595-LT-PVC-CP	29.65
595-PP-PVC-CP	36.65
595-PF-PVC-CP	34.65
PF: <u>NOT</u> in BO-BS-WH	
595-FA-PVC-CP	29.65
(FA: BN-BZ-CB-CP-NP-PB-WI)	
AP 103.25	CB 72.75
BB 137.30	NP 63.35
BN 62.40	PB 62.80
BO 63.25	WH 68.85
BS 63.35	WI 103.25
BZ 62.40	

590

Innovator® Complete Bath Wastes

ABS or PVC

*PP1 = Plastic Pin

Add \$0.80 for ABS Fittings
12 Per Carton



#11114 TEST CAP & #11577 TEST PLUG included with all 590 & 594 Bath Wastes.

590-594-595

Trim Kits

Tub Closures

LT Trim Kit..... 958290-___	LT Tub Closure.... 58305-___
PP Trim Kit: ... 938290-___	PP Tub Closure... 38305-___
PF Trim Kit: ... 938250-___	PF Tub Closure... 38360-___
FA Trim Kit:.... 968290-___	FA Tub Closure.... 68305-___

TRIM KITS: Pgs. 50 – TUB CLOSURES: Pgs. 54

To order the 590-594-595 without the Test Cap and Plug, add "-LTK" to end of part number.

Subtract \$3.70 from list price of product ordered.

590: COMPLETE BATH WASTES

Fits most tubs up to 16" deep:

* 590-PP1-PVC-CP	31.30	
590-LT-PVC-CP	32.50	
590-PP-PVC-CP	39.35	
590-PF-PVC-CP	38.50	
PF: <u>NOT</u> in BO-BS-WH		
590-FA-PVC-CP	32.90	
FA: BN-BZ-CB-CP-NP-PB-WI		
AP 125.00	BS 69.20	PB 69.60
BB 174.75	BZ 68.40	WH 67.85
BN 61.20	CB 88.95	WI 169.85
BO 67.80	NP 84.00	

= **590 RI (ROUGH-IN) UP TO 16" FITTINGS - TUBING - STRAINER BODY** +

Fits most tubs up to 16" deep:

590-LTRI-PVC-CP	23.60	
590-LTRI-PVC-CP	23.60	
590-PPRI-PVC-CP	27.50	
590-PFRI-PVC-CP	30.80	
PF: <u>NOT</u> in BO-BS-WH		
590-FARI-PVC-CP	24.00	
FA: BN-BZ-CB-CP-NP-PB-WI		
AP 68.35	BS 38.50	PB 40.70
BB 101.70	BZ 39.80	WH 35.45
BN 39.25	CB 44.85	WI 107.70
BO 41.45	NP 42.40	

900-SERIES SF (Fits 590s)

STOPPER/FACEPLATE NOT A TRIM KIT - NO STRAINER BODY

Fits all 590's and 595's:

* 900SF-PP1-CP	7.70	
900-LTSF-0-CP	8.90	
900-PPSF-0-CP	11.85	
900-PFSF-0-CP	7.70	
PF: <u>NOT</u> in BO-BS-WH		
900-FASF-0-CP	8.90	
FA: BN-BZ-CB-CP-NP-PB-WI		
AP 56.65	BS 30.70	PB 28.90
BB 73.05	BZ 28.60	WH 32.40
BN 21.95	CB 44.10	WI 62.15
BO 26.35	NP 41.60	

594

Same as the 590 but for most tubs up to 24" deep.

ABS or PVC

594-LT-PVC-CP	43.15
594-PP-PVC-CP	50.00
594-PF-PVC-CP	49.15
PF: <u>NOT</u> in BO-BS-WH	
594-FA-PVC-CP	43.55
FA: BN-BZ-CB-CP-NP-PB-WI	

OTHER FINISHES AVAILABLE:

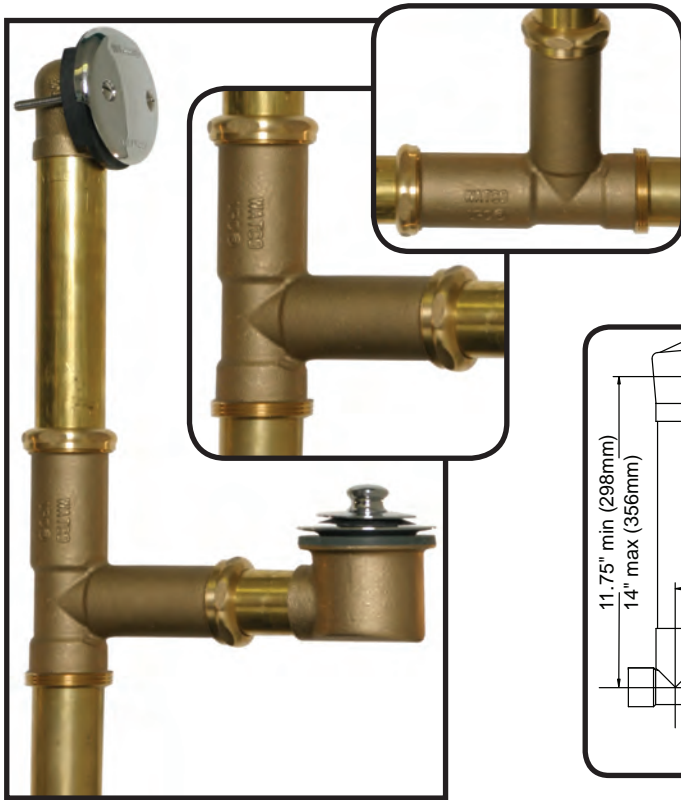
AP 138.05	BS 82.25	PB 76.45
BB 176.70	BZ 74.25	WH 81.10
BN 74.25	CB 102.00	WI 138.05
BO 80.20	NP 90.20	

10 Per Carton

Options for Tubular Brass

Patented and Patents Pending
See watcofmg.com for details.

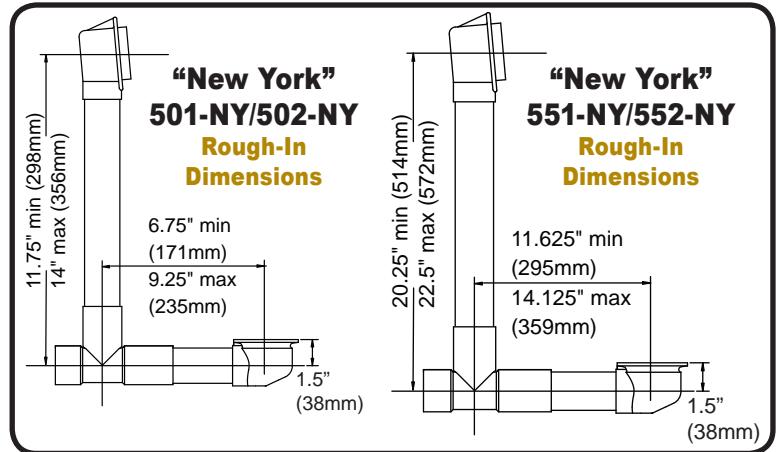
1.5" Pipe • Coarse Thread: 11.5 tpi • 17-Gauge Pipe and 20-Gauge Pipe available



New York Tee (-NY)

Use Watco's New York Tee as a through-the-floor installation without sacrificing adjustability.

For New York Tee, add "-NY" to product number.

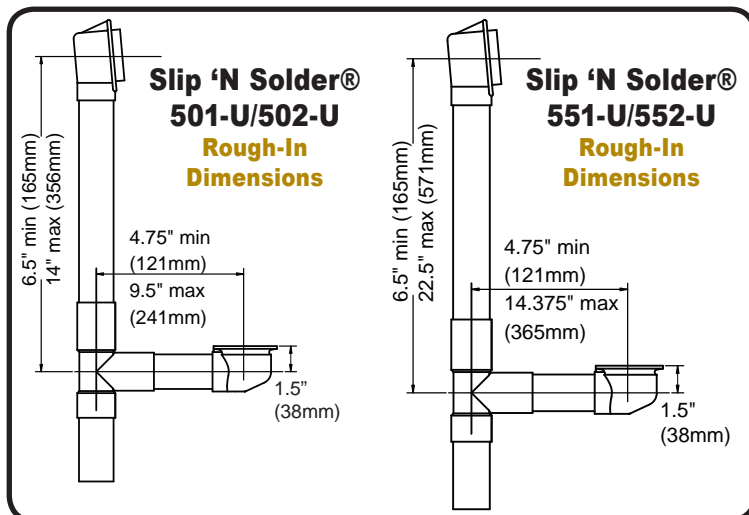
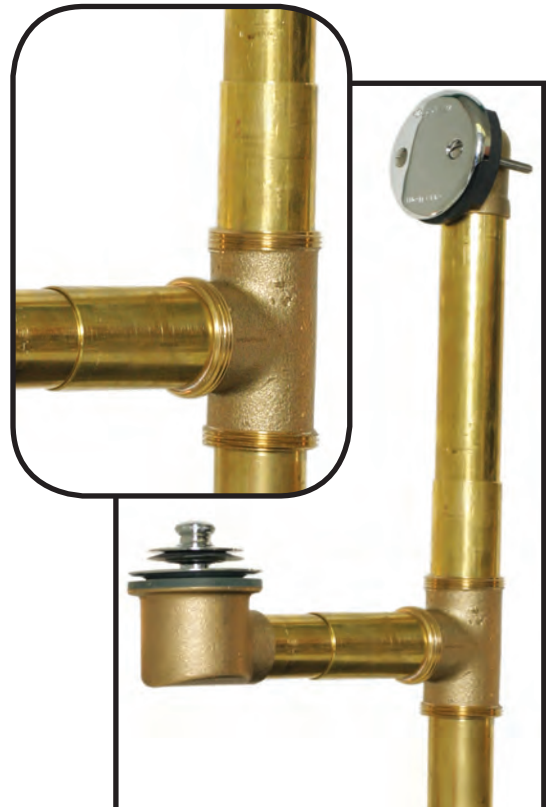


NOTE: These two options cannot be used together on the same bath waste.

Slip 'N Solder® (-U)

- solder two tubes (like copper fittings).
- eliminate an access panel.
- eliminate need for exact lengths.

For Slip "N Solder" unit, add "-U" to product number.



More on Tubular Brass

For Brass TechNotes and extensions, see page 79.

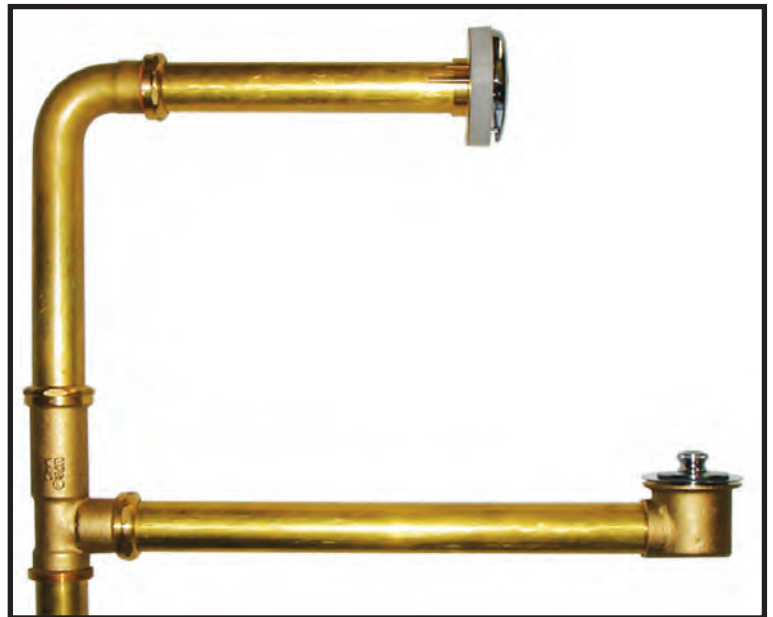
Patented and Patents Pending
See watcomfg.com for details.



Brass Cable
See Page 36.

Brass Condensate Overflow Elbow

See TechNotes
on page 75.



Through-Wall Chicago Code
See Page 36.

Trim Kits & Tub Closures for our brass drains...

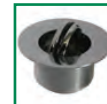
QuickTrim® Kits



**Innovator®
QuickTrim® Kits**
Page 48



Innovator® Trim Kits
Page 50



**Coarse-Thread
Tub Closures**
Page 54



**Replacement
Stoppers**
Page 54

Tubular Brass

Patented and Patents Pending
See watcomfg.com for details.

501/551 Series

17-Gauge Pipe • Coarse Thread: 11.5 tpi • For Brass TechNotes and extensions: page 75



501-PP

Brass Assembly Additional Options

No additional charge.



Slip 'N Solder®

To order, add "U" to item number.



Multiple options with only one tee.

New York Tee

To order, add "NY" to item number.

WHEN ADDING -NY TO ITEM #, ADD \$7.50 TO LIST PRICE

Example Product #: **501** — **PF** — **BRS** — **BZ** — *******
Series Number Stopper Material Finish Option

501 17-Gauge

501s:
12 Per Carton

Fits Most Tubs up to 16" Deep

501 17G: MOST TUBS UP TO 16" DEEP COMPLETE BATH WASTES

Fits most tubs up to 16" deep:

501-LT-BRS-CP	89.35
501-PP-BRS-CP	96.20
501-PF-BRS-CP	95.35
PF: <u>NOT</u> in AB-BO-BS-WH	
501-FA-BRS-CP	89.75
FA: BN-BZ-CB-CP-NP-PB-WI	

AP 196.35	BS 137.55	PB 151.30
BB 245.25	BZ 148.05	WH 130.00
BN 129.80	CB 164.90	WI 206.15
BO 137.55	NP 158.90	

551 17-Gauge

551s:
10 Per Carton

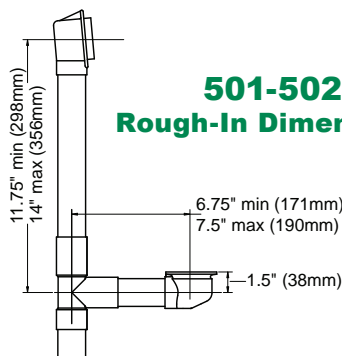
Fits Most Tubs up to 24" Deep

551 17G: MOST TUBS UP TO 24" DEEP COMPLETE BATH WASTES

Fits most tubs up to 24" deep:

551-LT-BRS-CP	109.40
551-PP-BRS-CP	116.25
551-PF-BRS-CP	115.40
PF: <u>NOT</u> in AB-BO-BS-WH	
551-FA-BRS-CP	109.80
FA: BN-BZ-CB-CP-NP-PB-WI	

AP 218.15	BS 158.30	PB 174.15
BB 268.10	BZ 168.55	WH 149.65
BN 153.25	CB 187.75	WI 228.95
BO 158.30	NP 174.60	



501-551-502-552

Trim Kits

LT Trim Kit	58290-__-2H
PP Trim Kit	38290-__-2H
PF Trim Kit	38250-__-2H
FA Trim Kit	68290-__-2H

TRIM KITS: Pg. 50

Tub Closures

LT Tub Closure	58305-__
PP Tub Closure	38305-__
PF Tub Closure	38360-__
FA Tub Closure	68305-__

TUB CLOSURES: Pg. 54

Tubular Brass

Patented and Patents Pending
See watcomfg.com for details.

502/552 Series

20-Gauge Brass Pipe • Coarse Thread: 11.5 tpi • For Brass TechNotes and extensions: page 75

20-Gauge Brass: 502 / 552 Series



502-PP

Brass Assembly Additional Options

No additional charge.



Slip 'N Solder®

To order, add "U" to item number.

OR



Multiple options with only one tee.

New York Tee

To order, add "NY" to item number.

WHEN ADDING -NY TO ITEM #, ADD \$7.50 TO LIST PRICE

Example Product #: u v w x y
 Series Number Stopper Material Finish Option
 Example: 501 — PF — BRS — BZ — ***

502 20-Gauge

502s:
12 Per Carton

Fits Most Tubs up to 16" Deep

502 20G: MOST TUBS UP TO 16" DEEP COMPLETE BATH WASTES

Fits most tubs up to 16" deep:

502-LT-BRS-CP 84.75

502-PP-BRS-CP 91.60

502-PF-BRS-CP 90.75

PF: NOT in BO-BS-WH

502-FA-BRS-CP 85.15

FA: BN-BZ-CB-CP-NP-PB-WI

AP 189.40	BS 130.90	PB 130.90
BB 226.55	BZ 128.60	WH 117.85
BN 128.60	CB 150.00	WI 189.40
BO 130.90	NP 137.45	

552 20-Gauge

552s:
10 Per Carton

Fits Most Tubs up to 24" Deep

552 20G: MOST TUBS UP TO 24" DEEP COMPLETE BATH WASTES

Fits most tubs up to 24" deep:

552-LT-BRS-CP 104.95

552-PP-BRS-CP 111.80

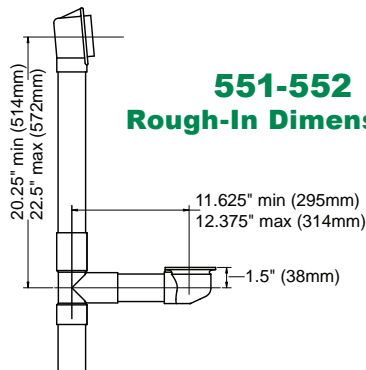
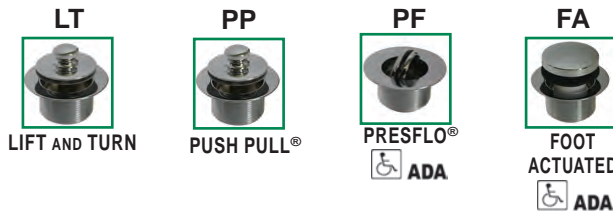
552-PF-BRS-CP 110.95

PF: NOT in BO-BS-WH

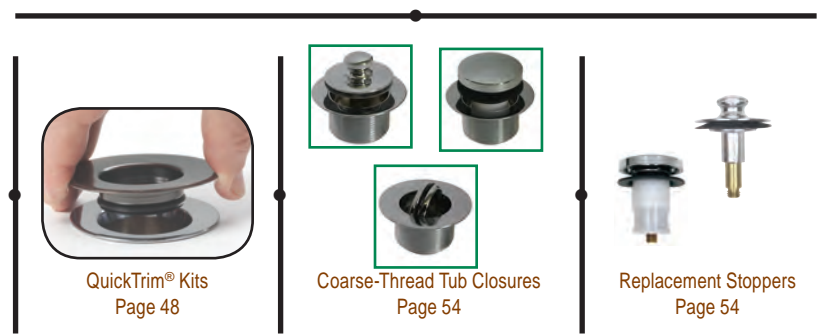
552-FA-BRS-CP 98.20

FA: BN-BZ-CB-CP-NP-PB-WI

AP 211.20	BS 151.65	PB 151.65
BB 248.35	BZ 147.30	WH 136.50
BN 147.30	CB 171.85	WI 211.20
BO 151.65	NP 159.25	



551-552 Rough-In Dimensions



QuickTrim® Kits
Page 48

Coarse-Thread Tub Closures
Page 54

Replacement Stoppers
Page 54

Tubular Brass

Patented and Patents Pending
See watcomfg.com for details.

Trip Lever Models

17-G & 20-G Brass Pipe • Coarse Thread: 11.5 tpi • For Brass TechNotes and extensions: page 75

Example Product #: **552** — **TQ** — **BRS** — **BO** — *******
Series Number Stopper Material Finish Option

QUICK ADJUST® ADA

501-TQ 17-Gauge

Fits Most Tubs up to 16" Deep

501-TQ-BRS-CP 98.70

BN 146.50	CB 179.50	WH 141.10
BO 136.40	NP 146.30	WI 215.95
BS 138.35	PB 136.40	
BZ 148.50		

501s/502s:
12 Per Carton



QUICK ADJUST® ADA

551-TQ 17-Gauge

Fits Most Tubs up to 24" Deep

551-TQ-BRS-CP 126.85

BN 168.20	CB 201.25	WH 160.75
BO 159.80	NP 165.95	WI 235.60
BS 158.00	PB 156.05	
BZ 168.20		

551s/552s:
10 Per Carton



502-TQ 20-Gauge

Fits Most Tubs up to 16" Deep

502-TQ-BRS-CP 95.25

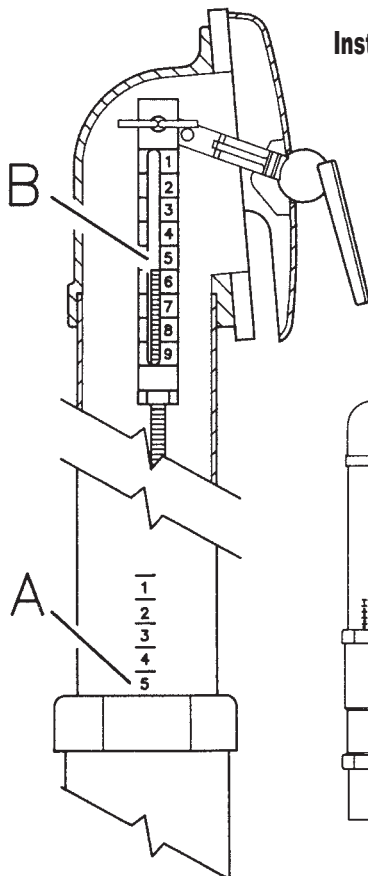
BN 142.20	CB 172.50	WH 134.75
BO 133.80	NP 139.95	WI 209.60
BS 132.00	PB 130.05	
BZ 142.20		

552-TQ 20-Gauge

Fits Most Tubs up to 24" Deep

552-TQ-BRS-CP 121.65

BN 161.90	CB 194.30	WH 154.50
BO 153.55	NP 159.70	WI 229.35
BS 151.75	PB 149.80	
BZ 161.90		



Installation:

- A Establish rough-in length at overflow elbow scale.
- B Adjust threaded-rod end on the linkage clevis until the number matches the number on the overflow elbow scale.

NOTE:

Typical installation for:
 Model 500-TQ (ABS or PVC)
 Model 501-TQ (17ga Brass)
 Model 502-TQ (20ga Brass)

Trim Kits for SLIP LOCK®, Trip Lever, and TURNSTYLE® : See pages 52-53 – Faceplate Kits: See page 56.

Trip Lever Bath Wastes require through-the-floor installation.

Tubular Brass

Patented and Patents Pending
See watcomfg.com for details.

TURNSTYLE® - Direct Drain

17-G & 20-G Brass Pipe • Coarse Thread: 11.5 tpi • For Brass TechNotes and extensions: page 75

Example Product #: **552** — **LT** — **BRS** — **BO** — *******
Series Number Stopper Material Finish Option

TURNSTYLE®

NOT
ADA

501-TS 17-Gauge

Fits Most Tubs up to 16" Deep

501-TS-BRS-CP..... 137.35

BN 185.50	BZ 185.50	PB 175.90
BO 175.90	CB 185.50	WH 175.90
BS 175.90	NP 175.90	WI 206.10

501s/502s:
12 Per Carton

502-TS 20-Gauge

Fits Most Tubs up to 16" Deep

502-TS-BRS-CP..... 131.40

BN 179.50	BZ 179.50	PB 169.90
BO 169.90	CB 179.50	WH 169.90
BS 169.90	NP 169.90	WI 200.05

TURNSTYLE®

NOT
ADA

551-TS 17-Gauge

Fits Most Tubs up to 24" Deep

551-TS-BRS-CP..... 156.10

BN 204.20	BZ 204.20	PB 194.55
BO 194.55	CB 204.20	WH 194.55
BS 194.55	NP 194.55	WI 224.75

551s/552s:
10 Per Carton

552-TS 20-Gauge

Fits Most Tubs up to 24" Deep

552-TS-BRS-CP..... 150.05

BN 198.20	BZ 198.20	PB 188.55
BO 188.55	CB 198.20	WH 188.55
BS 188.55	NP 188.55	WI 218.70

NOT
ADA

Trim Kits for SLIP LOCK®, Trip Lever, and TURNSTYLE® : See pages 52-53 – Faceplate Kits: See page 56.



511 17-Gauge

Tub Closure with
18.125" Extension

12 Per Carton

511-LT-BRS-CP 58.00

511-PP-BRS-CP 65.00

511-PF-BRS-CP 63.00

(PF NOT in BO-BS-WH)

511-FA-BRS-CP 58.00

(FA: BN-BZ-CB-CP-NP-PB-WI)

AP 134.15	BS 98.95	PB 98.95
BB 166.55	BZ 109.70	WH 98.95
BN 109.70	CB 109.70	WI 134.15
BO 98.95	NP 98.95	

511-TL 17-Gauge



131.40

The 511 above but with Trip Lever Dome Cover Strainer Plate and Strainer Cover Plate Screw instead of a stopper assembly.
Available in Chrome Plated Finish Only



512 17-Gauge

2-Hole
Direct Drain
Fits Most Tubs
up to 16" Deep

12 Per Carton

512-LT-BRS-CP 96.45

512-PP-BRS-CP 103.30

512-PF-BRS-CP 102.35

(PF NOT in BO-BS-WH)=

512-FA-BRS-CP 96.85

(FA: BN-BZ-CB-CP-NP-PB-WI)

AP 187.00	BS 144.45	PB 144.45
BB 233.55	BZ 134.60	WH 144.45
BN 134.60	CB 157.05	WI 196.35
BO 144.45	NP 144.45	

512 Trim Kits same as 501's

TRIM KITS: Pg. 50 – TUB CLOSURES: Pg. 54

593 17-Gauge

Innovator® Direct
Drain Fits Most Tubs
up to 16" Deep



12 Per Carton

#11114 TEST CAP & #11575 TEST PLUG
included in all 593 Bath Wastes.

593-LT-BRS-CP 103.50

593-PP-BRS-CP 110.35

593-PF-BRS-CP 109.50

(PF NOT in BO-BS-WH)

593-FA-BRS-CP 103.90

(FA: BN-BZ-CB-CP-NP-PB-WI)

AP 187.00	BS 144.45	PB 144.45
BB 233.55	BZ 134.60	WH 144.45
BN 134.60	CB 157.05	WI 196.35
BO 144.45	NP 144.45	

593 Trim Kits same as 591's

TRIM KITS: Pg. 50 – TUB CLOSURES: Pg. 54

Tubular Brass

Patented and Patents Pending
See watcomfg.com for details.

17g Brass Innovator®

17-Gauge Brass Pipe • Coarse Thread: 11.5 tpi • For Brass TechNotes and extensions: page 75



591-PP

Brass Assembly Additional Options

No additional charge.



Slip 'N Solder®

To order, add "U" to item number.

OR



Multiple options with only one tee.

New York Tee

To order, add "NY" to item number.

WHEN ADDING -NY TO ITEM #, ADD \$7.50 TO LIST PRICE

Example Product #: 591 — PP — BRS — BN — ***
Series Number Stopper Material Finish Option

591 17-Gauge

591s:
12 Per Carton

Fits Most Tubs up to 16" Deep

591 17G: MOST TUBS UP TO 16" DEEP COMPLETE BATH WASTES

Fits most tubs up to 16" deep:

591-LT-BRS-CP	96.90
591-PP-BRS-CP	103.75
591-PF-BRS-CP	102.90
PF: <u>NOT</u> in BO-BS-WH	
591-FA-BRS-CP	97.30
FA: BN-BZ-CB-CP-NP-PB-WI	

AP 217.30	BS 139.50	PB 151.30
BB 267.85	BZ 158.10	WH 134.95
BN 134.60	CB 181.05	WI 228.15
BO 141.30	NP 169.80	

598 17-Gauge

598s:
12 Per Carton

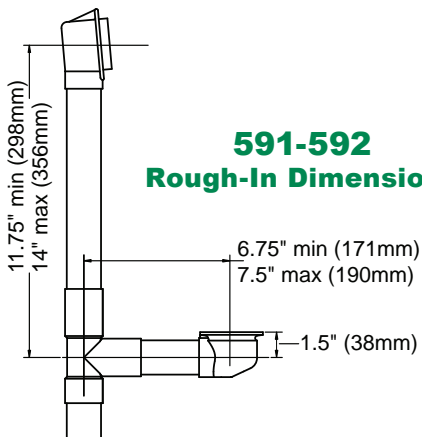
Fits Most Tubs up to 24" Deep

598 17G: MOST TUBS UP TO 24" DEEP COMPLETE BATH WASTES

Fits most tubs up to 24" deep:

598-LT-BRS-CP	118.15
598-PP-BRS-CP	125.00
598-PF-BRS-CP	124.15
PF: <u>NOT</u> in BO-BS-WH	
598-FA-BRS-CP	118.55
FA: BN-BZ-CB-CP-NP-PB-WI	

AP 239.10	BS 160.25	PB 158.30
BB 276.90	BZ 163.25	WH 147.20
BN 161.25	CB 194.15	WI 239.00
BO 162.05	NP 176.15	



591-592-598-599

Trim Kits	Tub Closures
LT Trim Kit..... 958290-___	LT Tub Closure.... 58305-___
PP Trim Kit: ... 938290-___	PP Tub Closure ... 38305-___
PF Trim Kit: ... 938250-___	PF Tub Closure ... 38360-___
FA Trim Kit:.... 968290-___	FA Tub Closure.... 68305-___

TRIM KITS: Pg. 50 – TUB CLOSURES: Pg. 54

#11114 TEST CAP & #11577 TEST PLUG

included with all 591 & 598 Bath Wastes.



To order without the Test Cap and Plug, add "-LTK" to end of part number. Subtract \$3.70 from list price.

Tubular Brass

Patented and Patents Pending
See watcomfg.com for details.

20g Brass Innovator®

20-Gauge Brass Pipe • Coarse Thread: 11.5 tpi • For Brass TechNotes and extensions: page 75

20-Gauge Innovator®: 592 / 599



592-PP

Brass Assembly Additional Options

No additional charge.



Slip 'N Solder®

To order, add "U" to item number.

OR



Multiple options with only one tee.

New York Tee

To order, add "NY" to item number.

WHEN ADDING -NY TO ITEM #, ADD \$7.50 TO LIST PRICE

Example Product #: 592 — LTRI — BRS — CP — ***
Series Number Stopper Material Finish Option

592 20-Gauge

592s: 12 Per Carton

Fits Most Tubs up to 16" Deep

592 20G: MOST TUBS UP TO 16" DEEP COMPLETE BATH WASTES

Fits most tubs up to 16" deep:

592-LT-BRS-CP 91.40

592-PP-BRS-CP 98.25

592-PF-BRS-CP 97.40

PF: NOT in BO-BS-WH

592-FA-BRS-CP 91.80

FA: BN-BZ-CB-CP-NP-PB-WI

AP 210.35	BS 132.85	PB 130.90
BB 248.10	BZ 128.60	WH 122.55
BN 128.60	CB 165.35	WI 210.35
BO 134.65	NP 147.35	

599 20-Gauge

599s: 12 Per Carton

Fits Most Tubs up to 24" Deep

599 20G: MOST TUBS UP TO 24" DEEP COMPLETE BATH WASTES

Fits most tubs up to 24" deep:

599-LT-BRS-CP 108.80

599-PP-BRS-CP 115.65

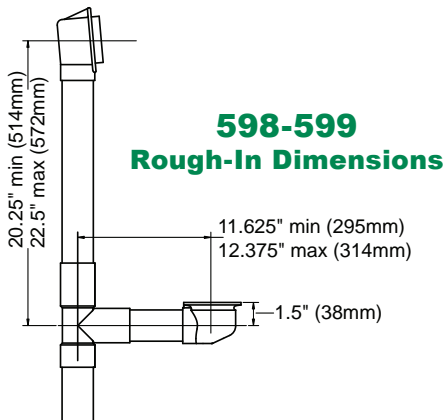
599-PF-BRS-CP 114.80

PF: NOT in BO-BS-WH

599-FA-BRS-CP 109.20

FA: BN-BZ-CB-CP-NP-PB-WI

AP 232.15	BS 153.60	PB 151.65
BB 269.90	BZ 147.30	WH 141.20
BN 147.30	CB 187.20	WI 232.15
BO 155.40	NP 169.15	



#11114 TEST CAP & #11577 TEST PLUG
included with all 592 & 599 Bath Wastes.



Tubular Brass

Patented and Patents Pending
See watcomfg.com for details.

Cable (Non-Testable)

20-Gauge Brass Pipe • Coarse Thread: 11.5 tpi • For Brass TechNotes and extensions, see page 75.

528 Cable 20-Gauge

Fits Most Tubs up to 16" Deep

528-CA-BRS-CP **183.15**

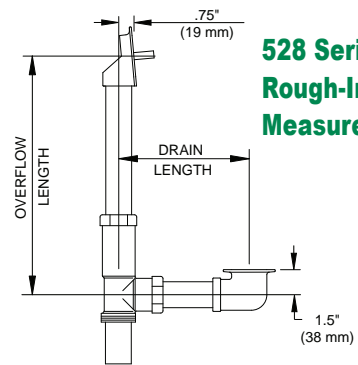
BN 238.50	BZ 238.50	PB 227.95
BO 227.95	CB 238.50	WH 227.95
BS 227.95	NP 227.95	WI 366.20

528s:
12 Per Carton

For 17-gauge, add \$6.70 to **528** prices. Add -17G



538-CA-BRS-BZ



528 Series
Rough-In
Measurements

528-CA Overflow length plus drain length cannot exceed 28 inches.
Overflow Length = 20 inches
Drain Length = 8 inches

538-CA Overflow length plus drain length cannot exceed 38 inches.
Overflow Length = 28 inches
Drain Length = 10 inches

538 Cable 20-Gauge

Fits Most Tubs up to 24" Deep

538-CA-BRS-CP **203.85**

BVN 259.25	BZ 259.25	PB 248.70
BO 248.70	CB 259.25	WH 248.70
BS 248.70	NP 248.70	WI 386.90

538s:
10 Per Carton

For 17-gauge, add \$7.70 to **538** prices. Add -17G

For Slip "N Solder" unit, add suffix "U" to product number.

Cable Trim Kits: Page 49

Chicago-Code

1.5" 17-Gauge Brass Pipe • Coarse Thread: 11.5

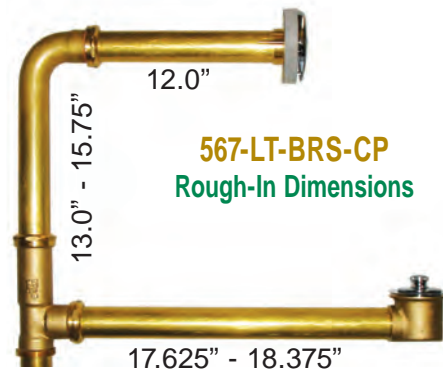
567 Chicago-Code 17-Gauge

Fits Most Tubs up to 16" Deep

Available in Chrome Plate Finish Only

567-LT-BRS-CP	128.65
567-PP-BRS-CP	135.65
567-PF-BRS-CP	133.65
567-FA-BRS-CP	128.65

567s:
12 Per Carton



567-LT-BRS-CP
Rough-In Dimensions

For Slip "N Solder" unit, add suffix "U" to product number.



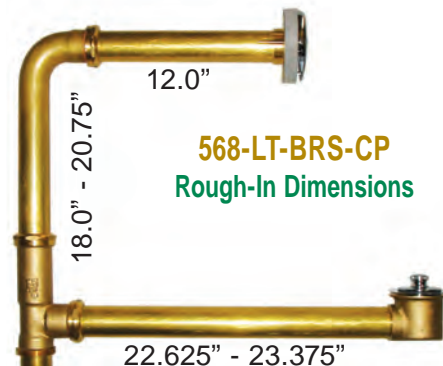
568 Chicago-Code 17-Gauge

Fits Most Tubs up to 24" Deep

Available in Chrome Plate Finish Only

568-LT-BRS-CP	144.20
568-PP-BRS-CP	151.20
568-PF-BRS-CP	149.20
568-FA-BRS-CP	144.20

568s:
10 Per Carton



568-LT-BRS-CP
Rough-In Dimensions



Trim Kits: Pages 50 / Tub Closures: Pages 54

Lavatory Drains

1.25" 17-Gauge Brass Pipe • Fine Thread: 18 tpi

Patented and Patents Pending
See watcomfg.com for details.

20 Per Carton

Lavatory Drains: 800 / 801 / 700



800-PP

800 With Overflow



800-PP-BRS-CP .. 48.60
800-PF-BRS-CP .. 48.60

AP 95.80	CB 67.65
BB 139.20	NP 67.65
BN 67.65	PB 64.40
BZ 77.90	WI 100.60

Push Pull® and PresFlo® stoppers are available in both the 800 and 801 models.



801-PF

801 Without Overflow



801-PP-BRS-CP .. 48.60
801-PF-BRS-CP .. 48.60

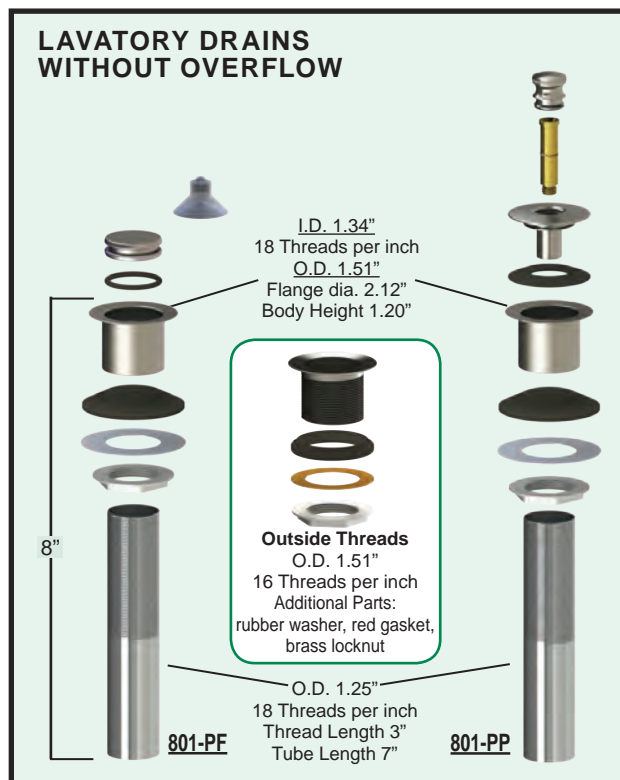
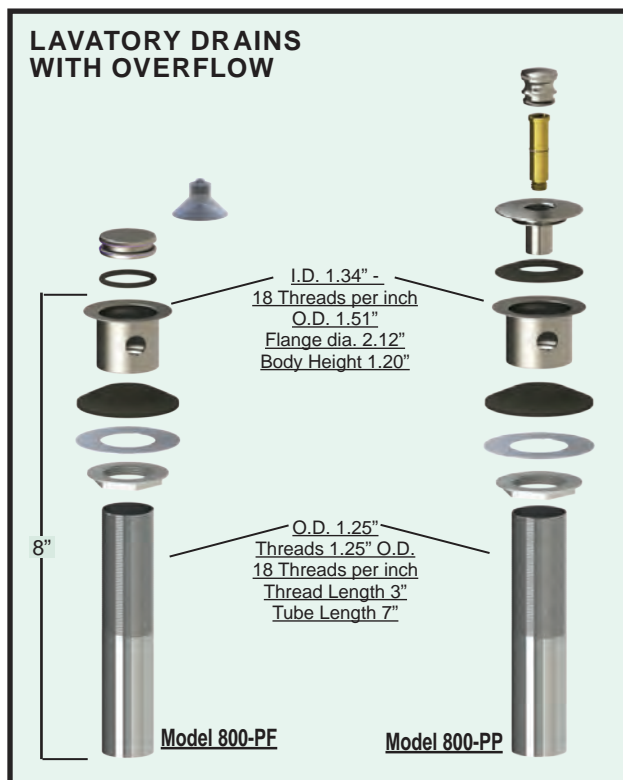
AP 95.80	CB 67.65
BB 139.20	NP 67.65
BN 67.65	PB 64.40
BZ 77.90	WI 100.60

FOR OUTSIDE THREADS ON 801's, ADD "OT" TO NUMBER. EXAMPLE: 801-PP-BRS-BN-OT

WHEN ADDING -OT TO ITEM #, ADD \$6.00 TO LIST PRICE



801-PP
801-PF-OT



700 - ABS

With Overflow

ABS PLASTIC WITH OVERFLOW; FINE THREAD

20 Per Carton

700-PP-ABS-CP 15.80

800/801 SPECIAL DRAIN TUBES

Please use the following codes when ordering lav drains with an upgraded drain tube:

12.....12" Chrome Lav Tube..... add **8.45**
 PT77" Plated Lav Tube add **36.95**
 PT12.....12" Plated Lav Tube add **50.35**

BN-BZ-CB-NP-PB only.

Example: 800-PP-BRS-BN-PT12 for 12" BN plated tube
 These add-on prices reflect the subtraction of the original lav tube price.

Lavatory Drains

IdealLav™



Tubular PVC



**Solid Brass -
Chrome Plated**

- One piece drop tube for easy installation**
- Removable, replaceable grid strainer**
- Internal stopper seals below the grid strainer and holds water overnight**
- Fits standard sinks with overflow**
- Tube available in Tubular PVC or solid Brass - Chrome Plated**
- Grid Strainer can be purchased separately**
- 1 ¼" Tubular x 8 ½" Long**
- No Popup -NPU Subtract \$2.00 List**

IdealLav™ Standard Products

Product	Tube Material	Grid Strainer Mat'l.	Trim Finish	Part #	Price
Lav w/Grid Strainer-Plastic	Tubular PVC	ABS Plastic	Chrome	715-P-CP	23.45
Lav w/Grid Strainer-Plastic	Tubular PVC	ABS Plastic	Brushed Nickel	715-P-BN	29.75
Lav w/Grid Strainer-Plastic	Tubular PVC	ABS Plastic	Rubbed Bronze	715-P-BZ	35.85
Lav w/Grid Strainer-Brass	Tubular PVC	Brass	Chrome	715-B-CP	26.30
Lav w/Grid Strainer-Brass	Tubular PVC	Brass	Brushed Nickel	715-B-BN	32.10
Lav w/Grid Strainer-Brass	Tubular PVC	Brass	Rubbed Bronze	715-B-BZ	38.25
Lav w/Grid Strainer-Brass	Chrome Plated Brass	ABS Plastic	Chrome	815-P-CP	49.35
Lav w/Grid Strainer-Brass	Chrome Plated Brass	ABS Plastic	Brushed Nickel	815-P-BN	55.15
Lav w/Grid Strainer-Brass	Chrome Plated Brass	ABS Plastic	Rubbed Bronze	815-P-BZ	61.30
Lav w/Grid Strainer-Plastic	Chrome Plated Brass	Brass	Chrome	815-B-CP	51.70
Lav w/Grid Strainer-Plastic	Chrome Plated Brass	Brass	Brushed Nickel	815-B-BN	57.55
Lav w/Grid Strainer-Plastic	Chrome Plated Brass	Brass	Rubbed Bronze	815-B-BZ	63.65

Replacement Grid Strainers

MATERIAL	FINISH	PART #	PRICE
PLASTIC	CHROME	01056-CP	3.75
PLASTIC	BRUSHED NICKEL	01056-BN	9.10
PLASTIC	RUBBED BRONZE	01056-BZ	14.85
BRASS	CHROME	01057-CP	6.75
BRASS	BRUSHED NICKEL	01057-BN	11.75
BRASS	RUBBED BRONZE	01057-BZ	17.10

IdealLav™

Features



Includes

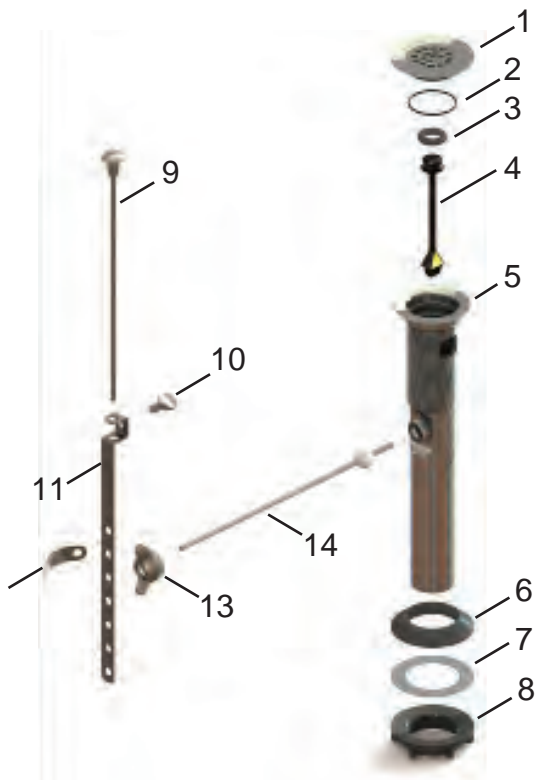


Replaceable Grid Strainer



Available in ABS or Solid Brass
Finishes:
Chrome Plated (CP)
Brushed Nickel (BN)
Rubbed Bronze (BZ)
Fits both PVC & Brass Tubes

Parts List








Item	Part #	Description	Price
1	01054CP	IdealLav Brass Trim-CP	5.90
	01054BN	IdealLav Brass Trim-BN	11.75
	01055CP	IdealLav Plastic Trim-CP	3.25
	01055BN	IdealLav Plastic Trim-BN	9.10
2	11137	IdealLav Trim O-Ring	0.20
3	11135	IdealLav Stopper O-Ring	0.45
4	11151	IdealLav Stopper	2.15
5	10655CP	IdealLav Tube Brass	40.50
	10069	IdealLav Tube PVC	8.10
6	11506	IdealLav Outer Seal	2.50
7	10698	IdealLav Slip Washer	0.25
8	41581	IdealLav Large Nut Plastic	2.40
	41579	IdealLav Large Nut Metal	3.35
9	41052CP	IdealLav Lift Knob/Rod-CP	3.70
	41052BN	IdealLav Lift Knob/Rod-BN	7.50
10	41048	IdealLav Thumb Screw	0.25
11	41049	IdealLav Clevis	1.30
12	41051	IdealLav Rod Clip	0.20
13	41046CP	IdealLav Pivot Ball Nut-CP	3.30
14	41045	IdealLav Rod Ball Assembly	1.80

Universal NuFit® Trim Kits & Tub Closures






NOTE: For carded trim kits, place "-C" at end of item number.

INNOVATOR FACEPLATE - Trim Kit with Grid

10 Per Carton

 <p>No Silicone or Pin</p> <p>94870N-PP-CP-G PP Trim Kit with Grid Add desired option.</p>		 <p>948700-PP-CP-G PP Trim Kit with Grid and Silicone Packet</p>		 <p>948700-PP-CP-G-47 PP Trim Kit with Grid, Silicone & #11547 Pin</p>		 <p>948700-PP-CP-G-2P PP Trim Kit with Grid, Silicone, #47 & #51 Pins</p>		 <p>948700-PP-CP-G-3P PP Trim Kit with Grid, Silicone & All 3 Pins</p>	
94870N-PP-CP-G	20.30	948700-PP-CP-G	24.50	948700-PP-CP-G-47	28.70	948700-PP-CP-G-2P	32.90	948700-PP-CP-G-3P	37.10
94870N-PP-BB-G	160.15	948700-PP-BB-G	164.35	948700-PP-BB-G-47	168.55	948700-PP-BB-G-2P	172.75	948700-PP-BB-G-3P	176.95
94870N-PP-BN-G	40.35	948700-PP-BN-G	44.55	948700-PP-BN-G-47	48.75	948700-PP-BN-G-2P	52.95	948700-PP-BN-G-3P	57.15
94870N-PP-BS-G	38.30	948700-PP-BS-G	42.50	948700-PP-BS-G-47	46.70	948700-PP-BS-G-2P	50.90	948700-PP-BS-G-3P	55.10
94870N-PP-BZ-G	40.35	948700-PP-BZ-G	44.55	948700-PP-BZ-G-47	48.75	948700-PP-BZ-G-2P	52.95	948700-PP-BZ-G-3P	57.15
94870N-PP-CB-G	70.10	948700-PP-CB-G	74.30	948700-PP-CB-G-47	78.50	948700-PP-CB-G-2P	82.70	948700-PP-CB-G-3P	86.90
94870N-PP-NP-G	45.30	948700-PP-NP-G	49.50	948700-PP-NP-G-47	53.70	948700-PP-NP-G-2P	57.90	948700-PP-NP-G-3P	62.10
94870N-PP-PB-G	45.40	948700-PP-PB-G	49.60	948700-PP-PB-G-47	53.80	948700-PP-PB-G-2P	58.00	948700-PP-PB-G-3P	62.20
94870N-PP-WH-G	34.05	948700-PP-WH-G	38.25	948700-PP-WH-G-47	42.45	948700-PP-WH-G-2P	46.65	948700-PP-WH-G-3P	50.85
94870N-PP-WI-G	86.45	948700-PP-WI-G	90.65	948700-PP-WI-G-47	94.85	948700-PP-WI-G-2P	99.05	948700-PP-WI-G-3P	103.25

1-HOLE FACEPLATE: (For 2-Hole, add "-2H" to part number)

 <p>No Silicone or Pin</p> <p>4870N-PP-CP-G PP Trim Kit with Grid Add desired option.</p>		 <p>48700-PP-CP-G PP Trim Kit with Grid and Silicone Packet</p>		 <p>48700-PP-CP-G-47 PP Trim Kit with Grid, Silicone & #11547 Pin</p>		 <p>48700-PP-CP-G-2P PP Trim Kit with Grid, Silicone, #47 & #51 Pins</p>		 <p>48700-PP-CP-G-3P PP Trim Kit with Grid, Silicone & All 3 Pins</p>	
4870N-PP-CP-G	20.30	48700-PP-CP-G	24.50	48700-PP-CP-G-47	28.70	48700-PP-CP-G-2P	32.90	48700-PP-CP-G-3P	37.10
4870N-PP-BB-G	160.15	48700-PP-BB-G	164.35	48700-PP-BB-G-47	168.55	48700-PP-BB-G-2P	172.75	48700-PP-BB-G-3P	176.95
4870N-PP-BN-G	40.35	48700-PP-BN-G	44.55	48700-PP-BN-G-47	48.75	48700-PP-BN-G-2P	52.95	48700-PP-BN-G-3P	57.15
4870N-PP-BS-G	38.30	48700-PP-BS-G	42.50	48700-PP-BS-G-47	46.70	48700-PP-BS-G-2P	50.90	48700-PP-BS-G-3P	55.10
4870N-PP-BZ-G	40.35	48700-PP-BZ-G	44.55	48700-PP-BZ-G-47	48.75	48700-PP-BZ-G-2P	52.95	48700-PP-BZ-G-3P	57.15
4870N-PP-CB-G	70.10	48700-PP-CB-G	74.30	48700-PP-CB-G-47	78.50	48700-PP-CB-G-2P	82.70	48700-PP-CB-G-3P	86.90
4870N-PP-NP-G	45.30	48700-PP-NP-G	49.50	48700-PP-NP-G-47	53.70	48700-PP-NP-G-2P	57.90	48700-PP-NP-G-3P	62.10
4870N-PP-PB-G	45.40	48700-PP-PB-G	49.60	48700-PP-PB-G-47	53.80	48700-PP-PB-G-2P	58.00	48700-PP-PB-G-3P	62.20
4870N-PP-WH-G	34.05	48700-PP-WH-G	38.25	48700-PP-WH-G-47	42.45	48700-PP-WH-G-2P	46.65	48700-PP-WH-G-3P	50.85
4870N-PP-WI-G	86.45	48700-PP-WI-G	90.65	48700-PP-WI-G-47	94.85	48700-PP-WI-G-2P	99.05	48700-PP-WI-G-3P	103.25

TUB CLOSURES - with Grid

20 Per Carton

 <p>No Silicone or Pin</p> <p>4875N-PP-CP-G PP Tub Closure - with Grid Add desired option.</p>		 <p>48750-PP-CP-G PP Tub Closure with Grid and Silicone Packet</p>		 <p>48750-PP-CP-G-47 PP Tub Closure with Grid, Silicone & #11547 Pin</p>		 <p>48750-PP-CP-G-2P PP Tub Closure with Grid, Silicone, #47 & #51 Pins</p>		 <p>48750-PP-CP-G-3P PP Tub Closure with Grid, Silicone & All 3 Pins</p>	
4875N-PP-CP-G	14.65	48750-PP-CP-G	18.85	48750-PP-CP-G-47	23.05	48750-PP-CP-G-2P	27.25	48750-PP-CP-G-3P	31.45
4875N-PP-BB-G	116.05	48750-PP-BB-G	120.25	48750-PP-BB-G-47	124.45	48750-PP-BB-G-2P	128.65	48750-PP-BB-G-3P	132.85
4875N-PP-BN-G	30.90	48750-PP-BN-G	35.10	48750-PP-BN-G-47	39.30	48750-PP-BN-G-2P	43.50	48750-PP-BN-G-3P	47.70
4875N-PP-BS-G	29.80	48750-PP-BS-G	34.00	48750-PP-BS-G-47	38.20	48750-PP-BS-G-2P	42.40	48750-PP-BS-G-3P	46.60
4875N-PP-BZ-G	30.90	48750-PP-BZ-G	35.10	48750-PP-BZ-G-47	39.30	48750-PP-BZ-G-2P	43.50	48750-PP-BZ-G-3P	47.70
4875N-PP-CB-G	48.85	48750-PP-CB-G	53.05	48750-PP-CB-G-47	57.25	48750-PP-CB-G-2P	61.45	48750-PP-CB-G-3P	65.65
4875N-PP-NP-G	34.80	48750-PP-NP-G	39.00	48750-PP-NP-G-47	43.20	48750-PP-NP-G-2P	47.40	48750-PP-NP-G-3P	51.60
4875N-PP-PB-G	33.60	48750-PP-PB-G	37.80	48750-PP-PB-G-47	42.00	48750-PP-PB-G-2P	46.20	48750-PP-PB-G-3P	50.40
4875N-PP-WH-G	26.40	48750-PP-WH-G	30.60	48750-PP-WH-G-47	34.80	48750-PP-WH-G-2P	39.00	48750-PP-WH-G-3P	43.20
4875N-PP-WI-G	54.70	48750-PP-WI-G	58.90	48750-PP-WI-G-47	63.10	48750-PP-WI-G-2P	67.30	48750-PP-WI-G-3P	71.50

Push Pull® Stopper - with Grid Body

INNOVATOR FACEPLATE - Cont.



#11547 3/8-5/16

948701-PP-CP-G PP Trim Kit with Grid and #11547 Pin (-47)

948701-PP-CP-G	24.50
948701-PP-BB-G	164.35
948701-PP-BN-G	44.55
948701-PP-BS-G	42.50
948701-PP-BZ-G	44.55
948701-PP-CB-G	74.30
948701-PP-NP-G	49.50
948701-PP-PB-G	49.60
948701-PP-WH-G	38.25
948701-PP-WI-G	90.65



#10-24
3/8-5/16

948701-PP-CP-G-2P PP Trim Kit with Grid, #47 & #51 Pins

948701-PP-CP-G-2P	28.70
948701-PP-BB-G-2P	168.55
948701-PP-BN-G-2P	48.75
948701-PP-BS-G-2P	46.70
948701-PP-BZ-G-2P	48.75
948701-PP-CB-G-2P	78.50
948701-PP-NP-G-2P	53.70
948701-PP-PB-G-2P	53.80
948701-PP-WH-G-2P	42.45
948701-PP-WI-G-2P	94.85



94870N-PP-CP-G-WB PP Trim Kit with Grid Watco Bonding Strip

94870N-PP-CP-G-WB	24.50
94870N-PP-BB-G-WB	164.35
94870N-PP-BN-G-WB	44.55
94870N-PP-BS-G-WB	42.50
94870N-PP-BZ-G-WB	44.55
94870N-PP-CB-G-WB	74.30
94870N-PP-NP-G-WB	49.50
94870N-PP-PB-G-WB	49.60
94870N-PP-WH-G-WB	38.25
94870N-PP-WI-G-WB	90.65

REPLACEMENT STOPPER: Push Pull®



487SA-PP-CP	6.45	487SA-PP-CB	32.15
487SA-PP-BB	57.75	487SA-PP-NP	15.15
487SA-PP-BN	14.15	487SA-PP-PB	15.15
487SA-PP-BS	7.05	487SA-PP-WH	6.00
487SA-PP-BZ	11.35		

1-HOLE - Cont.



#11547 3/8-5/16

48701-PP-CP-G PP Trim Kit with Grid and #11547 Pin (-47)

48701-PP-CP-G	24.50
48701-PP-BB-G	164.35
48701-PP-BN-G	44.55
48701-PP-BS-G	42.50
48701-PP-BZ-G	44.55
48701-PP-CB-G	74.30
48701-PP-NP-G	49.50
48701-PP-PB-G	49.60
48701-PP-WH-G	38.25
48701-PP-WI-G	90.65



#10-24
3/8-5/16

48701-PP-CP-G-2P PP Trim Kit with Grid, #47 & #51 Pins

48701-PP-CP-G-2P	28.70
48701-PP-BB-G-2P	168.55
48701-PP-BN-G-2P	48.75
48701-PP-BS-G-2P	46.70
48701-PP-BZ-G-2P	48.75
48701-PP-CB-G-2P	78.50
48701-PP-NP-G-2P	53.70
48701-PP-PB-G-2P	53.80
48701-PP-WH-G-2P	42.45
48701-PP-WI-G-2P	94.85



4870N-PP-CP-G-WB PP Trim Kit with Grid Watco Bonding Strip

4870N-PP-CP-G-WB	24.50
4870N-PP-BB-G-WB	164.35
4870N-PP-BN-G-WB	44.55
4870N-PP-BS-G-WB	42.50
4870N-PP-BZ-G-WB	44.55
4870N-PP-CB-G-WB	74.30
4870N-PP-NP-G-WB	49.50
4870N-PP-PB-G-WB	49.60
4870N-PP-WH-G-WB	38.25
4870N-PP-WI-G-WB	90.65

2-Hole Faceplate



-2H
Add to end of part number.

Additional Options: (Add to Part Number)

-47	-54	-51	-SL
#11547 Pin 3/8-5/16 Brass Pin +\$4.20	#11554 Pin 1/4-20 Brass Pin +\$4.20	#11551 Pin #10-24 Brass Pin +\$4.20	Silicone Packet +\$4.20
-2P	-2P2	-3P	-WB
#47 & #51 Brass Pins +\$8.40	#47 & #54 Brass Pins +\$8.40	All 3 Brass Pins +\$12.60	Watco Bonding Strip +\$4.20

TUB CLOSURES - Cont.



#11547 3/8-5/16

48751-PP-CP-G PP Tub Closure with Grid and #11547 Pin (-47)

48751-PP-CP-G	18.85
48751-PP-BB-G	120.25
48751-PP-BN-G	35.10
48751-PP-BS-G	34.00
48751-PP-BZ-G	35.10
48751-PP-CB-G	53.05
48751-PP-NP-G	39.00
48751-PP-PB-G	37.80
48751-PP-WH-G	30.60
48751-PP-WI-G	58.90



#10-24
3/8-5/16

48751-PP-CP-G-2P PP Tub Closure with Grid, #47 & #51 Pins

48751-PP-CP-G-2P	23.05
48751-PP-BB-G-2P	124.45
48751-PP-BN-G-2P	39.30
48751-PP-BS-G-2P	38.20
48751-PP-BZ-G-2P	39.30
48751-PP-CB-G-2P	57.25
48751-PP-NP-G-2P	43.20
48751-PP-PB-G-2P	42.00
48751-PP-WH-G-2P	34.80
48751-PP-WI-G-2P	63.10



4875N-PP-CP-G-WB PP Tub Closure - with Grid Watco Bonding Strip

4875N-PP-CP-G-WB	18.85
4875N-PP-BB-G-WB	120.25
4875N-PP-BN-G-WB	35.10
4875N-PP-BS-G-WB	34.00
4875N-PP-BZ-G-WB	35.10
4875N-PP-CB-G-WB	53.05
4875N-PP-NP-G-WB	39.00
4875N-PP-PB-G-WB	37.80
4875N-PP-WH-G-WB	30.60
4875N-PP-WI-G-WB	58.90

To add option, add \$4.20 per option to item base price:

2 Options	3 Options	4 Options	5 Options
Add: \$8.40	\$12.60	\$16.80	\$21.00

Examples:

48750-PP-CP-G = Tub Closure with silicone, PP stopper, Grid, Chrome finish - Cost: \$18.85

48700-PP-WH-G-51-WB = 1-H Trim Kit with silicone, PP stopper, White finish, Grid, #10-24 Pin & Bonding Strip Cost: \$50.85 (\$42.45 + \$8.40)

4870N-PP-BN-G-54 = 1-H Trim Kit with #11554 pin only, PP stopper, with Grid, Brushed Nickel finish Cost: \$48.75 (\$44.55 + \$4.20)






Individual Pins available in Parts section of price list.

Universal NuFit® Trim Kits & Tub Closures






NOTE: For carded trim kits, place "-C" at end of item number.

INNOVATOR FACEPLATE - Trim Kit without Grid

10 Per Carton






 No Silicone or Pin 94870N-PP-CP PP Trim Kit without Grid Add desired option.		 948700-PP-CP PP Trim Kit without Grid and Silicone Packet		 3/8-5/16 948700-PP-CP-47 PP Trim Kit without Grid, Silicone & #11547 Pin		 948700-PP-CP-2P PP Trim Kit without Grid, Silicone, #47 & #51 Pins		 948700-PP-CP-3P PP Trim Kit without Grid, Silicone & All 3 Pins	
94870N-PP-CP	20.30	948700-PP-CP	24.50	948700-PP-CP-47	28.70	948700-PP-CP-2P	32.90	948700-PP-CP-3P	37.10
94870N-PP-BB	160.15	948700-PP-BB	164.35	948700-PP-BB-47	168.55	948700-PP-BB-2P	172.75	948700-PP-BB-3P	176.95
94870N-PP-BN	40.35	948700-PP-BN	44.55	948700-PP-BN-47	48.75	948700-PP-BN-2P	52.90	948700-PP-BN-3P	57.15
94870N-PP-BS	38.30	948700-PP-BS	42.50	948700-PP-BS-47	46.70	948700-PP-BS-2P	50.90	948700-PP-BS-3P	55.10
94870N-PP-BZ	40.35	948700-PP-BZ	44.55	948700-PP-BZ-47	48.75	948700-PP-BZ-2P	52.95	948700-PP-BZ-3P	57.15
94870N-PP-CB	70.10	948700-PP-CB	74.30	948700-PP-CB-47	78.50	948700-PP-CB-2P	82.70	948700-PP-CB-3P	86.90
94870N-PP-NP	45.30	948700-PP-NP	49.50	948700-PP-NP-47	53.70	948700-PP-NP-2P	57.90	948700-PP-NP-3P	62.10
94870N-PP-PB	45.40	948700-PP-PB	49.60	948700-PP-PB-47	53.80	948700-PP-PB-2P	58.00	948700-PP-PB-3P	62.20
94870N-PP-WH	34.05	948700-PP-WH	38.25	948700-PP-WH-47	42.45	948700-PP-WH-2P	46.65	948700-PP-WH-3P	50.85
94870N-PP-WI	86.45	948700-PP-WI	90.65	948700-PP-WI-47	94.85	948700-PP-WI-2P	99.05	948700-PP-WI-3P	103.25

1-HOLE FACEPLATE: (For 2-Hole, add "-2H" to part number)

 No Silicone or Pin 4870N-PP-CP PP Trim Kit without Grid Add desired option.		 48700-PP-CP PP Trim Kit without Grid and Silicone Packet		 3/8-5/16 48700-PP-CP-47 PP Trim Kit without Grid, Silicone & #11547 Pin		 48700-PP-CP-2P PP Trim Kit without Grid, Silicone, #47 & #51 Pins		 48700-PP-CP-3P PP Trim Kit without Grid, Silicone & All 3 Pins	
4870N-PP-CP	20.30	48700-PP-CP	24.50	48700-PP-CP-47	28.70	48700-PP-CP-2P	32.90	48700-PP-CP-3P	37.10
4870N-PP-BB	160.15	48700-PP-BB	164.35	48700-PP-BB-47	168.55	48700-PP-BB-2P	172.75	48700-PP-BB-3P	176.95
4870N-PP-BN	40.35	48700-PP-BN	44.55	48700-PP-BN-47	48.75	48700-PP-BN-2P	52.95	48700-PP-BN-3P	57.15
4870N-PP-BS	38.30	48700-PP-BS	42.50	48700-PP-BS-47	46.70	48700-PP-BS-2P	50.90	48700-PP-BS-3P	55.10
4870N-PP-BZ	40.35	48700-PP-BZ	44.55	48700-PP-BZ-47	48.75	48700-PP-BZ-2P	52.95	48700-PP-BZ-3P	57.15
4870N-PP-CB	70.10	48700-PP-CB	74.30	48700-PP-CB-47	78.50	48700-PP-CB-2P	82.70	48700-PP-CB-3P	86.90
4870N-PP-NP	45.30	48700-PP-NP	49.50	48700-PP-NP-47	53.70	48700-PP-NP-2P	57.90	48700-PP-NP-3P	62.10
4870N-PP-PB	45.40	48700-PP-PB	49.60	48700-PP-PB-47	53.80	48700-PP-PB-2P	58.00	48700-PP-PB-3P	62.20
4870N-PP-WH	34.05	48700-PP-WH	38.25	48700-PP-WH-47	42.45	48700-PP-WH-2P	46.65	48700-PP-WH-3P	50.85
4870N-PP-WI	86.45	48700-PP-WI	90.65	48700-PP-WI-47	94.85	48700-PP-WI-2P	99.05	48700-PP-WI-3P	103.25

TUB CLOSURES - without Grid

20 Per Carton

 No Silicone or Pin 4875N-PP-CP PP Tub Closure - w/o Grid Add desired option.		 48750-PP-CP PP Tub Closure w/o Grid and Silicone Packet		 3/8-5/16 48750-PP-CP-47 PP Tub Closure w/o Grid, Silicone & #11547 Pin		 48750-PP-CP-2P PP Tub Closure w/o Grid, Silicone, #47 & #51 Pins		 48750-PP-CP-3P PP Tub Closure w/o Grid, Silicone & All 3 Pins	
4875N-PP-CP	14.65	48750-PP-CP	18.85	48750-PP-CP-47	23.05	48750-PP-CP-2P	27.25	48750-PP-CP-3P	31.45
4875N-PP-BB	116.05	48750-PP-BB	120.25	48750-PP-BB-47	124.45	48750-PP-BB-2P	128.65	48750-PP-BB-3P	132.85
4875N-PP-BN	30.90	48750-PP-BN	35.10	48750-PP-BN-47	39.30	48750-PP-BN-2P	43.50	48750-PP-BN-3P	47.70
4875N-PP-BS	29.80	48750-PP-BS	34.00	48750-PP-BS-47	38.20	48750-PP-BS-2P	42.40	48750-PP-BS-3P	46.60
4875N-PP-BZ	30.90	48750-PP-BZ	35.10	48750-PP-BZ-47	39.30	48750-PP-BZ-2P	43.50	48750-PP-BZG-3P	47.70
4875N-PP-CB	48.85	48750-PP-CB	53.05	48750-PP-CB-47	57.25	48750-PP-CB-2P	61.45	48750-PP-CB-3P	65.65
4875N-PP-NP	34.80	48750-PP-NP	39.00	48750-PP-NP-47	43.20	48750-PP-NP-2P	47.40	48750-PP-NP-3P	51.60
4875N-PP-PB	33.60	48750-PP-PB	37.80	48750-PP-PB-47	42.00	48750-PP-PB-2P	46.20	48750-PP-PB-3P	50.40
4875N-PP-WH	26.40	48750-PP-WH	30.60	48750-PP-WH-47	34.80	48750-PP-WH-2P	39.00	48750-PP-WH-3P	43.20
4875N-PP-WI	54.70	48750-PP-WI	58.90	48750-PP-WI-47	63.10	48750-PP-WI-2P	67.30	48750-PP-WI-3P	71.50

Push Pull® Stopper - without Grid Body

INNOVATOR FACEPLATE - Cont.



#11547 3/8-5/16

948701-PP-CP
PP Trim Kit without Grid
and #11547 Pin (-47)

948701-PP-CP	24.50
948701-PP-BB	164.35
948701-PP-BN	44.55
948701-PP-BS	42.50
948701-PP-BZ	44.55
948701-PP-CB	74.30
948701-PP-NP	49.50
948701-PP-PB	49.60
948701-PP-WH	38.25
948701-PP-WI	90.65



#10-24
3/8-5/16

948701-PP-CP-2P
PP Trim Kit without Grid,
#47 & #51 Pins

948701-PP-CP-G-2P	28.70
948701-PP-BB-G-2P	168.55
948701-PP-BN-G-2P	48.75
948701-PP-BS-G-2P	46.70
948701-PP-BZ-G-2P	48.75
948701-PP-CB-G-2P	78.50
948701-PP-NP-G-2P	53.70
948701-PP-PB-G-2P	53.80
948701-PP-WH-G-2P	42.45
948701-PP-WI-G-2P	94.85



94870N-PP-CP-WB
PP Trim Kit without Grid
Watco Bonding Strip

94870N-PP-CP-WB	24.50
94870N-PP-BB-WB	164.35
94870N-PP-BN-WB	44.55
94870N-PP-BS-WB	42.50
94870N-PP-BZ-WB	44.55
94870N-PP-CB-WB	74.30
94870N-PP-NP-WB	49.50
94870N-PP-PB-WB	49.60
94870N-PP-WH-WB	38.25
94870N-PP-WI-WB	90.65

1-HOLE FACEPLATE - Cont.



#11547 3/8-5/16

48701-PP-CP
PP Trim Kit without Grid
and #11547 Pin (-47)

48701-PP-CP	24.50
48701-PP-BB	164.35
48701-PP-BN	44.55
48701-PP-BS	42.50
48701-PP-BZ	44.55
48701-PP-CB	74.30
48701-PP-NP	49.50
48701-PP-PB	49.60
48701-PP-WH	38.25
48701-PP-WI	90.65



#10-24
3/8-5/16

48701-PP-CP-2P
PP Trim Kit without Grid,
#47 & #51 Pins

48701-PP-CP-2P	28.70
48701-PP-BB-2P	168.55
48701-PP-BN-2P	48.75
48701-PP-BS-2P	46.70
48701-PP-BZ-2P	48.75
48701-PP-CB-2P	78.50
48701-PP-NP-2P	53.70
48701-PP-PB-2P	53.80
48701-PP-WH-2P	42.45
48701-PP-WI-2P	94.85



4870N-PP-CP-WB
PP Trim Kit without Grid
Watco Bonding Strip

4870N-PP-CP-WB	24.50
4870N-PP-BB-WB	164.35
4870N-PP-BN-WB	44.55
4870N-PP-BS-WB	42.50
4870N-PP-BZ-WB	44.55
4870N-PP-CB-WB	74.30
4870N-PP-NP-WB	49.50
4870N-PP-PB-WB	49.60
4870N-PP-WH-WB	38.25
4870N-PP-WI-WB	86.45

TUB CLOSURES - Cont.



#11547 3/8-5/16

48751-PP-CP
PP Tub Closure w/o Grid
and #11547 Pin (-47)

48751-PP-CP	18.85
48751-PP-BB	120.25
48751-PP-BN	35.10
48751-PP-BS	34.00
48751-PP-BZ	35.10
48751-PP-CB	53.05
48751-PP-NP	39.00
48751-PP-PB	37.80
48751-PP-WH	30.60
48751-PP-WI	58.90



#10-24
3/8-5/16

48751-PP-CP-2P
PP Tub Closure w/o Grid,
#47 & #51 Pins

48751-PP-CP-2P	23.05
48751-PP-BB-2P	124.45
48751-PP-BN-2P	39.30
48751-PP-BS-2P	38.20
48751-PP-BZ-2P	39.30
48751-PP-CB-2P	57.25
48751-PP-NP-2P	43.20
48751-PP-PB-2P	42.00
48751-PP-WH-2P	34.80
48751-PP-WI-2P	63.10



4875N-PP-CP-WB
PP Tub Closure - w/o Grid
Watco Bonding Strip

4875N-PP-CP-WB	18.85
4875N-PP-BB-WB	120.25
4875N-PP-BN-WB	35.10
4875N-PP-BS-WB	34.00
4875N-PP-BZ-WB	35.10
4875N-PP-CB-WB	53.05
4875N-PP-NP-WB	39.00
4875N-PP-PB-WB	37.80
4875N-PP-WH-WB	30.60
4875N-PP-WI-WB	58.90

REPLACEMENT STOPPER: Push Pull®



487SA-PP-CP	6.45	487SA-PP-CB	32.15
487SA-PP-BB	57.75	487SA-PP-NP	15.15
487SA-PP-BN	14.15	487SA-PP-PB	15.15
487SA-PP-BS	7.05	487SA-PP-WH	6.00
487SA-PP-BZ	11.35		

2-Hole Faceplate



-2H
Add to end of part number.

Additional Options: (Add to Part Number)

-47	-54	-51	-SL
#11547 Pin 3/8-5/16 Brass Pin +\$4.20	#11554 Pin 1/4-20 Brass Pin +\$4.20	#11551 Pin #10-24 Brass Pin +\$4.20	Silicone Packet +\$4.20
-2P	-2P2	-3P	-WB
#47 & #51 Brass Pins +\$8.40	#47 & #54 Brass Pins +\$8.40	All 3 Brass Pins +\$12.60	Watco Bonding Strip +\$4.20

To add option, add \$4.20 per option to item base price:

<u>2 Options</u>	<u>3 Options</u>	<u>4 Options</u>	<u>5 Options</u>
Add: \$8.40	\$12.60	\$16.80	\$21.00

Examples:

- 48750-PP-CP = Tub Closure with silicone, PP stopper, no Grid, Chrome finish – Cost: \$18.85
- 48700-PP-WH-51-WB = 1-H Trim Kit with silicone, PP stopper, White finish, no Grid, #10-24 Pin & Bonding Strip Cost: \$55.05 (\$46.65 + \$8.40)
- 4870N-PP-BN-54 = 1-H Trim Kit with #11554 pin only, PP stopper, no Grid, Brushed Nickel finish Cost: \$48.75 (\$44.55 + \$4.20)



Individual Pins available in Parts section of price list.

Universal NuFit® Trim Kits & Tub Closures






NOTE: For carded trim kits, place "-C" at end of item number.

INNOVATOR FACEPLATE - FA Trim Kit with Grid

10 Per Carton

 No Silicone or Pin 94870N-FA-CP-G FA Trim Kit with Grid Add desired option.		 948700-FA-CP-G FA Trim Kit with Grid and Silicone Packet		 948700-FA-CP-G-47 FA Trim Kit with Grid, Silicone & #11547 Pin 3/8-5/16		 948700-FA-CP-G-2P FA Trim Kit with Grid, Silicone, #47 & #51 Pins		 948700-FA-CP-G-3P FA Trim Kit with Grid, Silicone & All 3 Pins	
94870N-FA-CP-G	24.40	948700-FA-CP-G	28.60	948700-FA-CP-G-47	32.80	948700-FA-CP-G-2P	37.00	948700-FA-CP-G-3P	41.20
94870N-FA-AB-G	47.80	948700-FA-AB-G	52.00	948700-FA-AB-G-47	56.20	948700-FA-AB-G-2P	60.40	948700-FA-AB-G-3P	64.60
94870N-FA-BN-G	40.35	948700-FA-BN-G	44.55	948700-FA-BN-G-47	48.75	948700-FA-BN-G-2P	52.95	948700-FA-BN-G-3P	57.15
94870N-FA-BZ-G	40.35	948700-FA-BZ-G	44.55	948700-FA-BZ-G-47	48.75	948700-FA-BZ-G-2P	52.95	948700-FA-BZ-G-3P	57.15
94870N-FA-CB-G	70.10	948700-FA-CB-G	74.30	948700-FA-CB-G-47	78.50	948700-FA-CB-G-2P	82.70	948700-FA-CB-G-3P	86.90
94870N-FA-PB-G	45.40	948700-FA-PB-G	49.60	948700-FA-PB-G-47	53.80	948700-FA-PB-G-2P	58.00	948700-FA-PB-G-3P	62.20
94870N-FA-WH-G	34.05	948700-FA-WH-G	38.25	948700-FA-WH-G-47	42.45	948700-FA-WH-G-2P	46.65	948700-FA-WH-G-3P	50.85
94870N-FA-WI-G	90.55	948700-FA-WI-G	94.75	948700-FA-WI-G-47	98.95	948700-FA-WI-G-2P	103.15	948700-FA-WI-G-3P	107.35

1-HOLE : (For 2-Hole, add "-2H" to part number)

 No Silicone or Pin 4870N-FA-CP-G FA Trim Kit with Grid Add desired option.		 48700-FA-CP-G FA Trim Kit with Grid and Silicone Packet		 48700-FA-CP-G-47 FA Trim Kit with Grid, Silicone & #11547 Pin 3/8-5/16		 48700-FA-CP-G-2P FA Trim Kit with Grid, Silicone, #47 & #51 Pins		 48700-FA-CP-G-3P FA Trim Kit with Grid, Silicone & All 3 Pins	
4870N-FA-CP-G	24.40	48700-FA-CP-G	28.60	48700-FA-CP-G-47	32.80	48700-FA-CP-G-2P	37.00	48700-FA-CP-G-3P	41.20
4870N-FA-AB-G	47.80	48700-FA-AB-G	52.00	48700-FA-AB-G-47	56.20	48700-FA-AB-G-2P	60.40	48700-FA-AB-G-3P	64.60
4870N-FA-BN-G	40.35	48700-FA-BN-G	44.55	48700-FA-BN-G-47	48.75	48700-FA-BN-G-2P	52.95	48700-FA-BN-G-3P	57.15
4870N-FA-BZ-G	40.35	48700-FA-BZ-G	44.55	48700-FA-BZ-G-47	48.75	48700-FA-BZ-G-2P	52.95	48700-FA-BZ-G-3P	57.15
4870N-FA-CB-G	70.10	48700-FA-CB-G	74.30	48700-FA-CB-G-47	78.50	48700-FA-CB-G-2P	82.70	48700-FA-CB-G-3P	86.90
4870N-FA-PB-G	45.40	48700-FA-PB-G	49.60	48700-FA-PB-G-47	53.80	48700-FA-PB-G-2P	58.00	48700-FA-PB-G-3P	62.20
4870N-FA-WH-G	34.05	48700-FA-WH-G	38.25	48700-FA-WH-G-47	42.45	48700-FA-WH-G-2P	46.65	48700-FA-WH-G-3P	50.85
4870N-FA-WI-G	90.55	48700-FA-WI-G	94.75	48700-FA-WI-G-47	98.95	48700-FA-WI-G-2P	103.15	48700-FA-WI-G-3P	107.35

TUB CLOSURES - FA with Grid

20 Per Carton

 No Silicone or Pin 4875N-FA-CP-G FA Tub Closure - with Grid Add desired option.		 48750-FA-CP-G FA Tub Closure with Grid and Silicone Packet		 48750-FA-CP-G-47 FA Tub Closure with Grid, Silicone & #11547 Pin 3/8-5/16		 48750-FA-CP-G-2P FA Tub Closure with Grid, Silicone, #47 & #51 Pins		 48750-FA-CP-G-3P FA Tub Closure with Grid, Silicone & All 3 Pins	
4875N-FA-CP-G	17.75	48750-FA-CP-G	21.95	48750-FA-CP-G-47	26.15	48750-FA-CP-G-2P	30.35	48750-FA-CP-G-3P	34.55
4875N-FA-AB-G	41.15	48750-FA-AB-G	45.35	48750-FA-AB-G-47	49.55	48750-FA-AB-G-2P	53.75	48750-FA-AB-G-3P	57.95
4875N-FA-BN-G	30.90	48750-FA-BN-G	35.10	48750-FA-BN-G-47	39.30	48750-FA-BN-G-2P	43.50	48750-FA-BN-G-3P	47.70
4875N-FA-BZ-G	30.90	48750-FA-BZ-G	35.10	48750-FA-BZ-G-47	39.30	48750-FA-BZ-G-2P	43.50	48750-FA-BZ-G-3P	47.70
4875N-FA-CB-G	48.85	48750-FA-CB-G	53.05	48750-FA-CB-G-47	57.25	48750-FA-CB-G-2P	61.45	48750-FA-CB-G-3P	65.65
4875N-FA-PB-G	33.60	48750-FA-PB-G	37.80	48750-FA-PB-G-47	42.00	48750-FA-PB-G-2P	46.20	48750-FA-PB-G-3P	50.40
4875N-FA-WH-G	26.40	48750-FA-WH-G	30.60	48750-FA-WH-G-47	34.80	48750-FA-WH-G-2P	39.00	48750-FA-WH-G-3P	43.20
4875N-FA-WI-G	57.80	48750-FA-WI-G	62.00	48750-FA-WI-G-47	66.20	48750-FA-WI-G-2P	70.40	48750-FA-WH-G-3P	74.60

Foot Actuated Stopper - with Grid Body Only

INNOVATOR FACEPLATE - Cont.



#11547 3/8-5/16

948701-FA-CP-G
FA Trim Kit with Grid
and #11547 Pin (-47)

948701-FA-CP-G	28.60
948701-FA-AB-G	52.00
948701-FA-BN-G	44.55
948701-FA-BZ-G	44.55
948701-FA-CB-G	74.30
948701-FA-PB-G	49.60
948701-FA-WH-G	38.25
948701-FA-WI-G	94.75



#10-24
3/8-5/16

948701-FA-CP-G-2P
FA Trim Kit with Grid,
#47 & #51 Pins

948701-FA-CP-G-2P	32.80
948701-FA-AB-G-2P	56.20
948701-FA-BN-G-2P	48.75
948701-FA-BZ-G-2P	48.75
948701-FA-CB-G-2P	78.50
948701-FA-PB-G-2P	53.80
948701-FA-WH-G-2P	42.45
948701-FA-WI-G-2P	98.95



94870N-FA-CP-G-WB
FA Trim Kit with Grid
Watco Bonding Strip

94870N-FA-CP-G-WB	28.60
94870N-FA-AB-G-WB	52.00
94870N-FA-BN-G-WB	44.55
94870N-FA-BZ-G-WB	44.55
94870N-FA-CB-G-WB	74.30
94870N-FA-PB-G-WB	49.60
94870N-FA-WH-G-WB	38.25
94870N-FA-WI-G-WB	94.75

FA Replacement Stopper
NOT Available.

1-HOLE - Cont.



#11547 3/8-5/16

48701-FA-CP-G
FA Trim Kit with Grid
and #11547 Pin (-47)

48701-FA-CP-G	28.60
48701-FA-AB-G	52.00
48701-FA-BN-G	44.55
48701-FA-BZ-G	44.55
48701-FA-CB-G	74.30
48701-FA-PB-G	49.60
48701-FA-WH-G	38.25
48701-FA-WI-G	94.75



#10-24
3/8-5/16

48701-FA-CP-G-2P
FA Trim Kit with Grid,
#47 & #51 Pins

48701-FA-CP-G-2P	32.80
48701-FA-AB-G-2P	56.20
48701-FA-BN-G-2P	48.75
48701-FA-BZ-G-2P	48.75
48701-FA-CB-G-2P	78.50
48701-FA-PB-G-2P	53.80
48701-FA-WH-G-2P	42.45
48701-FA-WI-G-2P	98.95



4870N-FA-CP-G-WB
FA Trim Kit with Grid
Watco Bonding Strip

4870N-FA-CP-G-WB	28.60
4870N-FA-AB-G-WB	52.00
4870N-FA-BN-G-WB	44.55
4870N-FA-BZ-G-WB	44.55
4870N-FA-CB-G-WB	74.30
4870N-FA-PB-G-WB	49.60
4870N-FA-WH-G-WB	38.25
4870N-FA-WI-G-WB	94.75

2-Hole Faceplate



-2H
Add to end of part number.

Additional Options: (Add to Part Number)

 -47 #11547 Pin 3/8-5/16 Brass Pin +\$4.20	 -54 #11554 Pin 1/4-20 Brass Pin +\$4.20	 -51 #11551 Pin #10-24 Brass Pin +\$4.20	 -SL Silicone Packet +\$4.20
 -2P #47 & #51 Brass Pins +\$8.40	 -2P2 #47 & #54 Brass Pins +\$8.40	 -3P All 3 Brass Pins +\$12.60	 -WB Watco Bonding Strip +\$4.20

To add option, add \$4.20 per option to item base price:

2 Options	3 Options	4 Options	5 Options
Add: \$8.40	\$12.60	\$16.80	\$21.00

Examples:

48750-FA-CP-G = Tub Closure with silicone, FA stopper, Grid, Chrome finish – Cost: \$21.95

48700-FA-WH-G-51-WB = 1-H Trim Kit with silicone, FA stopper, White finish, Grid, #10-24 Pin & Bonding Strip Cost: \$55.05 (\$46.65 + \$8.40)

4870N-FA-BN-G-54 = 1-H Trim Kit with #11554 pin only, FA stopper, Grid, Brushed Nickel finish
Cost: \$48.75 (\$44.55 + \$4.20)

Individual Pins available in Parts section of price list.

TUB CLOSURES - Cont.



#11547 3/8-5/16

48751-FA-CP-G
FA Tub Closure with Grid
and #11547 Pin (-47)

48751-FA-CP-G	21.95
48751-FA-AB-G	45.35
48751-FA-BN-G	35.10
48751-FA-BZ-G	35.10
48751-FA-CB-G	53.05
48751-FA-PB-G	37.80
48751-FA-WH-G	30.60
48751-FA-WI-G	62.00



#10-24
3/8-5/16

48751-FA-CP-G-2P
FA Tub Closure with Grid,
#47 & #51 Pins

48751-FA-CP-G-2P	26.15
48751-FA-AB-G-2P	49.55
48751-FA-BN-G-2P	39.30
48751-FA-BZ-G-2P	39.30
48751-FA-CB-G-2P	57.25
48751-FA-PB-G-2P	42.00
48751-FA-WH-G-2P	34.80
48751-FA-WI-G-2P	66.20



4875N-FA-CP-G-WB
FA Tub Closure – with Grid
Watco Bonding Strip

4875N-FA-CP-G-WB	21.95
4875N-FA-AB-G-WB	45.35
4875N-FA-BN-G-WB	35.10
4875N-FA-BZ-G-WB	35.10
4875N-FA-CB-G-WB	53.05
4875N-FA-PB-G-WB	37.80
4875N-FA-WH-G-WB	30.60
4875N-FA-WI-G-WB	62.00

Trim Kits

Patented and Patents Pending
See watcomfg.com for details.

NOTE: For carded trim kits, place "-C" at end of item number.

NuFit® Kits

NuFit®

NuFit® kits and tub closures easily and quickly install over existing strainer bodies, requiring only the provided silicone adhesive.

NuFit®-Innovator®

Converts conventional overflow and drain to Innovator® snap-on overflow plate and NuFit® strainer body. Includes one each of #11121 Star Retainer Nut, #11641 Adapter Bar, Innovator® Overflow Plate, NuFit® body, stopper assembly, and silicone adhesive.

PRESFLO® TRIM KITS



948100-CP 30.70
METAL STOPPER..... ADD 5.05

OTHER PF AP	64.15	CB	75.65
FINISHES: BN	63.60	PB	75.65
BZ	82.70	WI	88.15

PUSH PULL® TRIM KITS



948500-CP..... 37.10

OTHER PP BN	58.75	PB	58.95
FINISHES: BS	65.30	WH	46.50
BZ	75.80		

10 Per Carton

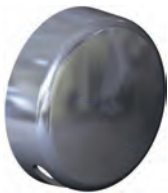
LIFT AND TURN TRIM KITS



948400-CP..... 33.50

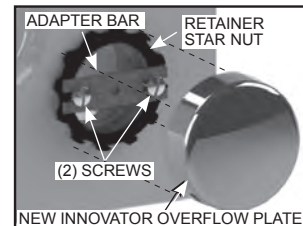
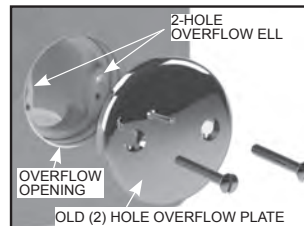
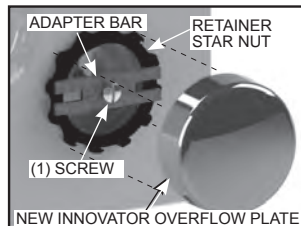
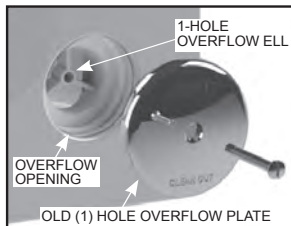
OTHER LT BN	49.30	CB	63.25
FINISHES: BZ	72.55	PB	48.70

See next page for additional NuFit® models.



Convert an existing 1-hole or 2-hole faceplate to the Innovator® snap-on faceplate.

INSTRUCTIONS FOR CONVERTING AN EXISTING 1-HOLE OR 2-HOLE OVERFLOW PLATE TO A NEW WATCO SNAP-ON INNOVATOR® OVERFLOW PLATE



1. Remove old 1-hole Overflow Plate. Save old screw and re-use.
2. Thread screw all the way into the Adapter Bar.
3. Center and hold the Retainer Star Nut, with prongs pointing out, onto the overflow opening.
4. Thread the screw, with adapter bar, into the Overflow Ell screw hole.
5. Snug the Adapter Bar up to the Retainer Star Nut. **DO NOT OVER TIGHTEN.**
6. Snap on the new Innovator Overflow Plate with the overflow opening facing down.

1. Remove old 2-hole Overflow Plate. Save old screws and re-use.
2. Center and hold the Retainer Star Nut, with prongs pointing out, and Adapter Bar onto overflow opening in position shown.
3. Pass the 2 screws through the end slots of the Adapter Bar and thread into the Overflow Ell screw holes.
4. Snug the Adapter Bar up to the Retainer Star Nut. **DO NOT OVER TIGHTEN.**
5. Snap on the new Innovator Overflow Plate with the overflow opening facing down.

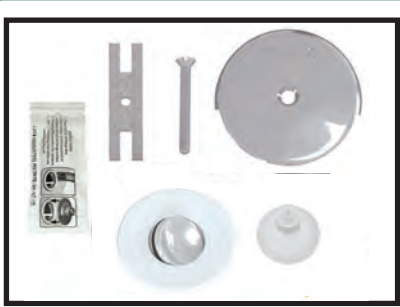
©2013 Watco Manufacturing Co. 1220 South Powell Road, Independence, MO 64057 816.796.3900 www.watcomfg.com



18900 0613

AVAILABLE IN 2-HOLE: Add "2H" to part number. (Example: 48100-CP-2H)

PRESFLO®



#48100 Trim Kit

Brass body, plastic stopper assembly, metal overflow plate, adapter bar, screw, suction cup, and silicone adhesive.



For metal stopper, add "-MS".

10 Per Carton

48100-CP **32.85**
METAL STOPPER **5.05**

OTHER	AP	64.15	CB	77.70
FINISHES:	BN	64.55	PB	63.60
	BZ	77.70	WI	93.45



#48200 Tub Closure

Brass body, plastic stopper assembly, suction cup, and silicone adhesive.



For metal stopper, add "-MS".

20 Per Carton

48200-CP **26.60**
MS: METAL STOPPER **5.05**

OTHER	AP	52.00	CB	63.10
FINISHES:	BN	51.55	PB	46.50
	BZ	68.00	WI	83.45

NuFIT® PRESFLO® FEATURES

Does not need crossbars in old body.

Requires minimum 1.490" I.D. opening
Flange covers maximum of 2.875" O.D.
Depth clearance needed = .850"

PUSH PULL®



#48500 Trim Kit

Brass body, brass stopper assembly, 3/8" and 5/16" brass pins, metal overflow plate, adapter bar, screw, and silicone adhesive. Old strainer body must have crossbars.

10 Per Carton

48500-CP **36.80**

OTHER	BN	58.75	PB	72.55
FINISHES:	BS	72.55	WH	66.25
	BZ	72.15		



#48600 Tub Closure

Brass body, brass stopper assembly, 3/8" and 5/16" brass pins, and silicone adhesive. Old strainer body must have crossbars.

20 Per Carton

48600-CP **30.05**

OTHER	BN	41.85	PB	46.50
FINISHES:	BS	56.80	WH	56.80
	BZ	61.40		

NuFIT® PUSH PULL® FEATURES

Old body MUST have crossbars.

Requires minimum 1.410" I.D. opening
Flange covers maximum of 2.875" O.D.
Depth clearance needed = .860"

LIFT AND TURN



#48400 Trim Kit

Brass body, brass stopper assembly, metal overflow plate, adapter bar, screw, and silicone adhesive. Has crossbars in body.

10 Per Carton

48400-CP **34.65**

OTHER	BN	63.60	CB	80.30
FINISHES:	BZ	63.60	PB	63.60

LIFT AND TURN REPLACEMENT STOPPER

See #38812 on page 58.



#48300 Tub Closure

Brass body, brass stopper assembly, and silicone adhesive. Comes with crossbars in strainer body.

20 Per Carton

48300-CP **26.45**

OTHER	BN	41.85	CB	66.30
FINISHES:	BZ	57.80	PB	46.50

NuFIT® LIFT AND TURN FEATURES

Does NOT need crossbars in old body.

Requires minimum 1.390" I.D. opening
Flange covers maximum of 2.875" O.D.
Depth clearance needed = .390"

Trim Kits

Patented and Patents Pending
See watcomfg.com for details.

NOTE: For carded trim kits, place "-C" at end of item number.

QuickTrim® Kits

QuickTrim® Kits

Install chrome on the rough-in and easily upgrade to a special finish without removing the strainer body!

- Sturdy stainless steel looks as good as the original strainer body.
- No reduction in flow rate.
- Produces very little additional height or inside-diameter reduction.
- Uses an o-ring for a tight, snug fit (one for brass strainer bodies and one for zinc strainer bodies).
- Eliminates destroying the integrity of your test.
- Eliminates labor required to remove and replace the strainer body.
- Eliminates the possibility of cross-threading or damaging the tub when replacing the strainer body, or of the drain fitting moving out of line due to being stressed during installation (can require cutting open the sheetrock to repair).

Designed for use on Watco's coarse-thread (1.865" - 11.5) strainer bodies: brass body #01016 and zinc body #11492

Will NOT work with PRESFLO® stoppers.

Strainer Body Covers

Existing stopper is to be used and existing strainer body must have good crossbars.



91050-CP 8.60

20 Per Carton

OTHER	AP 24.80	BO 17.30	CB 29.05	WH 18.25
FINISHES	BB 50.00	BS 17.30	NP 25.90	WI 27.30
AVAILABLE:	BN 14.85	BZ 14.85	PB 25.90	

Tub Closures

Existing strainer body must have good crossbars.



Brass Knob & Stopper

Lift and Turn **91615-CP** 20.15

PUSH PULL® **91610-CP** 20.15

Foot Actuated **91618-CP** 20.15

(FA ONLY in BN-BZ-CB-CP-NP-PB-WI)

20 Per Carton

OTHER	AP 69.05	BO 37.85	CB 42.70	WH 36.75
FINISHES	BB 90.60	BS 37.85	NP 39.75	WI 69.05
AVAILABLE:	BN 32.95	BZ 32.95	PB 34.10	

Same as above but with ABS Plastic Knob & Stopper

91651-PP-CP 16.95

ABS plastic knob and stopper for the 921, 951, 620, 621, and 651 and 661 bath wastes. PUSH PULL & CHROME FINISH ONLY.

20 Per Carton

Innovator® QuickTrim®

Lift and Turn **959290-CP** .. 24.00

PUSH PULL® **939290-CP** .. 24.00

Foot Actuated .. **969290-CP** .. 24.00

(FA ONLY in BN-BZ-CB-CP-NP-PB-WI)



10 Per Carton

OTHER	AP 82.70	BO 44.85	CB 52.30	WH 45.25
FINISHES	BB 102.20	BS 44.85	NP 49.35	WI 87.00
AVAILABLE:	BN 39.50	BZ 39.50	PB 55.80	

TO ADD STAR RETAINER NUT & ADAPTER BAR, ADD "-11" TO PART NUMBER.

EXAMPLE: 959290-CP-11. ADD \$3.25 TO LIST PRICE.

1-Hole Overflow

QuickTrim®

FOR 2-HOLE OVERFLOW
ADD "-2H" TO PART NUMBER.

EXAMPLE: 59290-CP-2H

Lift and Turn ... **59290-CP** ... 27.65

PUSH PULL® ... **39290-CP** ... 27.65

Foot Actuated ... **69290-CP** ... 27.65

(FA ONLY in BN-BZ-CB-CP-NP-PB-WI)



10 Per Carton

OTHER	AP 82.70	BO 44.85	CB 52.30	WH 45.25
FINISHES	BB 102.20	BS 44.85	NP 49.35	WI 87.00
AVAILABLE:	BN 39.50	BZ 39.50	PB 55.80	

Universal Innovator® QuickTrim®

Innovator® faceplate, strainer body cover, two o-rings, PUSH PULL® stopper assembly with 3/8" and 5/16" pins, adapter bar, retainer star nut, and silicone adhesive.



PUSH PULL® ... **U939290-CP** ... 31.90

10 Per Carton

OTHER	AP 101.05	BO 60.55	CB 73.05	WH 57.10
FINISHES	BB 149.25	BS 60.55	NP 73.20	WI 111.00
AVAILABLE:	BN 51.75	BZ 51.75	PB 63.40	

Universal 1-Hole QuickTrim®

1-hole faceplate and faceplate screw, strainer body cover, two o-rings, PUSH PULL® stopper assembly with 3/8" and 5/16" pins, adapter bar, and silicone adhesive.



PUSH PULL® **U39290-CP** .. 31.90

10 Per Carton

OTHER	AP 101.05	BO 60.55	CB 73.05	WH 57.10
FINISHES	BB 149.25	BS 60.55	NP 73.20	WI 111.00
AVAILABLE:	BN 51.75	BZ 51.75	PB 63.40	

FOR 2-HOLE OVERFLOW PLATE, ADD "2H" TO ITEM NUMBER.

528 Brass Cable Trim Kit

Trim Only

Overflow plate and overflow plate locking screw, TurnStyle® overflow mount without prongs, full-cover stopper with washer, and cable strainer body.



52800-CP 41.20

52800

BN 85.55	BZ 85.55	PB 53.25
BO 53.25	CB 85.55	WH 53.25
BS 53.25	NP 53.25	WI 122.65

10 Per Carton

Conversion Kit

Conversion kit with a short stopper converts a cable drain stopper to a Lift and Turn stopper assembly.



48301-CP 23.65

48301

BN 31.25	BZ 33.75	PB 28.80
BO 28.80	CB 36.45	WH 28.80
BS 28.80	NP 28.80	WI 37.25

20 Per Carton

Innovator Cable® Innovator CableFlex®

92999

Fits all Innovator Cable® and CableFlex® models.

Strainer body, core guide, cable faceplate, screw, stopper assembly, and overflow elbow retainer nut.



92888

Innovator Cable® Trim Kits

92999-CP 45.00

AP 228.10	BS 65.55	NP 138.15
BB 358.85	BZ 83.65	PB 138.35
BN 79.85	CB 152.45	WH 65.55
		WI 119.10

Innovator Cable® Trim Kits with ADA Handle

92999-CPAD 59.40

APAD 261.10	BSAD 81.90	NPAD 167.45
BBAD 403.75	BZAD 103.20	PBAD 167.45
BNAD 97.60	CBAD 176.20	WHAD 81.90

10 Per Carton

Fits all Innovator Cable® and CableFlex® models.

Stopper assembly, cable faceplate, screw, strainer body cover, o-ring, and cable overflow retainer nut cover.



QuickTrim®

No need to replace strainer body.

Innovator Cable® Trim Kits with QuickTrim® body cover

92888-CP 45.00

AP 228.10	BS 65.55	NP 138.15
BB 358.85	BZ 83.65	PB 138.35
BN 79.85	CB 152.45	WH 65.55
		WI 119.10

Innovator Cable® Trim Kits with ADA Handle and QuickTrim® body cover

92888-CPAD 59.40

APAD 290.10	BSAD 90.95	NPAD 186.05
BBAD 448.60	BZAD 114.65	PBAD 186.25
BNAD 108.40	CBAD 195.75	WHAD 90.95

10 Per Carton

Repair Kit

For all Innovator Cable® models

#92900
20.95

(See drawing on page 62 for what is included in Repair Kit.)

Trim Kits

11.5- & 12-Thread Bodies - Coarse Thread

Patented/Patent Pending **NOTE: For carded trim kits, place "-C" at end of item number.**

11.5-Thread Innovator® (Coarse Thread)

11.5-Thread

WITH SNAP-ON OVERFLOW PLATE



10 Per Carton

1-Hole OF Plate



FOR 2-HOLE OVERFLOW PLATE, ADD "2H" TO ITEM NUMBER. (Example: 58290-CP-2H)



10 Per Carton

Change trim finishes on Innovator® bath wastes.

Thread size: **1.865" O.D. - 11.5 tpi x 1.25" depth** Flange: **2-7/8"**

Trade designation 1-1/2" x 11.5 Coarse Thread

Lift and Turn	958290-CP ... 28.35	<i>Includes:</i>
PUSH PULL®	938290-CP ... 30.25	Innovator® OF Plate,
PRESFLO®	938250-CP ... 25.10	11.5 tpi Body, and
	(PF NOT in BO-BS-WH)	Stopper Assembly
Foot Actuated	968290-CP ... 25.25	
	(FA: in BN-BZ-CB-CP-NP-PB-WI)	

OTHER	AP 104.60	BO 31.90	CB 78.90	WH 52.40
FINISHES	BB 146.40	BS 50.65	NP 65.95	WI 115.10
AVAILABLE:	BN 47.75	BZ 55.55	PB 47.90	

Thread size: **1.865" O.D. x 11.5 tpi - 1.25" depth** Flange: **2-7/8"**

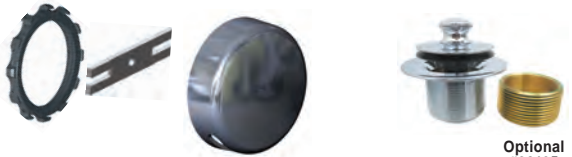
Trade designation 1-1/2" x 11.5 - Coarse Thread

Lift and Turn	58290-CP 33.75	<i>Includes:</i>
PUSH PULL®	38290-CP 33.70	1-Hole OF Plate,
PRESFLO®	38250-CP 25.25	1 OF Plate Screw,
	(PF NOT in BO-BS-WH)	11.5 tpi Body,
Foot Actuated	68290-CP 25.45	Stopper Assembly,
	(FA: in BN-BZ-CB-CP-NP-PB-WI)	Adapter Bar

OTHER	AP 107.60	BO 42.90	CB 77.45	WH 60.95
FINISHES	BB 159.10	BS 55.90	NP 74.55	WI 118.35
AVAILABLE:	BN 49.35	BZ 54.00	PB 48.80	

TRIM KITS TO CONVERT OLD OVERFLOW TO WATCO'S INNOVATOR® SNAP-ON OVERFLOW PLATE

10 Per Carton



Optional #38105 Bushing

SEE PAGES 50 OR 60 FOR INSTRUCTIONS.

Convert 1- or 2-hole overflow plate to Innovator® snap-on overflow.

Thread size: **1.865" O.D. - 11.5 tpi x 1.25" depth** Flange: **2-7/8"**

Lift and Turn	91100-LT-CP 32.70	<i>Includes:</i>
PUSH PULL®	91100-PP-CP ... 32.70	Retainer Star Nut,
PRESFLO®	91100-PF-CP ... 36.45	Overflow Plate,
	(PF NOT in BO-BS-WH)	Adapter Bar,
Foot Actuated	91100-FA-CP ... 27.75	11.5 tpi Body,
	(FA: in BN-BZ-CB-CP-NP-PB-WI)	Stopper Assembly

OTHER	AP 105.60	BO 56.25	CB 78.90	WH 56.75
FINISHES	BB 149.45	BS 56.25	NP 70.30	WI 119.45
AVAILABLE:	BN 51.35	BZ 58.10	PB 52.25	

Above trim kits with 38105 Bushing, converts to 2.11" O.D. - 16 tpi

Lift and Turn	91105-LT-CP 36.95	<i>Fits Kohler 7150</i>
PUSH PULL®	91105-PP-CP ... 38.30	<i>bath wastes.</i>
PRESFLO®	91105-PF-CP ... 32.65	
	(PF NOT in BO-BS-WH)	
Foot Actuated	91105-FA-CP ... 33.10	
	(FA: BN-BZ-CB-CP-NP-PB-WI)	

OTHER	AP 113.60	BO 64.25	CB 80.70	WH 61.40
FINISHES	BB 150.60	BS 64.25	NP 68.95	WI 113.60
AVAILABLE:	BN 65.05	BZ 65.05	PB 74.55	

Above trim kits with 38105 bushing, converts to 2.11" O.D. - 16 tpi

Lift and Turn	58390-CP 37.70	<i>Fits Kohler 7150</i>
PUSH PULL®	38390-CP 37.70	<i>bath wastes</i>
PRESFLO®	38280-CP 33.25	
	(PF NOT in BO-BS-WH)	
Foot Actuated	68390-CP 34.55	
	(FA: in BN-BZ-CB-CP-NP-PB-WI)	

OTHER	AP 115.60	BO 57.75	CB 78.40	WH 63.40
FINISHES	BB 152.60	BS 65.50	NP 70.95	WI 115.60
AVAILABLE:	BN 62.85	BZ 62.85	PB 57.75	

Above trim kits with 38105 bushing and WIDE FLANGE Flange: **3.00"**

Converts to 2.11" O.D. - 16 tpi

Lift and Turn	58390W-CP .. 42.75	PB 65.95
PUSH PULL®	38390W-CP .. 42.75	PB 65.95
Foot Actuated	68390W-CP .. 40.70	PB 65.95

WIDE FLANGE Strainer Bodies

Thread size: **1.865" O.D. - 11.5 tpi - 1.25" depth** Flange: **3.00"**

Trade designation 1-1/2" x 11.5 - Coarse Thread

Lift and Turn	58296-CP 33.70	<i>Includes:</i>
PUSH PULL®	38296-CP 33.55	1-Hole OF Plate,
Foot Actuated	68296-CP 30.45	1 OF Plate Screw,
		11.5 tpi Body with
		3.00" Flange,
		Stopper Assembly,
		Adapter Bar

OTHER FINISH AVAILABLE: PB... **55.60**

12-Thread (Coarse Thread)

Thread size: **1.75" O.D. - 12 tpi x 1.25" depth** Flange: **2-7/8"**

Lift and Turn	58433-CP 32.25	<i>Includes:</i>
PUSH PULL®	38433-CP 32.25	1-Hole OF Plate,
Foot Actuated	68433-CP 32.25	1 OF Plate Screw,
		12 tpi Body,
		Stopper Assembly,
		Adapter Bar

AVAILABLE ONLY IN CHROME

Trim Kits

Patented and Patents Pending
See watcomfg.com for details.

14- & 16-Thread Bodies - Fine Thread

Trim Kits: Fine-Thread Bodies - 14 & 16 tpi

NOTE: For carded trim kits, place "-C" at end of item number.

Innovator® 16-Thread (Fine Thread)

**For the Innovator® Plus
940/941 Series only**

WITH SNAP-ON
OVERFLOW PLATE



10 Per Carton

Change trim finishes on Innovator® Plus bath wastes.

Thread size: **1.625" O.D. - 16 tpi x 1.25" depth** Flange: **2-7/8"**

Trade designation 1-3/8" x 16 - Fine Thread

Lift and Turn	958080-CP	25.75	<i>Includes:</i>
PUSH PULL®	938080-CP	26.45	Innovator® OF Plate,
PRESFLO®	938260-CP	25.10	16 tpi Body,
(PF NOT in AB-BO-BS-WH)			Stopper Assembly
Foot Actuated	968080-CP	24.90	
(FA: BN-BZ-CB-CP-NP-PB-WI)			

OTHER AP	104.60	BO 46.75	CB 71.70	WH 52.40
FINISHES BB	141.60	BS 54.50	NP 59.95	WI 104.60
AVAILABLE: BN	53.05	BZ 53.05	PB 46.75	

Convert 1- or 2-Hole to Snap-On Overflow

Thread size: **1.625" O.D. - 16 tpi x 1.25" depth** Flange: **2-7/8"**

Lift and Turn	91600-LT-CP	28.80	<i>Includes:</i>
PUSH PULL®	91600-PP-CP	28.30	Retainer Star Nut,
PRESFLO®	91600-PF-CP	25.35	Overflow Plate,
(PF NOT in BO-BS-WH)			Adapter Bar,
Foot Actuated	91600-FA-CP	25.90	16 tpi Body,
(FA: BN-BZ-CB-CP-NP-PB-WI)			Stopper Assembly

OTHER AP	107.85	BO 50.00	CB 74.95	WH 55.65
FINISHES BB	144.85	BS 57.75	NP 63.20	WI 107.65
AVAILABLE: BN	56.30	BZ 56.30	PB 50.00	

10 Per Carton

Above trim kits with 38101 bushing converts to 1.865" O.D. - 11.5 tpi

Lift and Turn	958190-CP	36.80	<i>Includes:</i>
PUSH PULL®	938190-CP	36.30	Retainer Star Nut,
PRESFLO®	938270-CP	33.35	Overflow Plate,
(PF NOT in BO-BS-WH)			Adapter Bar,
Foot Actuated	968190-CP	33.90	16 tpi Body,
(FA: BN-BZ-CB-CP-NP-PB-WI)			Stopper Assembly,
			38101 Bushing

OTHER AP	115.85	BO 58.00	CB 82.95	WH 63.65
FINISHES BB	152.85	BS 65.75	NP 71.20	WI 115.85
AVAILABLE: BN	64.30	BZ 64.30	PB 58.00	

16-Thread (Fine Thread) 1-Hole OF

**Change trim finishes on
1-Hole bath wastes.**

For 2-Hole Overflow plate,
add "2H" to item number.
(Example: 58080-CP-2H)



Thread size: **1.625" O.D. - 16 tpi x 1.25" depth** Flange: **2-7/8"**

Trade designation 1-3/8" x 16 - Fine Thread

Lift and Turn	58080-CP	29.40	<i>Includes:</i>
PUSH PULL®	38080-CP	29.40	1-Hole OF Plate,
PRESFLO®	38260-CP	32.55	1 OF Plate Screw,
(PF NOT in BO-BS-WH)			16-tpi Body,
Foot Actuated	68080-CP	26.05	Stopper Assembly,
(FA: BN-BZ-CB-CP-NP-PB-WI)			Adapter Bar

OTHER AP	107.60	BO 49.75	CB 70.40	WH 55.40
FINISHES BB	144.60	BS 57.50	NP 62.95	WI 107.60
AVAILABLE: BN	54.85	BZ 54.85	PB 49.75	

Above trim kits with 38101 bushing converts to 1.865" O.D. - 11.5 tpi

Lift and Turn	58190-CP	34.35	<i>Includes:</i>
PUSH PULL®	38190-CP	36.10	1-Hole OF Plate,
PRESFLO®	38270-CP	37.10	1 OF Plate Screw,
(PF NOT in BO-BS-WH)			16-tpi Body,
Foot Actuated	68190-CP	31.20	Stopper Assembly,
(FA: BN-BZ-CB-CP-NP-PB-WI)			Adapter Bar,
			38101 Bushing

OTHER AP	115.60	BO 57.75	CB 86.25	WH 69.75
FINISHES BB	167.85	BS 65.50	NP 78.05	WI 127.20
AVAILABLE: BN	59.70	BZ 60.65	PB 57.75	

10 Per Carton

Bushing Body Trim Kit & #38112 Bushing

Thread size: **1.375" O.D. - 16 tpi x 1.5" depth** with Flange: **2-7/8"**
38112 bushing, **converts to 1.625" O.D. - 14 tpi**

Lift and Turn	51612-CP	41.70
PUSH PULL®	38212-CP	43.70



OTHER FINISHES	BN 67.75	BZ 67.75	CB 77.90	WH 74.50
AVAILABLE:	BO 70.95	CB 77.90	PB 63.85	

14-Thread (Fine Thread) - 1-Hole OF

10 Per Carton

Change trim finishes on 1-Hole bath wastes.

Thread size: **1.625" O.D. - 14 tpi x 1.25" depth** Flange: **2-7/8"**

Trade designation 1-3/8" x 14

Lift and Turn	58490-CP	27.70	<i>Includes:</i>
PUSH PULL®	38490-CP	29.00	1-Hole OF Plate,
Foot Actuated	68490-CP	27.05	Screw, 14 tpi Body,
(FA: BN-BZ-CB-CP-NP-PB-WI) NO NP.			Stopper Assembly,
			Adapter Bar

OTHER FINISHES	BN 56.95	BZ 56.95	PB 51.80
AVAILABLE:	BO 57.55	CB 66.45	WH 57.55

16-Thread: 1" body depth (Fine Thread)

Thread size: **1.625" O.D. - 16 tpi x 1" depth** Flange: **2-7/8"**

PUSH PULL®	38090-CP	26.85
-------------------------	-----------------------	--------------

OTHER FINISHES:	AB 62.45	BO 58.05	PB 52.25	WH 58.05
-----------------	----------	----------	----------	----------

With 38104 bushing converts to 1.9" O.D. - 14 tpi

PUSH PULL®	38194-CP	40.65
-------------------------	-----------------------	--------------



Thread size: **1-11/16" O.D. - 16 tpi x 1" depth** Flange: **2-7/8"**

Trade designation 1-11/16"

PUSH PULL®	38420-CP	34.10	<i>Chrome only.</i>
-------------------------	-----------------------	--------------	---------------------

Trim Kits

NOTE: for carded trim kits, Place "-C" at end of item number.

Trip-Lever Type Kits

Dome Strainer Cover Kits

Dome Strainer Cover and Bushing Trim Kit

38101 Bushing converts to 11.5 tpi



1-Hole Overflow Plate, Overflow Plate Screw, Adapter Bar, Dome Strainer Cover, Strainer Cover Plate Screw, #11490CP 16-tpi trip lever strainer body, and #38101 bushing

38661-CP.....22.95

BN 47.95	BZ 47.95	PB 32.85
BO 36.45	CB 55.95	WH 36.45
BS 36.45	NP 37.90	WI 68.20

20 Per Carton

LINKAGE ONLY (TRIP LEVER)

20 Per Carton

#10950 Trip Lever Quick Adjust® Clevis, #10952 TL Linkage Nut, #10953 Eye Bolt, #10954 5-1/4" Double-Loop Wire, #10930 Cotter Pin annealed, and appropriate Drop Cylinder.

38660-BRS

38660-BRS..... 15.50
38660-ABS..... 8.20
38660-PVC..... 8.20



Dome Strainer Cover and Screw

Covers existing trip-lever-type strainer body. One each of the Dome Strainer Cover and Strainer Cover Plate Screw.



18660-CP 2.40

BN 15.70	BZ 15.70	PB 6.55
BO 6.90	CB 18.30	WH 7.65
BS 7.65	NP 7.65	WI 21.15

20 Per Carton

TRIP LEVER WITH LINKAGE & DROP

20 Per Carton

Faceplate, Linkage, and Drop Cylinder

Fits up to 16" Trip Lever models.

Trip lever faceplate assembly (QUICK ADJUST® clevis), trip lever linkage parts, 5.25" double-loop wire, and drop cylinder. NO screws included.

10770-PVC



PLASTIC	LIST PRICE	BRASS	LIST PRICE
10770-*___-CP.....	16.30	10770-BRS-CP	22.20

BN 53.00	BZ 53.00	PB 41.90	BN 58.90	BZ 58.90	PB 47.80
BO 46.55	CB 61.80	WH 46.55	BO 52.45	CB 67.70	WH 52.45
BS 46.55	NP 48.90	WI 74.45	BS 52.45	NP 54.80	WI 80.35

*Indicate if drop cylinder is ABS or PVC.

Dome Strainer Cover and Screw, Strainer Body, NO Bushing

Coarse-Thread 11.5 tpi..... **18662-CP 8.40**
 Fine-Thread 16 tpi..... **18663-CP 8.40**



Dome Strainer Cover, Strainer Cover Plate Screw, trip lever strainer body, NO bushing.

BN 19.00	BZ 19.00	PB 10.50
BO 11.50	CB 22.20	WH 10.95
BS 11.50	NP 11.50	WI 26.10

Dome Strainer Cover and Screw, 16-tpi Body, and Bushing

38101 Bushing converts to 11.5 tpi



Dome Strainer Cover, Strainer Cover Plate Screw, #11490CP 16-tpi trip lever strainer body, and the #38101 bushing.

18661-CP.....15.50

BN 25.75	BZ 25.75	PB 32.85
BO 19.35	CB 30.05	WH 18.40
BS 19.35	NP 19.35	WI 34.00

10 Per Carton

TRIP LEVER WITH LINKAGE, WIRES & DROP

12 Per Carton

Faceplate, Linkage, Drop Cylinder, Extra Double-Loop Wires

Fits up to 24" Trip Lever models.

Trip lever faceplate assembly (QUICK ADJUST® clevis), Trip Lever linkage parts, standard 5.25" double-loop wire plus four additional wires, and a drop cylinder. NO screws included.

10771-PVC



PLASTIC	LIST PRICE	BRASS	LIST PRICE
10771-*___-CP.....	30.50	10771-BRS-CP.....	36.40

BN 65.05	BZ 65.05	PB 55.65	BN 70.95	BZ 70.95	PB 61.55
BO 55.65	CB 75.90	WH 58.75	BO 61.55	CB 81.80	WH 64.65
BS 55.65	NP 55.65	WI 88.60	BS 61.55	NP 61.55	WI 94.50

*Indicate if drop cylinder is ABS or PVC.

TRIM ONLY TRIP LEVER & SLIPLOCK®

For either plastic or brass bath wastes

One trip lever faceplate assembly, two overflow plate screws, one cotter pin, one strainer body dome cover and screw.



38702-CP..... 13.80

BN 50.65	BZ 50.65	PB 32.85
BO 41.75	CB 59.10	WH 39.60
BS 41.75	NP 41.75	WI 71.80

Trim Kits


Trip Lever • SLIP LOCK® • TURNSTYLE®

20 Per Carton

TRIP LEVER ALL TRIM, LINKAGE & DROP

Fits up to 16" Trip Lever models.

Trip lever faceplate assembly (QUICK ADJUST® clevis), Trip Lever linkage parts, 5.25" double-loop wire, drop cylinder, overflow plate screws, and strainer cover plate and screw.



38770

PLASTIC			BRASS		
	LIST PRICE			LIST PRICE	
38770 -*___-CP 19.00			38770 -BRS-CP 24.90		
BN 54.70	BZ 54.70	PB 43.65	BN 60.60	BZ 60.60	PB 49.55
BO 43.65	CB 63.80	WH 44.95	BO 49.55	CB 69.70	WH 50.85
BS 43.65	NP 43.65	WI 76.45	BS 49.55	NP 49.55	WI 82.35


**Indicate if drop cylinder is ABS or PVC.*

ALL TRIM, LINKAGE, DROP & EXTRA WIRES

Fits up to 24" Trip Lever models.

Trip lever faceplate assembly (QUICK ADJUST® clevis), Trip Lever linkage parts, 5.25" double-loop wire plus four additional wires, drop cylinder, overflow plate screws, and strainer cover plate and screw.

12 Per Carton




38771

PLASTIC			BRASS		
	LIST PRICE			LIST PRICE	
38771 -*___-CP..... 32.40			38771 -BRS-CP 38.30		
BN 66.70	BZ 66.70	PB 62.95	BN 72.60	BZ 72.60	PB 68.85
BO 62.95	CB 77.80	WH 62.95	BO 68.85	CB 83.70	WH 68.85
BS 62.95	NP 62.95	WI 90.55	BS 68.85	NP 68.85	WI 96.45

**Indicate if drop cylinder is ABS or PVC.*

20 Per Carton

SLIP LOCK® TRIP LEVER



38170
38180

ADA

Change trim finishes and linkage on SLIP LOCK® bath wastes.

NO DROP CYLINDER.

Thread size: 1.625" O.D. – 16 tpi x 1.25" depth Flange: 2-7/8"

38170-CP..... **32.70**

Thread size: 1.865" O.D. – 11.5 tpi x 1.25" depth Flange: 2-7/8"

38180-CP..... **32.70**

OTHER	BN 67.85	BZ 67.85	NP 67.85	WH 67.85
FINISHES	BO 67.85	CB 79.15	PB 67.85	WI 96.05
AVAILABLE:	BS 67.85			

20 Per Carton

39100

**Same as above but
NO STRAINER BODY.**

39100-CP **27.05**

BN 63.00	BZ 63.00	PB 63.00
BO 63.00	CB 73.50	WH 63.00
BS 63.00	NP 63.00	WI 78.90

TURNSTYLE® TRIM & LINKAGE



TURNSTYLE®
Assembly
only

20200-CP
17.90
Chrome Only

20 Per Carton



39500-CP
34.20

BN 68.35	NP 55.90
BO 55.90	PB 57.75
BS 57.65	WH 59.95
BZ 68.35	WI 105.45
CB 68.35	

For models
up to
16"

12 Per Carton



39551-CP
38.10

BN 76.70	NP 62.75
BO 62.75	PB 64.85
BS 64.70	WH 67.30
BZ 76.70	WI 115.10
CB 76.70	

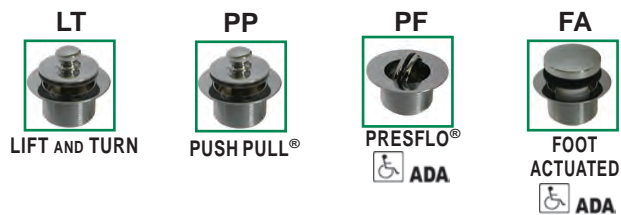
For models
up to
24"

Trip Lever - Slip Lock® - Turnstyle® Trim Kits

Tub Closures

NOTE: For carded trim kits, place "-C" at end of item number.

Coarse-Thread Bodies



Also available,
Tub Closures
with
Adapter Bushings
(Page 58-59)



20 Per Carton

11.5 THREADS PER INCH (Coarse-Thread)

1.865" O.D. - 11.5 tpi x 1.25" depth Flange: 2-7/8"

11.5-Thread Strainer Body and Stopper Assembly
Trade designation 1-1/2" x 11.5

Lift and Turn	58305-CP	23.40
PUSH PULL®	38305-CP	23.40
PRESFLO® (NOT in BO-BS-WH)	38360-CP	20.40
Foot Actuated (BN-BZ-CB-CP-NP-PB-WI)	68305-CP	19.70

Other Finishes:

AP 84.35	BO 42.00	CB 65.45	WH 58.60
BB 123.20	BS 44.10	NP 57.40	WI 93.80
BN 32.20	BZ 39.55	PB 37.80	

WITH 38105 BUSHING Converts to 2.11" - 16

Lift and Turn	58329-CP	33.55
PUSH PULL®	38329-CP	33.90
PRESFLO® (NOT in BO-BS-WH)	38370-CP	36.10
Foot Actuated (BN-BZ-CB-CP-NP-PB)	68329-CP	33.55

AP 77.05	BO 57.50	CB 67.10	WH 54.20
BB 122.55	BS 60.65	NP 60.65	WI 77.05
BN 57.55	BZ 57.55	PB 53.55	

11.5 THREADS PER INCH (Cont.)

1.865" O.D. - 11.5 tpi x 1.25" depth Flange: 2-7/8"

ABS plastic knob and stopper; trade designation 1-1/2" x 11.5

PUSH PULL® Zinc Strainer Body.....	38651-CP ...	13.50
PUSH PULL® Brass Strainer Body.....	38921-CP ...	17.70

Available only in Chrome Plated

1.865" O.D. - 11.5 tpi x 1.25" depth WIDE Flange: 3"

Wide-Flange strainer body with stopper assembly

Lift and Turn	58306-CP	20.80	PB	43.00
PUSH PULL®	38306-CP	26.10	PB	43.00
Foot Actuated	68306-CP	23.00	PB	43.00

12 THREADS PER INCH (Coarse-Thread)

1.750" O.D. - 12 tpi x 1.25" depth Flange: 2-7/8"

Lift and Turn	58333-CP	23.45
PUSH PULL®	38333-CP	23.45
Foot Actuated	68333-CP	23.45

Available only in Chrome Plated

Replacement Stoppers

20 Per Carton

LIFT AND TURN - 3/8" PIN ONLY



Standard Length..... **38810-CP**..... **12.50**

Other Finishes Available:

AP 34.90	BO 25.95	CB 37.65	WH 31.50
BB 55.65	BS 23.40	NP 35.65	WI 41.20
BN 24.50	BZ 24.50	PB 23.40	

Brass knob and stopper

NuFit; short pin..... **38812-CP**..... **15.50**
BN 29.30 | BZ 29.30 | CB 34.95 | PB 33.30

FOOT ACTUATED - 3/8" OR 5/16" PIN



ABS Plastic

3/8" Pin..... **38412-CP**..... **8.65**
BN 16.90 | CB 24.40 | NP 20.90 | PB 20.90
BZ 20.70 | WI 38.50

5/16" Pin..... **38410-CP**..... **8.10**

Replacement Seal..... **11519**..... **0.80**

PUSH PULL® - WITH 3/8" & 5/16" PINS



Brass Knob/Stopper..... **38516-CP**... **15.40**

Other Finishes Available:

AP 37.05	BO 26.30	CB 36.00	WH 37.10
BB 56.30	BS 28.15	NP 41.80	WI 47.50
BN 23.95	BZ 24.85	PB 24.15	

#38516-CP
Brass knob and stopper

ABS Knob/Stopper..... **38530-CP**... **10.25**
Available only in Chrome

PUSH PULL® - WITH ONE PIN



**#38610-
#38710-
#38540-**
Brass knob and stopper

3/8" Pin: Brass Knob/Stopper... **38610-CP**... **12.05**
5/16" Pin: Brass Knob/Stopper... **38710-CP**... **11.85**
1/4" Pin: Brass Knob/Stopper... **38540-CP**... **14.75**

Other Finishes Available:

AP 34.60	BO 29.90	CB 30.70	WH 26.15
BB 54.35	BS 26.15	NP 26.15	WI 37.55
BN 23.70	BZ 23.70	PB 22.45	

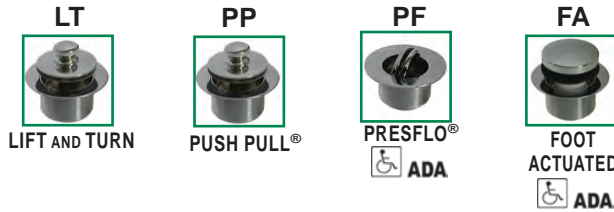
3/8" Pin: ABS Knob/Stopper..... **38520-CP**... **7.70**

Universal NuFit® PP Replacement Stopper:
See pages 45 or 47

Tub Closures

NOTE: For carded trim kits, place "-C" at end of item number.

Fine-Thread Bodies



20 Per Carton

Tub Closures with Adapter Bushings also available. (Page 58-59)

Tub Closures: Fine-Thread Bodies - 14 & 16 tpi

14 THREADS PER INCH (Fine-Thread)

1.625" O.D. - 14 tpi x 1.25" depth Flange: 2-7/8"

Stopper assembly and 14-tpi Strainer Body
Trade designation 1-3/8" x 14

Lift and Turn	58309-CP	23.95
PUSH PULL®	38309-CP	25.80
PRESFLO® (ONLY IN CP & PB).....	38395-CP	23.90
Foot Actuated (BN-BZ-CB-CP-PB).....	68309-CP	23.95

Other	BN	44.00	BZ	52.90	PB	36.25
Finishes:	BO	36.90	CB	48.45	WH	38.45

1.625" O.D. - 14 tpi x 1.25" depth WIDE Flange: 3.0"

Stopper Assembly and 14-tpi, Wide-Flange Strainer Body

Lift and Turn	58308-CP	26.10	PB	42.35
PUSH PULL®	38308-CP	26.10	PB	42.35
Foot Actuated	68308-CP	24.85	PB	42.35

16 THREADS PER INCH (Fine-Thread)

1.625" O.D. - 16 tpi x 1.0" depth Flange: 2-7/8"

PUSH PULL®	38325-CP	24.00	Body Depth: 1"
Tub Closure without bushing.....	38325-CP	24.00	
With 38101 bushing: to 1.865" O.D. x 11.5	38312-CP	28.25	
With 38102 bushing: to 1.8" O.D. x 14	38313-CP	34.30	

Other	BN	44.30	PB	44.30	WH	44.30
Finishes:	BO	44.30	PB	44.30	WH	44.30

1.625" O.D. - 16 tpi x 1.25" depth WIDE Flange: 3.0"

Stopper Assembly and 16-tpi, Wide-Flange Strainer Body

Lift and Turn	58307-CP	25.30	PB	42.35
PUSH PULL®	38307-CP	25.85	PB	42.35
Foot Actuated	68307-CP	24.85	PB	42.35

1.375" O.D. - 16 tpi x 1.50" depth Flange: 2-7/8"

Bushing Strainer Body and Stopper Assembly
Trade designation 1-3/8" x 16 (See page 56 for adapter bushings.)

Lift and Turn	58220-CP	23.80
PUSH PULL®	38220-CP	24.65

Other	BN	44.45	BZ	51.85	PB	40.40
Finishes:	BO	47.10	CB	51.85	WH	40.40

16 THREADS PER INCH (Cont.)

1.625" O.D. - 16 tpi x 1.25" depth Flange: 2-7/8"

Stopper assembly and 16-tpi Strainer Body
Trade designation 1-3/8" x 16

Lift and Turn	58301-CP	24.15
PUSH PULL®	38301-CP	24.15
PRESFLO® (NOT in BO-BS-WH).....	38380-CP	26.60
Foot Actuated (BN-BZ-CB-CP-NP-PB-WI).....	68301-CP	20.65

Other Finishes:

AP	69.55	BO	37.80	CB	58.80	WH	59.30
BB	114.25	BS	44.10	NP	54.10	WI	93.00
BN	35.75	BZ	42.50	PB	37.80		

WITH 38101 BUSHING Converts to 1.865" - 11.5

Lift and Turn	58319-CP	29.95
PUSH PULL®	38319-CP	29.95
PRESFLO® (NOT in BO-BS-WH).....	38219-CP	32.15
Foot Actuated (BN-BZ-CB-CP-NP-PB-WI).....	68319-CP	27.25

AP	77.35	BO	45.80	CB	56.80	WH	67.30
BB	112.05	BS	52.10	NP	52.10	WI	89.90
BN	45.65	BZ	49.85	PB	45.80		

WITH 38102 BUSHING Converts to 1.8" - 14

Lift and Turn	58350-CP	36.05
PRESFLO® (NOT in BO-BS-WH).....	38350-CP	37.15

AP	84.75	BO	64.00	CB	64.00	WH	59.35
BB	119.45	BS	59.35	NP	59.35	WI	84.75
BN	64.00	BZ	64.00	PB	59.35		

WITH 38103 BUSHING Converts to 1.802" - 16

Lift and Turn	58321-CP	35.55
PUSH PULL®	38321-CP	37.35
PRESFLO® (NOT in BO-BS-WH).....	38385-CP	38.40
Foot Actuated (BN-BZ-CB-CP-NP-PB-WI).....	68321-CP	35.55

AP	86.05	BO	60.65	CB	65.35	WH	60.65
BB	120.75	BS	60.65	NP	60.65	WI	86.05
BN	65.35	BZ	65.35	PB	60.65		

WITH 38104 BUSHING Converts to 1.9" - 14

Lift and Turn	58317-CP	37.90
PUSH PULL®	38317-CP	39.80
PRESFLO® (NOT in BO-BS-WH).....	38375-CP	40.75
Foot Actuated (BN-BZ-CB-CP-NP-PB-WI).....	68317-CP	37.90

AP	86.05	BO	63.15	CB	67.80	WH	63.15
BB	123.25	BS	63.15	NP	63.15	WI	86.05
BN	67.80	BZ	67.80	PB	63.10		

Faceplate Kits

NOTE: For carded trim kits, place "-C" at end of item number.

1-Hole Faceplate Kits



Includes one #01002 faceplate and one #01024 faceplate screw.

- Faceplate Diameter - 3 3/8"



18001-CP 7.80

AP 34.30	BO 16.60	CB 28.55	WH 19.35
BB 70.50	BS 16.60	NP 16.60	WI 37.75
BN 20.05	BZ 21.15	PB 16.60	

10 Per Carton

Same Kit but with Adapter Bar



Includes one #01002 faceplate, one #01024 faceplate screw, and one #11641 adapter bar.

- Faceplate Diameter - 3 3/8"



18003-CP 9.20

AP 35.90	BO 17.95	CB 30.30	WH 27.15
BB 65.70	BS 17.95	NP 18.20	WI 39.50
BN 22.40	BZ 22.40	PB 17.95	

10 Per Carton

2-Hole Faceplate Kits



Includes one #01003 faceplate and two #01024 faceplate screws.

- Faceplate Diameter - 3 3/8"



18002-CP 9.25

AP 41.65	BO 19.55	CB 32.70	WH 22.80
BB 84.05	BS 19.85	NP 19.55	WI 45.80
BN 22.90	BZ 24.15	PB 19.55	

10 Per Carton

Innovator® Faceplate Kits



Converts 1-or 2-hole faceplate to the Innovator® faceplate. Includes faceplate, retainer star nut, and adapter bar.

- Faceplate Diameter - 3 1/8"

18009-CP 8.05

AP 31.60	BO 14.65	CB 20.90	WH 14.65
BB 63.40	BS 14.65	NP 18.10	WI 31.60
BN 18.25	BZ 19.25	PB 15.55	

10 Per Carton

See below for conversion instructions.

Trip Lever Faceplate Kits



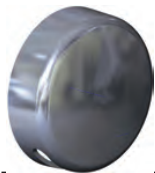
Includes one #10700 trip lever faceplate assembly, two #01024 faceplate screws, and one #10930 cotter pin.

- Faceplate Diameter - 3 3/8"

18702-CP 12.85

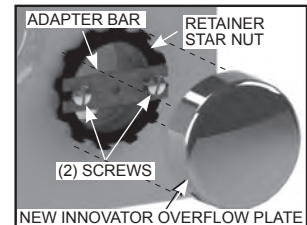
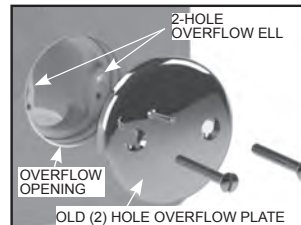
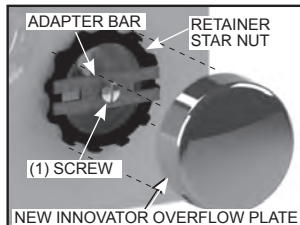
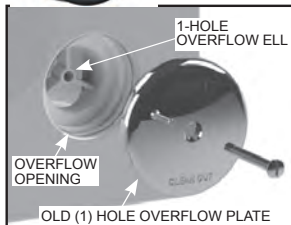
BN 31.20	BZ 31.20	NP 28.00	WH 29.65
BO 25.40	CB 44.50	PB 33.10	WI 46.10
BS 29.65			

10 Per Carton



With Overflow Plate Kit #18009 (above), convert an existing 1-hole or 2-hole faceplate to the Innovator® snap-on faceplate.

INSTRUCTIONS FOR CONVERTING AN EXISTING 1-HOLE OR 2-HOLE OVERFLOW PLATE TO A NEW WATCO SNAP-ON INNOVATOR® OVERFLOW PLATE



1. Remove old 1-hole Overflow Plate. Save old screw and re-use.
2. Thread screw all the way into the Adapter Bar.
3. Center and hold the Retainer Star Nut, with prongs pointing out, onto the overflow opening.
4. Thread the screw, with adapter bar, into the Overflow Ell screw hole.
5. Snug the Adapter Bar up to the Retainer Star Nut. **DO NOT OVER TIGHTEN.**
6. Snap on the new Innovator Overflow Plate with the overflow opening facing down.

1. Remove old 2-hole Overflow Plate. Save old screws and re-use.
2. Center and hold the Retainer Star Nut, with prongs pointing out, and Adapter Bar onto overflow opening in position shown.
3. Pass the 2 screws through the end slots of the Adapter Bar and thread into the Overflow Ell screw holes.
4. Snug the Adapter Bar up to the Retainer Star Nut. **DO NOT OVER TIGHTEN.**
5. Snap on the new Innovator Overflow Plate with the overflow opening facing down.



BRASS ADAPTER BUSHINGS



38100BUSH: 204.25






Bushing Display Board
with Bushings #38101 - #38116

PROD#	COLOR	CONVERTS: O.D. Body Threads	to	O.D. Bushing Threads	LIST
38101	Green	converts from 1.625" - 16	to	1.865" - 11.5	6.70
38102	Blue	converts from 1.625" - 16	to	1.8" - 14	13.05
38103	Red	converts from 1.625" - 16	to	1.802" - 16	14.20
38104	Orange	converts from 1.625" - 16	to	1.9" - 14	16.30
38105	Purple	converts from 1.865" - 11.5	to	2.11" - 16	15.75
38106	Pink	converts from 1.865" - 11.5	to	2.35" - 11.5	33.15
38107	Lt. Blue	converts from 1.625" - 16	to	1.735" - 16	20.70
38108	Lt. Green	converts from 1.625" - 16	to	1.865" - 16 (.5" Height)	17.75
38109	Brown	converts from 1.625" - 16	to	1.75" - 12	22.45
38110	Silver	converts from 1.625" - 16	to	1.865" - 14	27.05
38111*	White	converts from 1.375" - 16	to	1.625" - 16	27.05
38112*	Yellow	converts from 1.375" - 16	to	1.625" - 14	27.05
38113*	Black & White	converts from 1.375" - 16	to	1.813" - 14	29.25
38114*	Black	converts from 1.375" - 16	to	1.75" - 12	29.25
38115	Red & Blue	converts from 1.865" - 11.5	to	2.00" - 16	27.45
38116*	Orange & Purple	converts from 1.375" - 16	to	1.6615" - 18	35.35

* Fits the 01033__ bushing strainer body on page 31-37.

TEST CAPS & TEST PLUGS

PROD # LIST PRICE

11114		Test Cap for Innovator® Schedule 40 series.....	11114	1.30
11577		Green Test Plug with "O"-Ring-Type Washer.....	11575	2.50
11587		3/8" Test Plug, metal threads.....	11587	10.05
11594		New Test Kit for 600 Series bath wastes, plastic..... Includes one #11577 and one #11594 test plug (listed individually below).	11565	3.75
11577		1/4" Test Plug.....	11594	1.25
		3/8" Test Plug.....	11575	2.50



NEW!! WATCO'S IMPROVED STRAINER BODY REMOVAL TOOL
Fits standard strainer bodies and the Innovator® Drain crossbars.

20.95



11111-SET
COLOR SAMPLE SET

34.80

SCHEDULE 40 CONDENSATE ADAPTER



SCH40CD-ABS 3.95
SCH40CD-PVC 3.95

To include adapter with bath waste, add "CD" to part number.
Example: 900-FA-PVC-BN-CD

STRAINER BODY MEASURING KIT



11573
6" DIAL CALIPER (4-Way Measure)
48.15



11574
THREAD-GAUGE SET
24.10

11579
Set of both the
#11573 and #11574
72.25

Spec Sheets

Innovator® Testable Cable

Innovator CableFlex® • Innovator Cable®

970/980/990-CA

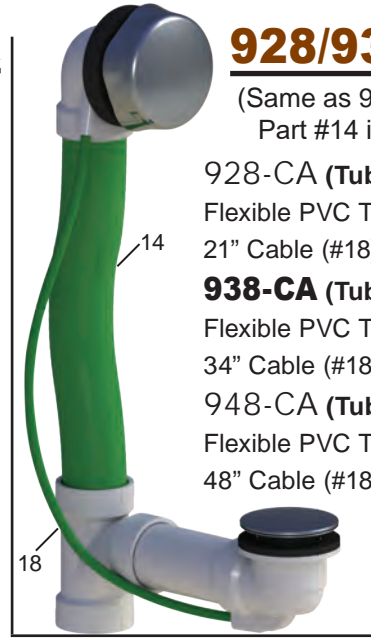
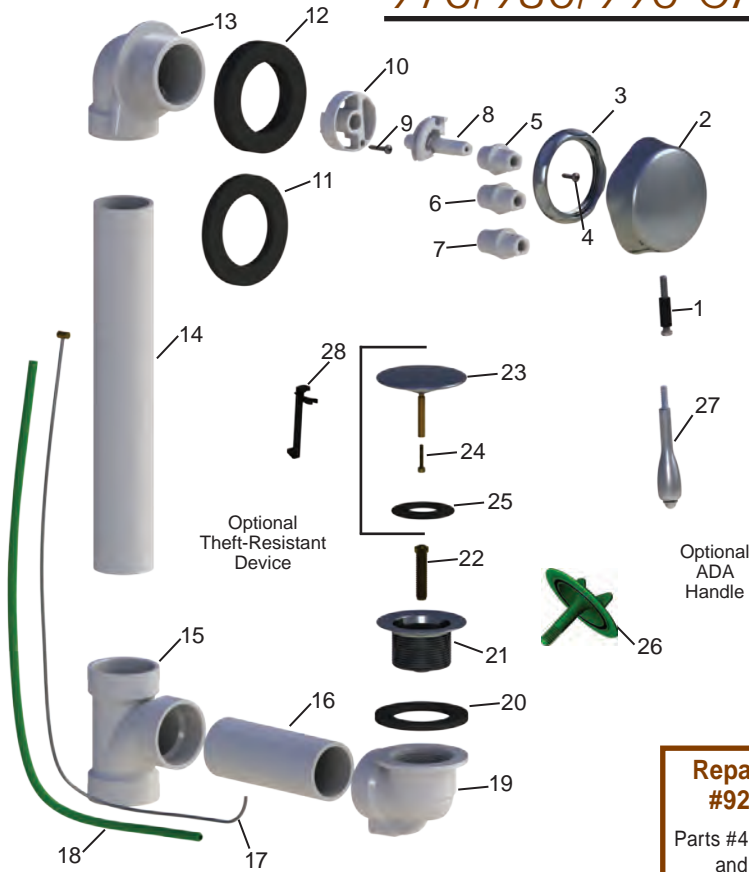
928/938/948-CA

(Same as 970/980/990 except Part #14 is flexible tubing.)

928-CA (Tubs up to 16" deep):
Flexible PVC Tubing: 1.5" x 11.75"
21" Cable (#18)

938-CA (Tubs up to 24" deep):
Flexible PVC Tubing: 1.5" x 20.25"
34" Cable (#18)

948-CA (Tubs up to 36" deep):
Flexible PVC Tubing: 1.5" x 32.0"
48" Cable (#18)



Innovator Cable® Half Kits:

971/981/991-CA

Parts #1 thru #13 and #17 thru #27

Repair Kit #92900

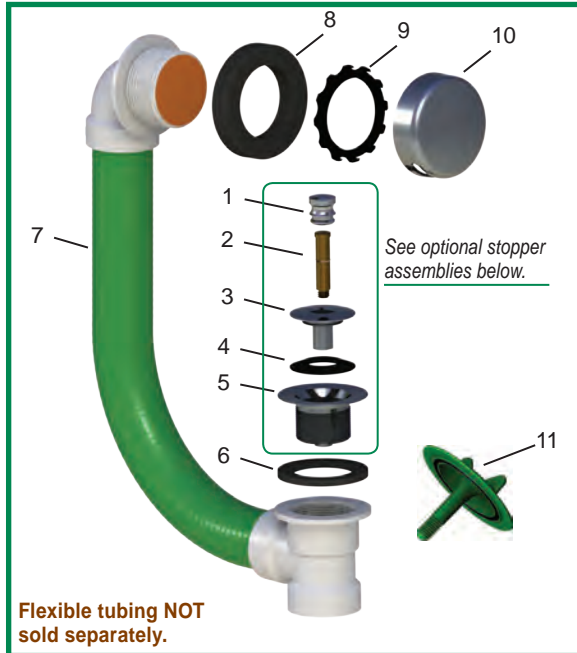
Parts #4 thru #10 and #17

Optional Features:

#27 92874-__*.ADA Handle
#28 01076Theft-Resistant Device

ITEM	PART#	DESCRIPTION	ITEM	PART#	DESCRIPTION	
1.	01032__*	..Cable Faceplate Screw, 1/4-20x1-3/4.....	1.35	15.	140111-1/2" Schedule 40 Sanitary Tee, ABS.....	5.10
		with Screw Guide #01081		14010.....1-1/2" Schedule 40 Sanitary Tee, PVC.....	5.10	
2.	01019__*	..Cable Faceplate.....	8.60	16.	970: SCHABS-4.625.....Sch 40 Pipe, ABS, 1.5" x 4.625"...	2.25
3.	01047__*	...Cable Overflow Elbow Retainer Nut.....	3.45		970: SCHPVC-4.625.....Sch 40 Pipe, PVC, 1.5" x 4.625"...	1.65
4.	01037.....	Cable Adapter/Drive Shaft Screw, #8x5/8.....	0.40		980: SCHABS-11.75.....Sch 40 Pipe, ABS, 1.5" x 11.75".....	5.40
5.	01071.....	Cable Faceplate Adapter - Thin.....	1.70		980: SCHPVC-11.75.....Sch 40 Pipe, PVC, 1.5" x 11.75".....	4.15
6.	01072.....	Cable Faceplate Adapter - Medium.....	1.90		990: SCHABS-11.75.....Sch 40 Pipe, ABS, 1.5" x 11.75".....	5.40
7.	01073.....	Cable Faceplate Adapter - Thick.....	2.15		990: SCHPVC-11.75.....Sch 40 Pipe, PVC, 1.5" x 11.75".....	4.15
8.	20145.....	Cable Drive Shaft.....	1.20	17.	20151-54....Cable Core.....	0.35
9.	01036.....	Cable Retainer/Overflow Ell Screw #8x7/8....	0.55	18.	20161.....Cable Conduit.....	1.50
10.	20146.....	Cable Retainer.....	1.05	19.	110161-1/2" Schedule 40 Cable Drain Elbow, ABS...	9.70
11.	10694.....	Overflow Elbow Gasket Half Height.....	1.70		14016.....1-1/2" Schedule 40 Cable Drain Elbow, PVC...	9.35
12.	10675.....	Overflow Elbow Gasket.....	1.70	20.	10696Drain Elbow Gasket.....	0.95
13.	11029.....	1-1/2" Schedule 40 Cable OF Elbow, ABS....	8.35	21.	01016__* ...Strainer Body, Brass, 1.865" - 11.5x1.25".....	11.50
	14029.....	1-1/2" Schedule 40 Cable OF Elbow, PVC....	8.00	22.	20147.....Cable Core Guide.....	2.45
14.	970: SCHABS-11.75.....	Sch 40 Pipe, ABS, 1.5" x 11.75".....	5.40	23.	92867-__* ..Cable Stopper Assembly – includes:.....	7.60
	970: SCHPVC-11.75.....	Sch 40 Pipe, PVC, 1.5" x 11.75".....	4.15		24. 20069Stopper Adjusting Screw.....	0.55
	980: SCHABS-20.25.....	Sch 40 Pipe, ABS, 1.5" x 20.25"...	9.45		25. 11526.....Cable Stopper Seal, 1-1/16"	0.85
	980: SCHPVC-20.25.....	Sch 40 Pipe, PVC, 1.5" x 20.25"...	7.10	26.	11577Test Plug with O-Ring-Type Gasket.....	2.50
	990: SCHABS-32.00.....	Sch 40 Pipe, ABS, 1.5" x 32.00"...	14.40	OPTIONAL:		
	990: SCHPVC-32.00.....	Sch 40 Pipe, PVC, 1.5" x 32.00"...	11.20	27.	92874-__* ..ADA Handle and Handle Set Screw.....	18.05
* Please indicate desired finish.				28.	01076.....Cable Theft-Resistant Device.....	0.35

WatcoFlex® PP Parts List (Flexible; Coarse Thread)



ITEM	PART#	DESCRIPTION	LIST PRICE
1.	01010CP Knob, Brass	2.45
2.	11510 PP 3/8" Pin (11508) and Friction Ring (11504)	2.50
3.	01013CP Stopper, Brass	11.30
4.	11507 Stopper Seal, 1-1/16" dia.	1.15
5.	01016CP Strainer Body, Brass, 1.865"-11.5 x 1.25".....	11.50
6.	10696 Drain Ell Gasket, 1.90" I.D., 2.75" O.D., gray ..	0.95
7.	Flexible PVC Tubing Factory-Assembled with:		
	11027 Direct Drain Tee, 11.5 tpi, Sch. 40 <u>ABS</u>	4.85
	11020 Innovator® Overflow Elbow, Sch. 40 <u>ABS</u>	4.65
	OR		
	14027 Direct Drain Tee, 11.5 tpi, Sch. 40 <u>PVC</u>	5.10
	14020 Innovator® Overflow Elbow, Sch. 40 <u>PVC</u>	4.65
8.	10675 Overflow Elbow Gasket, 2-1/4 I.D., 3-1/2 O.D., 5/8" Foam.	1.70
9.	11121 Retainer Star Nut	1.70
10.	01005CP Faceplate for Innovator®	3.40
11.	11577 Test Plug with O-Ring-type Gasket.....	2.50

Flex916/924 Innovator® PP Parts List (Flexible; Coarse Thread)



ITEM	PART#	DESCRIPTION	LIST PRICE
1.	01010CP Knob, Brass	2.45
2.	11510 PP 3/8" Pin (11508) and Friction Ring (11504)	2.50
3.	01013CP Stopper, Brass	11.30
4.	11507 Stopper Seal, 1-1/16" dia.	1.15
5.	01016CP Strainer Body, Brass, 1.865"-11.5 x 1.25".....	11.50
6.	10696 Drain Ell Gasket, 1.90" I.D., 2.75" O.D., gray ..	0.95
7.	14008 Drain Elbow, 11.5 tpi, Schedule 40, PVC	4.85
8.	SCHPVC-4.625	...Pipe, Schedule 40 PVC, 1.5" x 4.625".....	1.65
9.	14010 Sanitary Tee, Schedule 40, PVC.....	5.10
10.	(not sold separately).. Flex916: Flexible Tubing, 1.5" x 16.0"..... Flex924: Flexible Tubing, 1.5" x 24.0"		
	#10 FACTORY-WELDED TO #11:		
11.	14020 Innovator® Overflow Ell, Schedule 40, PVC....	4.65
12.	10675 Overflow Elbow Gasket, 2-1/4 I.D., 3-1/2 O.D., 5/8" Foam.	1.70
13.	11121 Retainer Star Nut.....	1.70
14.	01005CP Faceplate for Innovator®	3.40
15.	11577 Test Plug with O-Ring-type Gasket.....	2.50

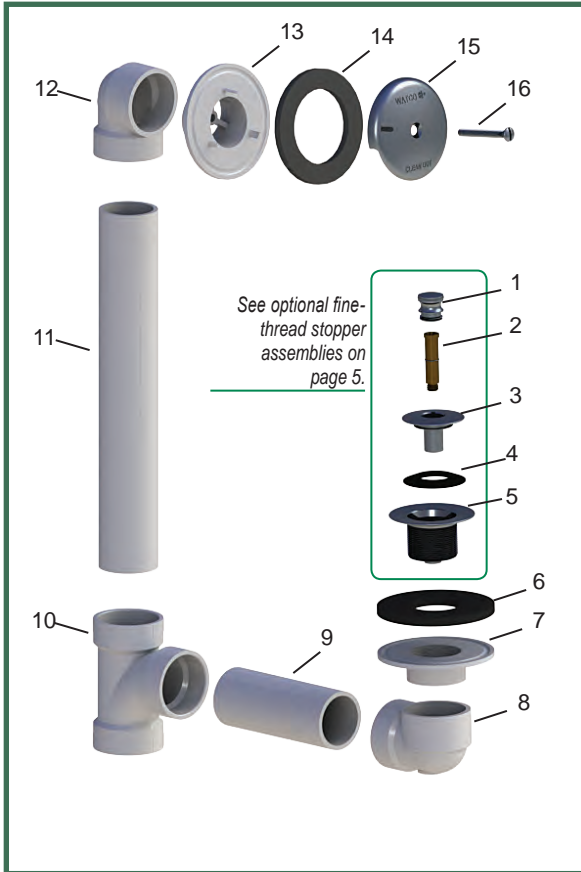
OPTIONAL TUB CLOSURES FOR COARSE-THREAD BATH WASTES (FINE-THREAD ON PAGE 5)

PUSH PULL® Coarse Thread	LIFT & TURN Coarse Thread	PRESFLO® Coarse Thread	FOOTACTUATED Coarse Thread
<ol style="list-style-type: none"> 01010CP 01010__* 11510 01013CP 01013__* 11507 01016CP 01016__* 	<ol style="list-style-type: none"> 01010CP 01010__* 11079 11088 11290CP 01013__* 11507 11492CP 01016__* 	<ol style="list-style-type: none"> 11145CP 11145__* 11132 11060CP 11060__* 96039: Suction Cup for removing stopper 	<ol style="list-style-type: none"> 38412CP 38412__* 11492CP 01016__*

Spec Sheets

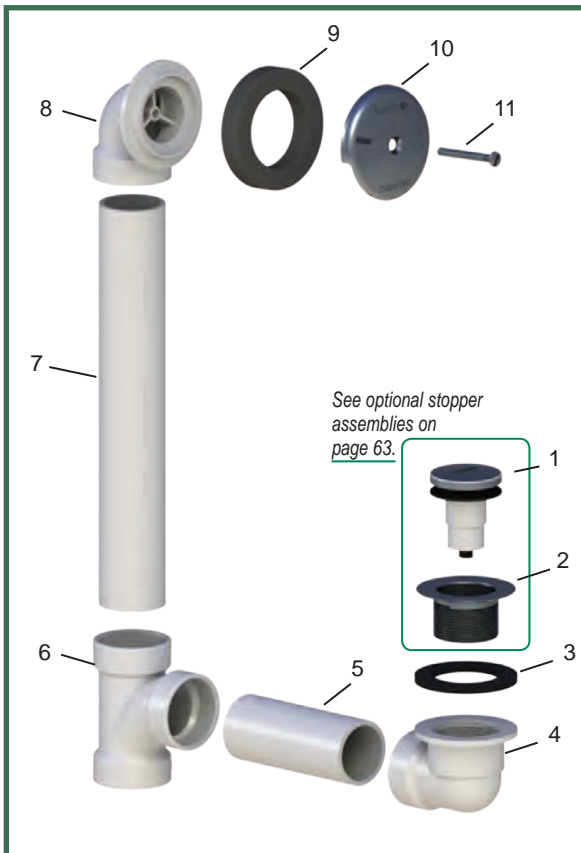
Schedule 40

400-PP Parts List (Schedule 40; Fine Thread)



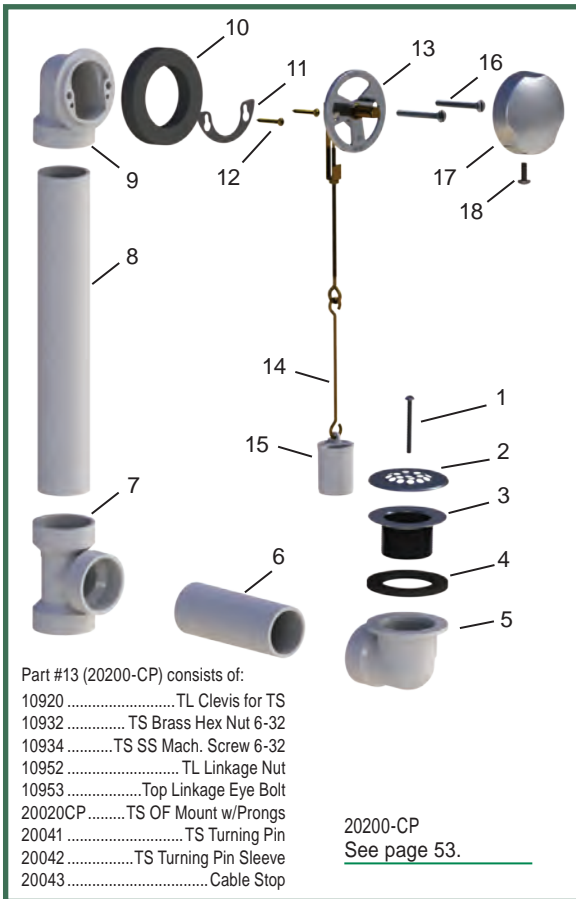
ITEM	PART#	DESCRIPTION	LIST PRICE
1.	01010CP Knob, Brass	2.45
2.	11510 PP 3/8" Pin (11508) and Friction Ring (11504)	2.50
3.	01013CP Stopper, Brass	11.30
4.	11507 Stopper Seal, 1-1/16" dia.	1.15
5.	01022CP Strainer Body, Brass, 1.625" - 16 - 1.25"	10.25
6.	10693 Drain Flange Gasket, Perfect Fit®	1.25
7.	11022 Drain Flange, Perfect Fit®, ABS	4.65
	14022 Drain Flange, Perfect Fit®, PVC	4.90
8.	11023 Drain/Overflow Elbow, Perfect Fit®, ABS	4.65
	14023 Drain/Overflow Elbow, Perfect Fit®, PVC	4.65
9.	SCHABS-4.625	...Pipe, Schedule 40 ABS, 1.5" x 4.625".....	2.25
	SCHPVC-4.625	...Pipe, Schedule 40 PVC, 1.5" x 4.625".....	1.65
10.	14011 Sanitary Tee, Schedule 40 ABS.....	5.10
	14010 Sanitary Tee, Schedule 40 PVC.....	5.10
11.	SCHABS-11.75	...Pipe, Schedule 40 ABS, 1.5" x 11.75"	5.40
	SCHPVC-11.75	...Pipe, Schedule 40 PVC, 1.5" x 11.75"	4.15
12.	11023 Drain/Overflow Elbow, Perfect Fit®, ABS	4.65
	14023 Drain/Overflow Elbow, Perfect Fit®, PVC	4.65
13.	11021 Overflow Flange, Perfect Fit®, ABS.....	4.90
	14021 Overflow Flange, Perfect Fit®, PVC	4.90
14.	10694 Overflow Flange Gasket, Perfect Fit®	1.70
15.	01002CP 1-Hole Faceplate, Metal	4.25
16.	01024CP Faceplate Screw, 2.25"	2.15

600-FA Parts List (Schedule 40; Coarse Thread)



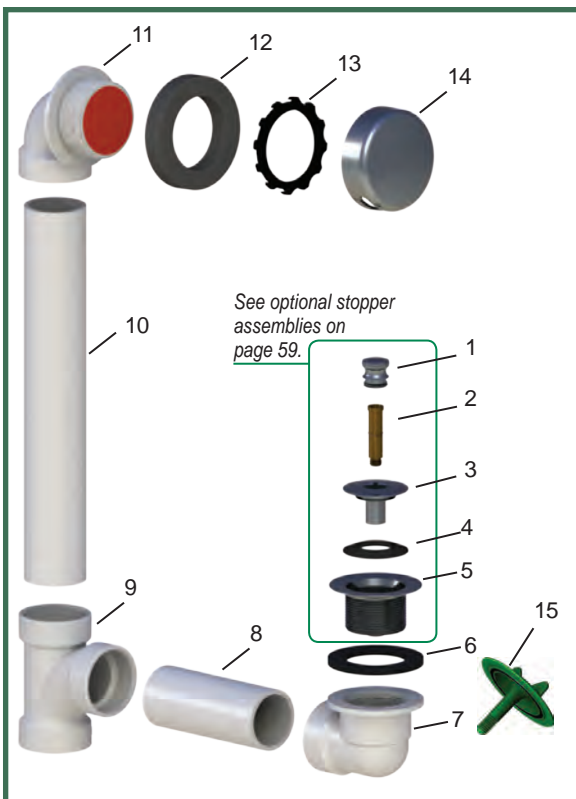
ITEM	PART#	DESCRIPTION	LIST PRICE
1.	38412CP Foot Actuated Stopper, 3/8" pin, ABS plastic..	8.35
2.	11492CP Strainer Body, Zinc, 1.865"-11.5 x 1.25"	7.60
	01016CP Strainer Body, Brass, 1.865"-11.5 x 1.25"	11.50
3.	10696 Drain Ell Gasket, 1.90" I.D., 2.75" O.D., gray ..	0.95
4.	11008 Drain Ell, Schedule 40 ABS.....	4.85
	14008 Drain Elbow, 11.5 tpi, Schedule 40, PVC	4.85
5.	SCHABS-4.625	...Pipe, Schedule 40 ABS, 1.5" x 4.625".....	2.25
	SCHPVC-4.625	...Pipe, Schedule 40 PVC, 1.5" x 4.625".....	1.65
6.	14011 Sanitary Tee, Schedule 40 ABS.....	5.10
	14010 Sanitary Tee, Schedule 40 PVC.....	5.10
7.	SCHABS-11.75	...Pipe, Schedule 40 ABS, 1.5" x 11.75"	5.40
	SCHPVC-11.75	...Pipe, Schedule 40 PVC, 1.5" x 11.75"	4.15
8.	11009 1-Hole Overflow Ell, Schedule 40 ABS.....	4.85
	14009 1-Hole Overflow Ell, Schedule 40 PVC.....	4.85
9.	10675 Overflow Elbow Gasket, 2-1/4 I.D., 3-1/2 O.D., 5/8" Foam.	1.70
10.	01002CP 1-Hole Faceplate, Brass	4.25
11.	01024CP Faceplate Screw, 2.25"	2.15

600-TS Parts List (Schedule 40; Coarse Thread)



ITEM	PART#	DESCRIPTION	LIST PRICE
1.	01040CP Strainer Cover Plate Screw	1.35
2.	01006CP Strainer Cover Plate	3.75
3.	11495CP Strainer Body, Metal, 1.865" - 11.5 - 1.25"	6.25
4.	10696 Drain Ell Gasket, 1.90" I.D., 2.75" O.D., gray ..	0.95
5.	11008 Drain Ell, Schedule 40, ABS.....	4.85
	14008 Drain Elbow, 11.5 tpi, Schedule 40, PVC	4.85
6.	SCHABS-4.625	...Pipe, Schedule 40 ABS, 1.5" x 4.625".....	2.25
	SCHPVC-4.625	...Pipe, Schedule 40 PVC, 1.5" x 4.625".....	1.65
7.	11017 Tee with Seat, Schedule 40 ABS	5.35
	14017 Tee with Seat, Schedule 40 PVC	5.35
8.	SCHABS-12	...Pipe, Schedule 40 ABS, 1.5" x 12.0"	5.40
	SCHPVC-12	...Pipe, Schedule 40 PVC, 1.5" x 12.0"	4.15
9.	10096 2-Hole Overflow Ell, Schedule 40, ABS.....	7.20
	10098 2-Hole Overflow Ell, Schedule 40, PVC.....	7.20
10.	10675 Overflow Elbow Gasket, 2-1/4 I.D., 3-1/2 O.D., 5/8" Foam.	1.70
11.	11531 Retainer Plate for Schedule 40	1.25
12.	11540 Retainer Plate Screw	0.80
13.	20200-CP	... TURNSTYLE® Assembly	17.90
14.	10954 5.25" Double-Loop Wire	1.35
15.	11005 Drop Cylinder, ABS.....	2.75
	14005 Drop Cylinder, PVC.....	2.75
16.	01024CP Overflow Plate Screw, 2.25"	2.15
17.	20030CP Cable Faceplate, Brass	15.35
18.	20140 Cable Faceplate Locking Screw.....	1.90

900-PP Parts List (Schedule 40; Coarse Thread)

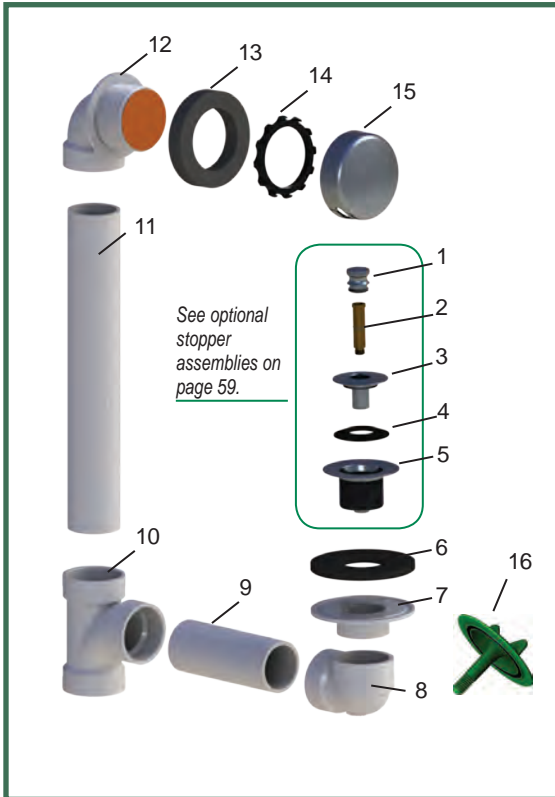


ITEM	PART#	DESCRIPTION	LIST PRICE
1.	01010CP Knob, Brass	2.45
2.	11510 PP 3/8" Pin (11508) and Friction Ring (11504)	2.50
3.	01013CP Stopper, Brass	11.30
4.	11507 Stopper Seal, 1-1/16" dia.....	1.15
5.	01016CP Strainer Body, Brass, 1.865"-11.5 x 1.25".....	11.50
6.	10696 Drain Ell Gasket, 1.90" I.D., 2.75" O.D., gray ..	0.95
7.	11008 Drain Ell, Schedule 40, ABS.....	4.85
	14008 Drain Elbow, 11.5 tpi, Schedule 40, PVC	4.85
8.	SCHABS-4.625	...Pipe, Schedule 40 ABS, 1.5" x 4.625".....	2.25
	SCHPVC-4.625	...Pipe, Schedule 40 PVC, 1.5" x 4.625".....	1.65
9.	14011 Sanitary Tee, Schedule 40 ABS.....	5.10
	14010 Sanitary Tee, Schedule 40 PVC.....	5.10
10.	SCHABS-11.75	...Pipe, Schedule 40 ABS, 1.5" x 11.75"	5.40
	SCHPVC-11.75	...Pipe, Schedule 40 PVC, 1.5" x 11.75"	4.15
11.	11020 Innovator® Overflow Ell, Schedule 40 ABS	4.65
	14020 Innovator® Overflow Ell, Schedule 40 PVC	4.65
12.	10675 Overflow Elbow Gasket, 2-1/4 I.D., 3-1/2 O.D., 5/8" Foam.	1.70
13.	11121 Retainer Star Nut.....	1.70
14.	01005CP Faceplate for Innovator®	3.40
15.	11577 Test Plug w/O-Ring-type Gasket.....	2.50

Spec Sheets

Schedule 40

940-PP Parts List (Schedule 40; Fine Thread)

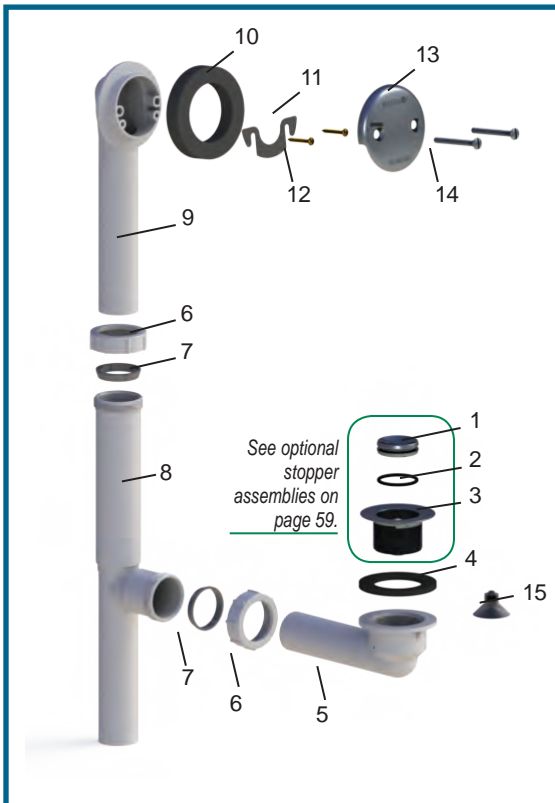


ITEM	PART#	DESCRIPTION	LIST PRICE
1.	01010CP	Knob, Brass	2.45
2.	11510	PP 3/8" Pin (11508) and Friction Ring (11504)	2.50
3.	01013CP	Stopper, Brass	11.30
4.	11507	Stopper Seal, 1-1/16" dia.	1.15
5.	01022CP	Strainer Body, Brass, 1.625" - 16 - 1.25"	10.25
6.	10693	Drain Flange Gasket, Perfect Fit®	1.25
7.	11022	Drain Flange, Perfect Fit®, ABS	4.65
	14022	Drain Flange, Perfect Fit®, PVC	4.90
8.	11023	Drain/Overflow Elbow, Perfect Fit®, ABS	4.65
	14023	Drain/Overflow Elbow, Perfect Fit®, PVC	4.65
9.	SCHABS-4.625	Pipe, Schedule 40 ABS, 1.5" x 4.625"	2.25
	SCHPVC-4.625	Pipe, Schedule 40 PVC, 1.5" x 4.625"	1.65
10.	14011	Sanitary Tee, Schedule 40 ABS	5.10
	14010	Sanitary Tee, Schedule 40 PVC	5.10
11.	SCHABS-11.75	Pipe, Schedule 40 ABS, 1.5" x 11.75"	5.40
	SCHPVC-11.75	Pipe, Schedule 40 PVC, 1.5" x 11.75"	4.15
12.	11020	Innovator® Overflow Ell, Schedule 40 ABS	4.65
	14020	Innovator® Overflow Ell, Schedule 40 PVC	4.65
13.	10675	Overflow Elbow Gasket, 2-1/4 I.D., 3-1/2 O.D., 5/8" Foam.	1.70
14.	11121	Retainer Star Nut	1.70
15.	01005CP	Faceplate for Innovator®	3.40
16.	11577	Test Plug w/O-Ring-type Gasket	2.50

Spec Sheets

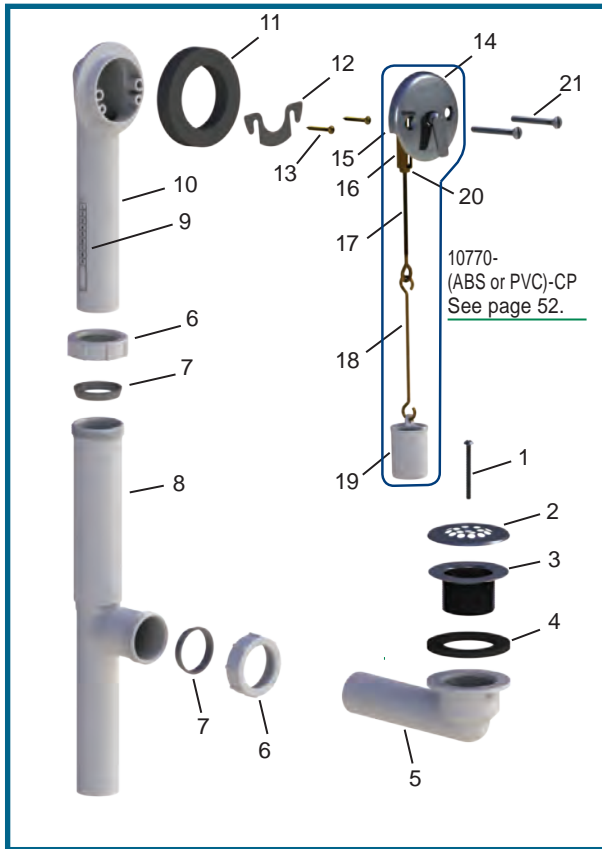
Tubular Plastic

500-PF Parts List (Tubular Plastic; Coarse Thread)



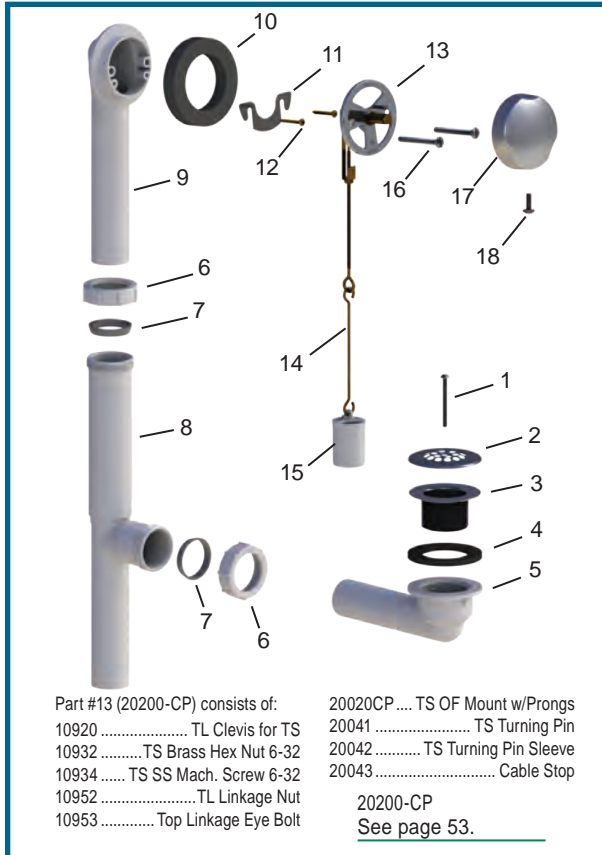
ITEM	PART#	DESCRIPTION	LIST PRICE
1.	11145CP	PF Stopper, Plastic, CT	4.65
2.	11132	O-Ring, PRESFLO® Seal, CT	0.70
3.	11060CP	Strainer Body, Brass, 1.865"-11.5 x 1.25"	13.90
4.	10696	Drain Ell Gasket, 1.90" I.D., 2.75" O.D., gray	0.95
5.	11028	Drain Ell, Coarse-Thread Tubular, ABS	4.00
	14028	Drain Ell, Coarse-Thread Tubular, PVC	4.00
6.	11580	Slip Joint Nut, ABS	0.70
	11581	Slip Joint Nut, PVC	0.70
7.	11583	Slip Joint Polywasher	0.60
8.	11000	Tee, Tubular ABS	5.10
	14000	Tee, Tubular PVC	5.10
9.	11003	Overflow Ell, Tubular ABS	5.30
	14003	Overflow Ell, Tubular PVC	5.30
10.	10675	Overflow Elbow Gasket, 2-1/4 I.D., 3-1/2 O.D., 5/8" Foam.	1.70
11.	11530	Retainer Plate	1.15
12.	11540	Retainer Plate Screw	0.80
13.	01003CP	2-Hole Faceplate, Metal	4.25
14.	01024CP	Faceplate Screw, 2.25"	2.15
15.	96039	Suction Cup for removing stopper	0.70

500-TQ Parts List (Tubular Plastic; Coarse Thread)



ITEM	PART#	DESCRIPTION	LIST PRICE
1.	01040CP Strainer Cover Plate Screw	1.35
2.	01006CP Strainer Cover Plate.....	3.75
3.	11495CP Strainer Body, Zinc, 1.865" - 11.5 - 1.25"	6.25
4.	10696 Drain Ell Gasket, 1.90" I.D., 2.75" O.D., gray ...	0.95
5.	11028 Drain Ell, Coarse-Thread Tubular, ABS.....	4.00
	14028 Drain Ell, Coarse-Thread Tubular, PVC.....	4.00
6.	11580 Slip Joint Nut, ABS	0.70
	11581 Slip Joint Nut, PVC	0.70
7.	11583 Slip Joint Polywasher.....	0.60
8.	11000 Tee, Tubular ABS.....	5.10
	14000 Tee, Tubular PVC.....	5.10
9.	N/A QUICK ADJUST® Label	
10.	11003 Overflow Ell, Tubular ABS	5.30
	14003 Overflow Ell, Tubular PVC	5.30
11.	10675 Overflow Elbow Gasket, 2-1/4 I.D., 3-1/2 O.D., 5/8" Foam..	1.70
12.	11530 Retainer Plate	1.15
13.	11540 Retainer Plate Screw	0.80
14.	10700CP Trip Lever Faceplate Assembly	6.55
15.	10930 Cotter Pin	0.60
16.	10950 Trip Lever QUICK ADJUST® "Q" Clevis	2.05
17.	10953 Top Linkage Eye Bolt.....	1.50
18.	10954 5.25" Double-Loop Wire	1.35
19.	11005 Drop Cylinder, ABS.....	2.75
	14005 Drop Cylinder, PVC.....	2.75
20.	10952 Trip Lever Linkage Nut.....	0.60
21.	01024CP Screw, Overflow Plate, 2.25"	2.15

500-TS Parts List (Tubular Plastic; Coarse Thread)



Part #13 (20200-CP) consists of:
 10920 TL Clevis for TS
 10932 TS Brass Hex Nut 6-32
 10934 TS SS Mach. Screw 6-32
 10952 TL Linkage Nut
 10953 Top Linkage Eye Bolt

20020CP TS OF Mount w/Prongs
 20041 TS Turning Pin
 20042 TS Turning Pin Sleeve
 20043 Cable Stop

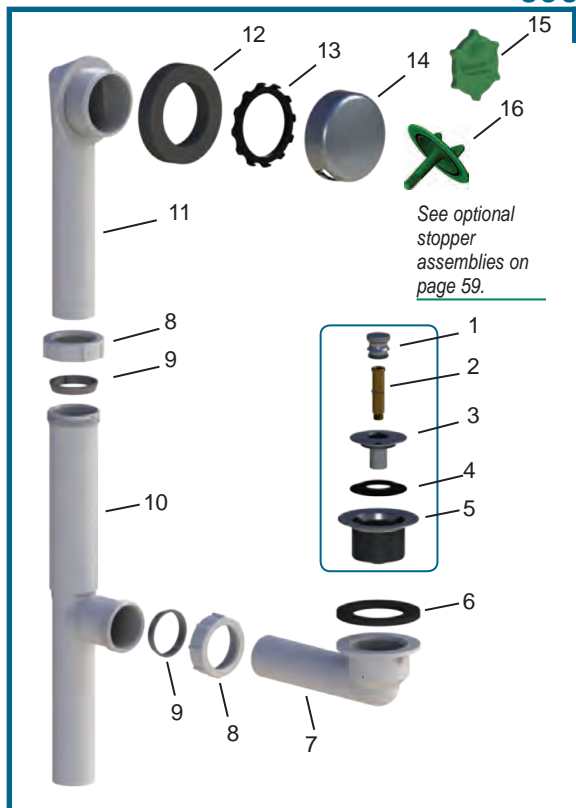
20200-CP
 See page 53.

ITEM	PART#	DESCRIPTION	LIST PRICE
1.	01040CP Strainer Plate Screw	1.35
2.	01006CP Strainer Cover Plate	3.75
3.	11495CP Strainer Body, Zinc, 1.865" - 11.5 - 1.25"	6.25
4.	10696 Drain Ell Gasket, 1.90" I.D., 2.75" O.D., gray ..	0.95
5.	11028 Drain Ell, Coarse-Thread Tubular, ABS.....	4.00
	14028 Drain Ell, Coarse-Thread Tubular, PVC	4.00
6.	11580 Slip Joint Nut, ABS	0.70
	11581 Slip Joint Nut, PVC	0.70
7.	11583 Slip Joint Polywasher	0.60
8.	11000 Tee, Tubular, ABS.....	5.10
	14000 Tee, Tubular, PVC.....	5.10
9.	11003 Overflow Ell, Tubular, ABS	5.30
	14003 Overflow Ell, Tubular, PVC	5.30
10.	10675 Overflow Elbow Gasket, 2-1/4 I.D., 3-1/2 O.D., 5/8" Foam.	1.70
11.	11530 Retainer Plate	1.15
12.	11540 Retainer Plate Screw	0.80
13.	20200-CP	... TURNSTYLE® Assembly	17.90
14.	10954 5.25" Double-Loop Wire	1.35
15.	11005 Drop Cylinder, ABS.....	2.75
	14005 Drop Cylinder, PVC.....	2.75
16.	01024CP Overflow Plate Screw, 2.25"	2.15
17.	20030CP Cable Faceplate, Brass	15.35
18.	20140 Cable Faceplate Locking Screw.....	1.90

Spec Sheets

Tubular Plastic

590-PP Parts List (Tubular Plastic; Coarse Thread)

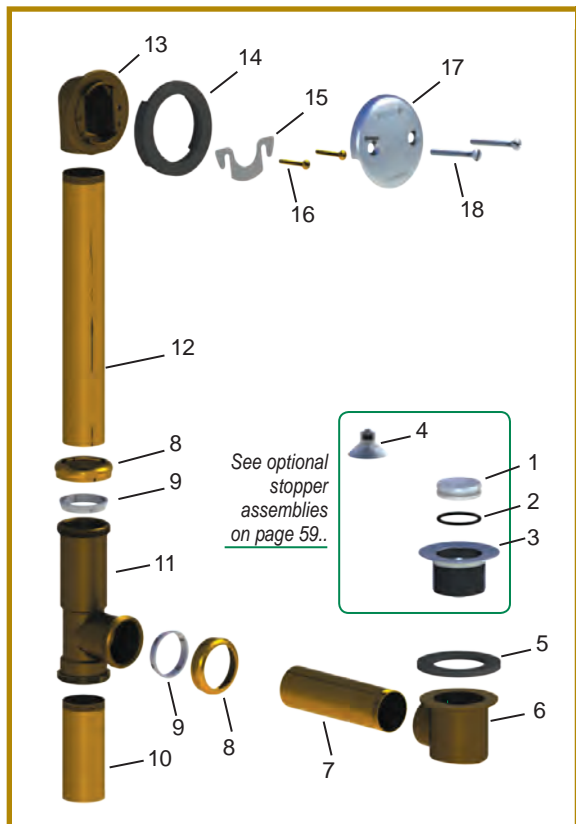


ITEM	PART#	DESCRIPTION	LIST PRICE
1.	01010CPKnob, Brass	2.45
2.	11510 PP 3/8" Pin (11508) and Friction Ring (11504)	2.50
3.	01013CP Stopper, Brass	11.30
4.	11507 Stopper Seal, 1-1/16" dia	1.15
5.	01016CP Strainer Body, Brass, 1.865"-11.5 x 1.25"	11.50
6.	10696 Drain Ell Gasket, 1.90" I.D., 2.75" O.D., gray ..	0.95
7.	11028 Drain Ell, Coarse-Thread Tubular, ABS	4.00
	14028 Drain Ell, Coarse-Thread Tubular, PVC	4.00
8.	11580 Slip Joint Nut, ABS	0.70
	11581 Slip Joint Nut, PVC	0.70
9.	11583 Slip Joint Polywasher	0.60
10.	11000 Tee, Tubular ABS	5.10
	14000 Tee, Tubular PVC	5.10
11.	11019 Innovator® Overflow Ell, Tubular ABS	4.65
	14019 Innovator® Overflow Ell, Tubular PVC	4.90
12.	10694 (2) Overflow Flange Gasket, Foam	ea. 1.70
13.	11121 Retainer Star Nut	1.70
14.	01005CP Innovator® Faceplate	3.40
15.	11114 Innovator® Test Cap	1.30
16.	11577 Test Plug w/O-Ring-type Gasket	2.50

Spec Sheets

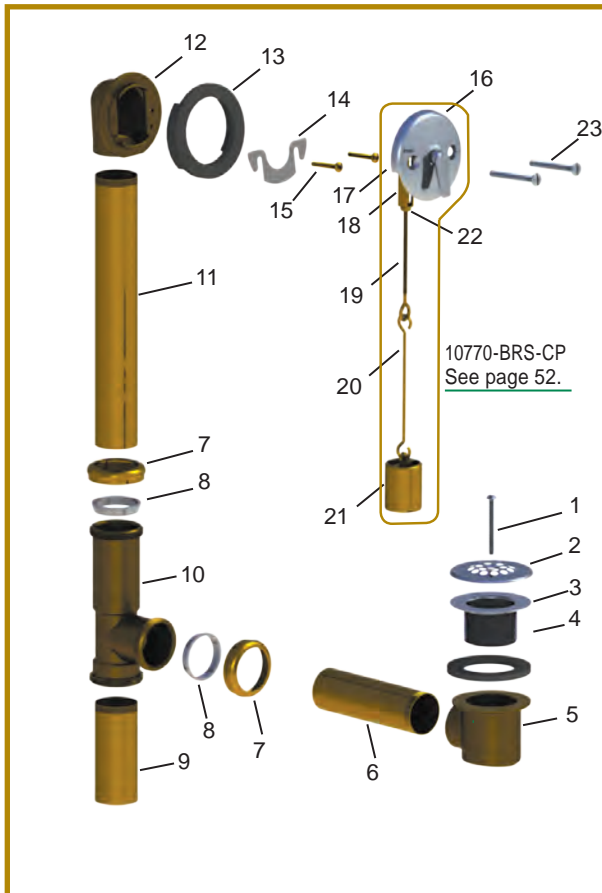
Tubular Brass

501- & 502-PF Parts List (Brass; Coarse Thread)



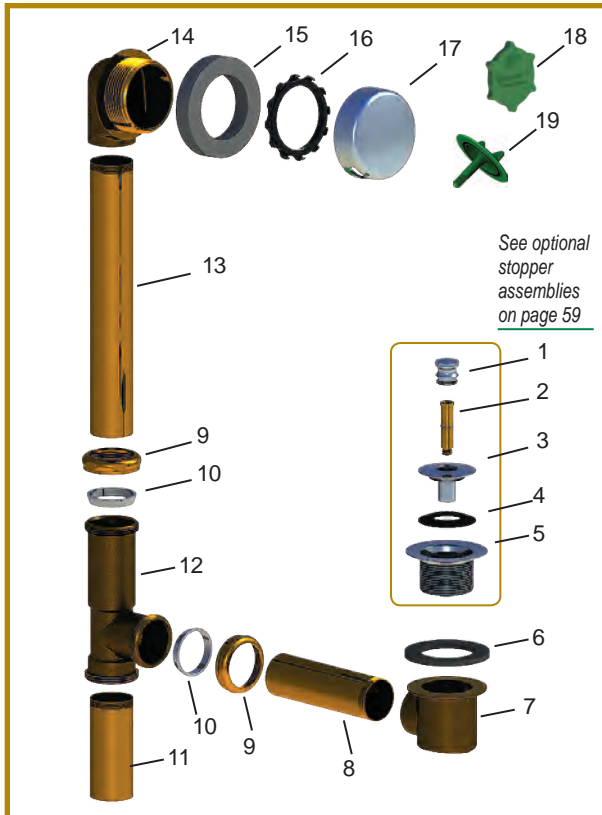
ITEM	PART#	DESCRIPTION	LIST PRICE
1.	11145CP PRESFLO® Stopper, Plastic, 1.5", for CT	4.65
2.	11132 PRESFLO® Seal, for CT	0.70
3.	11060CP Strainer Body, Brass 1.865" - 11.5 - 1.25"	13.90
4.	96039 Suction Cup for removing PRESFLO® stopper	0.70
5.	10696 Drain Ell Gasket, 1.90" I.D., 2.75" O.D., gray ..	0.95
6.	44006 Drain Ell, Brass, 1.865" - 11.5	12.10
7.	17GA-4.75	.. Drain Ell Tube, Brass (17 Gauge), 4.75"	8.35
	20GA-4.75	.. Drain Ell Tube, Brass (20 Gauge), 4.75"	7.85
8.	41580 Brass Slip Nut	2.30
9.	11583 Slip Joint Polywasher	0.60
10.	17GA-3.5 Tail Piece (17 Gauge), 3.5"	6.15
	20GA-3.5 Tail Piece (20 Gauge), 3.5"	5.80
11.	44001 Brass Tee	20.90
12.	17GA-9.625 Overflow Ell Tube (17 Gauge), 9.625"	16.85
	20GA-9.625 Overflow Ell Tube (20 Gauge), 9.625"	15.90
13.	44003 Brass Overflow Ell	10.05
14.	40675 Overflow Ell Washer for Brass	1.80
15.	11530 Retainer Plate	1.15
16.	41540 Brass Screw for Brass Retainer Plate	0.60
17.	01003CP 2-Hole Faceplate, Metal	4.25
18.	01024CP Faceplate Screw	2.15

501- & 502-TQ & Trip Lever Parts List (Brass; Coarse Thread)



ITEM	PART#	DESCRIPTION	LIST PRICE
1.	01040CPStrainer Cover Plate Screw	1.35
2.	01006CPStrainer Cover Plate.....	3.75
3.	11495CPStrainer Body, Zinc, 1.625" - 11.5 - 1.25".....	6.25
4.	10696Drain Ell Gasket, 1.90" I.D., 2.75" O.D., gray..	0.95
5.	44006Brass Drain Ell, 1.865" - 11.5.....	12.10
6.	17GA-4.75	..Drain Ell Tube, Brass (17 Gauge), 4.75".....	8.35
	20GA-4.75	..Drain Ell Tube, Brass (20 Gauge), 4.75".....	7.85
7.	41580Brass Slip Nut.....	2.30
8.	11583Slip Joint Polywasher.....	0.60
9.	17GA-3.5Tail Piece (17 Gauge), 3.5".....	6.15
	20GA-3.5Tail Piece (20 Gauge), 3.5".....	5.80
10.	44001Brass Tee.....	20.90
11.	17GA-9.625	.Overflow Ell Tube (17 Gauge), 9.625".....	16.85
	20GA-9.625	.Overflow Ell Tube (20 Gauge), 9.625".....	15.90
12.	44003Overflow Ell, Brass.....	10.05
13.	40675Overflow Ell Washer for Brass.....	1.80
14.	11530Retainer Plate.....	1.15
15.	41540Brass Screw for Brass Retainer Plate.....	0.60
16.	10700CPTL Faceplate Assembly.....	6.55
17.	10930Cotter Pin (Not shown-behind face plate).....	0.60
18.	10950Quick Adjust "Q" Clevis.....	2.05
19.	10953Top Linkage Eye Bolt.....	1.50
20.	109545.25" Double-Loop Wire.....	1.35
21.	41005Brass Drop Cylinder for Brass.....	7.20
22.	10952TL Linkage Nut.....	0.60
23.	01024CPScrew, Overflow Plate, 2.25".....	2.15

591-PP Parts List (Brass; Coarse Thread)



ITEM	PART#	DESCRIPTION	LIST PRICE
1.	01010CPKnob, Brass.....	2.45
2.	11510PP 3/8" Pin (11508) and Friction Ring (11504).....	2.50
3.	01013CPStopper, Brass.....	11.30
4.	11507Stopper Seal, 1-1/16" dia.....	1.15
5.	01016CPStrainer Body, Brass, 1.865"-11.5 x 1.25".....	11.50
6.	10696Drain Ell Gasket, 1.90" I.D., 2.75" O.D., gray..	0.95
7.	44006Drain Ell, Brass.....	12.10
8.	17GA-4.75	..Drain Ell Tube, Brass (17 Gauge), 4.75".....	8.35
	20GA-4.75	..Drain Ell Tube, Brass (20 Gauge), 4.75".....	7.85
9.	41580Brass Slip Nut.....	2.30
10.	11583Slip Joint Polywasher.....	0.60
11.	17GA-3.5Tail Piece (17 Gauge), 3.5".....	6.15
	20GA-3.5Tail Piece (20 Gauge), 3.5".....	5.80
12.	44001Brass Tee.....	20.90
13.	17GA-9.625	Overflow Ell Tube (17 Gauge), 9.625".....	16.85
	20GA-9.625	Overflow Ell Tube (20 Gauge), 9.625".....	15.90
14.	44005Overflow Ell, Brass for Innovator®.....	19.95
15.	10675Overflow Elbow Gasket, 2-1/4 I.D., 3-1/2 O.D., 5/8" Foam.....	1.70
16.	11121Retainer Star Nut.....	1.70
17.	01005CPInnovator® Faceplate.....	3.40
18.	11114Innovator® Overflow Ell Test Cap.....	1.30
19.	11577Test Plug with O-Ring-type Gasket.....	2.50

Parts

List Prices, Numerical

01001BN	Innovator® W-Overflow Plate - Brushed Nickel	63.15	01010PN	PUSH PULL® Knob - Brass - Pearl Nickel	8.20	01024AP	Overflow Plate Screw-Brass-2.25"-Aged Pewter	6.20
01001BZ	Innovator® W-Overflow Plate - Brushed Chrome	63.15	01010PV	PUSH PULL® Knob - Brass - Polished Brass	6.75	01024BB	Overflow Plate Screw-Brass-2.25"-Brushed Bronze	16.50
01001CB	Innovator® W-Overflow Plate - Oil Rubbed Bronze	63.15	01010WH	PUSH PULL® Knob - Brass - White	7.10	01024BN	Overflow Plate Screw-Brass-2.25"-Brushed Nickel	3.35
01001CP	Innovator® W-Overflow Plate - Chrome Plated	52.80	01010WI	PUSH PULL® Knob - Brass - Wrought Iron	9.75	01024BO	Overflow Plate Screw-Brass-2.25"-Bone	3.05
01001NP	Innovator® W-Overflow Plate - Nickel Polished	63.15	01013AB	PUSH PULL® Brass Stopper - Antique Brass	Disc.	01024BS	Overflow Plate Screw-Brass-2.25"-Biscuit	3.05
01001PN	Innovator® W-Overflow Plate - Polished Brass	66.35	01013AP	PUSH PULL® Brass Stopper - Aged Pewter	17.35	01024BZ	Overflow Plate Screw-Brass-2.25"-BZ	3.35
01001PV	Innovator® W-Overflow Plate - Pearl Nickel	63.15	01013BB	PUSH PULL® Brass Stopper - Brushed Bronze	33.00	01024CB	Overflow Plate Screw-Brass-2.25"-Chrome Brushed	3.55
01001WI	Innovator® Overflow Plate - Wrought Iron	Disc.	01013BN	PUSH PULL® Brass Stopper - Brushed Nickel	15.90	01024CP	Overflow Plate Screw-Brass-2.25"-Chrome	2.15
01002AB	1-Hole Overflow Plate, Metal - Antique Brass	21.05	01013BO	PUSH PULL® Brass Stopper - Bone	15.45	01024NP	Overflow Plate Screw-Brass-2.25"-Nickel Polished	3.05
01002AP	1-Hole Overflow Plate, Metal - Aged Pewter	26.30	01013BS	PUSH PULL® Brass Stopper - Biscuit	15.45	01024PN	Overflow Plate Screw-Brass-2.25"-Pearl Nickel	3.55
01002BB	1-Hole Overflow Plate, Metal - Brushed Bronze	58.10	01013BZ	PUSH PULL® Brass Stopper - Oil-Rubbed Bronze	15.90	01024PV	Overflow Plate Screw-Brass-2.25"-Polished Brass	3.35
01002BN	1-Hole Overflow Plate, Metal - Brushed Nickel	20.05	01013CB	PUSH PULL® Brass Stopper - Chrome Brushed	16.70	01024WH	Overflow Plate Screw-Brass-2.25"-White	3.20
01002BO	1-Hole Overflow Plate, Metal - Bone	14.35	01013CP	PUSH PULL® Brass Stopper - Chrome	11.30	01024WI	Overflow Plate Screw-Brass-2.25"-Wrought Iron	6.20
01002BS	1-Hole Overflow Plate, Metal - Biscuit	14.35	01013NP	PUSH PULL® Brass Stopper - Polished Nickel	16.25	01026	Thumb Screw - 1/4x20 x 1.5"	0.70
01002BZ	1-Hole Overflow Plate, Metal - Oil Rubbed Bronze	20.05	01013PV	PUSH PULL® Brass Stopper - Polished Brass	15.45	01030BN	Overflow Plate Screw - 3-In - Brass - BN	4.80
01002CB	1-Hole Overflow Plate, Metal - Chrome Brushed	20.05	01013WH	PUSH PULL® Brass Stopper - White	15.45	01030BZ	Overflow Plate Screw - 3-In - Brass - BZ	4.80
01002CP	1-Hole Overflow Plate, Metal - Chrome Plated	4.25	01013WI	PUSH PULL® Brass Stopper - Wrought Iron	17.50	01030CP	Overflow Plate Screw - 3-In - Brass - CP	2.75
01002NP	1-Hole Overflow Plate, Metal - Nickel Polished, PVD	14.35	01016AB	PP & LT Brass Strainer Body 1.865-11.5-1.25-AB	22.25	01031BN	Overflow Plate Screw - 4-In - Brass - BN	5.65
01002PN	1-Hole Overflow Plate, Metal - Pearl Nickel, PVD	21.05	01016AP	PP & LT Brass Strainer Body 1.865-11.5-1.25-AP	26.70	01031BZ	Overflow Plate Screw - 4-In - Brass - BZ	5.65
01002PV	1-Hole Overflow Plate, Metal - Polished Brass, PVD	14.35	01016BB	PP & LT Brass Strainer Body 1.865-11.5-1.25-BB	62.35	01031CP	Overflow Plate Screw - 4-In - Brass - CP	3.90
01002WH	1-Hole Overflow Plate, Metal - White	14.35	01016BO	PP & LT Brass Strainer Body 1.865-11.5-1.25-BN	19.05	01032AP	Cable Faceplate-to-Adapter Screw-1/4-20x1 3/4"-AP	3.30
01002WI	1-Hole Overflow Plate, Metal - Wrought Iron	26.30	01016BN	PP & LT Brass Strainer Body 1.865-11.5-1.25-BO	17.95	01032BB	Cable Faceplate-to-Adapter Screw-1/4-20x1 3/4"-BB	3.30
01003AB	2-Hole Overflow Plate, Metal - Antique Brass	21.05	01016BS	PP & LT Brass Strainer Body 1.865-11.5-1.25-BS	18.55	01032BN	Cable Faceplate-to-Adapter Screw-1/4-20x1 3/4"-BN	4.75
01003AP	2-Hole Overflow Plate, Metal - Aged Pewter	26.30	01016BZ	PP & LT Brass Strainer Body 1.865-11.5-1.25-BZ	21.15	01032BS	Cable Faceplate-to-Adapter Screw-1/4-20x1 3/4"-BS	14.38
01003BB	2-Hole Overflow Plate, Metal - Brushed Bronze	61.00	01016CB	PP & LT Brass Strainer Body 1.865-11.5-1.25-CB	22.25	01032BZ	Cable Faceplate-to-Adapter Screw-1/4-20x1 3/4"-BZ	4.75
01003BN	2-Hole Overflow Plate, Metal - Brushed Nickel	20.05	01016CP	PP & LT Brass Strainer Body 1.865-11.5-1.25-CP	11.50	01032CB	Cable Faceplate-to-Adapter Screw-1/4-20x1 3/4"-CB	4.75
01003BO	2-Hole Overflow Plate, Metal - Bone	14.35	01016NP	PP & LT Brass Strainer Body 1.865-11.5-1.25-NP	17.95	01032CP	Cable Faceplate-to-Adapter Screw-1/4-20x1 3/4"-CP	1.35
01003BS	2-Hole Overflow Plate, Metal - Biscuit	14.35	01016PN	PP & LT Brass Strainer Body 1.865-11.5-1.25-PN	22.25	01032NP	Cable Faceplate-to-Adapter Screw-1/4-20x1 3/4"-NP	4.75
01003BZ	2-Hole Overflow Plate, Metal - Oil Rubbed Bronze	20.05	01016PV	PP & LT Brass Strainer Body 1.865-11.5-1.25-PV	17.95	01032PV	Cable Faceplate-to-Adapter Screw-1/4-20x1 3/4"-PB	6.35
01003CB	2-Hole Overflow Plate, Metal - Chrome Brushed	20.05	01016WH	PP & LT Brass Strainer Body 1.865-11.5-1.25-WH	18.55	01032WH	Cable Faceplate-to-Adapter Screw-1/4-20x1 3/4"-WH	4.75
01003CP	2-Hole Overflow Plate, Metal - Chrome Plated	4.25	01016WI	PP & LT Brass Strainer Body 1.865-11.5-1.25-WI	26.70	01033AB	PP-LT Bushing Body 1.375- in.x16 - 1.5" - AB	24.40
01003NP	2-Hole Overflow Plate, Metal - Nickel Polished	14.35	01017AB	PP only: Econ. Strainer Body 1.625-16 - 1 - AB	20.55	01033BN	PP-LT Bushing Body 1.375- in.x16 - 1.5" - BO	25.65
01003PN	2-Hole Overflow Plate, Metal - Pearl Nickel	21.05	01017BO	PP only: Econ. Strainer Body 1.625-16 - 1 - BO	16.35	01033BO	PP-LT Bushing Body 1.375- in.x16 - 1.5" - BN	18.90
01003PV	2-Hole Overflow Plate, Metal - Polished Brass	14.35	01017CP	PP only: Econ. Strainer Body 1.625-16 - 1 - CP	10.40	01033BZ	PP-LT Bushing Body 1.375- in.x16 - 1.5" - BZ	25.65
01003WH	2-Hole Overflow Plate, Metal - WH	14.35	01017PV	PP only: Econ. Strainer Body 1.625-16 - 1 - PV	19.55	01033CB	PP-LT Bushing Body 1.375- in.x16 - 1.5" - CB	25.65
01003WI	2-Hole Overflow Plate, Metal - Wrought Iron	26.30	01017WH	PP only: Econ. Strainer Body 1.625-16 - 1 - WH	16.35	01033CP	PP-LT Bushing Body 1.375- in.x16 - 1.5" - CP	11.70
01004AP	Innovator® Overflow Plate - Aged Pewter	23.85	01018AB	PP & LT Strainer Body 1.625-14 x 1.25 - AB	21.15	01033PN	PP-LT Bushing Body 1.375- in.x16 - 1.5" - PN	25.65
01004BB	Innovator® Overflow Plate - Brushed Bronze	58.55	01018BN	PP & LT Strainer Body 1.625-14 x 1.25 - BN	22.25	01033PV	PP-LT Bushing Body 1.375- in.x16 - 1.5" - PB	18.80
01004BN	Innovator® Overflow Plate - Brushed Nickel	19.15	01018BO	PP & LT Strainer Body 1.625-14 x 1.25 - BO	17.95	01033WH	PP-LT Bushing Body 1.375"x16 - 1.5" - WH	18.00
01004BO	Innovator® Overflow Plate - Bone	12.15	01018BZ	PP & LT Strainer Body 1.625-14 x 1.25 - BZ	22.25	01036	Cable Retainer-to Overflow Screw #8x7/8	0.55
01004BS	Innovator® Overflow Plate - Biscuit	12.15	01018CB	PP & LT Strainer Body 1.625-14 x 1.25 - CB	17.95	01037	Cable Adapter-to-Drive Shaft Screw #8x5/8	0.40
01004BZ	Innovator® Overflow Plate - Oil Rubbed Bronze	18.15	01018CP	PP & LT Strainer Body 1.625-14 x 1.25 - CP	10.80	01040BN	Strainer Cover Plate Screw, 2 x 10/24 - BN	5.20
01004CB	Innovator® Overflow Plate - Chrome Brushed	18.15	01018PV	PP & LT Strainer Body 1.625-14 x 1.25 - PV	21.15	01040BO	Strainer Cover Plate Screw, 2 x 10/24 - Bone	3.55
01004CP	Innovator® Overflow Plate - Chrome	4.40	01018WH	PP & LT Strainer Body 1.625-14 x 1.25 - WH	17.95	01040BS	Strainer Cover Plate Screw, 2 x 10/24 - BS	3.55
01004NP	Innovator® Overflow Plate - Nickel Polished	13.15	01019AP	Innovator® Cable Overflow Plate - AP	49.45	01040BZ	Strainer Cover Plate Screw, 2 x 10/24 - BZ	5.50
01004PN	Innovator® Overflow Plate - Pearl Nickel	19.15	01019BB	Innovator® Cable Overflow Plate - BB	65.55	01040CB	Strainer Cover Plate Screw, 2 x 10/24 - CB	5.50
01004PV	Innovator® Overflow Plate - Polished Brass	13.15	01019BN	Innovator® Cable Overflow Plate - BN	15.45	01040CP	Strainer Cover Plate Screw, 2 x 10/24 - Chrome	1.35
01004WH	Innovator® Overflow Plate - White	13.15	01019BS	Innovator® Cable Overflow Plate - BS	14.70	01040NP	Strainer Cover Plate Screw, 2 x 10/24 - NP	5.20
01004WI	Innovator® Overflow Plate - Wrought Iron	24.85	01019BZ	Innovator® Cable Overflow Plate - BZ	15.45	01040PN	Strainer Cover Plate Screw, 2 x 10/24 - PN	5.50
01006BN	Dome Strainer Cover Plate - Brushed Nickel	12.15	01019CB	Innovator® Cable Overflow Plate - CB	15.45	01040PV	Strainer Cover Plate Screw, 2 x 10/24 - PB	5.20
01006BO	Dome Strainer Cover Plate - Bone	10.65	01019CP	Innovator® Cable Overflow Plate - CP	8.60	01040WH	Strainer Cover Plate Screw, 2 x 10/24 - WH	3.55
01006BS	Dome Strainer Cover Plate - Biscuit	10.65	01019NP	Innovator® Cable Overflow Plate - NP	15.45	01040WI	Strainer Cover Plate Screw, 2 x 10/24 - WI	6.30
01006BZ	Dome Strainer Cover Plate - Oil Rubbed Bronze	12.15	01019PV	Innovator® Cable Overflow Plate - PV	15.45	01042AP	PRESFLO® NuFit® Strainer Body-Aged Pewter	42.50
01006CB	Dome Strainer Cover Plate - Chrome Brushed	12.80	01019WH	Innovator® Cable Overflow Plate - WH	14.05	01042BN	PRESFLO® NuFit® Strainer Body-Brushed Nickel	22.90
01006CP	Dome Strainer Cover Plate - Chrome Plated	3.75	01022AP	PP & LT Strainer Body 1.625"-16 x 1.25 - AP	26.70	01042BZ	PRESFLO® NuFit® Strainer Body-BZ	24.05
01006NP	Dome Strainer Cover Plate - Nickel Polished	10.65	01022BB	PP & LT Strainer Body 1.625"-16 x 1.25 - BB	62.35	01042CB	PRESFLO® NuFit® Strainer Body-Chrome Brushed	24.05
01006PV	Dome Strainer Cover Plate - Polished Brass	10.65	01022BN	PP & LT Strainer Body 1.625"-16 x 1.25 - BN	21.15	01042CP	PRESFLO® NuFit® Strainer Body-Chrome	10.90
01006WH	Dome Strainer Cover Plate - White	10.65	01022BO	PP & LT Strainer Body 1.625"-16 x 1.25 - BO	17.95	01042PN	PRESFLO® NuFit® Strainer Body-Pearl Nickel	24.05
01006WI	Dome Strainer Cover Plate - Wrought Iron	12.15	01022BS	PP & LT Strainer Body 1.625"-16 x 1.25 - BS	17.95	01042PV	PRESFLO® NuFit® Strainer Body-Polished Brass	22.90
01010AP	PUSH PULL® Knob - Brass - Aged Pewter	10.10	01022BZ	PP & LT Strainer Body 1.625"-16 x 1.25 - BZ	21.15	01042WI	PRESFLO® NuFit® Strainer Body-Wrought Iron	42.70
01010BB	PUSH PULL® Knob - Brass - Brushed Bronze	20.45	01022CB	PP & LT Strainer Body 1.625"-16 x 1.25 - CB	22.25	01043CP	NuFit® PUSH PULL® Strainer Body-Chrome	10.90
01010BN	PUSH PULL® Knob - Brass - Brushed Nickel	7.80	01022CP	PP & LT Strainer Body 1.625"-16 x 1.25 - CP	10.25	01044CP	NuFit® Lift and Turn Strainer Body-Chrome	9.10
01010BO	PUSH PULL® Knob - Brass - Bone	7.10	01022NP	PP & LT Strainer Body 1.625"-16 x 1.25 - NP	17.95	01046CP	NuFit® Lift and Turn Short Stopper - CP	12.20
01010BS	PUSH PULL® Knob - Brass - Biscuit	7.10	01022PN	PP & LT Strainer Body 1.625"-16 x 1.25 - PN	22.25	01047AP	Cable OE Retainer Nut - Aged Pewter	25.65
01010BZ	PUSH PULL® Knob - Brass - Oil Rubbed Bronze	7.80	01022PV	PP & LT Strainer Body 1.625"-16 x 1.25 - PV	17.95	01047BB	Cable OE Retainer Nut - Brushed Bronze	46.90
01010CB	PUSH PULL® Knob - Brass - Chrome Brushed	8.20	01022WH	PP & LT Strainer Body 1.625"-16 x 1.25 - WH	17.95	01047BN	Cable OE Retainer Nut - Brushed Nickel	8.75
01010CP	PUSH PULL® Knob - Brass - Chrome Plated	2.45	01022WI	PP & LT Strainer Body 1.625"-16 x 1.25 - WI	26.70	01047BS	Cable OE Retainer Nut - Biscuit	6.25
01010NP	PUSH PULL® Knob - Brass - Nickel Polished	6.75	01024AB	Overflow Plate Screw-Brass-2.25"-Antique Brass	3.55	01047BZ	Cable OE Retainer Nut - BZ	8.75

Parts

List Prices, Numerical (Cont.)

Parts: Listed by Number

01047CB	Cable OE Retainer Nut - CB	18.40	10700CB	TRIP LEVER Overflow Plate Assembly - CB	30.60	11060BN	PRESFLO® Strainer Body 1.5" - 11.5 - BN	26.05
01047CP	Cable OE Retainer Nut - CP	3.45	10700NP	TRIP LEVER Overflow Plate Assembly - NP	24.90	11060BZ	PRESFLO® Strainer Body 1.5" - 11.5 - BZ	27.35
01047NP	Cable OE Retainer Nut - NP	19.15	10700PV	TRIP LEVER Overflow Plate Assembly - PB	24.90	11060CB	PRESFLO® Strainer Body 1.5" - 11.5 - CB	27.35
01047PV	Cable OE Retainer Nut - PB	19.15	10700WH	TRIP LEVER Overflow Plate Assembly - White	21.05	11060CP	PRESFLO® Strainer Body 1.5" x 11.5 - Chrome	13.90
01047WH	Cable OE Retainer Nut - WH	6.25	10700WI	TRIP LEVER Overflow Plate Assembly - WI	30.60	11060NP	PRESFLO® Strainer Body 1.5" - 11.5 - NP	26.05
01050AP	QuickTrim® Strainer Body Cover for CT - AP	30.30	10910	Brass Drop Cylinder for plastic	18.95	11060PN	PRESFLO® Strainer Body 1.5" - 11.5 - PN	27.35
01050BB	QuickTrim® Strainer Body Cover for CT - BB	59.90	10920	Trip Lever Clevis for TURNSTYLE®	1.85	11060PV	PRESFLO® Strainer Body 1.5" - 11.5 - PV	26.05
01050BN	QuickTrim® Strainer Body Cover for CT - BN	12.65	10930	TRIP LEVER Cotter Pin	0.60	11060WI	PRESFLO® Strainer Body 1.5" - 11.5 - WI	38.85
01050BS	QuickTrim® Strainer Body Cover for CT - BS	10.95	10950	Trip Lever QUICK ADJUST® Clevis	2.05	11070AP	PRESFLO® Strainer Body 1.625"-16 - AP	36.60
01050BZ	QuickTrim® Strainer Body Cover for CT - BZ	12.65	10952	TRIP LEVER Linkage Nut	0.60	11070BB	PRESFLO® Strainer Body 1.625"-16 - BB	65.20
01050CB	QuickTrim® Strainer Body Cover for CT - CB	12.65	10953	TRIP LEVER Top-Linkage Eye Bolt	1.50	11070BN	PRESFLO® Strainer Body 1.625"-16 - BN	27.20
01050HP	QuickTrim® Strainer Body Cover for CT - HP	6.85	10954	5.25" Double-Loop Wire	1.35	11070BZ	PRESFLO® Strainer Body 1.625"-16 - BZ	27.20
01050NP	QuickTrim® Strainer Body Cover for CT - NP	13.30	10960	SLIP LOCK® Clevis with Release Button	6.35	11070CB	PRESFLO® Strainer Body 1.625"-16 - CB	25.90
01050PV	QuickTrim® Strainer Body Cover for CT - PB	12.65	10963	SLIP LOCK® Single-Loop Wire	0.95	11070CP	PRESFLO® Strainer Body - 1.625"-16 - Chrome	14.60
01050WH	QuickTrim® Strainer Body Cover for CT - WH	10.40	11000	Tubular Tee, ABS	5.10	11070NP	PRESFLO® Strainer Body 1.625"-16 - NP	25.90
01050WI	QuickTrim® Strainer Body Cover for CT - WI	30.30	11001	Removable Tailpiece, Tee ABS	7.00	11070PN	PRESFLO® Strainer Body 1.625"-16 - PN	27.20
01052BB	Universal NuFit® Grid Body - Brushed Bronze	34.80	11003	Tubular Overflow Ell, ABS	5.30	11070PV	PRESFLO® Strainer Body 1.625"-16 - PV	25.90
01052BN	Universal NuFit® Grid Body - Brushed Nickel	13.00	11004	Tubular Overflow Ell Condensate Drain ABS	5.30	11070WI	PRESFLO® Strainer Body 1.625"-16 - Wrought Iron	36.60
01052BS	Universal NuFit® Grid Body - Biscuit	8.95	11005	Drop Cylinder - ABS Plastic	2.75	11078	LIFT & TURN NuFit® D - Pin	1.45
01052BZ	Universal NuFit® Grid Body - Oil Rubbed Bronze	10.45	11006	Tubular Drop Cylinder w/ O-Ring ABS	3.80	11079	D Post, LIFT & TURN only	1.95
01052CB	Universal NuFit® Grid Body - Chrome Brushed	13.90	11007	Innovator® Drain Elbow - Long - Sch40 White ABS	7.60	11088	D Ring, LIFT & TURN only	0.55
01052HP	Universal NuFit® Grid Body - Polished Nickel	5.30	11008	Drain Ell - Schedule 40 ABS	4.85	11095	Drop Cylinder "O" Ring # -215	0.60
01052NP	Universal NuFit® Grid Body - Chrome Plated	11.00	11009	Overflow Ell - Sch 40 ABS	4.85	11111-SET	Keychain Color Sample Set	34.80
01052WH	Universal NuFit® Grid Body - White	9.40	11016	Cable Drain Elbow ABS	9.70	11114	Innovator® Overflow Ell Test Cap	1.30
01071	Cable Faceplate Adapter - Thin	1.70	11017	Tee with Seat, Sch 40 ABS	5.35	11121	ABS Retainer Star Nut for Innovator®	1.70
01072	Cable Faceplate Adapter - Medium	1.90	11018	Drop Cylinder, SL & TS ABS	1.70	11131	PRESFLO® O-Ring Seal for 1.625"-16 Stopper	0.70
01073	Cable Faceplate Adapter - Thick	2.15	11019	Tubular Innovator® Overflow Elbow, ABS	4.65	11132	PRESFLO® O-Ring Seal for 1.865"-11.5 Stopper	0.70
01076	Cable Anti-Theft Device	0.35	11020	Innovator® Overflow Ell - Schedule 40 ABS	4.65	11134	Cable O-Ring: AS 568A-204	0.25
01077AP	Cable OE Retainer Cover - Aged Pewter	21.65	11021	Perfect Fit® Overflow Flange - Schedule 40 ABS	4.90	11136	QuickTrim® O-Ring Seal , thin	0.30
01077BB	Cable OE Retainer Cover - Brushed Bronze	43.25	11022	Perfect Fit® Drain Flange, 1.5" - Schedule 40 ABS	4.65	11138	QuickTrim® O-Ring Seal , thick	0.45
01077BN	Cable OE Retainer Cover - Brushed Nickel	6.70	11023	Elbow (OE & DE) Perfect Fit® - Schedule 40 ABS	4.65	11140CP	PRESFLO® Metal Stopper 1.865"-11.5 - CP	10.05
01077BS	Cable OE Retainer Cover - Biscuit	3.00	11027	Direct Drain Tee, Coarse Thread, Schedule 40 ABS	4.85	11140PV	PRESFLO® Metal Stopper 1.865"-11.5 - PV	17.50
01077BZ	Cable OE Retainer Cover - Oil Rubbed Bronze	6.70	11028	Drain Ell, Coarse-Thread Tubular, ABS	4.00	11145AP	PRESFLO® Plastic Stopper 1.865"-11.5 - AP	16.50
01077CB	Cable OE Retainer Cover - Brushed Chrome	16.20	11029	Cable Overflow Elbow, Schedule 40 ABS, 1-1/2	8.35	11145BB	PRESFLO® Plastic Stopper 1.865"-11.5 - BB	43.50
01077CP	Cable OE Retainer Cover - Chrome Plated	2.75	11030CP	PRESFLO® Strainer Body 1.6-14 x 1.25 - Chrome	13.90	11145BN	PRESFLO® Plastic Stopper 1.865"-11.5 - BN	14.15
01077NP	Cable OE Retainer Cover - Polished Nickel	16.20	11030PV	PRESFLO® Strainer Body 1.6-14 x 1.25 - PB	26.05	11145BZ	PRESFLO® Plastic Stopper 1.865"-11.5 - BZ	14.15
01077PV	Cable OE Retainer Cover - Polished Brass	16.20	11040AP	PRESFLO® Lav Strainer Body w/ OF - AP	36.80	11145CB	PRESFLO® Plastic Stopper 1.865"-11.5 - CB	14.15
01077WH	Cable OE Retainer Cover - White	3.00	11040BB	PRESFLO® Lav Strainer Body w/ OF - BB	58.00	11145CP	PRESFLO® Plastic Stopper 1.865"-11.5 - CP	4.65
01078	WatcoLoc Insert	2.40	11040BN	PRESFLO® Lav Strainer Body w/ OF - BN	21.15	11145NP	PRESFLO® Plastic Stopper 1.865"-11.5 - NP	13.45
01079	Cable O-Ring Viton	0.30	11040BZ	PRESFLO® Lav Strainer Body w/ OF - BZ	22.25	11145PN	PRESFLO® Plastic Stopper 1.865"-11.5 - PN	13.50
01080	Cable O-Ring EPDM	0.20	11040CB	PRESFLO® Lav Strainer Body w/ OF - CB	22.25	11145PV	PRESFLO® Plastic Stopper 1.865"-11.5 - PV	13.45
01081	Cable Faceplate Screw Guide	0.05	11040CP	PRESFLO® Lav Strainer Body w/ OF - Chrome	12.60	11145WI	PRESFLO® Plastic Stopper 1.865"-11.5 - WI	15.70
10080	Elbow for 515 Direct Drain; Polypropylene	3.70	11040NP	PRESFLO® Lav Strainer Body w/ OF - NP	21.15	11150AP	PRESFLO® Metal Stopper 1.625"-16 - AP	22.90
10081	Drain Tee for 515 Direct Drain; Polypropylene	3.20	11040PN	PRESFLO® Lav Strainer Body w/ OF - PN	22.25	11150BB	PRESFLO® Metal Stopper 1.625"-16 - BB	38.70
10082	Overflow Elbow for 515 Direct Drain; Polypropylene	3.80	11040PV	PRESFLO® Lav Strainer Bdy w/ OF - PB	21.15	11150BN	PRESFLO® Metal Stopper 1.625"-16 - BN	14.40
10096	Overflow Ell, 2-Hole - Sch 40 ABS	7.20	11040WI	PRESFLO® Lav Strainer Bdy w/ OF - WI	35.85	11150BZ	PRESFLO® Metal Stopper 1.625"-16 - BZ	15.15
10098	Overflow Ell, 2-Hole - Sch 40 PVC	7.20	11041AP	PRESFLO® Lav Body w/ OF; outside threads - AP 35.05		11150CB	PRESFLO® Metal Stopper 1.625"-16 - CB	15.15
10121	Watco Strainer Body Removal Tool	20.95	11041BB	PRESFLO® Lav Body w/ OF; outside threads - BB 55.20		11150CP	PRESFLO® Metal Stopper 1.625"-16 - CP	9.65
10210CP	1-Hole Blank Overflow Plate - Chrome	4.80	11041BN	PRESFLO® Lav Body w/ OF; outside threads - BN 21.15		11150NP	PRESFLO® Metal Stopper 1.625"-16 - NP	14.40
10210PV	1-Hole BLANK Overflow Plate - Polished Brass	16.05	11041BZ	PRESFLO® Lav Body w/ OF; outside threads - BZ 22.25		11150PV	PRESFLO® Metal Stopper 1.625"-16 - WI	14.40
10410CP	2-Hole Blank Overflow Plate, metal - CP	4.80	11041CB	PRESFLO® Lav Body w/ OF; outside threads - CB 22.25		11150WI	PRESFLO® Metal Stopper 1.625"-16 - PB	22.90
10630CP	3" Screw, Flat-Heat, Unplated	1.35	11041CP	PRESFLO® Lav Body w/ OF; outside threads - CP 12.65		11155AP	PRESFLO® Plastic Stopper 1.625"-16 - AP	18.20
10671	Innovator® Drain Slip Washer	0.35	11041NP	PRESFLO® Lav Body w/ OF; outside threads - NP 21.15		11155BB	PRESFLO® Plastic Stopper 1.625"-16 - BB	40.65
10674	Beveled Sponge Overflow Ell Washer	1.70	11041PN	PRESFLO® Lav Body w/ OF; outside threads - PN 22.25		11155BN	PRESFLO® Plastic Stopper 1.625"-16 - BN	16.70
10675	Overflow Ell Foam Washer	1.70	11041PV	PRESFLO® Lav Body w/ OF; outside threads - PV 21.15		11155BZ	PRESFLO® Plastic Stopper 1.625"-16 - BZ	16.70
10676	PUSH PULL® Basin Plastic Backing Washer	1.70	11041WI	PRESFLO® Lav Body w/ OF; outside threads - WI 35.05		11155CB	PRESFLO® Plastic Stopper 1.625"-16 - CB	16.70
10678	Black, Soft Rubber OE Washer	1.10	11050AP	PRESFLO® Lav Strainer Body w/ OF - AP	24.85	11155CP	PRESFLO® Plastic Stopper 1.625"-16 - CP	4.90
10691	Innovator® Drain Seal	0.80	11050BB	PRESFLO® Lav Strainer Body w/ OF - BB	57.25	11155NP	PRESFLO® Plastic Stopper 1.625"-16 - NP	15.90
10693	Drain Flange Gasket, Perfect Fit	1.25	11050BN	PRESFLO® Lav Strainer Body w/ OF - BN	22.25	11155PV	PRESFLO® Plastic Stopper 1.625"-16 - PB	15.90
10694	Overflow Flange Gasket - Perfect Fit	1.70	11050BZ	PRESFLO® Lav Strainer Body w/ OF - BZ	22.25	11155WI	PRESFLO® Plastic Stopper 1.625"-16 - WI	18.20
10695	Drain Ell Washer - 1.375"	0.95	11050CB	PRESFLO® Lav Strainer Body w/ OF - CB	21.20	11290CP	PUSH PULL Plastic Stopper 3/8" Pin - CP	2.60
10696	Drain Ell Washer - 1.5"	0.95	11050CP	PRESFLO® Lav Strainer Body w/ OF - CP	12.10	11290WH	PUSH PULL Plastic Stopper 3/8" Pin - WH	2.05
10697	PUSH PULL® Basin Flat Backing Washer	1.35	11050NP	PRESFLO® Lav Strainer Body w/ OF - NP	21.15	11291CP	PUSH PULL Plastic Stopper Universal NuFit - CP	2.35
10700CP	TRIP LEVER Overflow Plate Assembly - Chrome	6.55	11050PN	PRESFLO® Lav Strainer Body w/ OF - PN	22.25	11307BB	Plastic Push Pull Knob BB	15.60
10700BN	TRIP LEVER Overflow Plate Assembly - BN	29.10	11050PV	PRESFLO® Lav Strainer Body w/ OF - PB	21.15	11307BN	Plastic Push Pull knob BN	3.80
10700BO	TRIP LEVER Overflow Plate Assembly - Bone	20.80	11050WI	PRESFLO® Lav Strainer Body w/ OF - WI	25.90	11307BS	Plastic Push Pull knob BS	1.05
10700BS	TRIP LEVER Overflow Plate Assembly - Biscuit	24.90	11060AP	PRESFLO® Strainer Body 1.5" - 11.5 - AP	40.80			
10700BZ	TRIP LEVER Overflow Plate Assembly -BZ	29.10	11060BB	PRESFLO® Strainer Body 1.5" - 11.5 - BB	62.60			

Parts

List Prices, Numerical (Cont.)

11307BZ	Plastic Push Pull knob BZ	3.60	14013	Innovator® Drain Crossbars, PVC	1.75	20110	Cable Stopper Adjustment Screw	1.80
11307CP	Plastic Push Pull knob CP	1.25	14016	Cable Drain Elbow, Schedule 40 PVC, 1-1.2"	9.35	20120	Cable Stopper Adjustment Nut	1.80
11307NP	Plastic Push Pull knob NP	3.80	14017	Tee with Seat, Schedule 40 PVC	5.35	20122	Nut for Cable Wire	0.50
11307WH	PUSH PULL® Knob - Plastic - White	1.20	14019	Tubular Innovator® Overflow Ell, PVC	4.90	20130	Cable DE Washer	1.70
11360CP	Strainer Body 1.865" x 11.5, 3.05 Flange - CP	17.25	14020	Innovator® Overflow Ell - Schedule 40 PVC	4.65	20140	Cable Overflow Plate Locking Screw	1.90
11360PV	Strainer Body 1.865" x 11.5, 3.05 Flange - PB	23.90	14021	Perfect Fit Overflow Flange - Schedule 40 PVC	4.90	20145	Cable Drive Shaft	1.20
11370CP	Strainer Body, 1.625-in x 16, 3.05 Flange - CP	17.25	14022	Perfect Fit Drain Flange, 1.5" - Schedule 40 PVC	4.90	20146	Cable Retainer	1.05
11370PV	Strainer Body, 1.625-in x 16, 3.05 Flange - PB	23.90	14023	Elbow (OE & DE) Perfect Fit - Schedule 40 PVC	4.65	20147	Cable Core Guide	2.45
11380CP	Strainer Body, 1.625-in x 14, 3.05 Flange - CP	17.25	14027	Direct Drain Tee, Schedule 40 PVC CT	5.10	20151	Cable Core	0.35
11380PV	Strainer Body, 1.625-in x 14, 3.05 Flange - PB	23.90	14028	Drain Ell, Coarse-Thread Tubular, PVC	4.00	20156	21-In. Sheath W/brass Threads for Cable Bathwaste	7.00
11420CP	PP & LT Strainer Body, 1.749" x 12 (Gopher) - CP	14.10	14029	Cable Overflow Elbow, Schedule 40 PVC, 1-1/2"	8.00	20158	Innovator Cable Core Barrel	1.20
11430CP	PUSH PULL® Basin Strainer Body, brass - Chrome	10.85	20020BN	TURNSTYLE® Overflow Mount w/Prongs - BN	22.25	20160	31-In. Sheath w/Brass Threads for Cable Bathwaste	7.10
11431CP	PP Basin Body w/o Overflow - Chrome	12.05	20020BO	TURNSTYLE® Overflow Mount w/Prongs - BO	10.30	38100BUSH	Bushing Board with Bushings #38101-thru-#38116	214.50
11432CP	PUSH PULL® Basin Body, brass; no OF; w O.D.-CP	11.10	20020BS	TURNSTYLE® Overflow Mount w/Prongs - BS	10.30	40675	Overflow Ell Washer for Brass Bath Waste	1.80
11480	Innovator® Drain Retainer Nut, PVC	1.95	20020BZ	TURNSTYLE® Overflow Mount w/Prongs - BZ	22.25	41005	Brass Drop Cylinder for Brass	7.20
11490CP	TRIP LEVER Zinc Str. Body, 1.625" x 16-CP only	8.95	20020CB	TURNSTYLE® Overflow Mount w/Prongs - CB	22.25	41021	Sliptube, 17g Brass, 1.508 I.D. x 3-in.	5.60
11492CP	LT/FA Strainer Body, 1.865" x 11.5 (Zinc) 3/8"-CP	7.60	20020CP	TURNSTYLE® Overflow Mount w/Prongs - CP	8.00	41029BN	Brass Lav Drop Tube 7-in. - Brushed Nickel	46.85
11494CP	PUSH PULL® Strainer Body, 1 11/16" x 16 x 1in-CP	9.10	20020NP	TURNSTYLE® Overflow Mount w/Prongs - NP	21.15	41029BZ	Brass Lav Drop Tube 7-in. - Oil-Rubbed Bronze	46.85
11495CP	TL Strainer Body, Zinc 1.865" x 11.5 - Chrome	6.25	20020PV	TURNSTYLE® Overflow Mount w/Prongs - PB	22.25	41029CB	Brass Lav Drop Tube 7-in. - Chrome Brushed	39.90
11504	PP Friction Ring, Small Gap	0.45	20020WH	TURNSTYLE® Overflow Mount w/Prongs - WH	10.30	41029CP	Brass Lav Drop Tube 7-in. - CP	14.30
11507	Seal, PP & LT - 1 1/16" Dia.	1.15	20020WI	TURNSTYLE® Overflow Mount w/Prongs - WI	27.10	41029NP	Brass Lav Drop Tube 7-in. - Polished Nickel	39.90
11509	Basin Wedge Seal, PUSH PULL®	0.95	20030BN	Cable Overflow Plate - Brushed Nickel	39.75	41029PV	Brass Lav Drop Tube 7-in. - Polished Brass	46.85
11510	Post & Friction Ring, 3/8", PUSH PULL® only	2.50	20030BO	Cable Overflow Plate - Bone	22.80	41029PN	Brass Lav Drop Tube 7-in. - Pearl Nickel	41.90
11511	Post & Friction Ring, 5/16", PUSH PULL® only	2.85	20030BS	Cable Overflow Plate - Biscuit	22.80	41037BN	12" Brass Lav Drain Tube - BN	73.20
11515	11512 Plas. Pin & 11504 PP Friction Ring-Small Gap	1.00	20030BZ	Cable Overflow Plate - Oil-Rubbed Bronze	39.75	41037BZ	12" Brass Lav Drain Tube - BZ	73.20
11519	FOOT ACTUATED Seal	0.75	20030CB	Cable Overflow Plate - Chrome Brushed	39.75	41037CB	12" Brass Lav Drain Tube - CB	53.30
11520	Univ. NuFit 11537 Plastic Pin & 11529 Friction Ring	1.15	20030CP	Cable Overflow Plate - Chrome	15.35	41037CP	12" Brass Lav Drain Tube - CP	21.15
11526	Innovator Cable® Stopper Seal - 1-1/16 In.	0.85	20030NP	Cable Overflow Plate - Nickel Polished	39.75	41037NP	12" Brass Lav Drain Tube - NP	73.20
11527	Universal NuFit Seal	0.60	20030PV	Cable Overflow Plate - Polished Brass	39.75	41037PV	12" Brass Lav Drain Tube - PB	73.20
11529	Universal NuFit Friction Ring	0.35	20030WH	Cable Overflow Plate - White	23.95	41037PN	12" Brass Lav Drain Tube - PN	76.90
11530	Retainer Plate	1.15	20030WI	Cable Overflow Plate - Wrought Iron	42.65	41040	Chicago Overflow Tube - 12 in.	22.85
11531	Retainer Plate for 2-Hole Schedule 40	1.25	20035	Cable Overflow Ell Assembly	22.80	41041	Chicago Overflow Tube - 17 in.	29.35
11533	Chicago Alignment Pin	1.05	20040	Cable Drain Ell Lock Pin	1.90	41540	Brass Screw for Brass Retainer Plate	0.60
11537	Universal NuFit PP Pin Plastic	0.55	20065BN	Cable Full-Cover Stopper - Brushed Nickel	37.35	41580	Brass Slip Nut	2.30
11540	Retainer Plate Screw	0.80	20065BO	Cable Full-Cover Stopper - Bone	21.15	41582	Brass Half Ferrule, 1-1/2 in.	3.60
11547	Threaded Adapter Pin - 3/8-5/16 - Brass	4.20	20065BS	Cable Full-Cover Stopper - Biscuit	21.15	41583	Brass Ferrule	2.45
11551	Threaded Adapter Pin - #10-24 - Brass	4.20	20065BZ	Cable Full-Cover Stopper - Oil-Rubbed Bronze	37.55	41585	Basin PP Zinc Wedge Nut	1.70
11554	Threaded Adapter Pin - 1/4-20 - Brass	4.20	20065CB	Cable Full-Cover Stopper - Brushed Chrome	37.35	44001	Brass Tee for TRIP LEVER	20.90
11573	6-in Dial Calipers, 4-way measurement	48.15	20065CP	Cable Full-Cover Metal Stopper - Chrome	17.25	44002	Brass Drain Ell - 1.625 in. - 16	8.65
11574	Set of Steel Thread Gauges 4-84 threads	24.10	20065NP	Cable Full-Cover Stopper - Nickel Polished	37.35	44003	Brass Overflow Ell	10.05
11577	Green Test Plug with O-Ring-Type Washer	2.50	20065PV	Cable Full-Cover Stopper - Polished Brass	39.25	44004	Brass Overflow Ell with Condensate Drain	16.70
11580	Slip Joint Nut - Black 1.5"	0.70	20065WH	Cable Full-Cover Stopper - White	21.15	44005	Brass Overflow Ell for Innovator	19.95
11581	Slip Joint Nut - White 1.5"	0.70	20065WI	Cable Full-Cover Stopper - Wrought Iron	38.60	44006	Brass Drain Ell, 1.5 in. - 11.5	12.10
11583	Slip Joint Poly Washer 1.5"	0.60	20067BB	Cable Stopper Top - BB	46.55	44007	Brass Direct Drain with Internal Threads	10.30
11607	Hub - Schedule 40 PVC	6.80	20067BN	Cable Stopper Top - BN	8.05	44010	Brass Direct Drain Tee with Internal Threads	46.20
11608	Hub - Schedule 40 ABS	7.05	20067BO	Cable Stopper Top - BO	8.05	44011	Brass Elbow for Direct Drain	22.35
11610	Spigot - Schedule 40 PVC only	6.65	20067BS	Cable Stopper Top - BS	7.65	44012	Brass Lay-Down Tee	37.20
11613	14-Inch Tube Extension, ABS Tubular Plastic	3.80	20067BZ	Cable Stopper Top - BZ	8.05	44013	Chicago Overflow Flange	6.65
11614	14-Inch Tube Extension, PVC Tubular Plastic	3.80	20067CB	Cable Stopper Top - CB	8.05	96039	PRESFLO Suction Cup 1.5-in.	0.70
11619	6.5-in Double-Loop Wire	1.35	20067CP	Cable Stopper Top - CP	3.00	96057	New Silicone Pouch	4.20
11620	Double-Loop Wire - 7 1/2-in	2.65	20067NP	Cable Stopper Top - NP	8.05	96067	Double-Sided Adhesive Ring for NuFit	4.20
11621	Double-Loop Wire - 9 1/2-in	2.65	20067PV	Cable Stopper Top - PV	8.05	96068	Double-Sided Adhesive Ring for NuFit Grid Body	4.20
11622	Double-Loop Wire - 10 1/2"	2.80	20067WH	Cable Stopper Top - WH	7.65	17GA-__	17 Gauge Brass Tubing per inch	1.75
11623	Double-Loop Wire - 11.375"	2.80	20068	Cable Stopper Shaft	3.20	20-GA-__	20 Gauge Brass Tubing per inch	1.65
11624	Double-Loop Wire - 13 1/2"	3.60	20069	Cable Stopper Screw #6x3/4 Fillister MS	0.55	SCHABS-	Schedule 40 ABS Tubing per inch	0.45
11641	Adapter Bar, Aluminum	1.55	20072	Cable Stopper Spring	0.60	SCHPVC-	Schedule 40 PVC Tubing per inch	0.35
14000	Tubular Tee, PVC	5.10	20080BN	Cable Strainer Body - Brushed Nickel	22.25	SA01010	Finish Display Board	77.80
14001	Removable Tailpiece, Tee PVC	7.00	20080BO	Cable Strainer Body - Bone	14.65	U80256	Union Tee with Seat	15.90
14003	Tubular Overflow Ell, PVC	5.30	20080BS	Cable Strainer Body - Biscuit	14.65			
14004	Tubular Overflow Ell Condensate Drain, PVC	5.30	20080BZ	Cable Strainer Body - Oil-Rubbed Bronze	22.25			
14005	Drop Cylinder - PVC Plastic	2.75	20080CB	Cable Strainer Body - Brushed Chrome	22.25			
14006	Tubular Drop Cylinder w/ O-Ring PVC	3.80	20080CP	Cable Strainer Body - Chrome Plated	9.45			
14007	Innovator® Drain Elbow - Long - Sch40 PVC	8.30	20080NP	Cable Strainer Body - Nickel Plated	14.65			
14008	Drain Elbow - Schedule 40, PVC	4.85	20080PV	Cable Strainer Body - Polished Brass	14.65			
14009	Overflow Ell - Schedule 40, PVC	4.85	20080WH	Cable Strainer Body - White	14.65			
14010	Sanitary Tee, Schedule 40, PVC	5.10	20080WI	Cable Strainer Body - Wrought Iron	33.40			
14011	Sanitary Tee, Schedule 40, ABS	5.10	20085	Cable Drain Ell Assembly	27.35			
14012	Overflow Ell Condensate Drain, Schedule 40, PVC	5.65	20100	Cable Overflow Ell Gasket	2.45			

BRASS PARTS & FITTINGS

01003CP....2-Hole Overflow Plate, Metal.....	4.25	41580..... Brass Slip Nut.....	2.30
01024CP.... Overflow Plate Screw, 2.25".....	2.15	41582..... Brass Half Ferrule (2 usually required).....each	1.80
10675..... Overflow Elbow Gasket - Foam.....	1.70	41583..... Brass Ferrule (2 usually required).....each	2.45
10696..... Drain Elbow Washer, 1.5", Gray, Coarse Thread.....	0.95	44001..... Brass Tee with Seat.....	20.90
11530..... Retainer Plate.....	1.15	44002..... Brass Drain Elbow, 1.625-16, Fine Thread.....	8.65
11533..... Chicago Alignment Plate.....	1.05	44003..... Brass Overflow Elbow.....	10.05
11583..... Slip Joint Polywasher 1.5".....	0.60	44004..... Brass Overflow Elbow with Condensate Drain.....	16.70
17GA-___ Brass Pipe - 17 Gauge (specify length).....per inch	1.75	44005..... Brass Innovator® Overflow Elbow.....	19.95
20GA-___ Brass Pipe - 20 Gauge (specify length).....per inch	1.65	44006..... Brass Drain Elbow, 1.865-11.5, Coarse Thread.....	12.10
40675..... Overflow Elbow Washer for Brass Bath Waste.....	1.80	44007..... Brass Direct Drain with Internal Threads.....	10.30
41005..... Brass Drop Cylinder for Brass.....	7.20	44010..... Brass Direct Drain Tee with Internal Threads.....	46.20
41021..... Sliptube, 17g Brass, 1.508 I.D. x 3 in.....	5.60	44011..... Brass Elbow for Direct Drains.....	22.35
41040..... Chicago Overflow Tube 12".....	22.85	44012..... Brass Lay-Down Tee (New York Tee).....	37.20
41041..... Chicago Overflow Tube 17".....	29.35	44013..... Chicago-Code Overflow Flange.....	6.65
41540..... Brass Screw for Retainer Plate for Brass.....	0.60	U80256..... Brass Tee for Slip 'N Solder bath wastes.....	15.90

CABLE BATH WASTES PARTS & FITTINGS

528/538 BRASS CABLE - NON-TESTABLE

11134..... Cable O-Ring: AS 568A-204.....	0.25	20100..... Cable Overflow Elbow Gasket.....	2.45
11507..... Stopper Seal, 1-1/16" dia.....	1.15	20110..... Cable Stopper Adjustment Screw (Brass Cable).....	1.80
11583..... Slip Joint Polywasher 1.5".....	0.60	20120..... Cable Stopper Adjustment Nut (Brass Cable).....	1.80
20020CP... TURNSTYLE® Overflow Mount - Chrome.....	8.00	20122..... Nut for Cable Wire.....	0.50
20030CP... Cable Overflow Plate - Chrome.....	15.35	20130..... Cable Drain Elbow Washer.....	1.70
20035..... Cable Overflow Elbow Assembly with 20041 Turning Pin.....	22.80	20140..... Cable Overflow Plate Locking Screw.....	1.90
20040..... Cable Drain Elbow Lock Pin.....	1.90	20156..... 22.125" Sheath with Brass Threads for Cable Assembly.....	7.00
20065CP... Stopper w/20110 screw & 20120 nut - Chrome.....	17.25	20160..... 31" Sheath with Brass Threads for Cable Assembly.....	7.10
20080CP... Cable Strainer Body - Chrome.....	9.45	41580..... Brass Slip Nut.....	2.30
20085..... Cable Drain Elbow Assembly.....	27.35	44001..... Brass Tee with Seat.....	20.90

INNOVATOR® CABLE - TESTABLE

01016CP.... PP/LT Strainer Body, Brass, 1.865"-11.5x1.25" - Chrome.....	11.50	11016..... Cable Drain Elbow, Schedule 40 ABS, 1-1/2".....	9.70
01019CP.... Innovator® Cable Faceplate - Chrome Plated.....	8.60	11029..... Cable Overflow Elbow, Schedule 40 ABS.....	8.35
01032CP.... Cable Faceplate Screw, 1/4-20x1-3/4", with Screw Guide.....	1.35	11526..... Cable Stopper Seal.....	0.85
01036..... Cable Retainer-to-Overflow Screw.....	0.55	11577..... Green Test Plug with O-Ring-type Gasket Assembly.....	2.50
01037..... Cable Adapter-to-Drive Shaft Screw.....	0.40	14010..... Sanitary Tee, Schedule 40 PVC, 1-1/2".....	5.10
01047CP.... Cable Overflow Elbow Retainer Nut - Chrome Plated.....	3.45	14011..... Sanitary Tee, Schedule 40 ABS, 1-1/2".....	5.10
01071..... Cable Faceplate Adapter - Thin.....	1.70	14016..... Cable Drain Elbow, Schedule 40 PVC.....	9.35
01072..... Cable Faceplate Adapter - Medium.....	1.90	14029..... Cable Overflow Elbow, Schedule 40 PVC.....	8.00
01073..... Cable Faceplate Adapter - Thick.....	2.15	20067CP... Cable Stopper - Chrome Plated.....	3.00
01076..... Cable Theft-Resistant Device.....	0.35	20068..... Cable Stopper Shaft.....	3.20
01077CP.... Cable Overflow Elbow Retainer Nut Cover - Chrome Plated.....	2.75	20069..... Stopper Adjusting Screw.....	0.55
01078..... WatcoLoc Insert.....	2.40	20072..... Cable Stopper Spring.....	0.60
01079..... Cable Quick-Connect O-Ring Vitron M2 5x7.....	0.30	20145..... Cable Drive Shaft.....	1.20
01080..... Cable Quick-Connect O-Ring EPDM M2 5x7.....	0.20	20146..... Cable Retainer.....	1.05
01081..... Cable Screw Guide.....	0.05	20147..... Cable Core Guide.....	2.45
10675..... Overflow Elbow Gasket, Foam.....	1.70	20151..... Cable Core.....	0.35
10694..... Overflow Flange Gasket, Foam Rubber (Perfect Fit®).....	1.70	20158..... Cable Core Anchor Barrel.....	1.20
10696..... Drain Elbow Gasket, 1.5", Coarse Thread, gray.....	0.95		

GASKETS - SEALS - WASHERS

10671..... Innovator® Drain Elbow Slip Washer.....	0.35	10696..... Drain Elbow Gasket, 1.90" I.D., 2.75" O.D., Gray.....	0.95
10674..... Beveled Sponge Overflow Elbow Washer.....	1.70	10697..... Basin PP Flat Backing Washer.....	1.35
10675..... Overflow Ell Washer, Foam.....	1.70	11507..... Stopper Seal, 1-1/16" dia.....	1.15
10676..... Basin Plastic Backing Washer.....	1.70	11509..... Basin PF/PP Wedge Seal.....	0.95
10678..... Black, Soft Rubber Overflow Elbow Gasket.....	1.10	11519..... Foot Actuated Seal.....	0.80
10691..... Innovator® Drain Rubber Seal.....	0.80	11526..... Cable Stopper Seal, 1-1/16".....	0.85
10693..... Drain Flange Gasket, Rubber, Perfect Fit.....	1.25	11527..... Universal NuFit® Seal.....	0.60
10694..... Overflow Elbow Flange Gasket, Half Height.....	1.70	40675..... Overflow Elbow Washer for Brass.....	1.80
10695..... Drain Elbow Washer 1.375", Fine Thread, Black.....	0.95		

See previous list of Part Numbers for other finishes available for items indicated with a CP finish.

Parts

List Prices, By Category (Cont.)

INNOVATOR® - 900 SERIES PARTS & FITTINGS

01001CP.... W-Overflow Plate - Chrome Plated	52.80	11507..... Stopper Seal, 1-1/16"	1.15
01005CP.... Overflow Plate, Innovator® - Chrome Plated	3.40	11577..... Green Test Plug with O-Ring-type Gasket Assembly	2.50
10675..... Overflow Elbow Gasket, 2-1/4 I.D., 3-1/2 O.D., 5/8" Foam.....	1.70	14008..... Drain Elbow, Schedule 40 PVC.....	4.85
10696..... Drain Elbow Gasket, 1.90 I.D., 2.75 O.D. - Gray.....	0.95	14010..... Sanitary Tee, Schedule 40 PVC.....	5.10
11008..... Drain Elbow, Schedule 40 ABS.....	4.85	14011..... Sanitary Tee, Schedule 40 ABS.....	5.10
11019..... Innovator® Overflow Elbow, Tubular Plastic, ABS.....	4.65	14019..... Innovator® Overflow Elbow, Tubular, PVC.....	4.90
11020..... Innovator® Overflow Elbow, Schedule 40 ABS.....	4.65	14020..... Innovator® Overflow Elbow, Schedule 40, PVC.....	4.65
11027..... Direct Drain Tee, Schedule 40 ABS.....	4.85	14027..... Direct Drain Tee, Schedule 40 PVC.....	5.10
11114..... O-Ring-type Test Cap Assembly for Innovator® Overflow	1.30	44005..... Brass Overflow Elbow for Brass Innovator® Series.....	19.95
11121..... ABS Retainer Star Nut for Innovator®.....	1.70		

INNOVATOR® DRAIN SERIES PARTS & FITTINGS

01005WH... Overflow Plate, Innovator® - White	13.15	11480..... Innovator® Drain Elbow Retainer Nut	1.95
10671..... Innovator® Drain Elbow Slip Washer	0.35	11507..... Stopper Seal, 1-1/16"	1.15
10675..... Overflow Elbow Gasket, 2-1/4 I.D., 3-1/2 O.D., 5/8" Foam.....	1.70	11515..... Plastic Pin, 3/8" (11512) & Small Gap Friction Ring (11504) ...	1.00
10691..... Innovator® Drain Elbow Rubber Seal.....	0.80	14007..... Innovator® Drain Elbow-Long - PVC.....	8.30
11007..... Innovator® Drain Elbow-Long - White ABS	7.60	14010..... Sanitary Tee - Schedule 40 PVC.....	5.10
11019..... Innovator® Overflow Elbow, Tubular - ABS.....	4.65	14011..... Sanitary Tee - Schedule 40 ABS.....	5.10
11020..... Innovator® Overflow Elbow - Schedule 40 ABS.....	4.65	14013..... Innovator® Drain Crossbar, removable	1.75
11121..... Retainer Star Nut for Innovator®.....	1.70	14020..... Innovator® Overflow Elbow - Schedule 40 PVC.....	4.65
11290WH... Plastic Stopper - White	2.05	14027..... Direct Drain Tee - Coarse Thread - Schedule 40 PVC.....	5.10
11307WH... Plastic Knob - White	1.20		

LAVATORY DRAINS PARTS & FITTINGS

PRESFLO® LAVATORY DRAINS

11040CP.... PresFlo® Lav Strainer Body, no OF, 1.26-18x1.35 - CP.....	12.60
11041CP.... PresFlo® Lav Strainer Body, no OF, O.D. Threads - CP.....	12.65
11050CP.... PresFlo® Lav Strainer Body, w/OF, 1.26-18x1.35 - CP.....	12.10
11131..... O'-Ring PresFlo® Seal FT	0.70
11150CP.... PresFlo® Stopper-Brass, Basin - Chrome (also order 11131)...	9.65
96039..... PresFlo® Suction Cup, 1.5" (for removing PresFlo® stopper)...	0.70

PUSH PULL® LAVATORY DRAINS

01010CP.... Knob, Brass	2.45
01013CP.... Stopper, Brass	11.30
10676..... Basin (700-PP) Push Pull® Plastic Backing Washer	1.70
11290CP.... (700-PP) Push Pull® Stopper, ABS Plastic - Chrome Plated ...	2.60
11430CP.... Basin PP Strainer Body, OF, 1.26-18x1.35 - CP.....	10.85
11431CP.... Basin PP Strainer Body, no OF, 1.26-18x1.35 - CP.....	12.05
11432CP.... Basin PP Strainer Body, no OF, O.D. Threads.....	11.10
11507..... Stopper Seal, 1-1/16" dia.....	1.15
11510..... PP 3/8" Pin (11508) and Friction Ring (11504).....	2.50

OTHER LAVATORY PARTS

10697..... Basin PF/PP Flat Backing Washer	1.35	41037CP.... Basin Brass Drop Tube 12-in - Chrome Plated	21.15
11509..... Basin PF/PP Wedge Seal.....	0.95	41585..... Basin PF/PP Zinc Wedge Nut.....	1.70
41029CP.... Basin Drop Tube 7-in - Chrome Plated.....	14.30		

OVERFLOW PLATES & SCREWS

01001CP.... W-Overflow Plate, Plastic - Chrome Plated	52.80	01031CP.... 4" Faceplate Screw, Brass - Chrome Plated	3.90
01002CP.... 1-Hole Overflow Plate, Metal - Chrome Plated.....	4.25	01032CP.... Cable Faceplate Screw (also order #01081).....	1.35
01003CP.... 2-Hole Overflow Plate, Metal - Chrome Plated.....	4.25	10210CP.... 1-Hole Overflow Plate, Metal, Blank - Chrome Plated.....	4.80
01005CP.... Overflow Plate, Innovator® - Chrome Plated	3.40	10410CP.... 2-Hole Overflow Plate, Metal, Blank - Chrome Plated.....	4.80
01019CP.... Cable (Testable) Overflow Plate - Chrome Plated	8.60	10630CP... 3" Screw, Flat Head, Chrome-Plated.....	1.35
01024CP.... 2.25" Overflow Plate Screw, Brass - Chrome Plated	2.15	20030CP... Cable (528/538) Overflow Plate - Chrome Plated.....	15.35
01026..... Thumb Screw (600 TK), 1/4-20x1.5".....	0.70	20140..... Cable Overflow Plate Locking Screw	1.90
01030CP.... 3-3/4" Overflow Plate Screw, Stainless Steel - Chrome.....	2.75		

PERFECT FIT® - 400 SERIES PARTS & FITTINGS

01022CP.... PP/LT Strainer Body, 1.625"-16-1.25" - Chrome Plated.....	10.25	11023..... Perfect Fit® Pancake 90° Elbows (OE and DE), Sc.40 ABS....	4.65
10675..... Overflow Elbow Gasket, 2-1/4 I.D., 3-1/2 O.D., 5/8" Foam.....	1.70	14010..... Sanitary Tee - Sch 40 PVC.....	5.10
10693..... Perfect Fit® Drain Flange Gasket, Rubber	1.25	14011..... Sanitary Tee - Sch 40 ABS.....	5.10
10694..... Perfect Fit® Overflow Flange Gasket, Foam Rubber.....	1.70	14021..... Perfect Fit® Overflow Flange, Schedule 40 PVC	4.90
11021..... Perfect Fit® Overflow Flange, Schedule 40 ABS.....	4.90	14022..... Perfect Fit® Drain Flange, 1.5", Schedule 40 PVC	4.90
11022..... Perfect Fit® Drain Flange, Schedule 40 ABS.....	4.65	14023..... Perfect Fit® Pancake 90° Elbows (OE & DE), Sch. 40 PVC..	4.65

See previous list of Part Numbers for other finishes available for items indicated with a CP finish.

SCHEDULE 40 PIPE & FITTINGS

10096..... Overflow Elbow- 2-Hole - Schedule 40 ABS.....	7.20	11608..... Hub Adapter - Schedule 40 ABS.....	7.05
10098..... Overflow Elbow- 2-Hole - Schedule 40 PVC.....	7.20	11610..... Spigot Adapter - Schedule 40 PVC.....	6.65
10674..... Beveled Sponge Overflow Elbow Gasket.....	1.70	14008..... Drain Elbow - Schedule 40 PVC.....	4.85
11008..... Drain Elbow - Schedule 40 ABS.....	4.85	14009..... Overflow Elbow- 1-Hole - Schedule 40 PVC.....	4.85
11009..... Overflow Elbow- 1-Hole - Schedule 40 ABS.....	4.85	14010..... Sanitary Tee - Schedule 40 PVC.....	5.10
11017..... Tee with Seat - Schedule 40 ABS.....	5.35	14011..... Sanitary Tee - Schedule 40 ABS.....	5.10
11020..... Innovator® Overflow Elbow - Schedule 40 ABS.....	4.65	14012..... Overflow Elbow Condensate Drain, Schedule 40 PVC.....	5.65
11027..... Direct Drain Tee - Schedule 40 ABS.....	4.85	14017..... Tee with Seat - Schedule 40 PVC.....	5.35
11531..... Retainer Plate for 2-Hole Schedule 40.....	1.25	14020..... Innovator® Overflow Elbow - Schedule 40 PVC.....	4.65
11540..... Retainer Plate Screw.....	0.80	14027..... Direct Drain Tee - Schedule 40 PVC.....	5.10
11577..... Green Test Plug with O-Ring-type Gasket Assembly.....	2.50	SCHABS-__ Schedule 40 ABS Pipe (specify length in inches)...per inch	0.45
11607..... Hub Adapter - Schedule 40 PVC.....	6.80	SCHPVC-__ Schedule 40 PVC Pipe (specify length in inches)...per inch	0.35

STRAINER BODIES (See page 74 for Lavatory Strainer Bodies.)

01016CP.... Strainer Body, Brass, 1.865" O.D. -11.5 tpi x1.25" depth - CP..	11.50	11070CP.... PresFlo® Strainer Body, 1.625"-16x1.25 - Chrome Plated.....	14.60
01017CP.... PP only, Strainer Body 1.625" O.D. - 16 x 1" depth - CP.....	10.40	11360CP.... Body, 1.865" O.D. -11.5 tpi x1.25" depth, 3.0" Flange - CP.....	17.25
01018CP.... Strainer Body, 1.625" O.D. -14 tpi x1.25" depth - CP.....	10.80	11370CP.... Str. Body, 1.625" O.D. -16 tpi x1.25" depth, 3.0" Flange - CP..	17.25
01022CP.... Strainer Body, Brass, 1.625" O.D. -16 tpi x1.25" depth - CP....	10.25	11380CP.... Str. Body, 1.625" O.D. -14 tpi x1.25" depth, 3.0" Flange - CP..	17.25
01033CP.... Bushing Strainer Body, 1.375" O.D.-16 tpi x1.62" depth - CP..	11.70	11420CP.... Strainer Body, 1.749" O.D. -12 tpi x1.25" depth (Gopher) - CP	14.10
01042CP.... PresFlo® NuFit® Strainer Body - Chrome Plated.....	10.90	11430CP.... Basin PP Str. Body, 1.51"-18x1.20", 2.12" Flange - CP.....	10.85
01043CP.... Push Pull® NuFit® Strainer Body - Chrome Plated.....	10.90	11431CP.... Basin PP Str. Body, no OF, 1.51" -18 tpi x1.20", 2.12" Fl - CP..	12.05
01044CP.... Lift and Turn NuFit® Strainer Body - Chrome Plated.....	9.10	11490CP.... TL Strainer Body, Zinc, 1.625" O.D. -16 tpi x1.25" depth - CP..	8.95
01050HP.... QuickTrim® Strainer Body Cover - Chrome.....	6.85	11492CP.... Strainer Body, Zinc, 1.865" O.D. -11.5 tpi x1.25" depth - CP....	7.60
11030CP.... PresFlo® Strainer Body, 1.625"-14x1.25" - Chrome Plated.....	13.90	11494CP.... Strainer Body, PP - 1.67" O.D. -16 tpi x1.0" depth - CP.....	9.10
11060CP.... PresFlo® Strainer Body, 1.865"-11.5x1.25" - Chrome Plated..	13.90	11495CP.... TL Str. Body, Zinc, 1.865" O.D. -11.5 tpi x1.25" depth - CP.....	6.25

NUFIT SERIES / UNIVERSAL NUFIT SERIES PARTS & FITTINGS

01042CP.... PresFlo® NuFit® Strainer Body - Chrome Plated.....	10.90	11536..... NuFit® Push Pull® Pin - 5/16.....	0.35
01043CP.... PUSH PULL® NuFit® Strainer Body - Chrome Plated.....	10.90	11537..... Universal NuFit® Push Pull® Pin, Plastic.....	2.65
01044CP.... Lift and Turn NuFit® Strainer Body - Chrome Plated.....	9.10	11539..... NuFit® PP Screw, Long #10-32x1".....	0.55
01046CP.... Lift and Turn NuFit® Short Stopper - Metal - Chrome Plated...	12.20	11547..... Threaded Adapter Pin - 3/8-5/16 - Brass.....	4.40
01052HP.... Universal NuFit® Grid Strainer Body - Chrome.....	7.05	11551..... Threaded Adapter Pin - #10-24 - Brass.....	4.20
11078..... Lift & Turn D Pin for NuFit®.....	5.30	11554..... Threaded Adapter Pin - 1/4-20 - Brass.....	4.20
11291CP.... Universal NuFit® Push Pull® Stopper.....	1.45	96057..... Silicone Pouch for NuFit®.....	4.20
11307CP.... Universal NuFit® Plastic Knob.....	2.35	96067..... Watco Bonding Strip for no Grid - Green.....	4.20
11520..... Universal NuFit PP Pin (11537) and Friction Ring (11529).....	1.25	96068..... Watco Bonding Strip for Grid - Red.....	4.20
11527..... Universal NuFit® Seal.....	1.15		
11529..... Universal NuFit® Friction Ring.....	0.60		

TRIP LEVER & TURNSTYLE BATH WASTE PARTS & FITTINGS

01006CP.... Dome Strainer Cover Plate - Chrome.....	3.75	11495CP.... Trip Lever Strainer Body, Zinc, 1.865"-11.5-1.25" - Chrome.....	6.25
01040CP.... Strainer Cover Plate Screw - Chrome.....	1.35	11530..... Retainer Plate.....	1.15
10700CP.... Trip Lever Faceplate Assembly - Chrome Plated.....	6.55	11531..... Retainer Plate for 2-Hole Schedule 40 PVC.....	1.25
10910..... Brass Drop Cylinder for Plastic.....	18.95	11540..... Retainer Plate Screw.....	0.80
10920..... Trip Lever Clevis for TURNSTYLE®.....	1.85	11580..... Slip Joint Nut, ABS, 1.5".....	0.70
10930..... Trip Lever Cotter Pin.....	0.60	11581..... Slip Joint Nut, PVC, 1.5".....	0.70
10950..... Trip Lever Quick Adjust® Clevis.....	2.05	11583..... Slip Joint Polywasher, 1.5".....	0.60
10952..... Trip Lever Linkage Nut.....	0.60	11619..... Double-Loop Wire, 6.5".....	1.35
10953..... Trip Lever Top-Linkage Eye Bolt.....	1.50	11620..... Double-Loop Wire, 7.5".....	2.65
10954..... Double-Loop Wire, 5.25".....	1.35	11621..... Double-Loop Wire, 9.5".....	2.65
10960..... SLIP LOCK® Clevis with Head Assembly.....	6.35	11622..... Double-Loop Wire, 10.5".....	2.80
10963..... SLIP LOCK® Single-Loop Wire.....	0.95	11623..... Double-Loop Wire, 11.375".....	2.80
11000..... Tee, Tubular ABS.....	5.10	11624..... Double-Loop Wire, 13.5".....	3.60
11001..... Removable Tailpiece Tee, Tubular ABS.....	7.00	14005..... Drop Cylinder, Tubular PVC and Schedule 40 PVC.....	2.75
11005..... Drop Cylinder, Tubular ABS.....	2.75	14006..... Drop Cylinder with "O"-Ring, Tubular PVC.....	3.80
11006..... Drop Cylinder with O-Ring, Tubular ABS.....	3.80	14017..... Tee with Seat, Schedule 40 PVC.....	5.35
11017..... Tee with Seat, Schedule 40 ABS.....	5.35	20020CP... TURNSTYLE® Overflow Mount- Chrome.....	8.00
11018..... Drop Cylinder, SL and TS, ABS.....	1.70	41005..... Brass Drop Cylinder for Brass.....	7.20
11095..... Drop Cylinder O-Ring.....	0.60	41540..... Brass Screw for Retainer Plate for Brass.....	0.60
11490CP.... Trip Lever Strainer Body, Zinc, 1.625"-16-1.25" - Chrome.....	8.95		

See previous list of Part Numbers for other finishes available for items indicated with a CP finish.

Parts

List Prices, By Category (Cont.)

TUB CLOSURE PARTS & FITTINGS

FOOT ACTUATED

01016CP.... Strainer Body, Brass, 1.865"-11.5-1.25" - Chrome Plated.....	11.50	11494CP.... Push Pull® Strainer Body, 1-11/16"-16x1.25".....	9.10
01018CP.... Strainer Body 1.625"-14-1.25" - Chrome Plated.....	10.80	11519..... Foot Actuated Replacement Seal.....	0.80
01022CP.... Strainer Body, Brass, 1.625"-16.0-1.25" - Chrome Plated.....	10.25	38410CP.... Foot Actuated Replacement Stopper, 5/16" Pin - Chrome.....	8.35
11492CP.... LT/FA Strainer Body, Zinc, 1.865"-11.5-1.25" - Chrome Plated	7.60	38412CP.... Foot Actuated Replacement Stopper, 3/8" Pin - Chrome.....	8.35

PRESFLO® (See Lavatory Section for lav items.)

11030CP.... PresFlo® Strainer Body 1.625"-14x1.25" - Chrome Plated.....	13.90	11140CP.... PresFlo® Stopper-Brass for 1.865"-11.5 - Chrome Plated.....	10.05
11060CP.... PresFlo® Strainer Body 1.865"-11.5x1.25" - Chrome Plated.....	13.90	11145CP.... PresFlo® Stopper-Plastic for 1.865"-11.5 - Chrome Plated.....	4.65
11070CP.... PresFlo® Strainer Body 1.625"-16x1.25" - Chrome Plated.....	14.60	11150CP.... PresFlo® Stopper-Brass for 1.625"-16 - Chrome Plated.....	9.65
11131..... PresFlo® "O"-Ring Seal for 1.625"-16 Stopper.....	0.70	11155CP.... PresFlo® Stopper-Plastic for 1.625"-16 - Chrome Plated.....	4.90
11132..... PresFlo® "O"-Ring Seal for 1.865"-11.5 Stopper.....	0.70	96039..... PresFlo® Suction Cup, 1-1/2" (for removing PresFlo® stopper)	0.70

PUSH PULL® & LIFT AND TURN (See Lavatory Section for lav items.)

01010CP.... PP/LT Knob, Brass - Chrome Plated.....	2.45	11360CP.... Strainer Body, 1.865"-11.5, 3.00" Flange - Chrome Plated.....	17.25
01013CP.... PP/LT Stopper, Brass - Chrome Plated.....	11.30	11370CP.... Strainer Body, 1.625"-16, 3.00" Flange - Chrome Plated.....	17.25
01016CP.... PP/LT Strainer Body, 1.865"-11.5-1.25" - Chrome Plated.....	11.50	11380CP.... Strainer Body, 1.625"-14, 3.00" Flange - Chrome Plated.....	17.25
01017CP.... PP only, Strainer Body 1.625"-16-1.0" - Chrome Plated.....	10.40	11420CP.... Strainer Body, 1.749"-12-1.25" (Gopher) - Chrome Plated.....	14.10
01018CP.... PP/LT Strainer Body 1.625"-14-1.25" - Chrome Plated.....	10.80	11492CP.... LT/FA Strainer Body, Zinc, 1.865"-11.5-1.25" - Chrome Plated	7.60
01022CP.... PP/LT Strainer Body 1.625"-16-1.25" - Chrome Plated.....	10.25	11494CP.... PP Strainer Body 1-11/16"-16-1.25" - Chrome Plated.....	9.10
01033CP.... PP/LT Bushing Strainer Body 1.375"-16-1.5" - Chrome Plated	11.70	11507..... Seal, Push Pull® & Lift and Turn, 11/16" dia.....	0.45
11079..... Lift and Turn "D" Pin, Full Length.....	1.95	11513..... 1/4" PIN with Friction Ring.....	1.15
11088..... Lift and Turn "D" Ring.....	0.55	11584..... 3/8" PIN with Friction Ring.....	2.50
11290CP.... PP/LT StopperPlastic - Chrome Plated.....	2.60	11564..... 5/16" PIN with Friction Ring.....	2.85
11307CP.... Universal NuFit Plastic Knob.....	1.25		2.10

TUBULAR PLASTIC PARTS & FITTINGS

01003CP.... 2-Hole Overflow Plate, Metal.....	4.25	11540..... Retainer Plate Screw (usually requires two).....	each 0.80
01024CP.... Overflow Plate Screw, 2.25".....	2.15	11580..... Slip Joint Nut, ABS.....	0.70
10080..... Elbow for Direct Drain - Polypropylene.....	3.70	11581..... Slip Joint Nut, PVC.....	0.70
10081..... Drain Tee for Direct Drain - Polypropylene.....	3.20	11583..... Slip Joint Polywasher.....	0.60
10082..... Overflow Elbow for Direct Drain - Polypropylene.....	3.80	11611..... Tube Extension - ABS - 10-inch.....	3.75
10675..... Overflow Elbow Washer, Foam.....	1.70	11612..... Tube Extension - PVC - 10-inch.....	3.75
10696..... Drain Elbow Washer, 1.5" gray, Coarse Thread.....	0.95	11613..... Tube Extension - ABS - 14-inch.....	3.80
10910..... Brass Drop Cylinder for Tubular Plastic.....	18.95	11614..... Tube Extension - PVC - 14-inch.....	3.80
11000..... Tee, Tubular ABS.....	5.10	11626..... 31-3/4-inch Double-Loop Wire.....	8.35
11001..... Removable Tailpiece Tee, Tubular ABS.....	7.00	11627..... 37-3/4-inch Double-Loop Wire.....	8.60
11003..... Overflow Ell, Tubular ABS.....	5.30	14000..... Tee, Tubular PVC.....	5.10
11004..... Overflow Ell Condensate Drain, Tubular ABS.....	5.30	14001..... Removable Tailpiece Tee, Tubular PVC.....	7.00
11006..... Drop Cylinder with O-Ring, ABS.....	3.80	14003..... Overflow Elbow, Tubular PVC.....	5.30
11019..... Innovator® Overflow Ell, Tubular ABS.....	4.65	14004..... Overflow Ell Condensate Drain, Tubular PVC.....	5.30
11028..... Drain Elbow, Coarse Thread, Tubular, ABS.....	4.00	14019..... Innovator® Overflow Elbow Tubular PVC.....	4.90
11530..... Retainer Plate.....	1.15	14028..... Drain Elbow, Coarse Thread, Tubular PVC.....	4.00

MISCELLANEOUS PARTS

10674..... Beveled Sponge Overflow Ell Washer.....	1.70	11574..... Thread-Gauge Set.....	24.10
10121..... Watco's New Strainer Body Removal Tool.....	20.95	11577..... 3/8" Green Test Plug with "O"-Ring-Type Washer.....	2.50
11111-Set... Keychain Color Sample Set.....	34.80	11587..... 3/8" Test Plug, Metal Threads - for 600 Series.....	10.05
11114..... Test Cap for Innovator® Schedule 40 Series.....	1.30	11641..... Adapter Bar.....	1.55
11573..... 6" Dial Caliper (4-Way Measure).....	48.15	SA01010.... Finish Display Board with Knobs.....	77.80

See previous list of Part Numbers for other finishes available for items indicated with a CP finish.

New Packaging for Carded Items



**Available for most
Trim Kits and Tub Closures**



**To order,
place a “-C”
at end of
part number.**

**Example:
48701-PP-BZ-2P-C**



Policies and Miscellaneous Information

Selling Policy: Possession of our list price or jobber discount sheet is not an offer to sell. All orders are subject to acceptance by the home office in Independence, Missouri.

Taxes and Government Regulations: Sales or manufacturer's tax imposed under any existing or future statutes shall be added to price of the merchandise effective at the time shipment is made.

Cash Discount: 3% 15 days from date of invoice or 2% 10th prox. Net EOM.

Freight Allowance: All goods sold F.O.B. Independence, Missouri. For shipments in the continental United States and Canada, full freight will be allowed on orders of \$1,200 list or more. See Mobile Home & RV Supplies list price sheet for exceptions. We reserve the right to ship the most economical way.

Foreign Shipments (including Alaska & Hawaii) will be allowed full freight, according to the conditions listed above, only to the embarkation point in the continental United States.

Shipping Policy: It will be our policy to ship all orders for standard items within two working days after we receive the order. This policy will be followed unless delays are caused by circumstances beyond our control.

Claims, Shortages and Damage: Any claims for shortages or goods damaged in transit must be made within 10 days after receipt of merchandise. All claims should be made to the delivering carrier by the consignee.

Prices, Designs and Quotations: Prices, designs and dimensions of products are subject to change without notice. Quotations, unless otherwise stated, are for immediate acceptance, and prices quoted are based on the seller's standard tolerances of materials. We reserve the right to invoice all merchandise at prices in effect at the time of shipment.

Cancellations: Orders covering special merchandise are not subject to cancellation without our written permission. Purchaser subject to expense incurred by cancellation of special orders.

Limited Warranty: All Watco bath wastes and accessories carry a limited five-year (5) warranty against defects in material and workmanship.

Watco will repair, replace, or issue credit (at our option) for defective goods that are returned for inspection and found defective. WE WILL NOT BE RESPONSIBLE FOR ANY LABOR CHARGES OR ANY LOSS, INJURY OR DAMAGES WHATSOEVER, INCLUDING INCIDENTAL OR CONSEQUENTIAL DAMAGES.

Returned Merchandise: Written permission must be obtained from a WATCO representative prior to the return of ANY material. Return of non-defective material with Chrome finish is subject to a minimum 25% restocking charge, plus re-boxing charges. Other finishes and special lengths are subject to a minimum of 50% restocking charge, plus re-boxing charges. Defective material is subject to the limited warranty stated above. Credit will NOT be issued for material received at Watco in non-resalable condition or obsolete merchandise.

TechNotes

SCHEDULE 40 OPTIONS

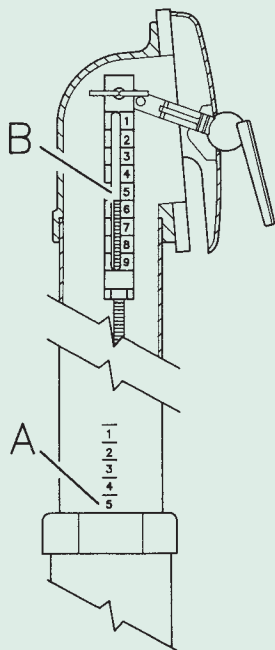
	<u>List</u>
2-Hole Overflow Elbow and Faceplate 2H . . .	N/C
Add Adapter Bar and Star Nut 11	3.25
Condensate Adapter included on bath waste . . . CD . . .	3.95
Custom Laser Etching LE	10.95
One-time set-up charge for new designs	200.00
Drain Extension, ABS D(length) per inch:	0.45
Drain Extension, PVC D(length) per inch:	0.45
<i>(Advise length from center line of drain elbow to center line of tee.)</i>	
Innovator® Sch40 Drains <i>without</i> any testing . . . LMT . . .	<2.55>
Innovator® Overflow Thread Extender OEX . . .	1.55
<i>Factory-installed. (Extends overflow elbow from 1¹/₄" to 1³/₄")</i>	
Metal Stopper for Lift and Turn MS	3.35
Metal Stopper for PRESFLO® MS	5.05
No Tee NTEE	<4.85>
No Tee or Pipe 13	<6.05>
Overflow Extension, ABS . . . EX(length) per inch:	0.45
Overflow Extension, PVC . . . EX(length) per inch:	0.45
<i>(Advise length from center line of overflow elbow to center line of tee.)</i>	
"PUSH" etched both sides of PRESFLO® disk . . E	10.95
Sanitary Tee added to a Half Kit T	2.50
Test Cap (#11114), no membrane (Innovator®) . TC . . .	1.20
Test Kit (600's) using 2-hole overflow elbow with adapter bar, thumb screw, and OE test plug, PVC only . . TK . . .	4.20
Test Kit (for 600 Series), plastic, includes #11575 and #11594 test plugs T6	3.75

TUBULAR PLASTIC OPTIONS

	<u>List</u>
Brass Drop Cylinder (<i>Plastic Trip Levers only</i>) . . BD . . .	7.95
Condensate Drain (Tubular Plastic) CD	4.80
Custom Laser Etching LE	10.95
One-time set-up charge for new designs	200.00
Drain Extension D(length)	6.40
<i>(Advise length from center line of drain elbow to center line of tee.)</i>	
Innovator® Drains <i>without</i> any testing LTK . . .	<3.70>
Metal Stopper for Lift and Turn MS	3.35
Metal Stopper for PRESFLO® MS	5.05
Overflow Extension EX(length)	11.75
<i>(Advise length from center line of overflow elbow to center line of tee.)</i>	
"PUSH" etched both sides of PRESFLO® disk . . E	10.95
Removable Tailpiece (Non-Trip Lever) RT2 . . .	2.15
Removable Tailpiece (Trip Lever only) and "O"-Ring Seal RT1	2.15

QUICK ADJUST® Bath Wastes

QUICK ADJUST® Installation



A Establish rough-in length at overflow elbow scale.

B Adjust threaded-rod end on the linkage clevis until the number matches the number on the overflow elbow scale.

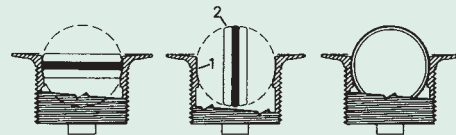
NOTE:

Typical installation for:
 Model 500-TQ (ABS or PVC)
 Model 501-TQ (17ga Brass)
 Model 502-TQ (20ga Brass)

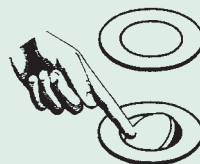


PRESFLO® Bath Wastes

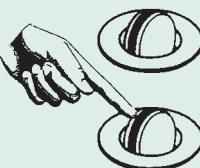
How PRESFLO® Works



A rounded channel [1] is included in the upper part of the strainer body which is compatible with the rounded edges [2] of the PRESFLO® stopper. When the stopper edge is pressed to open, the rounded edges on both sides fit into the rounded channel in the strainer body, forming an operating axis. This happens no matter where you press down on the circular stopper edge.



Closed portion.



Press any edge to open.



Stopper disc, with Buna-N-Seal, in open position.

Press top edge toward side to close.

To remove the PRESFLO® stopper from the strainer body, attach the furnished suction cup and pull straight up.

TechNotes

TUBULAR BRASS OPTIONS

	List
Brass Ferrules (Includes 2) F	4.90
Brass Half Ferrules (Includes 2) HF	3.60
Condensate Drain (Brass Tubular) CD2	7.00
Condensate Drain for Innovator Brass CD3	7.00
Custom Laser Etching LE	10.95
One-time set-up charge for new designs	200.00
Extension - Drain, 17 Gauge D(length) . . . per inch:	1.75
Extension - Drain, 20 Gauge D(length) . . . per inch:	1.65
<i>(Advise length from center line of drain elbow to center line of tee.)</i>	
Extension - Overflow, 17 Gauge EX(length) . . per inch:	1.75
Extension - Overflow, 20 Gauge EX(length) . . per inch:	1.65
<i>(Advise length from center line of overflow elbow to center line of tee.)</i>	
Extension - Tailpiece, 17 Gauge TX(length) . . per inch:	1.75
Extension - Tailpiece, 20 Gauge TX(length) . . per inch:	1.65
Innovator® Drains <i>without</i> any testing LTK	<3.70>
Metal Stopper for Lift and Turn MS	3.35
Metal Stopper for PRESFLO® MS	5.05
"PUSH" etched both sides of PRESFLO® disk . . . E	10.95

Understanding

RI's and SF's...

A Complete Bath Waste is made up of both the RI (Rough-In) and the SF (Stopper/Faceplate).

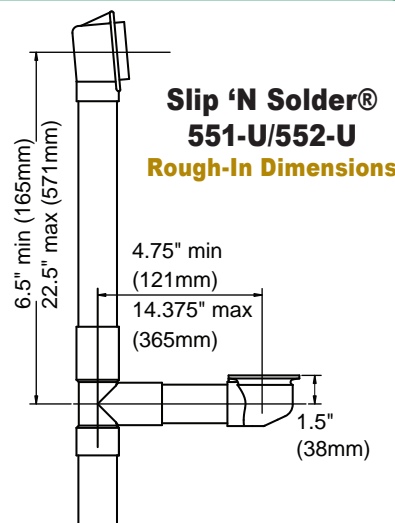
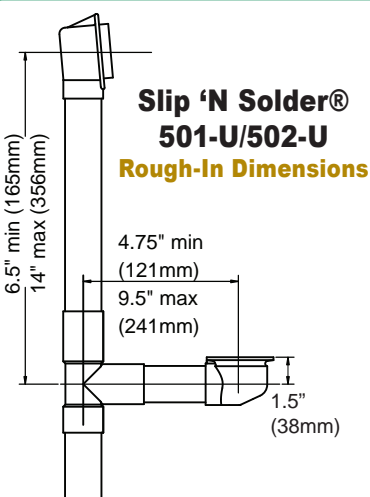
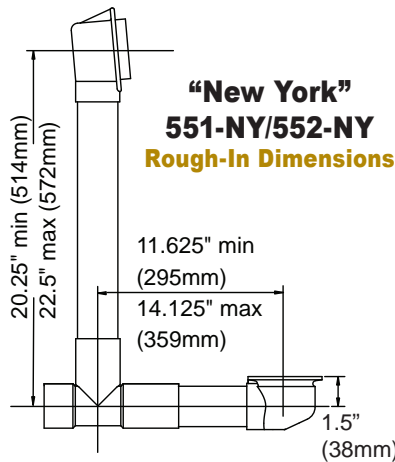
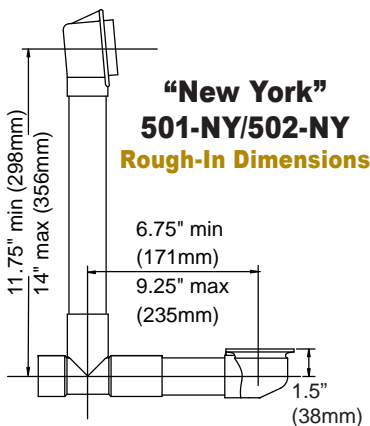
Purchase a Complete Bath Waste if installation will be completed in one operation.

A Rough-In (RI) has all the bath waste parts that go behind and below the tub AND has the Strainer Body. It does NOT have the faceplate or stopper assembly.

Purchase a Rough-In (RI) when the faceplate and stopper will be installed later.

A Stopper/Faceplate (SF) is NOT a trim kit. It usually contains only the stopper and faceplate and is to be installed after installation of the roughed-in part of the bath waste has been completed.

Purchase a Stopper/Faceplate (SF) to complete Rough-In.



Removing Stoppers from Strainer Bodies

Lift and Turn & PUSH PULL® Stoppers:

1. Close stopper.
2. With cloth protecting knob and stopper, use pliers/wrench to turn knob counter-clockwise to unscrew from stopper.
3. Using flat-head screw driver in slot in top of exposed brass pin, turn pin counter-clockwise to remove pin from crossbars in strainer body.

Standard Foot Actuated Stoppers:

1. Remove flat cap of stopper by turning it counter-clockwise.
2. Use flat-head screwdriver to unscrew pin from crossbars in strainer body. **DO NOT DISASSEMBLE REST OF STOPPER.**

Universal NuFit® Foot Actuated Stoppers:

DO NOT REMOVE FOOT ACTUATED STOPPER FROM BODY OF PRODUCT. CONTACT THE FACTORY.

Converting from Coarse-Thread Trip Lever Bath Wastes to:

- Lift and Turn Stopper: Kit 58290-___ pg 50.
- Push Pull® Stopper: Kit 38290-___ pg 50.
- PresFlo® Stopper: Kit 38250-___ pg 50.
- Foot Actuated Stopper: Kit 68290-___ pg 50.

Call WATCO representative for assistance.

Representative Questions?

**Call Watco For Assistance
1-800-821-8576**



WATCO MANUFACTURING COMPANY

1220 South Powell Road • Independence, MO 64057-2724

PHONE: 816-796-3900 • 800-821-8576 • FAX: 816-796-0875 • 800-399-2826 • www.watcomfg.com

A Division of WCM Industries, Inc.