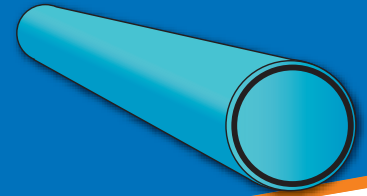




C900: PVC Pressure Pipe

SPECIFICATION DATA



Diamond (C900) PVC Pipe (4" through 12") is made of 12454 compound per ASTM D1784, in accordance with the dimensional, chemical, and physical requirements of AWWA C900.

Diamond (C900) PVC Pipe bears the mark of NSF, International (NSF), the listing of Underwriters Laboratory, Inc. (UL), and (DR14 & DR18) bears the listing of Factory Mutual(FM).

Diamond (C900) PVC Pipe utilizes a gasket, per ASTM F477, to seal the integral bell socket to the spigot of the next joint (which conforms to the requirements of ASTM D3139.) Each male end is beveled to facilitate joint assembly, and the spigot is referenced marked to ensure proper insertion depth. Diamond furnished lubricant is to be used in the joining process.



Diamond C900 is supplied in 20 foot laying lengths.



Underwriter Laboratories Inc.®

Physical Properties of PVC 12454:

Property	ASTM Test	Minimum
Specific Gravity	D792	1.40
Tensile Strength, psi	D638	7,000
Tensile Modulus, psi	D638	400,000
IZOD Impact Strength	D256	.65ft., lb./in.

SHORT FORM Specification for Diamond C900 PVC Water Pipe

Diamond C900 PVC Water Pipe shall be made of compounds conforming to ASTM D1784 with a cell classification of 12454. Diamond C900 shall meet all the dimensional, chemical, and physical requirements as outlined in AWWA C900 and will be supplied in 20 foot laying lengths. Joints shall meet the requirements of ASTM D3139 and shall be formed using Rieber Technology. Gaskets shall meet the requirements of ASTM F477. Potable water pipe shall be manufactured from National Sanitation Foundation (NSF) approved compounds.

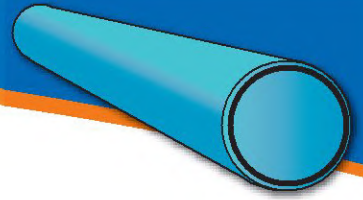


DIAMOND PLASTICS®
CORPORATION

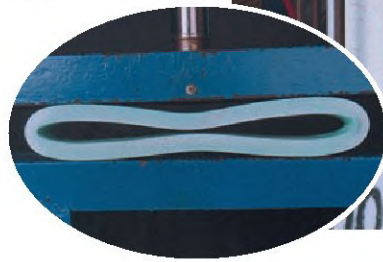
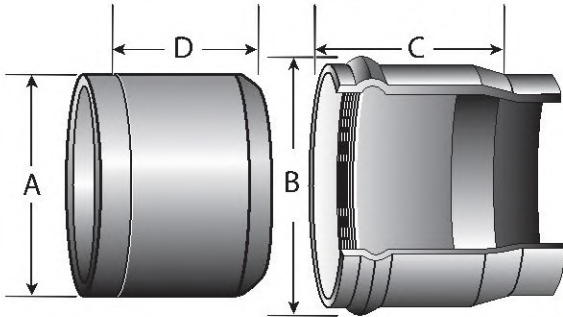


Corporate Headquarters • 1212 Johnstown Road • P.O.Box 1608 • Grand Island, NE 68802-1608

DISTRIBUTION PIPE FOR THE 21st CENTURY



Reiber Joint Illustration



Extreme Testing Conditions
 C900 PVC pressure pipe, available in pressure ratings for a wide range of water transfer applications (Available in sizes from 4" through 12")

C900™		AWWA C900 SPECIFICATION DATA					Tough	
Nominal Pipe Size in. (mm)	Outside Diameter A Inches	Bell Diameter B Inches	Approximate Bell Depth C Inches	Spigot Insert Mark D Inches	C900 DR-14 305 psi Min Wall (t) Inches	C900 DR-18 235 psi Min Wall (t) Inches	C900 DR-25 165 psi Min Wall (t) Inches	
4" (100)	4.800	6-1/2"	6	5	0.343	0.267	0.192	
6" (150)	6.900	9-1/4"	6.5	6	0.493	0.383	0.276	
8" (200)	9.050	11-3/4"	7	6.5	0.646	0.503	0.362	
10" (250)	11.100	14-1/4"	7.5	7	0.793	0.617	0.444	
12" (300)	13.200	16-3/4"	8	7.5	0.943	0.733	0.528	

"Possession of this page does not constitute an offer of sale"



Corporate Headquarters • 1212 Johnstown Road • P.O. Box 1608 • Grand Island, NE 68802-1608