

INSTALLATION AND SAFETY INSTRUCTIONS

FOR YOUR SAFETY

WARNING: BE SURE THE ELECTRICITY TO THE WIRES YOU ARE WORKING ON IS SHUT OFF; EITHER THE FUSE IS REMOVED OR THE CIRCUIT BREAKER IS SHUT OFF.

GENERAL

You don't need special tools to install this fixture. Be sure to follow the steps in the order given. Under no circumstances should a fixture be hung on house electrical wires, nor should a swag type fixture be installed on a ceiling which contains a radiant type heating system. Read instructions carefully. If you are unclear as to how to proceed, consult a qualified electrician.

NOTE: Proper wiring is essential for the safe operation of this fixture.

FIXTURE ASSEMBLY

Carefully removed the fixture from the carton and check that all parts are included as shown in figure. Be careful not to misplace any of the screws or parts which are needed to install this fixture.

NOTE: This fixture can be mounted in two ways: SEMI FLUSH OR PENDANT.

PENDANT INSTALLATION

CAUTION: Please buy one hardware bag for pendant installation (not provide) and assembly according to ASSEMBLY INSTRUCTION SHEET OF PART BAG

SEMI FLUSH INSTALLATION

IMPORTANT: Do not attach fixture directly to outlet box.

STEP 1: Thread nut (D) onto the nipple (E), insert the washer (C) and thread the nipple (E) into the match hole of mounting bar (A).

STEP 3: Secure mounting bar (A) to outlet box with outlet box screws (B).

GROUNDING INSTRUCTIONS

STEP 1: The green grounding screw is to be inserted into the hole with two raised dimples provided on the mounting bar. Wrap the ground wire from the fixture (if supplied) and the ground wire from the outlet box (bare metal) or green insulated wire around the green grounding screw on the mounting bar. If uninstalled wire is on the mounting bar, connect the ground wire from the fixture (if supplied) and the outlet box to it using a small wire connector (not supplied).

NOTE: Underwriters Laboratories does not require all fixtures to have ground wires. These fixtures still meet all U. L. specifications.

NEVER CONNECT GROUND WIRE TO BLACK OR WHITE POWER SUPPLY WIRES.

STEP 2: Take note of the color of the wire(s) on your fixture. Identify which group your fixture wire(s) falls into and connect the wires according to the directions below:

GROUP A: Connect to Black House Wire	GROUP B: Connect to White House Wire
BLACK	WHITE
*PARALLEL WIRE (round & smooth)	*PARALLEL WIRE (square & ridged)
WHITE OR GREY WITH TRACER	WHITE OR GREY WITHOUT TRACER
BROWN GOLD OR BLACK WITHOUT TRACER	BROWN, GOLD OR BLACK WITH TRACER

*NOTE: When parallel wire (SPT-1 & SPT-2) is used, the tracer wire is square shaped or ridged and the less tracer wire is round in shape or smooth (seen best when viewed from wire end.).

STEP 3: Take your fixture wire(s) from group A and place evenly against the black wire from the outlet box. Do NOT twist wires together before using wire connectors.

STEP 4: Fit a wire connector over the wires and screw the connector clockwise until you feel a firmness.

STEP 5: Try gently to pull the connector off the wires. If you can pull the connector off, carefully re-do steps 3 and 4, as above, and check again for a firm connection.

STEP 6: Connect the fixture wire from group B to the white wire from the outlet box in the same manner. Make sure no bare wires can be seen outside wire connectors.

FINAL ASSEMBLY

STEP 1: (FOR SEMI FLUSH) After wires are connected, tuck them carefully inside outlet box. Raise the canopy (F) allowing the

nipple (E) to protrude through the holes in the canopy (F), and secure with the ball (G).

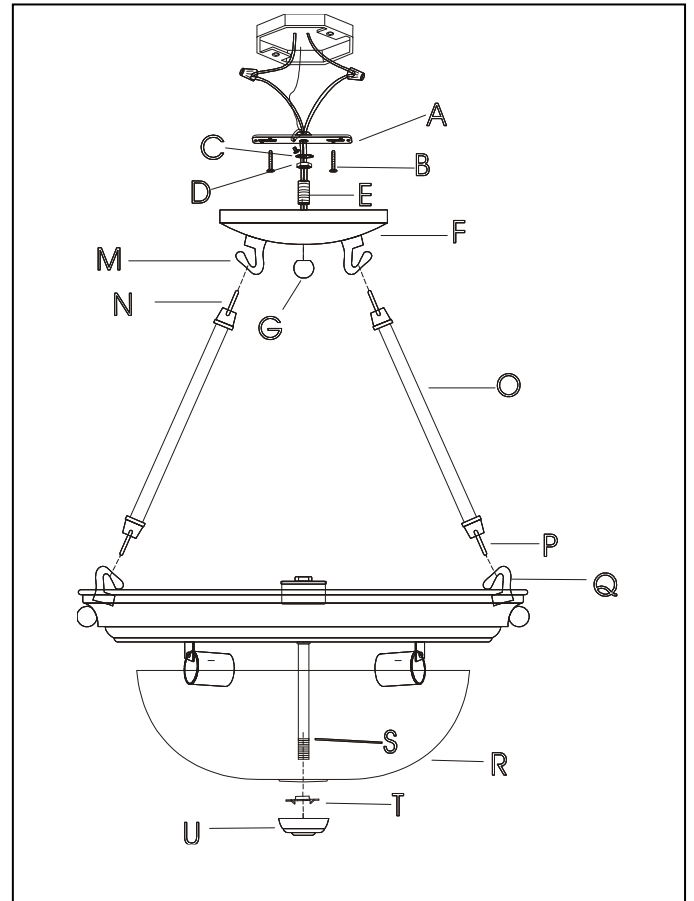
STEP 2: Connect the loops (N) of the arms (O) to the hooks (M) and connect the loops (P) of the arms (O) to the hooks (Q).

STEP 3: Install lamps. (Please do not exceed the maximum capacity recommended on the socket.).

STEP 4: Slide the glass (R) and the washer (T) onto the nipple (S) and secure with the cap (U).

CLEANING

To clean, wipe fixture with a soft cloth. Clean glass with a mild soap. Do not use abrasive materials such as scouring pads or powders, steel wool or abrasive paper.



ITEM: 60-1259 CONVERTIBLE 60-1261 CONVERTIBLE

60-200 CONVERTIBLE 60-201 CONVERTIBLE

60-202 CONVERTIBLE 60-208 CONVERTIBLE

60-209 CONVERTIBLE 60-210 CONVERTIBLE

60-216 CONVERTIBLE 60-217 CONVERTIBLE

60-218 CONVERTIBLE 60-224 CONVERTIBLE

60-225 CONVERTIBLE 60-226 CONVERTIBLE

60-232 CONVERTIBLE 60-233 CONVERTIBLE

60-234 CONVERTIBLE 60-240 CONVERTIBLE

60-241 CONVERTIBLE 60-242 CONVERTIBLE

60-1258 CONVERTIBLE