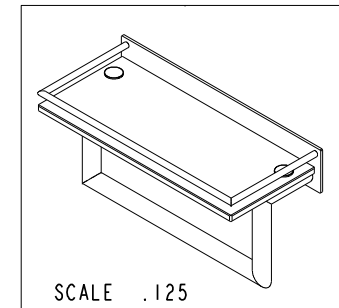
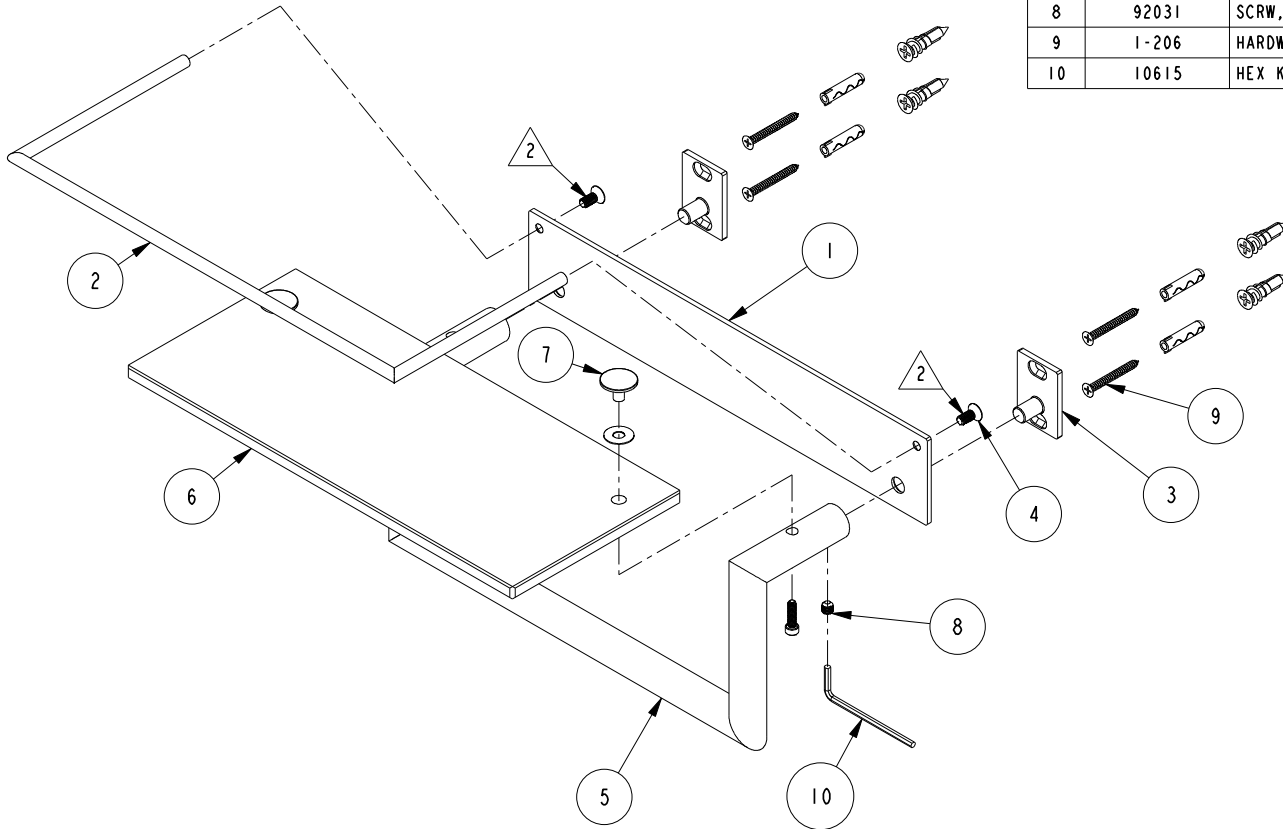


NOTES:

1. TO INSPECT ASSEMBLY, FOLLOW FIRST ARTICLE AND IN PROCESS INSPECTION SHEET.

2. APPLY PERMANENT THREAD LOCKER (LOCTITE 680)



BILL OF MATERIAL (CURRENT LEVEL)				
ITEM	PT/ASSY	DESCRIPTION	TYPE	QTY.
1	40827	12" GALLERY SHELF BACKPLATE	PART	1
2	40825	12" GALLERY RAIL	PART	1
3	28XXS	MOUNTING BRACKET	PART	2
4	92911	SCRW, M5 X .8 X 12 HEX FLT HD SS	PART	2
5	2819-12	12" SHELF W/ TOWEL BAR TUBE	PART	1
6	2834-12TACL	12" SHELF GLASS	PART	1
7	7-672	GLASS MOUNTING HARDWARE KIT	ASSEMBLY	2
8	92031	SCRW, M6 X 1 X 6 SKT HD CUP PT W/ SELF LOC SS	PART	2
9	1-206	HARDWARE PACK	ASSEMBLY	2
10	10615	HEX KEY, 3MM ALLOY STEEL	PART	1

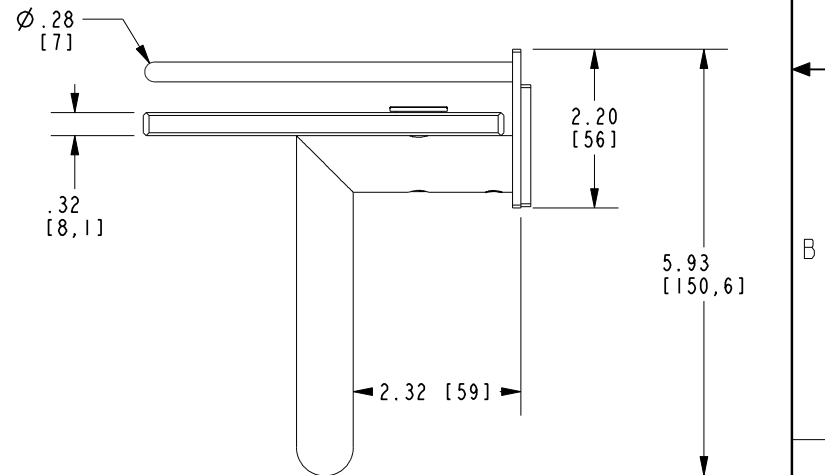
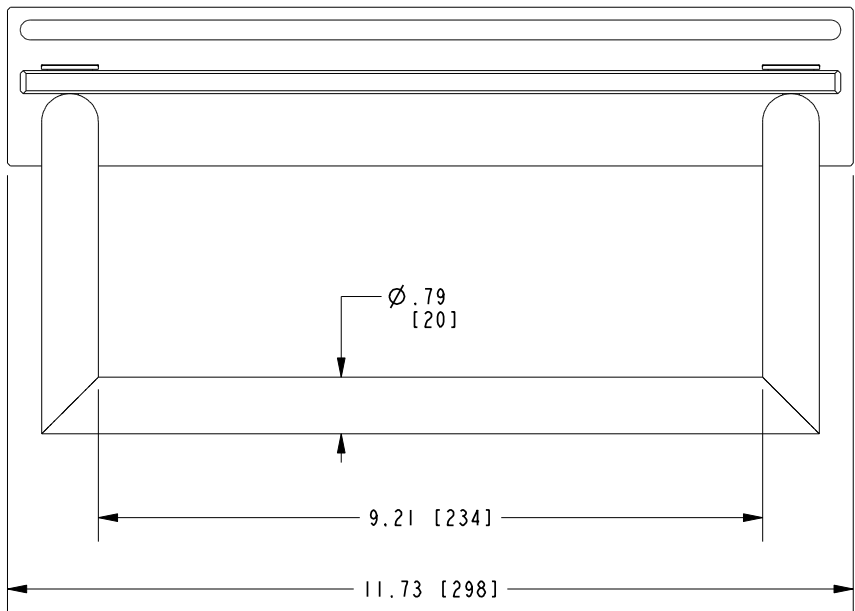
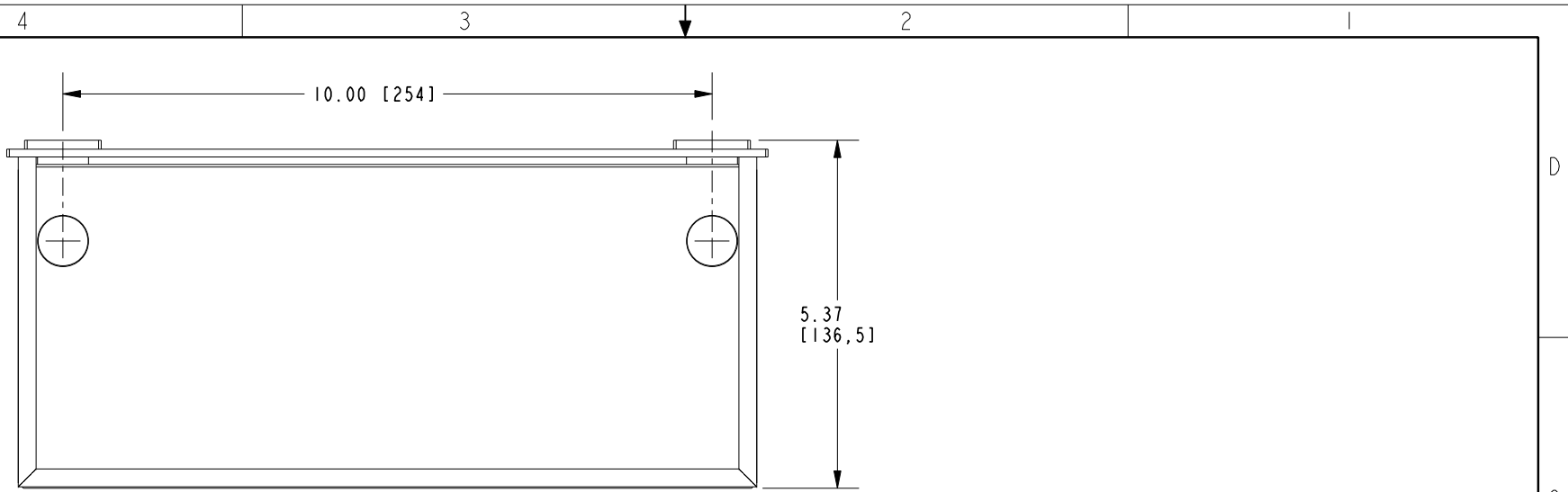
-	C	EN-4430	01/28/22	R. S.
-	B	EN-4091	02/03/20	R. S.
-	A	EN-4032	11/22/19	R. S.
-	-	RELEASED	02/16/05	-
ZONE	REV	DESCRIPTION	DATE	APPROVED

COPYRIGHT 2005 BRASSTECH, INC. THESE DRAWINGS AND THE DESIGNS DEPICTED HEREIN ARE THE PROPRIETARY PROPERTY OF BRASSTECH. ANY USE OR REPRODUCTION IS SUBJECT TO THE EXPRESS APPROVAL OF BRASSTECH. UNAUTHORIZED USE IS STRICTLY PROHIBITED. ALL RIGHTS RESERVED.

TESTING	-	-	-
ASSEMBLY	-	-	-
PLATING	-	-	-
POLISHING	-	NEXT ASSY	USED ON
MACHINING	-	APPLICATION	
TOOLING FIXTURE #	REMOVE ALL BURRS AND SHARP EDGES		

UNITS ARE: INCHES [MM]		
TOLERANCES ARE:		
FRACTIONS	DECIMALS	ANGLES
±1/16"	.X ±.1 [2.5]	±1°
	.XX ±.06 [1.5]	
(X.XXX) DENOTES CRITICAL DIMS. ALL THREADS ARE CRITICAL		
DRAWN	R.S.	02/03/20
CHECKED	J.M.	02/03/20
APPROVED	J.M.	02/03/20

BRASSTECH		2001 CARNEGIE AVE. SANTA ANA, CA 92705 (949) 417-5207	
INCORPORATED			
12" SHELF W /TOWEL BAR			
DWG NO.		REV	
2819RT-12		C	
SCALE	REF.	SHEET	OF
.250	-	1	2



BRASSTECH		2001 E. CARNEGIE AVE. SANTA ANA, CA 92705 (949) 417-5207	
DWG NO.	2819RT-12	REV	C
SCALE	.067	REF.	-
SHEET 2		OF 2	