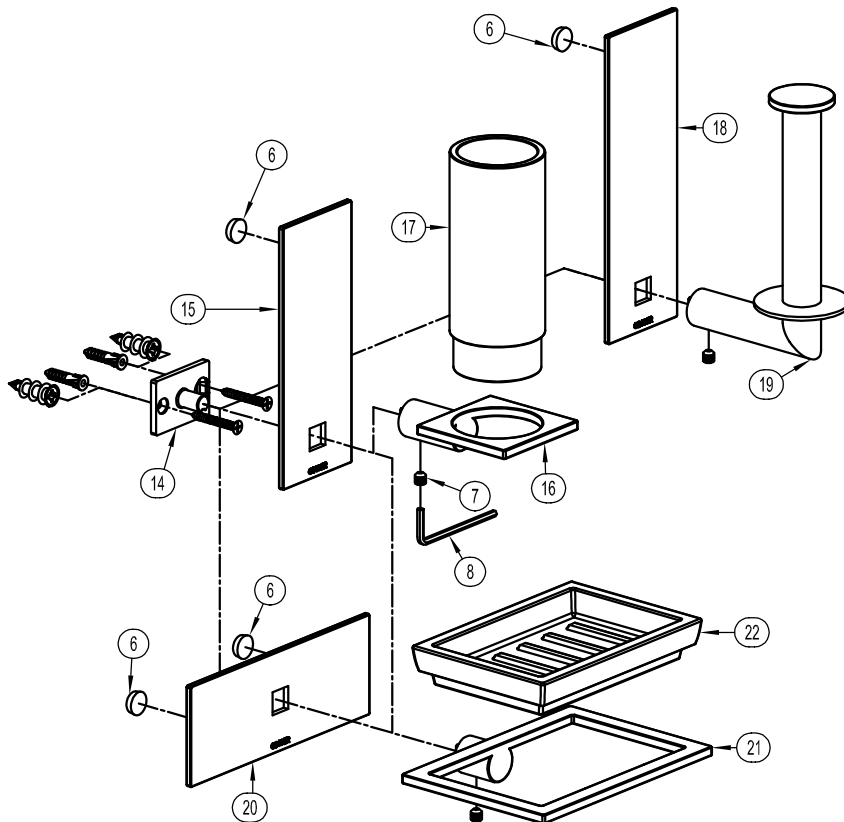
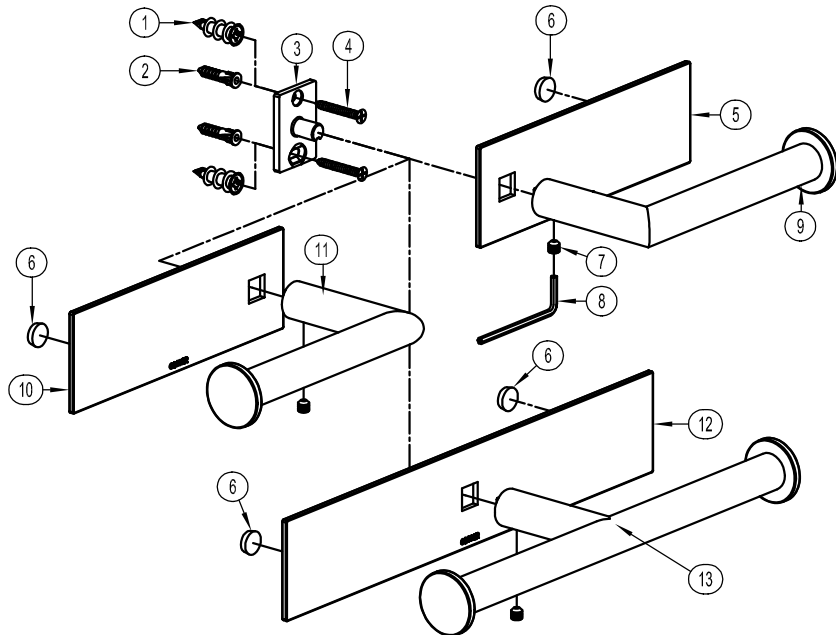




SURFACE SINGLE POST ACCESSORIES

ASSEMBLED CONFIGURATION	PART NO.
OPEN TOILET TISSUE HOLDER- RIGHT	2806R
OPEN TOILET TISSUE HOLDER- LEFT	2806L
OPEN TOILET TISSUE HOLDER- DOUBLE	2809
SPARE TOILET TISSUE HOLDER.	2807
SOAP DISH WITH-HOLDER.	2812
SOAP DISH WITH-HOLDER HORIZONTAL	2812H
TUMBLER W-HOLDER	2813



Parts List

ITEM	PART NAME	PART NO.
1	DRY WALL ANCHOR	EZMZ
2	No.8 WALL ANCHOR	CA
3	MOUNTING BRACKET - SINGLE	28XXG
4	No. 8 x 1 1/4" TAP SCREW	8-1.25PFS
5	5" BACKPLATE - SINGLE LEFT	2800/5SL*
6	BUMPER	B2800
7	M6 x 6 SET SCREW	SM6-6S
8	M3 HEX KEY	M3HK
9	OPEN TOILET TISSUE HOLDER ASSEMBLY LEFT	2806PLA*
10	5" BACKPLATE - SINGLE RIGHT	2800/5SR*
11	OPEN TOILET TISSUE HOLDER ASSEMBLY RIGHT	2806PRA*
12	10" BACKPLATE - SINGLE CENTER	2800/10SC*
13	DOUBLE OPEN TOILET TISSUE HOLDER ASSEMBLY	2809PA*
14	MOUNTING BRACKET - UPRIGHT	28XXU
15	4" BACKPLATE - SINGLE UPRIGHT	2800/4SU*
16	TUMBLER HOLDER	2813P*
17	TUMBLER- CLEAR GLASS TUMBLER- FROSTED GLASS	2800TCL 2800TFW
18	5" BACKPLATE- SINGLE UPRIGHT	2800/5SU*
19	SPARE TOILET TISSUE HOLDER POST ASSEMBLY	2807PA*
20	4" BACKPLATE- SINGLE CENTER	2800/4SC*
21	SOAP DISH HOLDER	2812P*
22	SOAP DISH- FROSTED GLASS SOAP DISH- CLEAR GLASS	1800SFW 1800SCL

* REQUIRES FINISH CODE BELOW

- 15 SATIN NICKEL
- 26 POLISHED CHROME