

Lever Handle Metering Handwash Faucet

TECK®
COMMERCIAL

DELTA®

SPECIFICATION: (example)



- **HEAVY-DUTY CAST BRASS**  single hole mount faucet
- Polished chrome plated finish
- Vandal-resistant ADA lever handle 
- Delta® metering slow close cartridge
- Two body mounted stainless steel Anti-rotation locking pins
- Vandal-resistant non-aerating spray
- **Total flow not to exceed 0.25 gallon per handle activation**

- 87T105** 0.5 gpm (1.9 L/min)
- 87T905** 0.35 gpm (1.32 L/min)



87T105

SPECIFICATION: (example)

- **HEAVY-DUTY CAST BRASS**  single hole mount faucet
- Polished chrome plated finish
- Vandal-resistant ADA lever handle 
- Delta® metering slow close cartridge
- Two body mounted stainless steel Anti-rotation locking pins
- Mixing tee and inlet checks
- Vandal-resistant non-aerating spray
- **Total flow not to exceed 0.25 gallon per handle activation**

- 87T111** 0.5 gpm (1.9 L/min)
- 87T911** 0.35 gpm (1.32 L/min)



87T111



87T151

COVERPLATE

SPECIFICATION: (example)

- 87T151** with center faucet hole, two holddown shanks
- **HEAVY DUTY FORGED CAST BRASS**
- 102mm (4") center
- Polished chrome plated finish
- With locating holes for 87T104 to 87T911 metering faucets with anti-rotation locking pins
- **For secure Public Washroom Faucet/Fixture Installations**

Engineer/Architect Approval

Model Specified:

Approval:

Date:

Refer to www.specselect.com for individual models.

Flow Rates are at 60 PSI.
Note: Use this page front and back as a product submittal sheet.

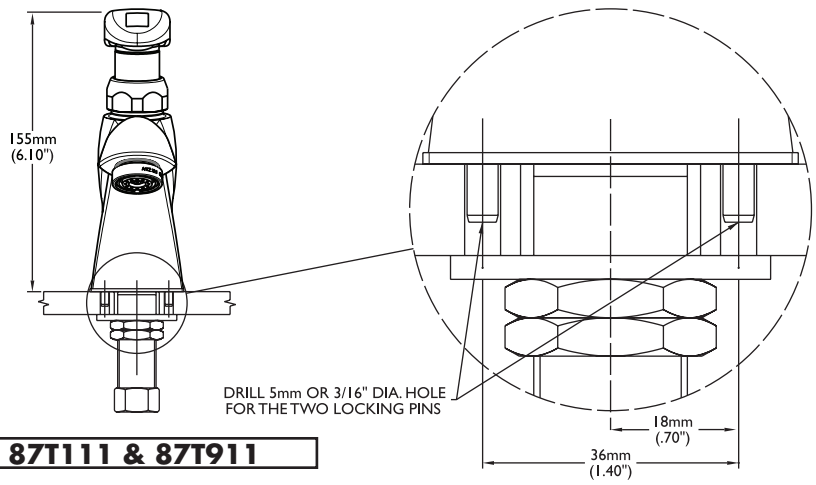
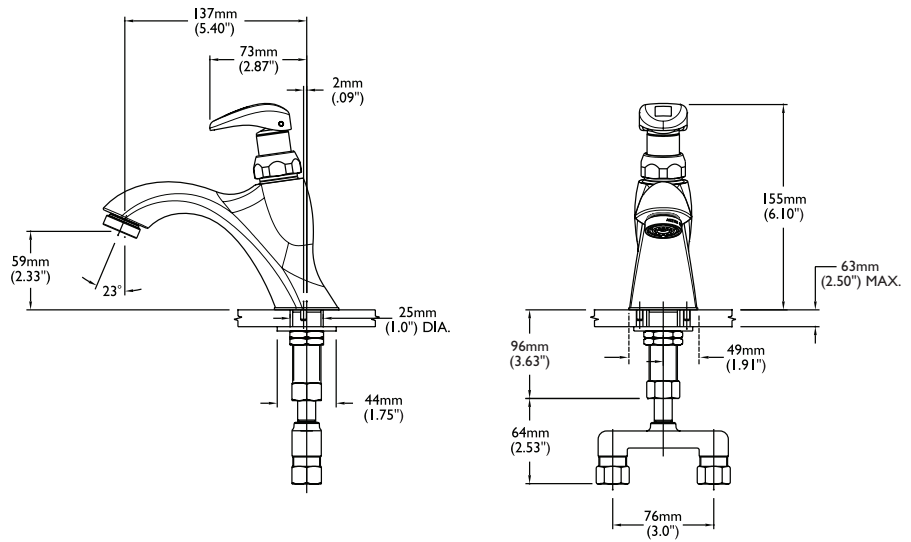
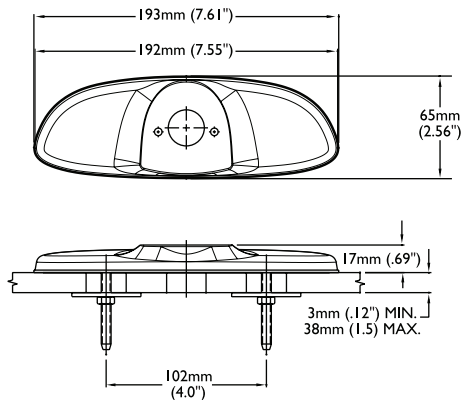
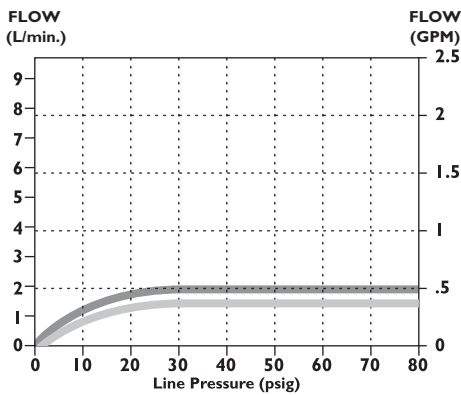
Delta reserves the right (1) to make changes in specifications and materials, and (2) to change or discontinue models, both without notice or obligation. Dimensions are for reference only. See current full-line price book or www.specselect.com for finish options and product availability.

DSP-87TLH

Approvals:

- CSA certified
- Complies to ASME A112.18.1/CSA B125.1
- Indicates compliance to ICC/ANSI A117.1
- Verified compliant with 0.25% weighted average Pb content regulations

(Contact Delta Representative for State and/or Local Approvals.)

87T105 - 87T911 - LOCKING PINS

87T111 & 87T911

87T151

FLOW RATE vs PRESSURE

Spout Outlets

- 0.5 gpm (1.9 L/min) Outlet
- - - 0.35 gpm (1.32 L/min) Outlet

INLETS - 1/2" MIP/Coupling Nuts

Note: Measurements may vary \pm 6mm (0.25")

Refer to www.specselect.com for individual models.

Note: Use this page front and back as a product submittal sheet.