



**RESIDENTIAL & LIGHT DUTY COMMERCIAL
REPLACEMENT PARTS LIST**

**Interim Series Through-The-Wall (TTW®)
Energy Saver (M1TW, M2TW, GXTW) Models
Energy Saver (TW) Models**

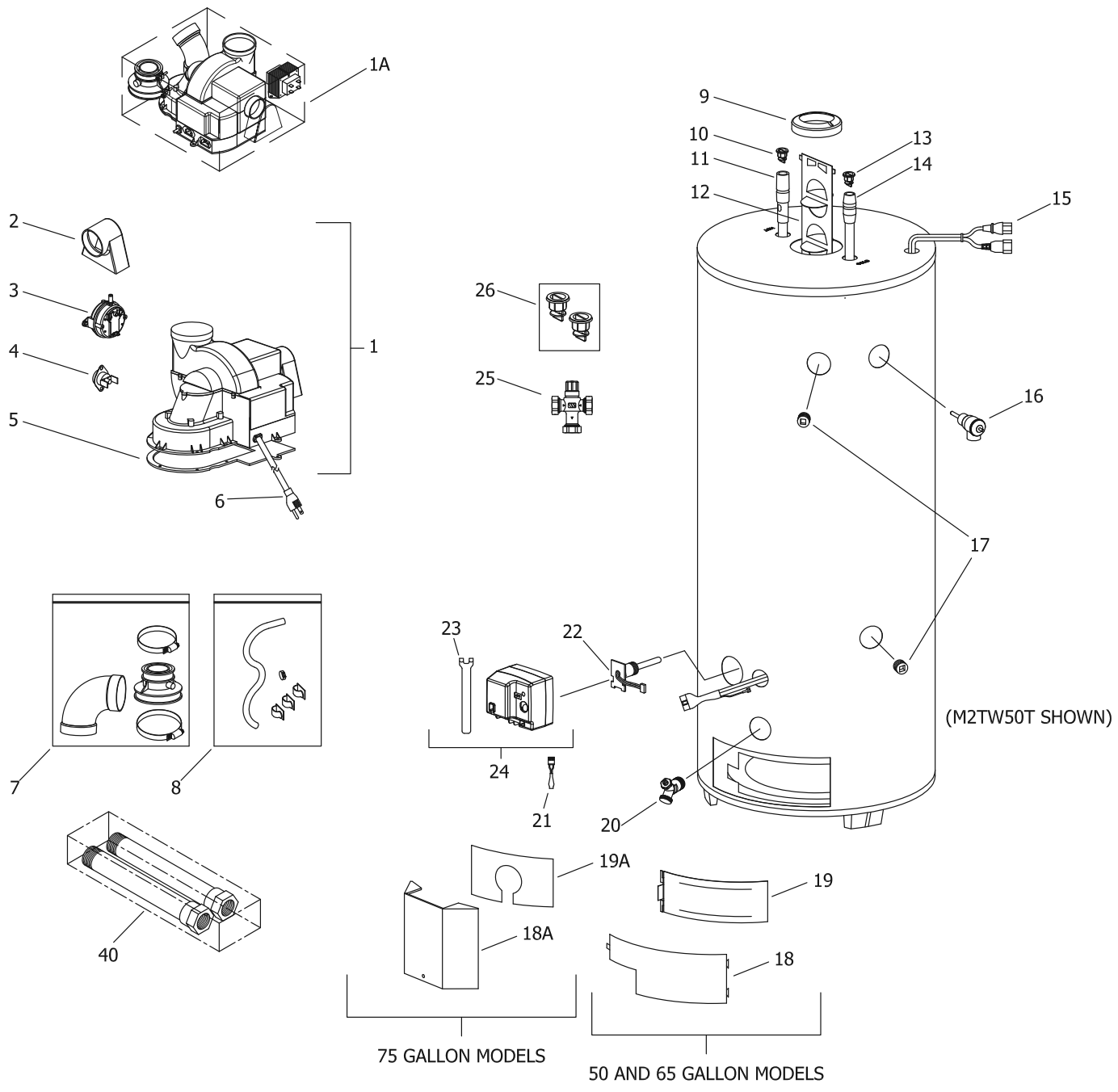


Includes Hydrojet®
Total Performance System

***Effective: MAY 2011
ECO 7668***

**NOTE: BOTH MODEL AND SERIAL
NUMBERS ARE REQUIRED FOR
ORDERING REPLACEMENT PARTS**

Dimensions and specifications
subject to change without notice.



Item	Description	Model	Model	Model	Model
		M1TW40S*(BN,CX)(-1)	M1TW50S*(BN,CX)(-1)	M2TW50T*(BN,CX)(-1)	M2TW65T*(BN,CX)(-1)
1	Blower Complete (0ft to 2000ft)	265-45584-00	265-45584-00	265-45583-00	265-45583-00
	Blower Complete High Altitude (Over 2000ft)	243-45987-00	243-45987-00	243-45986-00	243-45986-00
1A	Universal SVC Blower Kit	265-47200-00	265-47200-00	---	---
2	Air Mixing Inlet	239-45868-00	239-45868-00	239-45868-00	239-45868-00
3	Pressure Switch (0ft to 2000ft)	239-45867-01	239-45867-01	239-45867-02	239-45867-02
	Pressure Switch (Over 2000ft)	239-45867-03	239-45867-03	239-45867-04	239-45867-04
4	Blower Temperature Switch	239-48752-00	239-48752-00	239-48752-00	239-48752-00
5	Blower Gasket	239-45866-00	239-45866-00	239-45866-00	239-45866-00
6	Blower Power Cord	239-45990-00	239-45990-00	239-45990-00	239-45990-00
7	2" Exhaust Adaptor w/Vent Terminal	239-46263-00	239-46263-00	---	---
	3" Vent Adaptor w/Vent Terminal	---	---	239-46264-00	239-46264-00
8	Condensate Hose Kit (Optional)	239-45875-00	239-45875-00	239-45875-00	239-45875-00
9	Flue Reducer	---	---	243-42572-00	243-42572-00
10	Heat Trap Outlet	239-45167-00	239-45167-00	239-45167-00	239-45167-00
11	Hot Water Outlet Anode (Magnesium) ▲	224-32731-89	224-32731-89	224-32731-86	224-32731-83
	Hot Water Outlet Anode (Aluminum) ▲	224-32999-22	224-32999-22	224-32999-21	224-32999-06
	Hot Water Outlet Anode (A420 Aluminum) ▲#	224-49560-08	224-49560-08	224-49560-08	224-49560-08
12	Flue Baffle	243-45372-00	243-45372-00	243-45373-00	243-45373-00
12A	Flue Core	---	---	---	---
13	Heat Trap Inlet	239-45073-00	239-45073-00	239-45073-00	239-45073-00
14	Cold Water Inlet Dip Tube (PPDTA) ▲▲	229-39625-20	229-39625-20	229-45398-01	229-45398-02
	Cold Water Inlet Dip Tube (PSDTA) (NC Code) ▲▲▲	229-39628-20	229-39628-20	229-45092-01	229-45092-03
15	Blower Harness	239-45617-01	239-45617-01	239-45617-02	239-45617-02
16	T&P Relief Valve	230-32920-01	230-32920-01	230-32920-01	230-32920-01
17	3/4 NPT Pipe Plug	---	---	239-11638-00	239-11638-00
18	Outer Door	243-41061-00	243-41061-00	243-41061-00	243-41061-00
18A	Outer Door	---	---	---	---
19B	Outer Door	---	---	---	---
19	Inner Door Complete (Sliding)	243-36739-02	243-36739-02	243-36739-02	243-36739-02
19A	Inner Door Complete (Some 75 gal. models) ¹	---	---	---	---
19B	Right Side Inner Door Complete	---	---	---	---
19C	Left Side Inner Door Complete	---	---	---	---
20	Brass Drain Valve	265-42351-02	265-42351-02	265-42351-02	265-42351-02
21	Simulated Resistive Device	239-45949-00	239-45949-00	239-45949-00	239-45949-00
21A	Sensor Harness	---	---	---	---
21B	Sensor	---	---	---	---
21C	Sensor Clip	---	---	---	---
22	Thermowell	233-45651-01	233-45651-01	233-45651-02	233-45651-01
23	Gas Control Valve Service Tool	239-45991-00	239-45991-00	239-45991-00	239-45991-00
24	Kit-Gas Control Valve Nat. w/Service Tool	239-45613-01	239-45613-01	239-45613-01	239-45613-01
	Kit-Gas Control Valve LP w/Service Tool	239-45614-01	239-45614-01	239-45614-01	239-45614-01
25	ASSE Approved Mixing Valve (Optional)	239-43740-01	239-43740-01	239-43740-01	239-43740-01
25A	Integrated Mixing Device	---	---	---	---
26	Heat Trap Insert Kit (Optional)	265-45419-00	265-45419-00	265-45419-00	265-45419-00
27	Screw - 10-12X3/4 Hex/ Washer	---	---	---	---
28	Screw - 8-15X3/4 Hex/ Washer	---	---	---	---

*Applies to all warranties

**Ordering a complete burner assembly may increase delivery time.

Please order the specific component required for the quickest delivery.

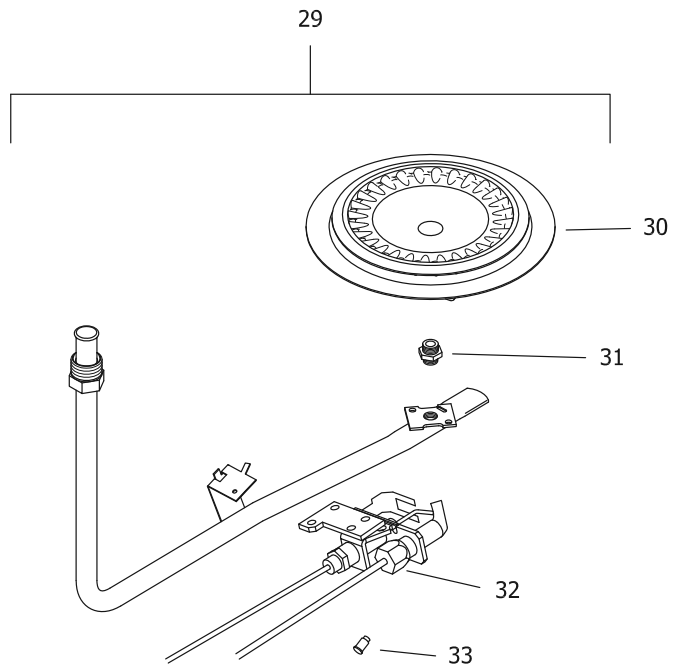
A420 Anode may need to be cut to length

▲ Order with item 10.

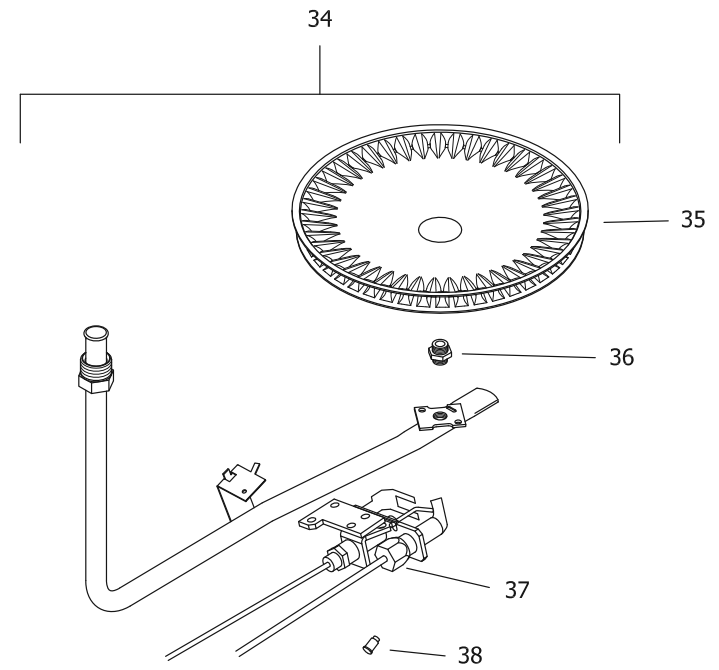
▲▲ Order with item 13.

¹ For 75 gal models with serial numbers prior to FD11847877.

² For 75 gal. models with serial number FD11847877 and after.



NATURAL GAS (BN) BURNER ASSEMBLY



LP GAS (SX) BURNER ASSEMBLY

LP GAS (SX) BURNER ASSEMBLY TO REPLACE LP GAS (CX) BURNER ASSEMBLY
ON ALL MODELS EXCEPT 75 & 100 GAL. MODELS

Item	Description	Model M1TW40S*(BN,CX)(-1)	Model M1TW50S*(BN,CX)(-1)	Model M2TW50T*(BN,CX)(-1)	Model M2TW65T*(BN,CX)(-1)
<u>Natural Gas (BN) Burner Assembly</u>					
29	Nat. Gas (BN) Burner Assembly Complete**	265-47439-06-32	265-47439-09-32	265-47439-06-26	265-47439-09-26
	Nat. Gas (BN) Burner Assembly Complete**	---	---	---	---
30	Nat. Gas (BN) Burner Head	228-42506-00	228-42506-00	228-42506-00	228-42506-00
	Nat. Gas (BN) Burner Head	---	---	---	---
31	Nat. Gas (BN) Main Burner Orifice (0ft to 2000ft)	234-41034-32	234-41034-32	234-41034-26	234-41034-26
	Nat. Gas (BN) High Altitude Orifice (2001ft to 5000ft)	234-41034-33	234-41034-33	234-41034-30	234-41034-30
	Nat. Gas (BN) High Altitude Orifice (5001ft to 8000ft)	234-41034-35	234-41034-35	234-41034-30	234-41034-30
	Nat. Gas (BN) High Altitude Orifice (8001ft & above)	234-41034-38	234-41034-38	234-41034-31	234-41034-31
32	Nat. Gas Pilot Assembly w/Electrode	233-45653-05	233-45653-05	233-45653-05	233-45653-05
33	Nat. Gas Pilot Orifice	234-45869-01	234-45869-01	234-45869-01	234-45869-01
<u>LP Gas (SX) Titanium Stabilized Stainless Steel Burner Assembly</u>			<u>Replacement for LP Gas (CX) Cast Iron Burner</u>		
34	LP Gas (SX) Burner Assembly Complete**	265-47440-09-50	265-47440-15-50	265-47440-10-43	265-47440-16-43
	LP Gas (SX) Burner Assembly Complete**	---	---	---	---
35	LP Gas (SX) Burner Head	228-46964-00	228-46964-00	228-47000-00	228-47000-00
36	LP Gas (SX) Main Burner Orifice (0ft to 2000ft)	234-47064-50	234-47064-50	234-47064-43	234-47064-43
	LP Gas (SX) Main Burner Orifice (0ft to 2000ft)	---	---	---	---
	LP Gas (SX) High Altitude Orifice (2001ft to 5000ft)	234-47064-51	234-47064-51	234-47064-46	234-47064-46
	LP Gas (SX) High Altitude Orifice (5001ft to 8000ft)	234-47064-52	234-47064-52	234-47064-47	234-47064-47
	LP Gas (SX) High Altitude Orifice (8001ft & above)	234-47064-53	234-47064-53	234-47064-47	234-47064-47
37	LP Gas Pilot Assembly w/Electrode	233-45653-04	233-45653-04	233-45653-04	233-45653-04
38	LP Gas Pilot Orifice	234-45869-02	234-45869-02	234-45869-02	234-45869-02
-	LP to Nat. Gas Conversion Kit (Norm. Alt.)	265-46493-01	265-46493-05	265-46493-10	265-46493-12
-	LP to Nat. Gas Conversion Kit (High Alt.)	265-46493-03	265-46493-07	265-46493-13	265-46493-15
-	LP to Nat. Gas Conversion Kit (Norm. Alt.)	---	---	---	---
-	LP to Nat. Gas Conversion Kit (High Alt.)	---	---	---	---
39	Inner Door Gasket Kit	---	---	---	---
40	8" Extender Orange Label Nipple (SVC)	239-48429-00	239-48429-00	239-48429-00	239-48429-00

*Applies to all warranties

**Ordering a complete burner assembly may increase delivery time.

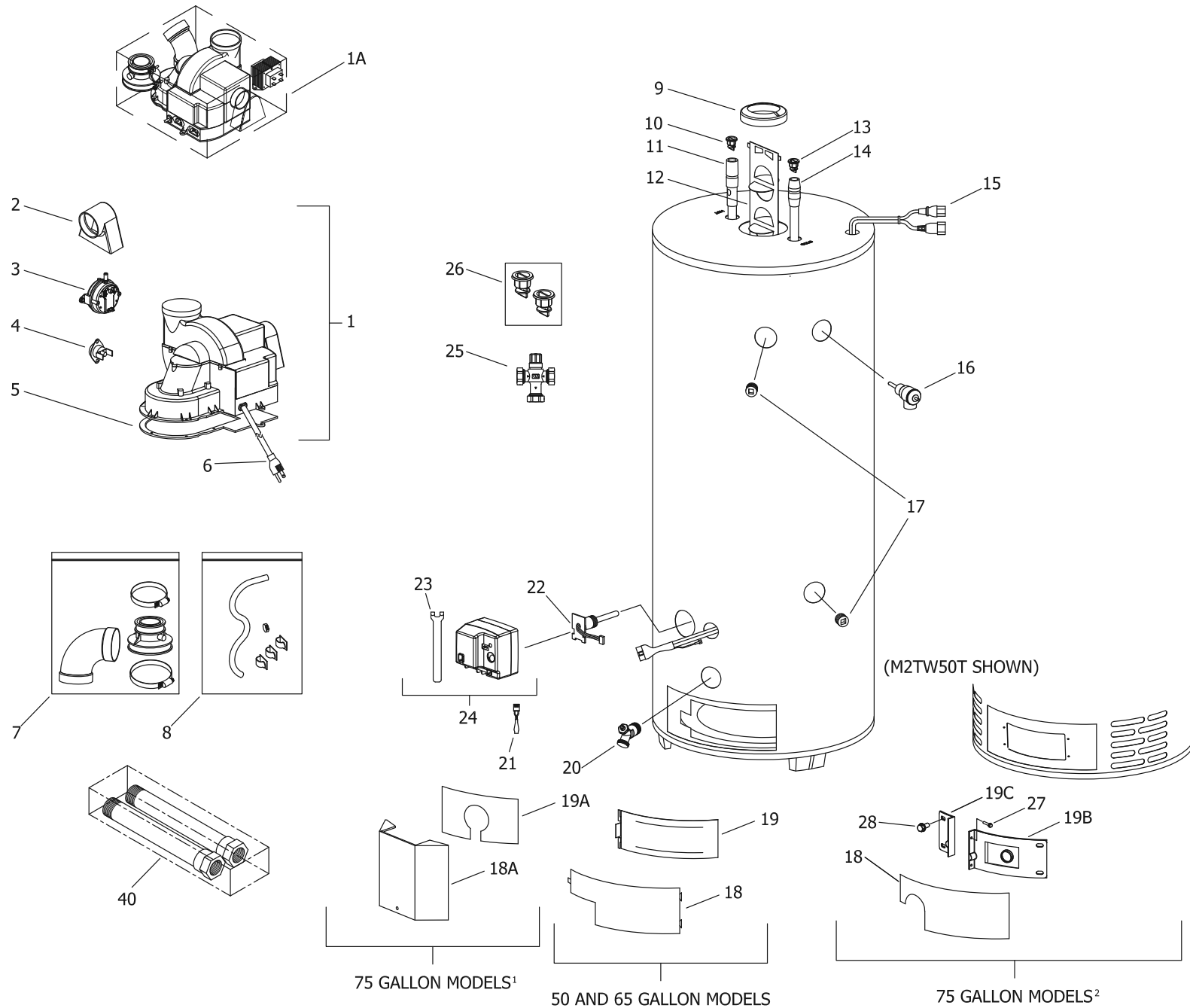
Please order the specific component required for the quickest delivery.

▲ Order with item 10.

▲▲ Order with item 13.

¹ For 75 gal models with serial numbers prior to FD11847877.

² For 75 gal. models with serial number FD11847877 and after.



Item	Description	Model	Model	Model	Model	Model
		M2TW75T*(BN,CX)	TW450S*(BN,CX)	TW465S*(BN,CX)	TW475S76*(BN,CX)	GX2TW25S*(BN,SX)
1	Blower Complete (0ft to 2000ft)	265-45583-00	265-45583-00	265-45583-00	265-45583-00	243-47659-00
	Blower Complete High Altitude (Over 2000ft)	243-45986-00	243-45986-00	243-45986-00	243-45986-00	243-47660-00
1A	Universal SVC Blower Kit	---	---	---	---	---
2	Air Mixing Inlet	239-45868-00	239-45868-00	239-45868-00	239-45868-00	239-45868-00
3	Pressure Switch (0ft to 2000ft)	239-45867-02	239-45867-02	239-45867-02	239-45867-02	239-47815-01
	Pressure Switch (Over 2000ft)	239-45867-04	239-45867-04	239-45867-04	239-45867-04	239-47815-02
4	Blower Temperature Switch	239-48752-00	239-48752-00	239-48752-00	239-48752-00	239-48752-00
5	Blower Gasket	239-45866-00	239-45866-00	239-45866-00	239-45866-00	239-45866-00
6	Blower Power Cord	239-45990-00	239-45990-00	239-45990-00	239-45990-00	239-45990-00
7	2" Exhaust Adaptor w/Vent Terminal	---	---	---	---	---
	3" Vent Adaptor w/Vent Terminal	239-46264-00	239-46264-00	239-46264-00	239-46264-00	239-46264-00
8	Condensate Hose Kit (Optional)	239-45875-00	239-45875-00	239-45875-00	239-45875-00	239-45875-00
9	Flue Reducer	243-42572-00	243-42572-00	243-42572-00	243-42572-00	---
10	Heat Trap Outlet	239-45167-00	239-45167-00	239-45167-00	239-45167-00	---
11	Hot Water Outlet Anode (Magnesium) ▲	224-32731-83	224-32731-86	224-32731-83	224-32731-86	224-32731-101
	Hot Water Outlet Anode (Aluminum) ▲	224-32999-30	224-32999-21	224-32999-06	224-32999-21	224-32999-21
	Hot Water Outlet Anode (A420 Aluminum) ▲#	224-49560-08	224-49560-08	224-49560-08	224-49560-08	224-49560-08
12	Flue Baffle	243-45373-00	243-45373-00	243-45373-00	243-45373-00	---
12A	Flue Core	---	---	---	---	239-47658-00
13	Heat Trap Inlet	239-45073-00	239-45073-00	239-45073-00	239-45073-00	---
14	Cold Water Inlet Dip Tube (PPDTA) ▲▲	229-39625-05	229-45398-01	229-45398-02	229-39625-19	---
	Cold Water Inlet Dip Tube (PSDTA) (NC Code)▲▲	229-39628-05	229-45092-01	229-45092-03	229-39628-19	229-45092-02
15	Blower Harness	239-45617-02	239-45617-02	239-45617-02	239-45617-02	239-45617-02
16	T&P Relief Valve	230-32920-01	230-32920-01	230-32920-01	230-32920-01	230-32920-01
17	3/4 NPT Pipe Plug	239-11638-00	239-11638-00	239-11638-00	239-11638-00	239-11638-00
18	Outer Door	---	243-41061-00	243-41061-00	---	243-43962-00
18A	Outer Door	243-37177-00 ¹	---	---	243-37177-00 ¹	---
19B	Outer Door	243-43962-00 ²	---	---	243-43962-00 ²	---
19	Inner Door Complete (Sliding)	---	243-36739-02	243-36739-02	---	---
19A	Inner Door Complete (Some 75 gal. models) ¹	243-39207-00 ¹	---	---	243-39207-00 ¹	---
19B	Right Side Inner Door Complete	239-47504-22 ²	---	---	239-47504-22 ²	239-43963-15
19C	Left Side Inner Door Complete	239-43968-20 ²	---	---	239-43968-20 ²	239-43968-14
20	Brass Drain Valve	265-42351-02	265-42351-02	265-42351-02	265-42351-02	265-42351-02
21	Simulated Resistive Device	239-45949-00	239-45949-00	239-45949-00	239-45949-00	---
21A	Sensor Harness	---	---	---	---	239-45620-00
21B	Sensor	---	---	---	---	239-45560-00
21C	Sensor Clip	---	---	---	---	239-45648-00
22	Thermowell	233-45651-02	233-45651-02	233-45651-01	233-45651-02	233-45651-02
23	Gas Control Valve Service Tool	239-45991-00	239-45991-00	239-45991-00	239-45991-00	239-45991-00
24	Kit-Gas Control Valve Nat. w/Service Tool	239-45613-01	239-45613-02	239-45613-02	239-45613-02	239-45613-02
	Kit-Gas Control Valve LP w/Service Tool	239-45614-01	239-45614-02	239-45614-02	239-45614-02	239-45614-02
25	ASSE Approved Mixing Valve (Optional)	239-43740-01	239-43740-01	239-43740-01	239-43740-01	---
25A	Integrated Mixing Device	---	---	---	---	239-47865-00
26	Heat Trap Insert Kit (Optional)	265-45419-00	265-45419-00	265-45419-00	265-45419-00	---
27	Screw - 10-12X3/4 Hex/ Washer	239-44113-00 ²	---	---	239-44113-00 ²	239-44113-00
28	Screw - 8-15X3/4 Hex/ Washer	239-44195-00 ²	---	---	239-44195-00 ²	239-44195-00

*Applies to all warranties

**Ordering a complete burner assembly may increase delivery time.

Please order the specific component required for the quickest delivery.

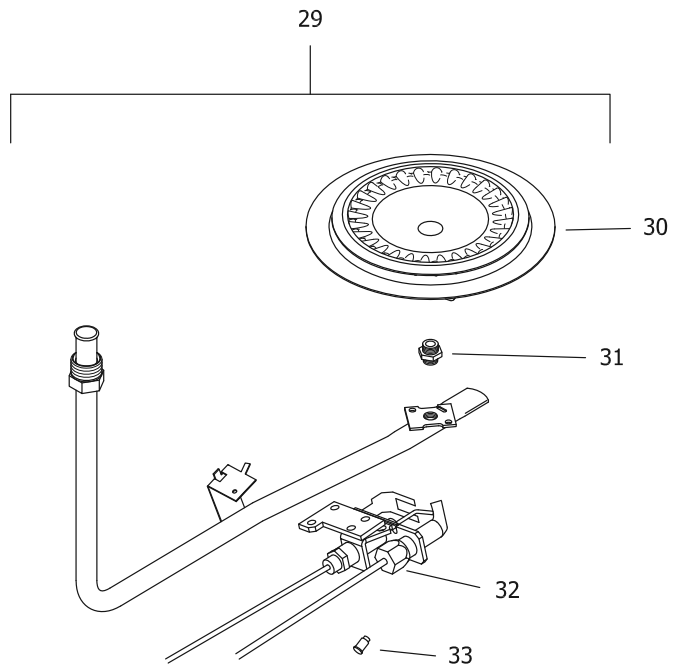
A420 Anode may need to be cut to length

▲ Order with item 10.

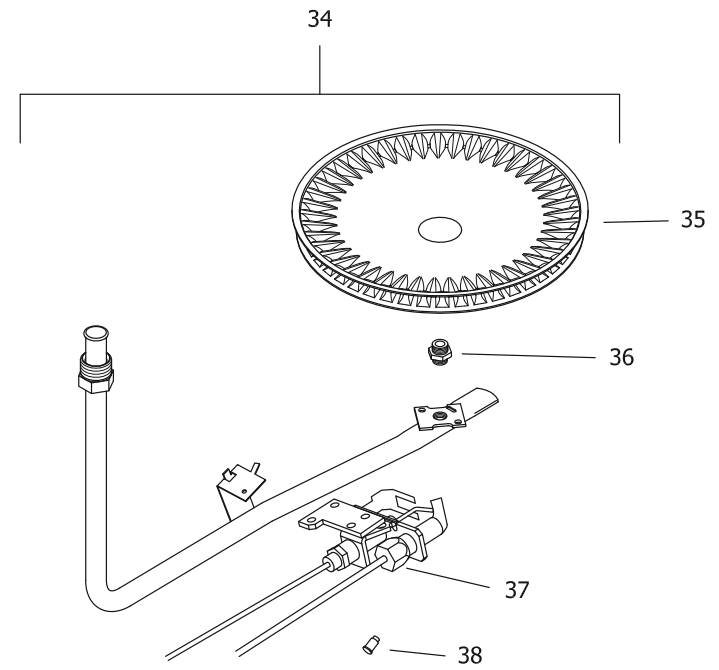
▲▲ Order with item 13.

¹ For 75 gal models with serial numbers prior to FD11847877.

² For 75 gal. models with serial number FD11847877 and after.



NATURAL GAS (BN) BURNER ASSEMBLY



LP GAS (SX) BURNER ASSEMBLY

LP GAS (SX) BURNER ASSEMBLY TO REPLACE LP GAS (CX) BURNER ASSEMBLY
ON ALL MODELS EXCEPT 75 & 100 GAL. MODELS

Item	Description	Model M2TW75T*(BN,CX)	Model TW450S*(BN,CX)	Model TW465S*(BN,CX)	Model TW475S76*(BN,CX)	Model GX2TW25S*(BN,SX)
<u>Natural Gas (BN) Burner Assembly</u>						
29	Nat. Gas (BN) Burner Assembly Complete**	265-45652-03-21 ¹	265-47439-06-26	265-47439-09-26	265-45652-03-21 ¹	265-47439-14-25
	Nat. Gas (BN) Burner Assembly Complete**	265-47785-01-21 ²	---	---	265-47785-01-21 ²	---
30	Nat. Gas (BN) Burner Head	228-42506-00 ¹	228-42506-00	228-42506-00	228-42506-00 ¹	228-47000-00
	Nat. Gas (BN) Burner Head	228-47000-00 ²	---	---	228-47000-00 ²	---
31	Nat. Gas (BN) Main Burner Orifice (0ft to 2000ft)	234-41034-21	234-41034-26	234-41034-26	234-41034-21	234-41034-25
	Nat. Gas (BN) High Altitude Orifice (2001ft to 5000ft)	234-41034-24	234-41034-30	234-41034-30	234-41034-24	234-41034-28
	Nat. Gas (BN) High Altitude Orifice (5001ft to 8000ft)	234-41034-29	234-41034-30	234-41034-30	234-41034-29	234-41034-28
	Nat. Gas (BN) High Altitude Orifice (8001ft & above)	234-41034-31	234-41034-31	234-41034-31	234-41034-31	234-41034-28
32	Nat. Gas Pilot Assembly w/Electrode	233-45653-05	233-45653-05	233-45653-05	233-45653-05	233-45653-05
33	Nat. Gas Pilot Orifice	234-45869-01	234-45869-01	234-45869-01	234-45869-01	234-45869-01
<u>LP Gas (SX) Titanium Stabilized Stainless Steel Burner Assembly</u>			<u>Replacement for LP Gas (CX) Cast Iron Burner</u>			
34	LP Gas (SX) Burner Assembly Complete**	265-47112-01-41 ¹	265-47440-10-43	265-47440-16-42	265-47112-01-41 ¹	265-47440-24-41
	LP Gas (SX) Burner Assembly Complete**	265-47377-01-40 ²	---	---	265-47377-01-40 ²	---
35	LP Gas (SX) Burner Head	228-46938-00	228-47000-00	228-47000-00	228-46938-00	228-47000-00
36	LP Gas (SX) Main Burner Orifice (0ft to 2000ft)	234-47064-41 ¹	234-47064-43	234-47064-42	234-47064-41 ¹	234-47064-41
	LP Gas (SX) Main Burner Orifice (0ft to 2000ft)	234-47064-40 ²	---	---	234-47064-40 ²	---
	LP Gas (SX) High Altitude Orifice (2001ft to 5000ft)	234-47064-44	234-47064-46	234-47064-46	234-47064-44	234-47064-45
	LP Gas (SX) High Altitude Orifice (5001ft to 8000ft)	234-47064-44	234-47064-47	234-47064-47	234-47064-44	234-47064-45
	LP Gas (SX) High Altitude Orifice (8001ft & above)	234-47064-45	234-47064-47	234-47064-47	234-47064-45	234-47064-45
37	LP Gas Pilot Assembly w/Electrode	233-45653-04	233-45653-04	233-45653-04	233-45653-04	233-45653-04
38	LP Gas Pilot Orifice	234-45869-02	234-45869-02	234-45869-02	234-45869-02	234-45869-02
-	LP to Nat. Gas Conversion Kit (Norm. Alt.)	265-46493-18 ¹	265-46493-38	265-46493-40	265-46493-22 ¹	265-46493-44
-	LP to Nat. Gas Conversion Kit (High Alt.)	265-46493-19 ¹	265-46493-39	265-46493-41	265-46493-28 ¹	265-46493-45
-	LP to Nat. Gas Conversion Kit (Norm. Alt.)	265-46493-63 ²	265-46493-38	265-46493-40	265-46493-65 ²	265-46493-44
-	LP to Nat. Gas Conversion Kit (High Alt.)	265-46493-64 ²	265-46493-39	265-46493-41	265-46493-66 ²	265-46493-45
39	Inner Door Gasket Kit	239-47792-00	---	---	239-47792-00	239-44078-00
40	8" Extender Orange Label Nipple (SVC)	239-48429-00	239-48429-00	239-48429-00	239-48429-00	239-48429-00

*Applies to all warranties

**Ordering a complete burner assembly may increase delivery time.

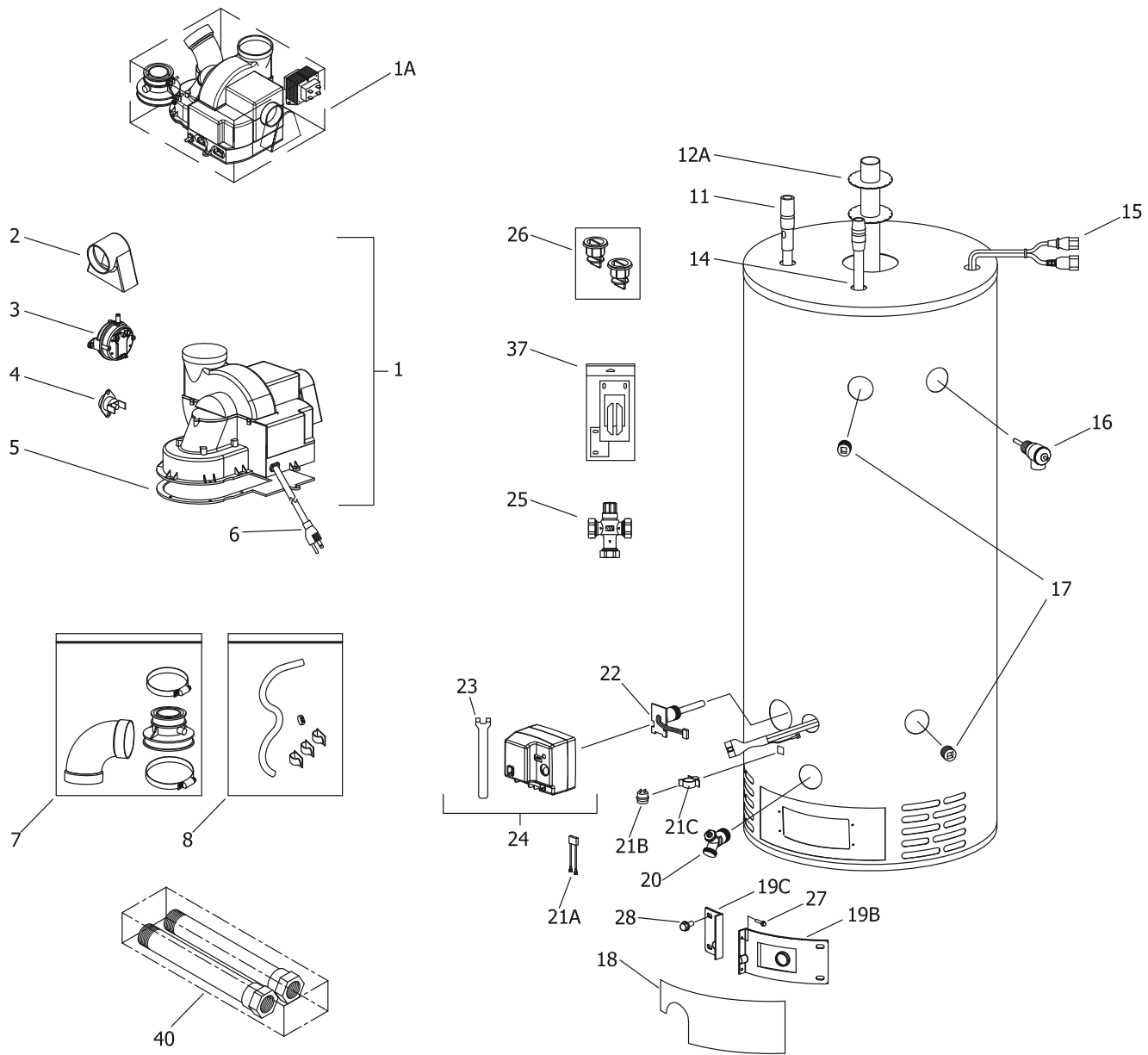
Please order the specific component required for the quickest delivery.

▲ Order with item 10.

▲▲ Order with item 13.

¹ For 75 gal models with serial numbers prior to FD11847877.

² For 75 gal. models with serial number FD11847877 and after.



Item	Description	Model	Model	Model
		GX1TW55S*(BN,SX)	TW25X76(B,S)3(N,X)	TW55X78(B,S)3(N,X)
1	Blower Complete (0ft to 2000ft)	243-47659-00	243-47659-00	243-47659-00
	Blower Complete High Altitude (Over 2000ft)	243-47660-00	243-47660-00	243-47660-00
1A	Universal SVC Blower Kit	---	---	---
2	Air Mixing Inlet	239-45868-00	239-45868-00	239-45868-00
3	Pressure Switch (0ft to 2000ft)	239-47815-01	239-47815-01	239-47815-01
	Pressure Switch (Over 2000ft)	239-47815-02	239-47815-02	239-47815-02
4	Blower Temperature Switch	239-48752-00	239-48752-00	239-48752-00
5	Blower Gasket	239-45866-00	239-45866-00	239-45866-00
6	Blower Power Cord	239-45990-00	239-45990-00	239-45990-00
7	2" Exhaust Adaptor w/Vent Terminal	---	---	---
	3" Vent Adaptor w/Vent Terminal	239-46264-00	239-46264-00	239-46264-00
8	Condensate Hose Kit (Optional)	239-45875-00	239-45875-00	239-45875-00
9	Flue Reducer	---	---	---
10	Heat Trap Outlet	---	---	---
11	Hot Water Outlet Anode (Magnesium) ▲	224-32731-101	224-32731-101	224-32731-101
	Hot Water Outlet Anode (Aluminum) ▲	224-32999-21	224-32999-21	224-32999-21
	Hot Water Outlet Anode (A420 Aluminum) ▲#	224-49560-08	224-49560-08	224-49560-08
12	Flue Baffle	---	---	---
12A	Flue Core	239-47658-00	239-47658-00	239-47658-00
13	Heat Trap Inlet	---	---	---
14	Cold Water Inlet Dip Tube (PPDTA) ▲▲	---	---	---
	Cold Water Inlet Dip Tube (PSDTA) (NC Code) ▲▲	229-45092-02	229-45092-02	229-45092-02
15	Blower Harness	239-45617-02	239-45617-02	239-45617-02
16	T&P Relief Valve	230-32920-01	230-32920-01	230-32920-01
17	3/4 NPT Pipe Plug	239-11638-00	239-11638-00	239-11638-00
18	Outer Door	243-43962-00	243-43962-00	243-43962-00
18A	Outer Door	---	---	---
19B	Outer Door	---	---	---
19	Inner Door Complete (Sliding)	---	---	---
19A	Inner Door Complete (Some 75 gal. models) ¹	---	---	---
19B	Right Side Inner Door Complete	239-45642-20	239-43963-15	239-45642-20
19C	Left Side Inner Door Complete	239-43968-20	239-43968-14	239-43968-20
20	Brass Drain Valve	265-42351-02	265-42351-02	265-42351-02
21	Simulated Resistive Device	---	---	---
21A	Sensor Harness	239-45620-00	239-45620-00	239-45620-00
21B	Sensor	239-45560-00	239-45560-00	239-45560-00
21C	Sensor Clip	239-45648-00	239-45648-00	239-45648-00
22	Thermowell	233-45651-02	233-45651-02	233-45651-02
23	Gas Control Valve Service Tool	239-45991-00	239-45991-00	239-45991-00
24	Kit-Gas Control Valve Nat. w/Service Tool	239-45613-02	239-45613-02	239-45613-02
	Kit-Gas Control Valve LP w/Service Tool	239-45614-02	239-45614-02	239-45614-02
25	ASSE Approved Mixing Valve (Optional)	---	---	---
25A	Integrated Mixing Device	239-47865-00	239-47865-00	239-47865-00
26	Heat Trap Insert Kit (Optional)	---	---	---
27	Screw - 10-12X3/4 Hex/ Washer	239-44116-00	239-44116-00	239-44116-00
28	Screw - 8-15X3/4 Hex/ Washer	239-44195-00	239-44195-00	239-44195-00

*Applies to all warranties

**Ordering a complete burner assembly may increase delivery time.

Please order the specific component required for the quickest delivery.

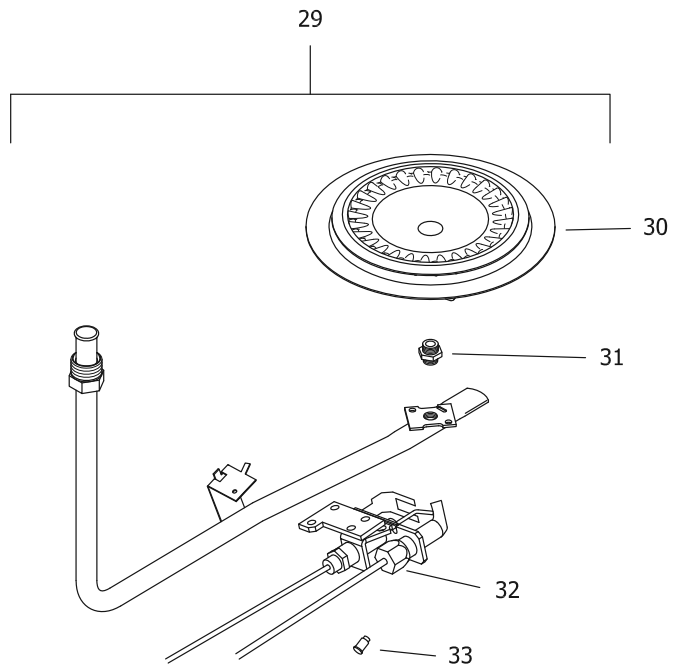
A420 Anode may need to be cut to length

▲ Order with item 10.

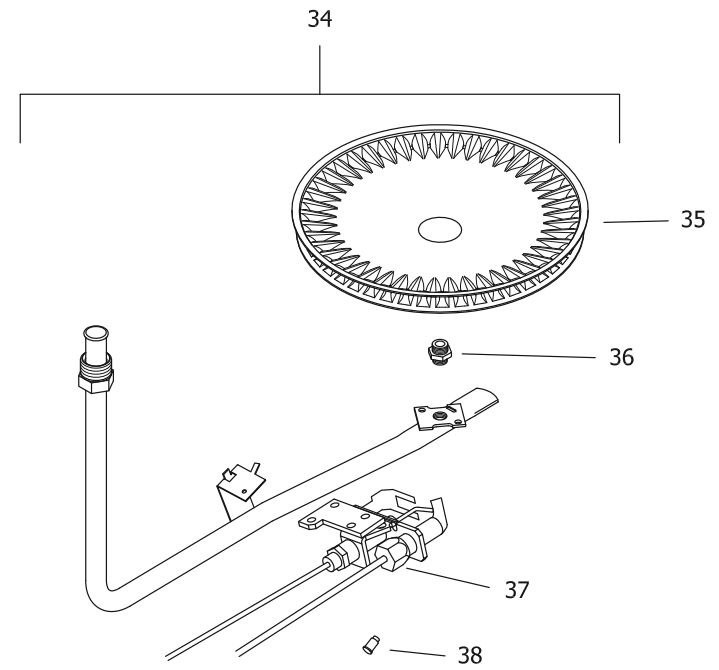
▲▲ Order with item 13.

¹ For 75 gal models with serial numbers prior to FD11847877.

² For 75 gal. models with serial number FD11847877 and after.



NATURAL GAS (BN) BURNER ASSEMBLY



LP GAS (SX) BURNER ASSEMBLY

LP GAS (SX) BURNER ASSEMBLY TO REPLACE LP GAS (CX) BURNER ASSEMBLY
ON ALL MODELS EXCEPT 75 & 100 GAL. MODELS

Item	Description	Model GX1TW55S*(BN,SX)	Model TW25X76(B,S)3(N,X)	Model TW55X78(B,S)3(N,X)
<u>Natural Gas (BN) Burner Assembly</u>				
29	Nat. Gas (BN) Burner Assembly Complete**	265-47439-15-24	265-47439-14-25	265-47439-15-24
	Nat. Gas (BN) Burner Assembly Complete**	---	---	---
30	Nat. Gas (BN) Burner Head	228-47000-00	228-47000-00	228-47000-00
	Nat. Gas (BN) Burner Head	---	---	---
31	Nat. Gas (BN) Main Burner Orifice (0ft to 2000ft)	234-41034-24	234-41034-25	234-41034-24
	Nat. Gas (BN) High Altitude Orifice (2001ft to 5000ft)	234-41034-26	234-41034-28	234-41034-26
	Nat. Gas (BN) High Altitude Orifice (5001ft to 8000ft)	234-41034-26	234-41034-28	234-41034-26
	Nat. Gas (BN) High Altitude Orifice (8001ft & above)	234-41034-26	234-41034-28	234-41034-26
32	Nat. Gas Pilot Assembly w/Electrode	233-45653-05	233-45653-05	233-45653-05
33	Nat. Gas Pilot Orifice	234-45869-01	234-45869-01	234-45869-01
<u>LP Gas (SX) Titanium Stabilized Stainless Steel Burner Assembly</u>				
34	LP Gas (SX) Burner Assembly Complete**	265-47440-10-40	265-47440-24-41	265-47440-10-40
	LP Gas (SX) Burner Assembly Complete**	---	---	---
35	LP Gas (SX) Burner Head	228-47000-00	228-47000-00	228-47000-00
36	LP Gas (SX) Main Burner Orifice (0ft to 2000ft)	234-47064-40	234-47064-41	234-47064-40
	LP Gas (SX) Main Burner Orifice (0ft to 2000ft)	---	---	---
	LP Gas (SX) High Altitude Orifice (2001ft to 5000ft)	234-47064-44	234-47064-45	234-47064-44
	LP Gas (SX) High Altitude Orifice (5001ft to 8000ft)	234-47064-44	234-47064-45	234-47064-44
	LP Gas (SX) High Altitude Orifice (8001ft & above)	234-47064-44	234-47064-45	234-47064-44
37	LP Gas Pilot Assembly w/Electrode	233-45653-04	233-45653-04	233-45653-04
38	LP Gas Pilot Orifice	234-45869-02	234-45869-02	234-45869-02
-	LP to Nat. Gas Conversion Kit (Norm. Alt.)	265-46493-42	265-46493-44	265-46493-42
-	LP to Nat. Gas Conversion Kit (High Alt.)	265-46493-43	265-46493-45	265-46493-43
-	LP to Nat. Gas Conversion Kit (Norm. Alt.)	265-46493-42	265-46493-44	265-46493-42
-	LP to Nat. Gas Conversion Kit (High Alt.)	265-46493-43	265-46493-45	265-46493-43
39	Inner Door Gasket Kit	239-44078-00	239-44078-00	239-44078-00
40	8" Extender Orange Label Nipple (SVC)	239-48429-00	239-48429-00	239-48429-00

*Applies to all warranties

**Ordering a complete burner assembly may increase delivery time.

Please order the specific component required for the quickest delivery.

▲ Order with item 10.

▲▲ Order with item 13.

¹ For 75 gal models with serial numbers prior to FD11847877.

² For 75 gal. models with serial number FD11847877 and after.



BRADFORD WHITE[®]

W A T E R H E A T E R S

Ambler, PA

For U.S. and Canada field service,
contact your professional installer or
local Bradford White sales representative.

Sales/800-523-2931
Fax/215-641-1670
Parts Fax/215-641-2180

Technical Support/800-334-3393
Fax/269-795-1089

Warranty/800-531-2111
Fax/269-795-1089

International:
Telephone/215-641-9400
Telefax/215-641-9750



BRADFORD WHITE-CANADA[®] INC.

Mississauga, ON

Sales/866-690-0961
905-238-0100

Fax/905-238-0105

Technical Support/800-334-3393

Email

parts@bradfordwhite.com
techserv@bradfordwhite.com

www.bradfordwhite.com