

6 1/2" PARMA™ WALL MOUNT TUB SPOUT

Description

- Fits 1/2" copper or 1/2" IPS stub out nipple

Standards

- ASME A112.18.1
- CSA B125
- Listed IAPMO/UPC

Warranty

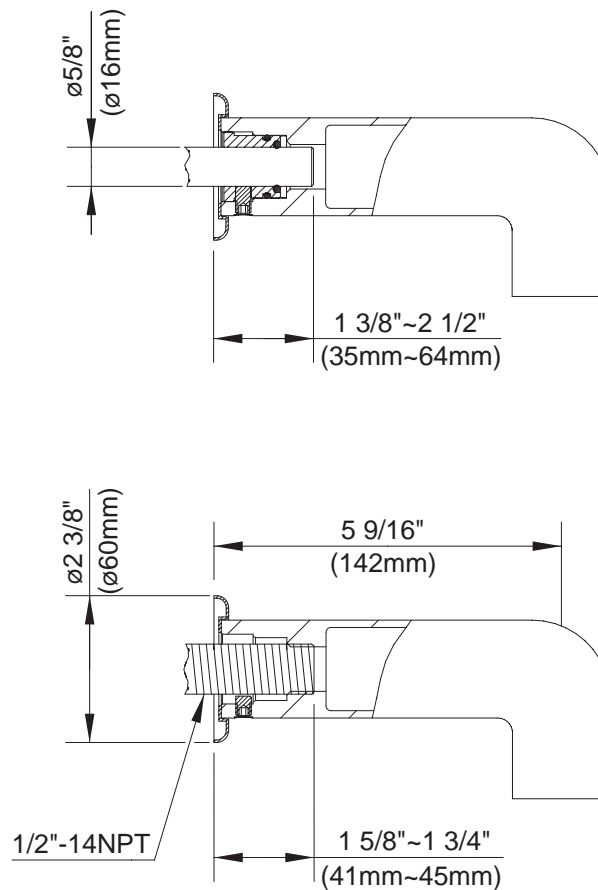
Danze products are covered by a manufacturer's limited "lifetime" warranty for manufacturing defects.



D606558

Available Colors & Finish

- Chrome
- Brushed Nickel (BN)



Specific Features: _____ Submitted Model No.: _____

SD606558/07-07.01