

DESCRIPTION

Showerlight trim with gasketed non-conductive corrosion-resistant polymer trim ring. Drop dome frosted glass lens. UL/cUL Wet Location listed for use in showers.

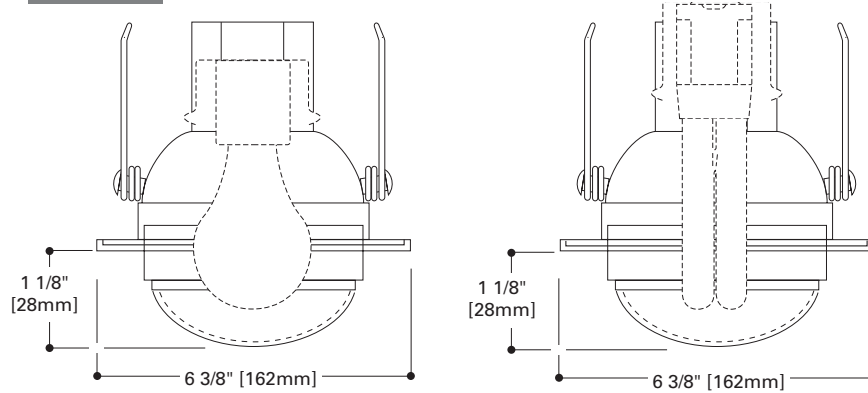
Catalog #		Type	
Project			
Comments		Date	
Prepared by			

DESIGN FEATURES

Torsion springs pull trim tight to ceiling.
Straight sided trim ring coordinates with die cast Halo 3" and 4" trims.

LAMP LISTINGS

H51CAT H51RICAT	40W A19, 50W PAR30
H251CAT	40W A19, 50W PAR30
H5T H5RT	75W A19, 75W PAR30
H5131C	13W DTT, 13W TTT compact fluorescent lamps
H5701CAT H5701RICAT	13W DTT, 13W TTT compact fluorescent lamps
H5711CAT H5711RICAT	18W DTT, 18W TTT compact fluorescent lamps
H5721CAT H5721RICAT	26W DTT, 26W TTT compact fluorescent lamps



H5T-5050
75W A19 1190 Lumens
Test No. H35159

Work Plane	FC	Dia
5'6"	2.4	12'6"
6'6"	2.0	13'6"
8'0"	1.5	14'0"
10'0"	1.1	17'0"
12'0"	.8	19'6"

Work Plane is 2 1/2 ft above floor
Dia of circle is 50% of max footcandles directly under fixture



5054PS
White with Dome Diffuser



5054SNS
Satin Nickel with Dome Diffuser



5054ACS
Antique Copper with Dome Diffuser



5054TBZS
Tuscan Bronze with Dome Diffuser

5054
5" Dome Lens Showerlight

Trim	Finish	Listing	Accessory
5054=5" Dome Lens Showerlight Trim	P=White Trim Ring with Dome Lens SN=Satin Nickel Trim Ring with Dome Lens AC=Antique Copper Trim Ring with Dome Lens TBZ=Tuscan Bronze Trim Ring with Dome Lens	S=Wet location listed showerlight	OT500P=5" Oversize Trim Ring - White

Note: Specifications and Dimensions subject to change without notice.

Visit our web site at www.cooperlighting.com