

# LIFT & TURN TUB DRAIN WITH ADAPTER SLEEVE

SKU: 948037

Code: SH477092, SH612, SH477093, SH484077, SH485512

## FEATURES

Length: 2-3/4"

Width: 2-3/4"

Height: 2"

Fits Drain Hole Size: 1-1/2"



REVISED 1/23/2024

# LIFT & TURN TUB DRAIN WITH ADAPTER SLEEVE

---

SKU: 948037

Code: SH477092, SH612, SH477093, SH484077, SH485512

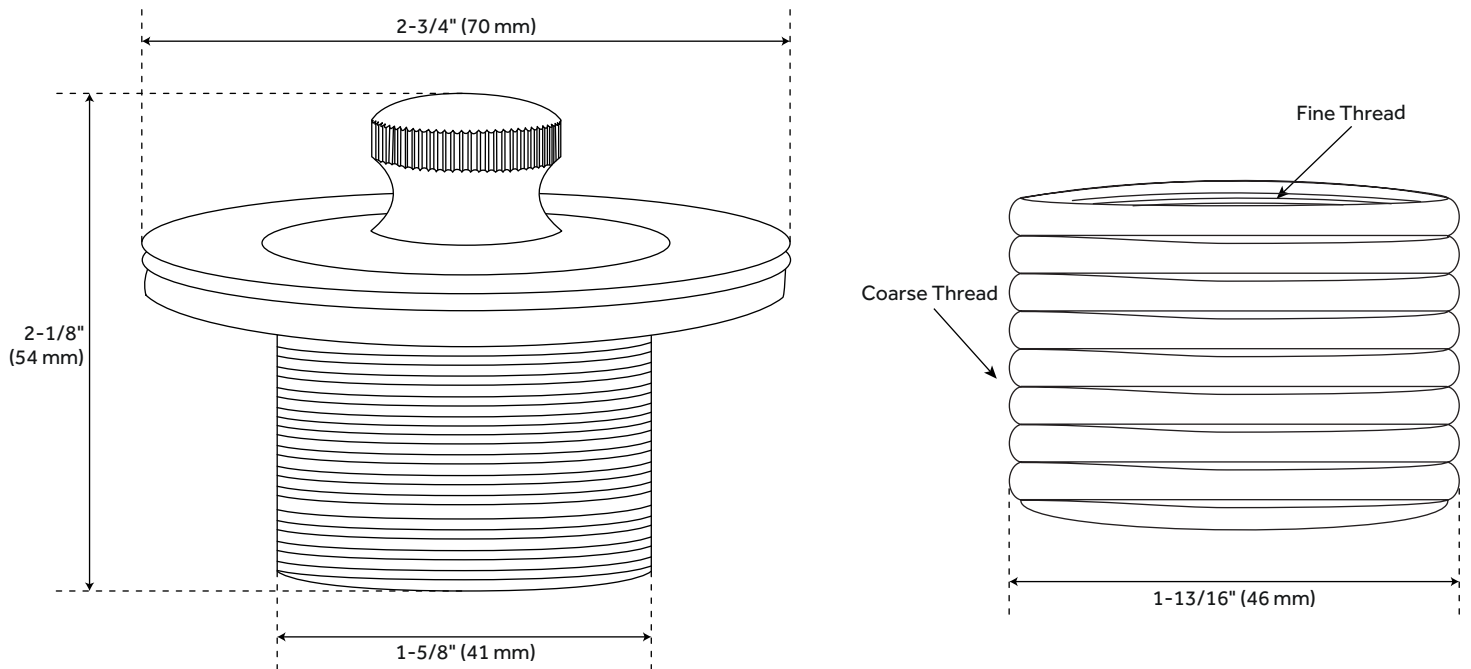


## ADDITIONAL FEATURES

- Solid brass construction with plastic bushing.
- Fits 1-1/4" and 1-1/2" drain connections.
- Drain Diameter: 2-3/4".

REVISED 1/23/2024

# LIFT & TURN TUB DRAIN WITH ADAPTER SLEEVE



All dimensions and specifications are nominal and may vary. Use actual products for accuracy in critical situations.