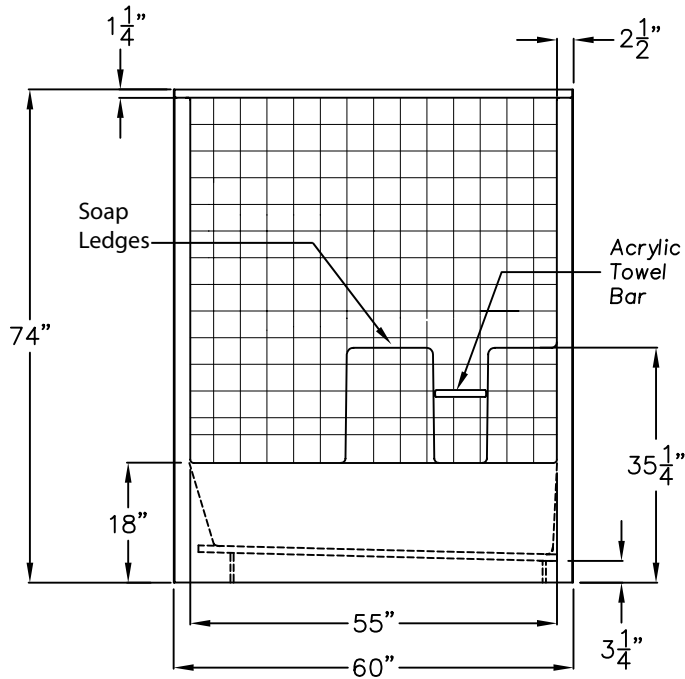


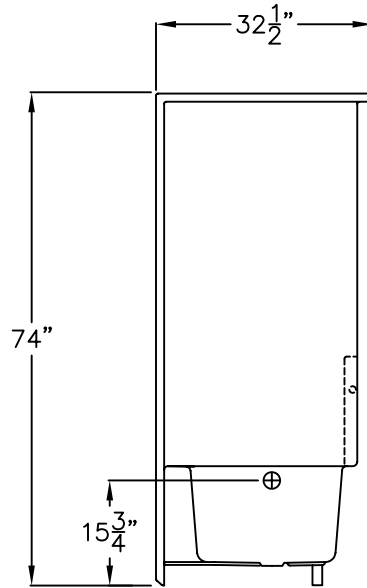
Special Needs Series

SUBMITTAL DATA

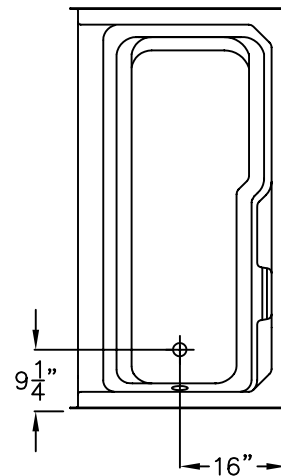
FRONT VIEW



SIDE VIEW



TOP VIEW



G 3206 60" GELCOAT TUB SHOWER. UNIT HAS SIMULATED TILE FINISH, TWO MOLDED SOAP LEDGES ON THE BACK WALL, AND ONE INCH DIAMETER, ACRYLIC TOWEL BAR.

UNIT COMPLIES WITH ANSI Z124.1-2, NAHB, AND UPC.

DUE TO THE NATURE OF THE MATERIALS
DIMENSIONS MAY VARY ± 1/2"

Job Name:	AQUARIUS
Model No.:	Drawing#: G 3206 TS Tile
Approved by:	Date Approved:
Rep.:	Wholesaler:
	Quote No.:

PRAXIS INDUSTRIES, LLC.
435 INDUSTRIAL RD - SAVANNAH, TN 38372
1 (800) 443-7269 - FAX (731) 925-4290