



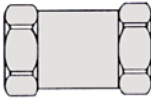
Flow Control Valves - Dole



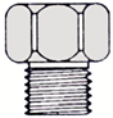
Dole Flow Control Valve Features:

- Prevents over-pumping of low yield wells.
- Installs in the discharge line between check valve and pressure tank.
- Do not use to suspend pipe.
- Self cleaning, designed to deliver constant volume of water over wide pressure drop range.
- Flow rated maintained within +/- 15% up to a pressure drop of 125 psi.
- Maximum system pressure 200 psi.
- Lead Free.

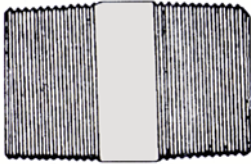




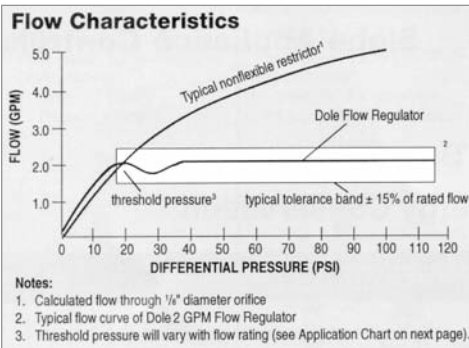
GA, GB, GC, GX Series *
3/8" - 1" fipt
Brass Housing/
Nickle Plated



GY Series
3/4 mipt" x 3/4" fipt
Brass Housing/
Nickle Plated



GP, GT, GF, GH, GK Series
1 1/4" - 3" mipt
Steel Housing/
Zinc Plated



NEW Part Number	OLD	Flow (GPM)	Inlet/Outlet	List Price
Brass Housing/Nickel Plated				
* GA.06		0.06	3/8" fIPT	\$ 30.28
GA.13	DV.13	0.13	3/8" fipt	30.28
GA.19	DV.19	0.19	3/8" fipt	30.28
GA.25	DV2.5	0.25	3/8" fipt	30.28
GA.35		0.35	3/8" fipt	30.28
GA.50	DV5	0.50	3/8" fipt	30.28
GA.75	DV75	0.75	3/8" fipt	30.28
GA1.0	DV10	1.0	3/8" fipt	30.28
Steel Housing/Zinc Plated				
* GB1.0	DV10-1/2	1.0	1/2" fipt	35.21
GB1.5	DV15	1.5	1/2" fipt	35.21
GB2.0	DV20	2.0	1/2" fipt	35.21
GB2.5	DV25	2.5	1/2" fipt	35.21
GB3.0	DV30	3.0	1/2" fipt	35.21
GB3.5	DV35	3.5	1/2" fipt	35.21
GB4.0	DV40	4.0	1/2" fipt	35.21
GB5.0	DV50-1/2	5.0	1/2" fipt	35.21
GB6.0	DV60-1/2	6.0	1/2" fipt	35.21
Steel Housing/Brass Housing				
* GC1	DV1.0	1.0	3/4" fipt	46.59
GC1.5		1.5	3/4" fipt	46.59
GC2.0	DV2.0	2.0	3/4" fipt	46.59
GC2.5	DV2.5-3/4	2.5	3/4" fipt	46.59
GC3.0	DV30-3/4	3.0	3/4" fipt	46.59
GC3.5	DV3.5-3/4	3.5	3/4" fipt	46.59
GC4.0	DV40-3/4	4.0	3/4" fipt	46.59
GC5.0	DV50	5.0	3/4" fipt	46.59
GC6.0	DV60	6.0	3/4" fipt	46.59
GC7.0	DV70	7.0	3/4" fipt	46.59
GC8.0	DV80	8.0	3/4" fipt	46.59
GC9.0	DV90	9.0	3/4" fipt	46.59
GC10	DV100	10.0	3/4" fipt	46.59
GC11.5	DV115	11.5	3/4" fipt	46.59
Steel Housing/Brass Housing with MXF				
* GY1.0	DV1-3/4MXF	1.0	3/4" mipt x fipt	63.63
GY1.5	DV1.5-3/4MXF	1.5	3/4" mipt x fipt	63.63
GY2.0	DV2-3/4MXF	2.0	3/4" mipt x fipt	63.63
GY2.5	DV2.5-3/4MXF	2.5	3/4" mipt x fipt	63.63
GY3.0	DV3-3/4MXF	3.0	3/4" mipt x fipt	63.63
GY3.5	DV3.5-3/4MXF	3.5	3/4" mipt x fipt	63.63
GY4.0	DV4-3/4MXF	4.0	3/4" mipt x fipt	63.63
GY5.0	DV5-3/4MXF	5.0	3/4" mipt x fipt	63.63
GY6.0	DV6-3/4MXF	6.0	3/4" mipt x fipt	63.63
GY7.0	DV7-3/4MXF	7.0	3/4" mipt x fipt	63.63

Flow Control Valves - Dole



NEW Part Number	OLD	Flow (GPM)	Inlet/Outlet	List Price
GY8.0	DV8-3/4MXF	8.0	3/4" mipt x fipt	\$ 63.63
GY9.0	DV9-3/4MXF	9.0	3/4" mipt x fipt	63.63
GY10	DV10-3/4MXF	10.0	3/4" mipt x fipt	63.63
GY11.5		11.5	3/4" mipt x fipt	63.63
* GX1.0	DV10-1	1.0	1" fipt	74.85
GX1.5	DV15-1	1.5	1" fipt	74.85
GX2.0	DV20-1	2.0	1" fipt	74.85
GX2.5	DV25-1	2.5	1" fipt	74.85
GX3.0	DV30-1	3.0	1" fipt	74.85
GX3.5	DV35-1	3.5	1" fipt	74.85
GX4.0	DV40-1	4.0	1" fipt	74.85
GX5.0	DV50-1	5.0	1" fipt	74.85
GX6.0	DV60-1	6.0	1" fipt	74.85
GX7.0	DV70-1	7.0	1" fpt	74.85
GX8.0	DV80-1	8.0	1" fpt	74.85
GX9.0	DV90-1	9.0	1" fpt	74.85
GX10	DV100-1	10.0	1" fipt	74.85
GX12	DV120	12.0	1" fipt	74.85
GX13.5	DV135-1	13.5	1" fipt	74.85
GX15	DV150	15.0	1" fipt	74.85
GX20	DV200	20.0	1" fipt	74.85
GX25	DV250	25.0	1" fipt	74.85
GX30	DV300	30.0	1" fipt	74.85
Steel Housing/Zinc Plated				
GP1.0	DV1.0-11/4	1.0	1 1/4" mipt	135.47
GP1.5		1.5	1 1/4" mipt	135.47
GP2.0		2.0	1 1/4" mipt	135.47
GP2.5		2.5	1 1/4" mipt	135.47
GP3.0		3.0	1 1/4" mipt	135.47
GP3.5		3.5	1 1/4" mipt	135.47
GP4.0		4.0	1 1/4" mipt	135.47
GP5.0		5.0	1 1/4" mipt	135.47
GP6.0		6.0	1 1/4" mipt	135.47
GP7.0	DV75-11/4	7.0	1 1/4" mipt	135.47
GP8.0		8.0	1 1/4" mipt	135.47
GP9.0		9.0	1 1/4" mipt	135.47
GP10	DV10-11/4	10.0	1 1/4" mipt	135.47
GP12	DV12-11/4	12.0	1 1/4" mipt	135.47
GP13.5		13.5	1 1/4" mipt	135.47
GP15	DV15-11/4	15.0	1 1/4" mipt	135.47
GP20	DV20-11/4	20.0	1 1/4" mipt	135.47
GP25	DV25-11/4	25.0	1 1/4" mipt	135.47
GP30	DV30-11/4	30.0	1 1/4" mipt	135.47
GT1.0		1.0	1 1/2" mipt	150.05
GT1.5		1.5	1 1/2" mipt	150.05
GT2.0	DV2-11/2	2.0	1 1/2" mipt	150.05
GT2.5		2.5	1 1/2" mipt	150.05
GT3.0		3.0	1 1/2" mipt	150.05
GT3.5		3.5	1 1/2" mipt	150.05
GT4.0		4.0	1 1/2" mipt	150.05
GT5.0	DV5-11/2	5.0	1 1/2" mipt	150.05

NEW Part Number	OLD	Flow (GPM)	Inlet/Outlet	List Price
Steel Housing/Zinc Plated				
GT6.0		6.0	1 1/2" mipt	\$ 150.05
GT7.0	DV7-11/2	7.0	1 1/2" mipt	150.05
GT8.0		8.0	1 1/2" mipt	150.05
GT9.0	DV9-11/2	9.0	1 1/2" mipt	150.05
GT10	DV10-11/2	10.0	1 1/2" mipt	150.05
GT12		12.0	1 1/2" mipt	150.05
GT13.5		13.5	1 1/2" mipt	150.05
GT15	DV15-11/2	15.0	1 1/2" mipt	150.05
GT20	DV20-11/2	20.0	1 1/2" mipt	150.05
GT25	DV25-11/2	25.0	1 1/2" mipt	150.05
GT30	DV30-11/2	30.0	1 1/2" mipt	150.05
GF10	DV10-2	10.0	2" mipt	255.85
GF11.5		11.5	2" mipt	255.85
GF12	DV12-2	12.0	2" mipt	255.85
GF13.5	DV135-2	13.5	2" mipt	255.85
GF15		15.0	2" mipt	255.85
GF20	DV20-2	20.0	2" mipt	255.85
GF25		25.0	2" mipt	255.85
GF30	DV30-2	30.0	2" mipt	255.85
GH30		30.0	2-1/2" mipt	566.99
GH35	DV350	35.0	2-1/2" mipt	566.99
GH40	DV400	40.0	2-1/2" mipt	566.99
GH45	DV450	45.0	2-1/2" mipt	566.99
GH50	DV500	50.0	2-1/2" mipt	566.99
GH55	DV550	55.0	2 1/2" mipt	566.99
GH60	DV600	60.0	2-1/2" mipt	566.99
GH65	DV650	65.0	2-1/2" mipt	566.99
GH70	DV700	70.0	2-1/2" mipt	566.99
GH75	DV750	75.0	2-1/2" mipt	566.99
GH80	DV800	80.0	2-1/2" mipt	566.99
GH85		85.0	2-1/2" mipt	566.99
GH90	DV900	90.0	2 1/2" mipt	566.99
GK30		30.0	3" mipt	589.49
GK35	DV3500	35.0	3" mipt	589.49
GK40	DV4000	40.0	3" mipt	589.49
GK45	DV4500	45.0	3" mipt	589.49
GK50		50.0	3" mipt	589.49
GK55	DV5500	55.0	3" mipt	589.49
GK60		60.0	3" mipt	589.49
GK65	DV6500	65.0	3" mipt	589.49
GK70		70.0	3" mipt	589.49
GK75		75.0	3" mipt	589.49
GK80		80.0	3" mipt	589.49
GK85	DV8500	85.0	3" mipt	589.49
GK90		90.0	3" mipt	589.49
GK95		95.0	3" mipt	589.49
GK100	DV1000	100.0	3" mipt	589.49
GK105		105.0	3" mipt	589.49
GK110		110.0	3" mipt	589.49
GK115		115.0	3" mipt	589.49
GK120	DV1200	120.0	3" mipt	589.49