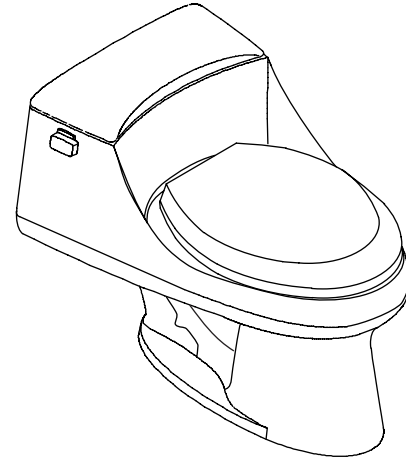


### ELONGATED TOILET K-3384-2

#### Features

- Vitreous china
- One-piece
- Elongated bowl
- 12" (30.5 cm) rough-in
- Ingenium® flushing system
- EPDM flapper
- Includes French Curve™ seat and cover
- Includes polished chrome trip lever
- Less supply
- Brass supply shank
- 1.6 gpf (6 lpf) performance comparable to previous 3.5 gpf (13 lpf) models
- 11" (27.9 cm) x 9-1/4" (23.5 cm) water area
- 29" (73.7 cm) x 20-3/8" (51.8 cm) x 23-1/4" (59.1 cm)



#### Codes/Standards Applicable

Specified model meets or exceeds the following:

- ASME A112.19.2
- IAPMO/UPC
- Energy Policy Act of 1992 (EPACT)
- CSA B45

#### Colors/Finishes

- 0: White
- Other: Refer to Price Book for additional colors/finishes

#### Accessories:

- CP: Polished Chrome
- PB: Polished Brass
- Other: Refer to Price Book for additional colors/finishes

#### Specified Model

Model	Description	Colors/Finishes		
K-3384-2	Elongated bowl toilet	<input type="checkbox"/> 0	<input type="checkbox"/> Other _____	
<b>Recommended Accessory</b>				
K-7637	Angle supply with stop	<input type="checkbox"/> CP	<input type="checkbox"/> PB	<input type="checkbox"/> Other _____
<b>Optional Accessory</b>				
K-9453	Trip lever (non-CP)	<input type="checkbox"/> PB	<input type="checkbox"/> Other _____	

#### Product Specification:

The elongated one-piece toilet shall be made of vitreous china. Toilet shall be 29" (73.7 cm) in length, 20-3/8" (51.8 cm) in width, and 23-1/4" (59.1 cm) in height. Toilet shall be 12" (30.5 cm) rough-in. Toilet shall have Kohler Ingenium™ flushing system. Toilet shall have EPDM flapper. Toilet shall include French Curve™ seat and cover. Toilet shall include polished chrome metal trip lever. Toilet shall be less supply. Toilet shall have a brass supply shank. Toilet shall be 1.6 gpf (6 lpf) performance comparable to previous 3.5 gpf (13 lpf) models. Toilet shall have 11" (27.9 cm) x 9-1/4" (23.5 cm) water area. Toilet shall be Kohler Model K-3384-2-\_\_\_\_\_.

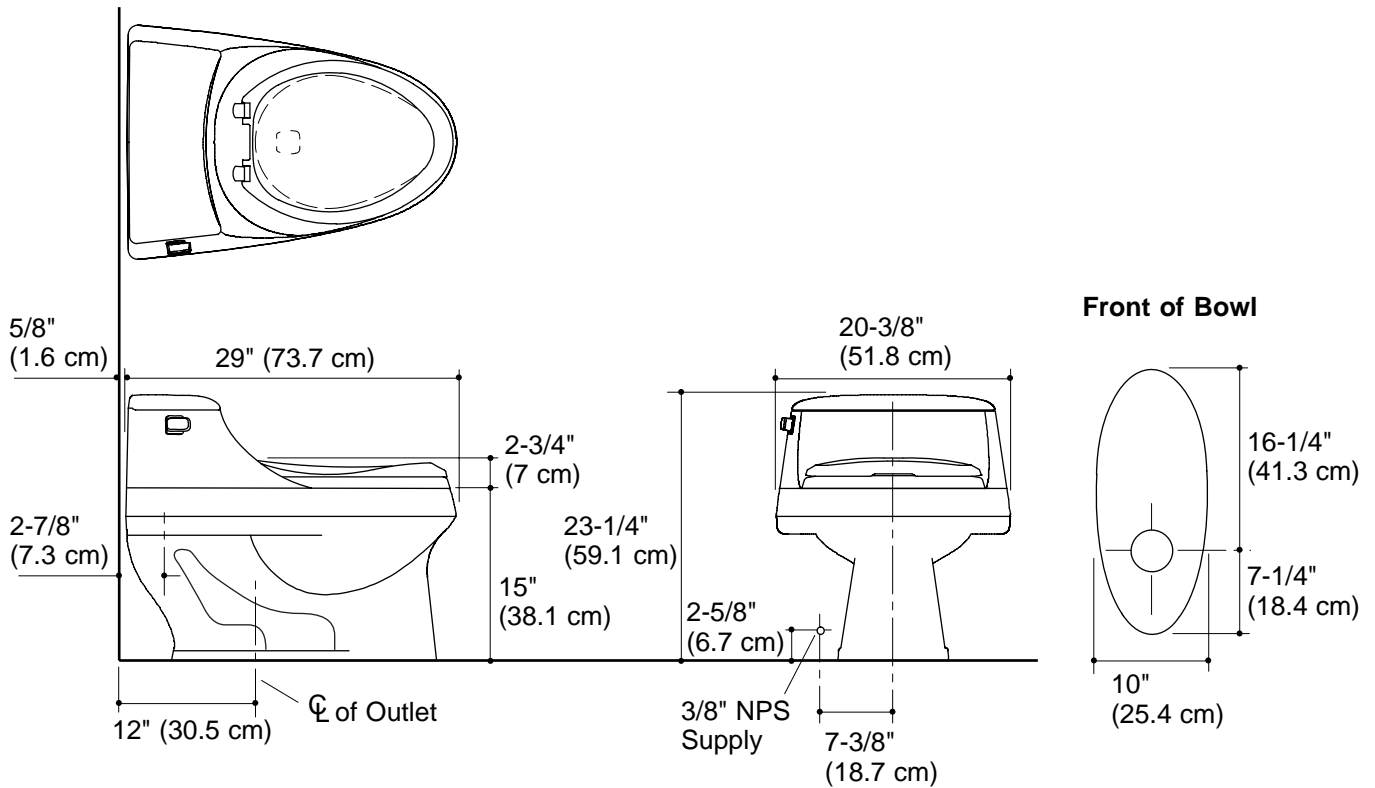
# SAN RAPHAEL™

## Technical Information

Fixture:	
Configuration	1-piece, elongated
Water per flush	1.6 gallons (6 L)
Passageway	2" (5.1 cm)
Water area	11" (27.9 cm) x 9-1/4" (23.5 cm)
Water depth from rim	5-5/8" (14.3 cm)
Seat post hole centers	5-1/2" (14 cm)
Included components:	
Seat	K-4653
Tank cover	1010658
Trip lever	K-9453
Bolt cap accessory pack	1013092
Tank accessory pack	84301

## Installation Notes

Install this product according to the installation guide.



## Product Diagram