



SERVICE PARTS CATALOG CD  
MAY 2010

For a table of contents, please click on either  
Discontinued Parts or Current Parts

**DISCONTINUED PARTS**

**CURRENT PARTS**

For trade price schedule, wiring diagrams, boiler manual or appropriate  
control supplement, click here to go to the [weil-mclain website](#)

# DISCONTINUED PARTS

## CONTENTS

## PAGE#

**GAS BOILERS**
**Model**

GV Series 3 Boiler .....	4
GV Series 1-2 Boiler .....	12
CG Boilers (Series 1-12) .....	22
CGx Boilers (Series 1-2).....	36
CGi Boilers (Series 1).....	40
Ultra (Series 1-2) .....	48
HE & VHE Boilers.....	58
EG Boilers (Series 1-3) Components .....	69
EGH Boilers (Series 1-3) Components.....	79
AHE Boilers (Series 2-4) .....	86
LGB (Series 1).....	97

**OIL BOILERS**
**Model**

68 Boilers.....	116
76 Boilers.....	121

**GAS/OIL BOILERS**
**Model**

78 Boiler .....	124
-----------------	-----

**ADDITIONAL PRODUCTS**

Energy Management Control Systems.....	128
BCP .....	132
Electric Boilers.....	133

For trade prices, see current service parts TPS (Trade Price Schedule)

For wiring diagrams, see boiler manual or appropriate control supplement.  
 Future updates to the 2010 Parts Catalog are available at [www.weil-mclain.com](http://www.weil-mclain.com)

# CURRENT PARTS

CONTENTS PAGE#

## GAS BOILERS

### Model

Ultra Series 3/UE Boiler (Models 80-105-155-230-299-310-399) .....	139
GV Series 4 Boiler .....	150
CGt .....	159
CGs Boilers .....	164
CGi Boilers (Series 2) .....	172
CGa Boiler .....	180
EG Boilers (Series 4 Components/Series 1-4 Section and Base Assembly) .....	190
EGH Boilers (Series 4 Components/Series 1-4 Section and Base Assembly) .....	202
PFG Boiler .....	212
Ultra Commercial Boiler .....	220
LGB Boiler (Series 2 Components/Series 1-2 Section and Base Assembly) .....	228

## OIL BOILERS

### Model

Ultra Oil .....	252
WGO .....	255
WTGO .....	258
SGO .....	262
Gold Oil Jackets .....	266

## GAS/OIL BOILERS

### Model

80 Boiler .....	268
88 Boiler (Series 1-2) .....	272
94 Boiler .....	276

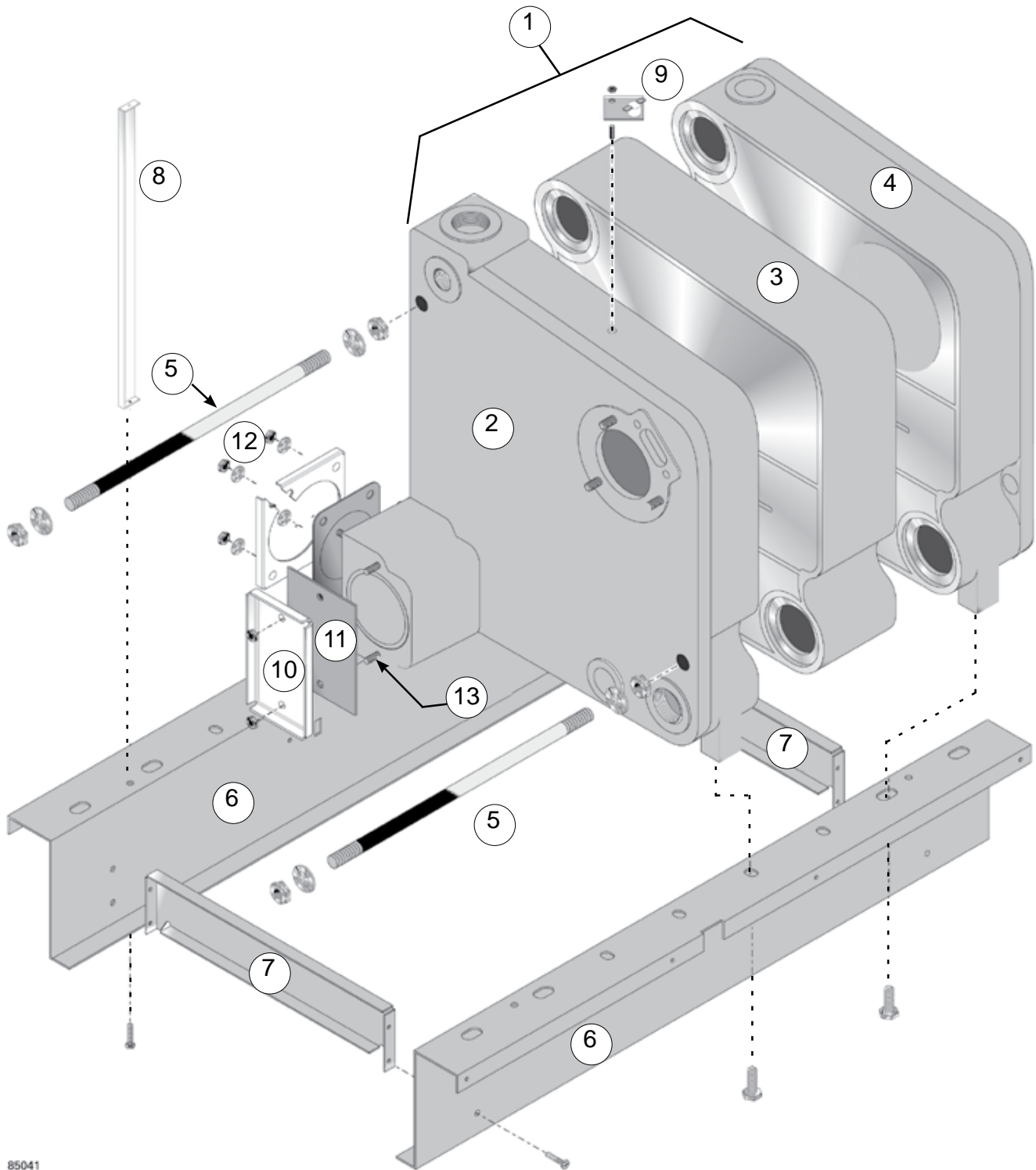
## ADDITIONAL PRODUCTS

Water Heaters .....	281
---------------------	-----

## MISCELLANEOUS INFORMATION

Burner Manufacturer Contact Information .....	283
Manufacturing Dates - Gas Boilers .....	284
Manufacturing Dates - Round Boilers .....	286
Manufacturing Dates - Oil Boilers .....	288
Sales Reference Listing .....	289

### GV Series 3 Section Assembly



85041

## GV Series 3 Section Assembly

Fig. No.	Part No.	Description	Size
1	382-200-280	Section Assembly (Repair Kit Required)	3
	382-200-281	Section Assembly (Repair Kit Required)	4
	382-200-282	Section Assembly (Repair Kit Required)	5
	382-200-283	Section Assembly (Repair Kit Required)	6
	382-200-391	Repair Kit for replacing entire section assembly (Includes water tubing-pump to return, 1" N.P.T. male adapters, blower flange gasket, igniter and gasket, screws, studs, nuts, washers)	All
2	312-200-150	Front Section 3913 (Repair Kit Required)	All
	382-200-301	Repair Kit, Front Section (Includes: square cut seals, silicone sealant, tie rod washers, water tubing-pump to return, 1" N.P.T. male adapters, blower flange gasket, igniter, igniter gasket, hardware)	All
3	312-200-110	Intermediate Section 3915 (Repair Kit required)	All
4	312-200-130	Back Section 3918 (Repair Kit Required)	All
	382-200-305	Repair Kit, Intermediate Back Sections (Includes: square cut seals, silicone sealant, tie rod nuts, tie rod washers) 1 Kit per Joint	All
	592-800-011	Square cut seals for sections, 2", 2 required per joint	All
5	560-234-499	7/16" Tie Rod without Nut (2 per Boiler) (10-1/2")	3
	560-234-525	7/16" Tie Rod without Nut (2 per Boiler) (14")	4
	560-234-503	7/16" Tie Rod without Nut (2 per Boiler) (18")	5
	560-234-504	7/16" Tie Rod without Nut (2 per Boiler) (21")	6
	561-928-235	Regular HEX Nut 7/16" (2 per Tie Rod)	All
	562-248-684	Washer, Medium Plain Split Lock 7/16 (1 per Tie Rod)	All
6	452-100-170	Base Rail Leg	3 & 4
	452-100-172	Base Rail Leg	5 & 6
7	452-100-080	Base Rail Brace	All
8	452-100-111	Blower Housing Support	All
9	382-200-375	Block Temperature Switch Kit (Includes: block switch (3500 Open, 2500 Close) and mounting bracket)	All
10	560-907-629	Inspection Port Cover	All
11	590-317-628	Inspection Port Gasket	All
12	590-317-629	Starter Tee Gasket	All
13	560-340-581	Stud, 5/16" 18 TPI x 1.25" 4 each for vent starter, 2 each For clean out, 3 each for inducer mounting, 1 for block switch mount	All
	Obtain Locally	5/16" 18 TPI, nuts	All

### GV Series 3 Blower Assembly Components

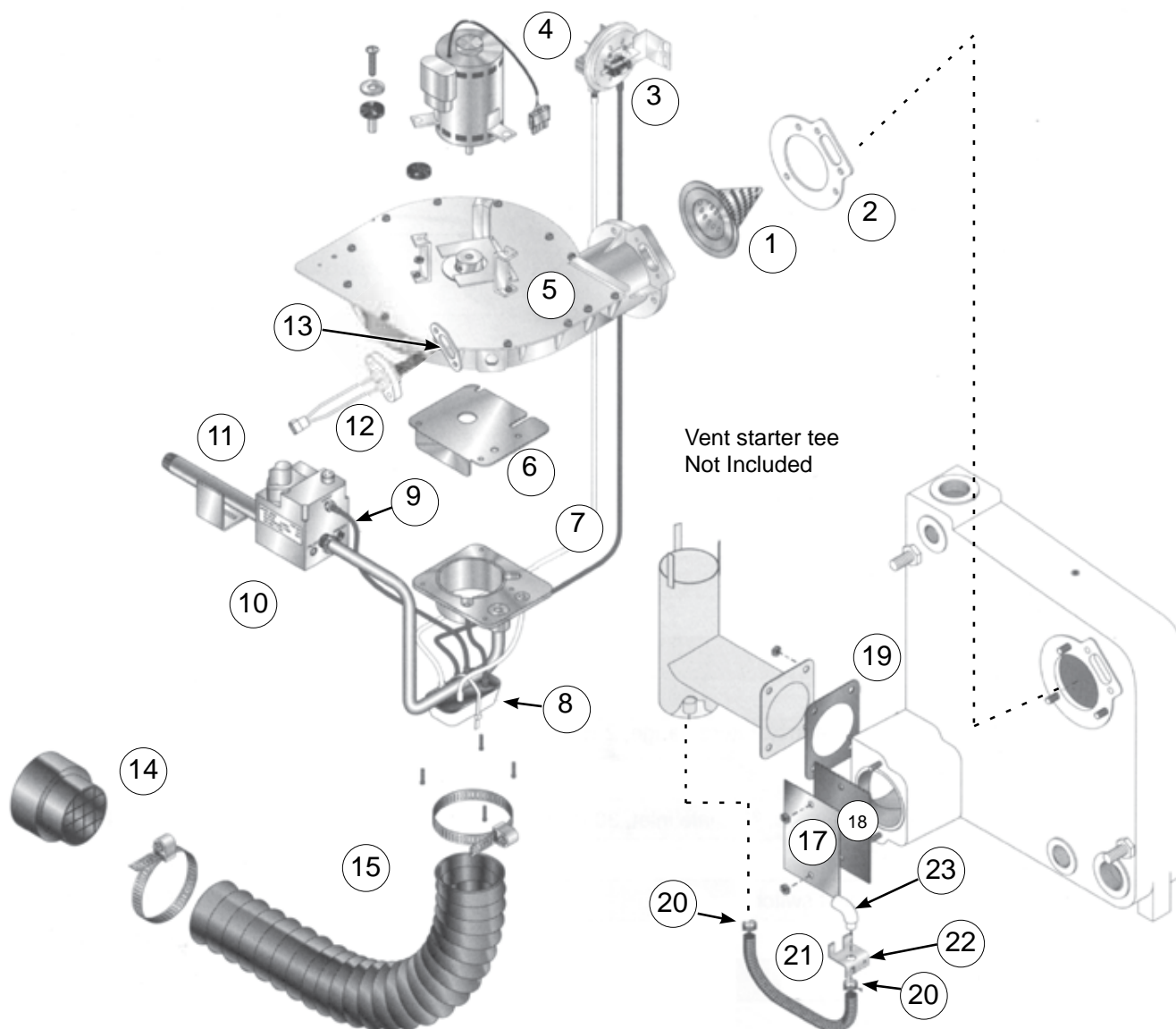


Fig. No.	Part No.	Description	Mfr.	Mfr's Part No.	Model
1	382-200-320	Burner Replacement Kit, burner cone and ring assembly, blower flange gasket, igniter, igniter gasket, igniter screws and washers	Weil-McLain		GV-3
	382-200-325		Weil-McLain	GV-4	
	382-200-330		Weil-McLain	GV-5	
	382-200-335		Weil-McLain	GV-6	
2	590-317-610	Blower Flange Gasket	Weil-McLain		
3	511-624-520	Pressure Switch (0 to 5500 ft. elevation) 1.4" W.C.	Honeywell	IS20292-5426	
	382-200-317	Pressure Switch Kit (5500 ft. to 10,000 ft. elevation) 1.25" W.C.	Honeywell	IS20292-5477	
4	382-200-345	Blower Motor Replacement Kit (Includes: Blower motor, motor mount grommets, screws, lock nuts, 9" tee handle Allen wrench)	Fsco	7162-2941	
5	382-200-340	Blower Assembly Replacement Kit (Includes: blower housing assembly, blower motor with mounting brackets, magnetic washer, blower flange gasket, igniter, igniter gasket, screws and washers)	Weil-McLain		

Fig. No.	Part No.	Description	Mfr.	Mfr's Part No.	Model
6	510-811-600	Natural to Propane Conversion Kit (Includes: propane orifice plate, label)			GV-3
	510-811-605				GV-4
	510-811-610				GV-5
	510-811-615				GV-6
	510-811-620				GV-3
	510-811-625				GV-4
	510-811-630				GV-5
	510-811-635				GV-6
7	382-200-355	Gas/Air Manifold Assembly (Includes: manifold, die casting, hose barbs, left hand threaded fitting for gas valve, and mounting bracket.) Series 3 boiler, with White-Rodgers or Robertshaw gas valve ONLY			
	382-200-362	Gas/Air Manifold Assembly (Includes: gas supply manifold, die casting, gas valve block, and mounting bracket.) Series 4 boiler, used with Honeywell gas valve ONLY			
8	382-200-409	Sense Line Condensate Kit (Includes: 2 white tubes, 3 red tubes and plastic condensate trap)			
9	590-317-647	1/8" Red Silicone Tubing From Gas Valve To Gas/Air Manifold			
10	382-200-410	Gas Valve Replacement Kit (Includes: Negative regulation gas valve, left hand thread adapter for outlet, hand valve, mounting bracket, 12 VDC, wiring harness with 24 VAC to 19-21 VDC rectifier.) Series 3 boiler, replaces White-Rodgers or Robert Shaw Gas valve ONLY	Honeywell	VK8115V-1176	
	382-200-411	Gas Valve Replacement Kit (Includes: Negative regulation gas valve, hand valve and mounting bracket.) Series 4 boiler, replaces Honeywell valve ONLY	Honeywell	VK8115V-1176	
	591-391-919	Wiring Harness 9 Pin Connector - control module to t-stat, limit switch, pressure switch, 19-21 VDC gas valve, and block limit switch. For Series 4, used with Honeywell VK8115V-1176 gas valve ONLY			
	591-391-820	Wiring Harness 9 Pin Connector - control module to t-stat, limit switch, pressure switch, 24VAC gas valve, and block limit switch. Series 3 boiler, used with White-Rodgers or Robertshaw gas valve ONLY			
12	511-330-148	Igniter Replacement Kit (Includes: igniter and gasket)	Norton	271Y	
13	590-317-599	Igniter Gasket			
14	382-200-310	Inlet Air Fitting, plastic with grill			
15,16	382-200-315	Inlet Air Kit (Includes: inlet air hose and 3" hose clamps)			
17	560-907-629	Inspection Port Cover			
18	590-317-628	Inspection Port Gasket			
19	590-317-629	Starter Tee Gasket			
20,21	382-200-385	Hose Trap Replacement Kit (Includes: 9.5" flexible drain hose and 2 clamps)			
22	452-100-112	Condensate Drain Bracket			
23	560-907-650	Cpvc Drain Elbow			
	382-200-406	Condensate Drain Line Check Valve Kit			
	382-200-430	Vent/air intake termination kit (Includes intake/exhaust cap, mounting and backing plate, exhaust tube spacer, hardware)			

### GV Series 3 Trim





## GV Series 3 Trim

Fig. No.	Part No.	Description	Mfr.	Mfr's Part No.
1	510-312-021	High limit temperature control, SPST, automatic recycle, 140-220°F, Range 30°F fixed differential, 1/2" N.P.T. brass control well.	Honeywell	L4080D-1228
2	511-546-920	ASME Pressure relief valve, 30 PSIG, 3/4" N.P.T. male inlet, brass, side 3/4" N.P.T. female outlet	Watts	M330
3	510-218-099	Combination Pressure-Temperature Gauge, 2 1/2" Dial, 0-60 PSIG, 70-250°F, short shank, back connection, 1/4" N.P.T. Spec. 199994	ENFM	4104
	Ametek		PT 1088	
	510-218-047	Combination Pressure-Temperature Gauge, 2 1/2" Dial, 0-60 PSIG, 70-250°F, short shank, back connection, 1/4" N.P.T. Spec. 199994, with shut-off	ENFM	4104-3-1/2-60
4	511-246-392	Drain valve, 3/4" N.P.T., 1 1/2" shank, brass	Hammond	710
5	511-405-113	System Circulator, 1/25 HP, 120/60/1 motor, 1,750 RPM, 0.75 AMPS	Taco	007F
		Bypass Circulator, 1/25 HP, 120/60/1 motor, 1,750 RPM, 0.75 AMPS	Taco	007F
6	590-317-543	Circulator gasket	Taco	110-339
7	381-354-525	1" Universal hardware kit (Includes: flange, gasket, screws and nuts)	Weil-McLain	
8	591-391-824	Wiring harness, dual circulators to control module	Weil-McLain	
	560-742-938	Cooper return bend, 1", requires 2-1" NPT x 1" sweat adapters which can be obtained locally	Weil-McLain	
	511-330-089	Water temperature sensor and clamp with 12" leads	Keystone	JW4465
			UT	JW4465
11	382-200-375	Block temperature switch 350° open - 250° close	Elmwood	2455 RC-174-113
<b>Additional Water Trim Components</b>				
12	510-148-565	Coin vent, 1/8" N.P.T. (Reducing coupling required)	Keeney	#4SN
13	510-632-088	Fill-Trol Diaphragm Expansion Tank, (Tank Only) with "O" Ring and special thread connection to fill valve	Amtrol	109
	510-632-089	Fill-Trol Diaphragm Expansion Tank, (Tank Only) with "O" Ring and special thread connection to fill valve	Amtrol	110
14	511-210-433	Fill Valve, angle style – 90° with built in strainer, pressure reducer, check valve, and manual shut-off	Conbraco	MX3907
	382-200-420	Fill-Trol Package, tank kit with fittings	Amtrol	109
	382-200-425	Fill-Trol Package, tank kit with fittings	Amtrol	110

### GV Series 3 Jacket

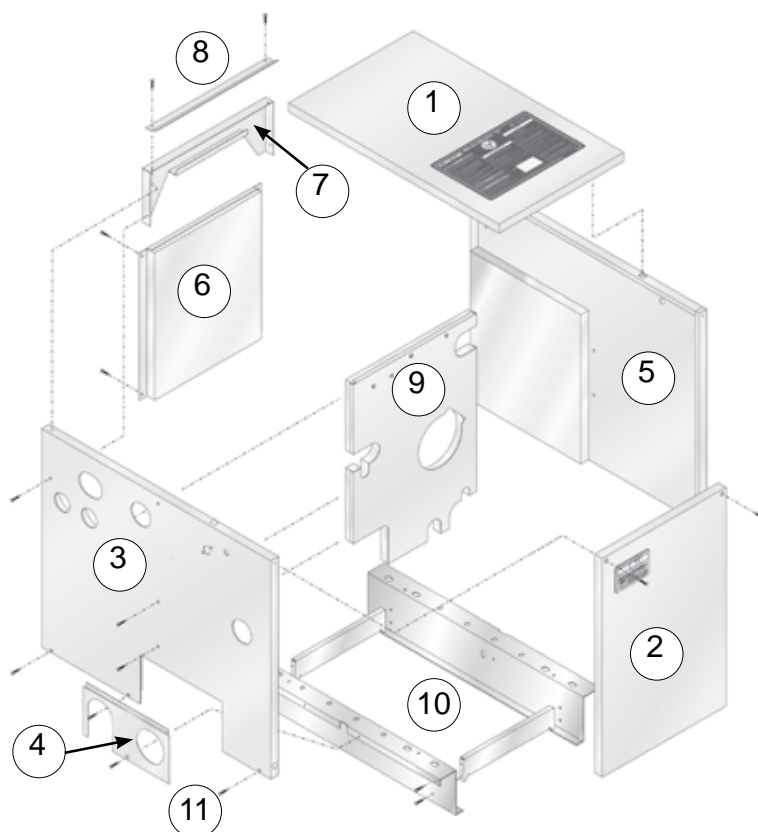


Fig. No.	Part No.	Description	Boiler Size
1	381-355-762	Top Panel	3
	381-355-769		4
	381-355-766		5
	381-355-770		6
2	381-355-764	Front Door Less Pocket	All
	422-200-139	Pocket For Front Door	All
3	381-355-763	Left Side Panel	3
	381-355-765		4
	381-355-767		5
	381-355-768		6
4	422-200-230	Left Side Panel Access	All
5	422-200-224	Right Side Panel	3 & 4
	422-200-226		5 & 6
6	422-200-135	Rear Panel	All
7	422-200-232	Top Rail Brace	All
8	422-200-137	Top Rail Cross Tie	All
8	422-200-228	Interior Panel	All
10		Base Rail Assembly Parts – See section assembly parts	
11	569-928-025	Jacket Hardware Kit (Includes: jacket screws and 2 plastic male and female fasteners for top panel)	All
	592-000-000	Gold Touch Up Paint	All

## GV Series 3 Ignition Controls

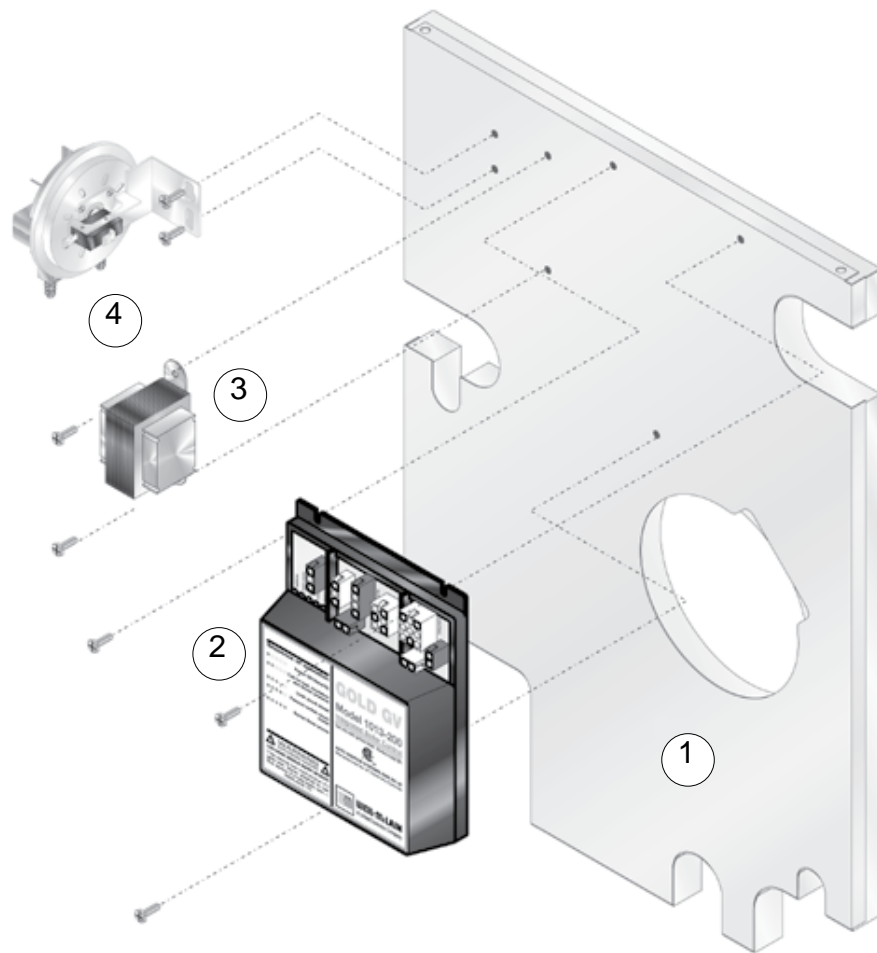
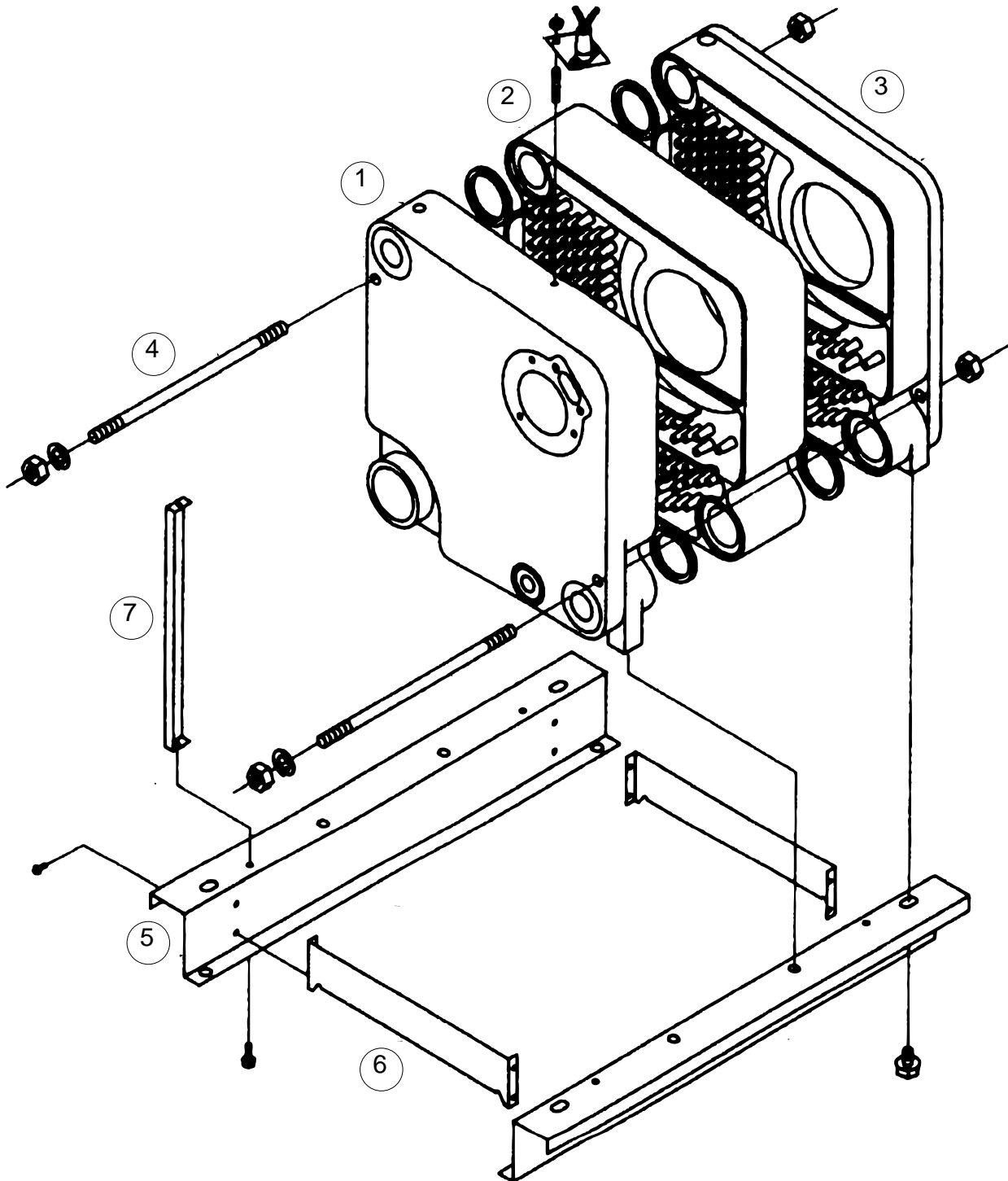


Fig. No.	Part No.	Description	Mfr.	Mfr's Part No.
1	422-200-228	Interior Panel Less Controls	Weil-McLain	
2	382-200-448	Gold Control Module	United Technology	1013-200
3	511-842-370	Transformer, 120 to 24 Volt, 40 VA with plug-in connectors	Honeywell	AT140B1297
4	511-624-520	Air Pressure Switch, 0 to 5500 ft. elevation	Honeywell	IS20292-5426
	511-624-521	Air Pressure Switch, 5500 to 10,000 ft. elevation	Honeywell	IS20292-5477
	511-330-148	Igniter Replacement Kit (Includes: igniter and gasket)	Norton	271Y
	590-317-599	Igniter Gasket	Weil-McLain	
	591-391-819	Wiring Harness – control module to igniter	Weil-McLain	
	591-391-891	Wiring Harness – control module to junction box	Weil-McLain	
	591-391-824	Wiring Harness – control module to system and bypass circulators	Weil-McLain	
	591-391-919	Wiring Harness 9 pin connector - control module to t-stat, limit switch, pressure switch, 19-21 VDC gas valve, and block limit switch. For Series 4, used with Honeywell VK8115V-1176 gas valve ONLY	Weil-McLain	
	591-391-820	Wiring Harness 9 pin connector - control module to t-stat, limit switch, pressure switch, 24VAC gas valve, and block limit switch. Series 3 boiler, used with White-Rodgers or Robertshaw gas valve ONLY	Weil-McLain	

GV Series 1 & 2 Section Assembly



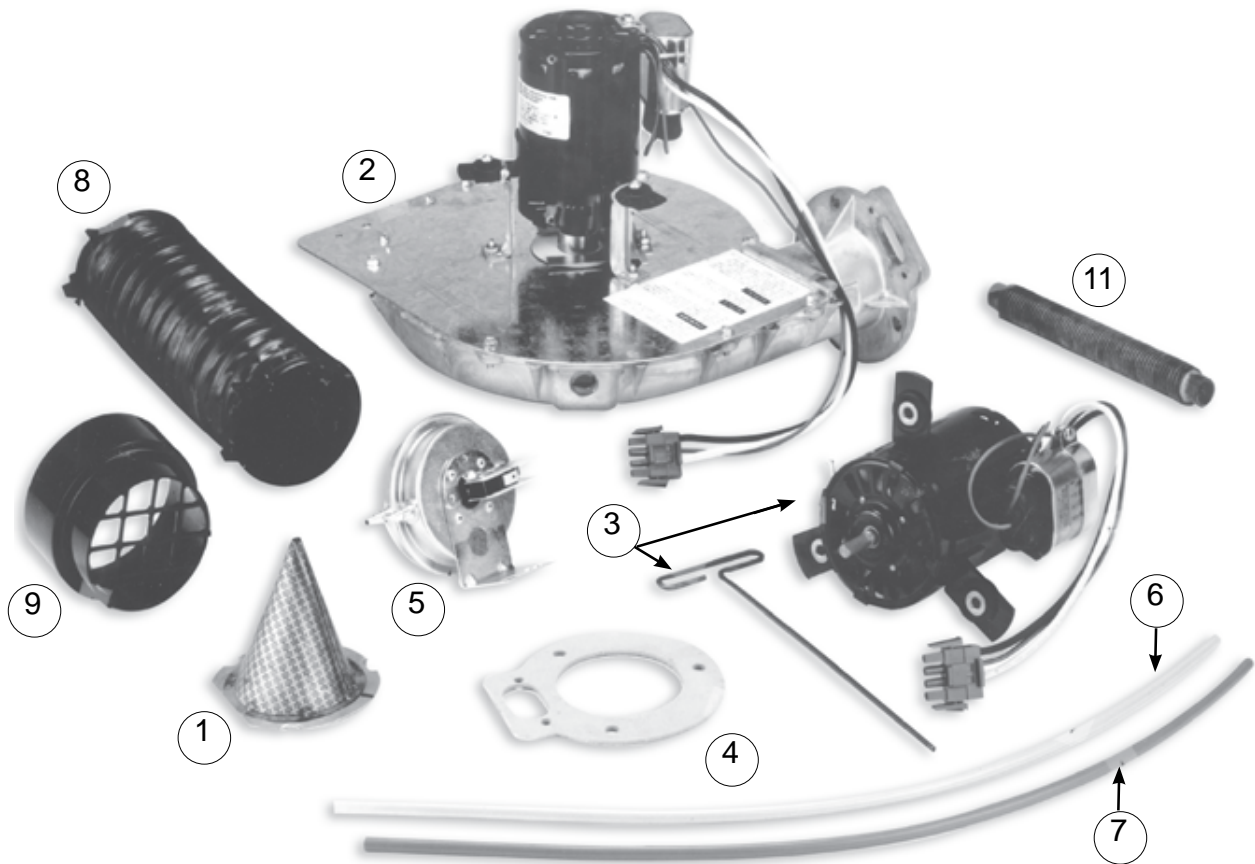
## GV Series 1 &amp; 2 Section Assembly

Fig. No.	Part No.	Description	Series No.	Model
	See Note 1	Section Assembly, (Repair Kit Required)	1	GV-3
		Section Assembly, (Repair Kit Required)	1	GV-4
		Section Assembly, (Repair Kit Required)	1	GV-5
		Section Assembly, (Repair Kit Required)	1	GV-6
	322-200-240	Section Assembly, (Repair Kit Required)	1,2	GV-3
	322-200-245	Section Assembly, (Repair Kit Required)	1,2	GV-4
	322-200-250	Section Assembly, (Repair Kit Required)	1,2	GV-5
	322-200-255	Section Assembly, GV-6 (Repair Kit Required)	1,2	GV-6
	382-200-390	Repair Kit for replacing entire block, (Includes: water tubing-pump to return, 1" N.P.T. male adapters, blower flange gasket, igniter and gasket, screws, studs, nuts, washers)	2	All
	382-200-461	Repair Kit for replacing entire block, (Includes: water tubing-pump to return, 1" N.P.T. male adapters, blower flange gasket, igniter and gasket, screws, studs, nuts, washers)	1	
1	312-200-140	Front Section 3914 (Repair Kit Required)	2	
2	312-200-110	Intermediate Section 3915 (Repair Kit required)	1,2	
3	312-200-130	Back Section 3918 (Repair Kit Required)	1,2	
	382-200-300	Repair Kit, Front Section (Includes: square cut seals, silicone sealant, tie rod washers, water tubing-pump to return, 1" N.P.T. male adapters, blower flange gasket, igniter, igniter gasket, screws, studs, washers, nuts)	1,2	
	382-200-305	Repair Kit, Intermediate/ Back Sections (Includes square cut seals, silicone sealant, tie rod nuts, tie rod washers) 1 Kit per Joint	1,2	
4	560-234-499	7/16" Tie Rod without Nut (2 per Boiler): (10-1/2")	1,2	GV-3
4	560-234-525	7/16" Tie Rod without Nut (2 per Boiler): 14"	1,2	GV-4
4	560-234-503	7/16" Tie Rod without Nut (2 per Boiler): (18")	1,2	GV-5
4	560-234-504	7/16" Tie Rod without Nut (2 per Boiler): (21")	1,2	GV-6
4	561-928-235	Regular Hex Nut 7/16" (2 per Tie Rod)	1,2	
4	562-248-684	Washer, Medium Plain Split Lock 7/16 (1 per Tie Rod)	1,2	
5	452-100-101	Base Rail Leg	1,2	GV-3
5	452-100-102	Base Rail Leg	1,2	GV-4
5	452-100-103	Base Rail Leg	1,2	GV-5
5	452-100-104	Base Rail Leg	1,2	GV-6
6	452-100-080	Base Rail Brace	1,2	
7	452-100-111	Blower Housing Support	1,2	

## Notes:

Series 1 block assembly for GV boilers no longer available. Series 2 block can be used on Series 1 boiler. Only difference is bypass tapping on top of front section is 3/4" on series 2 block and 1/2" on series 1 block. Use 3/4" x 1/2" bushing and/or see Tech Bulletin SB0401R1 at our web site, [www.weil-mclain.com](http://www.weil-mclain.com).

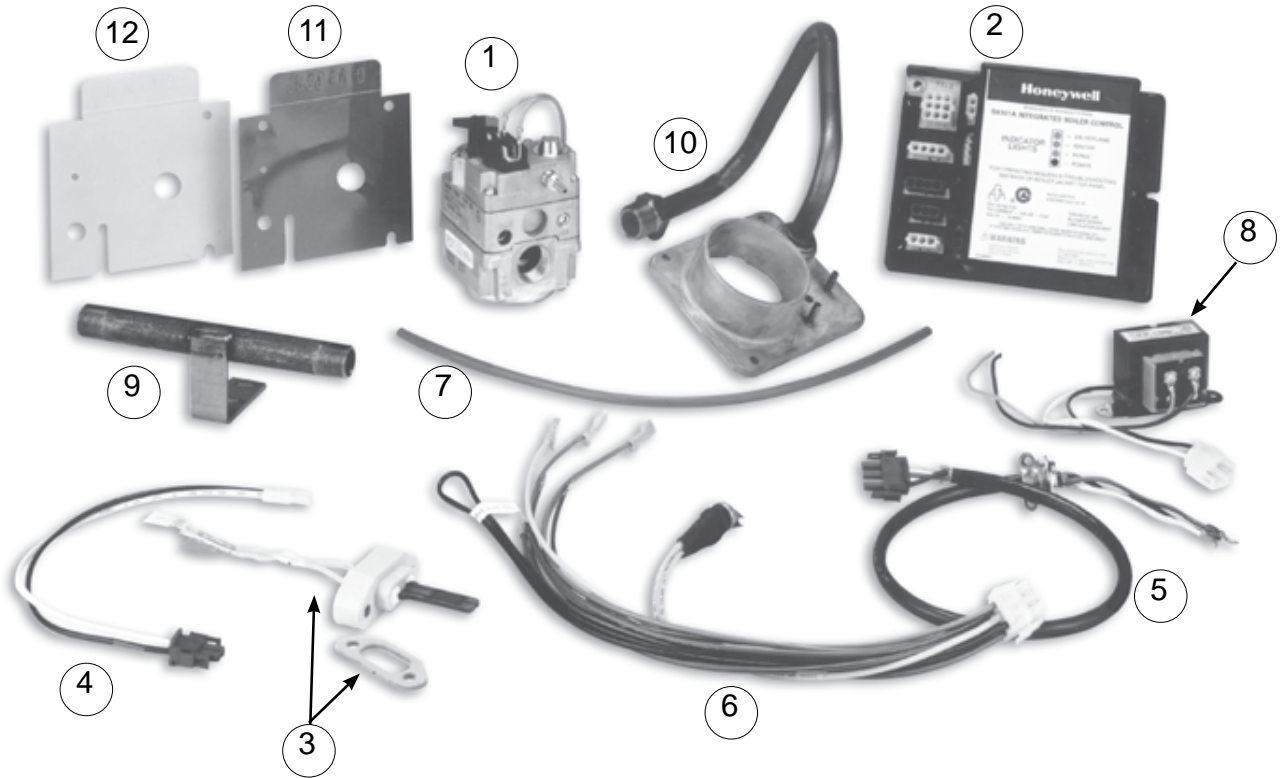
## GV Series 1 &amp; 2 Blower Assembly



## GV Series 1 &amp; 2 Blower Assembly

Fig. No.	Part No.	Description	Mfr.	Mfr's Part No.	Model
1	382-200-320	Burner Replacement Kit, burner cone and ring assembly, blower flange gasket, igniter, igniter gasket, igniter screws and washers			GV-3
	382-200-325				GV-4
	382-200-330				GV-5
	382-200-335				GV-6
2	382-200-340	Blower Assembly Replacement Kit blower housing assembly, blower motor with mounting brackets, magnetic washer, blower flange gasket, igniter, igniter gasket, screws and washers.			
3	382-200-345	Blower Motor Replacement Kit Blower motor, motor mount grommets, screws, lock nuts, 9" tee handle Allen wrench.	Fasco	7162-2941	
4	590-317-610	Blower Flange Gasket			
NS	590-317-599	Igniter Gasket			
5	511-624-520	Pressure Switch (0 to 5,500 ft. elevation) 1.4" W.C.	Honeywell	IS20292-5426	
	382-200-317	Pressure Switch Kit (5,500 ft. to 10,000 ft. elevation) 1.25" W.C.	Honeywell	IS20292-5477	
6, 7	382-200-409	Sense Line Condensate Kit (Includes: 2 white pressure switch tubes, 3 red pressure switch tubes and plastic condensate trap)			
8	382-200-315	Inlet Air Hose Replacement Kit (Includes: 13" black flexible intake hose with clamps)			
9	382-200-310	Inlet Air Fitting, plastic, with grill			
	382-200-350	Vent Ell Replacement Kit, Stainless Steel (Includes: vent ell with drain barb, sealant, hose clamp screws, and instructions)			
11	382-200-385	Hose Trap Replacement Kit (Includes: 9.5" flexible drain hose and 2 clamps)			
	699-999-021	Vent Starter/Termination Retrofit Kit (Includes stainless vent ell with drain barb, standard straight 3" stainless starter, stainless termination coupling, High Temp Silicone, Black plastic intake/exhaust plate, stainless wall mount plate, hardware, and instructions)	Saf-T-Vent		
	382-200-430	Intake/exhaust Termination Kit (Includes: black plastic intake/exhaust cap, mounting and backing plate, hardware, and instructions)			
	382-200-406	Condensate drain line check valve kit			All

## GV Series 1 & 2 Gas and Ignition Controls





## GV Series 1 &amp; 2 Gas and Ignition Controls

Fig. No.	Part No.	Description	Mfr.	Mfr's Part No.	Model
1	382-200-410	Gas Valve Replacement Kit (Includes: Negative regulation gas valve, left hand thread adapter for outlet, hand valve, mounting bracket, 12 VDC, wiring harness with 24 VAC to 19-21 VDC rectifier)	Honeywell	VK8115V-1176	
2	382-200-448	Gold Control Module Conversion kit (Includes: module, circulator harness, temperature sensor jumper)	United Technology	1013-200	
3	511-330-148	Igniter Replacement Kit (Includes: Norton 271Y igniter, gasket and screws)	Norton	271Y	
NS	590-317-599	Igniter Gasket	Weil-McLain		
4	591-391-819	Wiring Harness – control module to igniter	Weil-McLain		
5	591-391-821	Wiring Harness – control module to junction box	Weil-McLain		
6	591-391-820	Wiring Harness 9 pin connector, control module to t-stat, limit switch, pressure switch, 24VAC gas valve, and block limit switch. Used with White-Rodgers or Robertshaw gas valve.	Weil-McLain		
NS	591-391-919	Wiring Harness 9 pin connector, control module to t-stat, limit switch, pressure switch, 19-21 VDC gas valve, and block limit switch. Used only with Honeywell VK8115V-1176 gas valve	Weil-McLain		
7	382-200-409	Pressure Switch Tubing – replaced by Sense Line Condensate Kit (Includes: 2 white pressure switch tubes, 3 red pressure switch tubes and plastic condensate trap)			
8	511-842-370	Transformer 120 VAC to 24 VAC, 40 VA	Honeywell	AT140B1297	
9	591-126-800	Gas Supply manifold with bracket	Weil-McLain		
10	382-200-355	Gas/Air Manifold assembly (Includes: manifold, die casting, hose barbs, left hand threaded fitting for gas valve)	Weil-McLain		
11	510-811-600	Natural to Propane Conversion Kit (Includes: propane orifice plate, label)	Weil-McLain		GV-3
	510-811-605	Natural to Propane Conversion Kit (Includes: propane orifice plate, label)	Weil-McLain		GV-4
	510-811-610	Natural to Propane Conversion Kit (Includes: propane orifice plate, label)	Weil-McLain		GV-5
	510-811-615	Natural to Propane Conversion Kit (Includes: propane orifice plate, label)	Weil-McLain		GV-6
12	510-811-620	Propane to Natural Conversion Kit (Includes: natural orifice plate, label)	Weil-McLain		GV-3
	510-811-625	Propane to Natural Conversion Kit (Includes: natural orifice plate, label)	Weil-McLain		GV-4
	510-811-630	Propane to Natural Conversion Kit (Includes: natural orifice plate, label)	Weil-McLain		GV-5
	510-811-635	Propane to Natural Conversion Kit (Includes: natural orifice plate, label)	Weil-McLain		GV-6

### GV Series 1 & 2 Trim



## GV Series 1 &amp; 2 Trim

Fig. No.	Part No.	Description	Mfr.	Mfr's Part No.
1	510-312-021	High limit temperature control, SPST, automatic recycle, 140-220°F, Range 30°F fixed differential, 1/2" N.P.T. brass control well, no remote capillary, mounts directly on well.	Honeywell	L4080D-1228
2	511-546-920	ASME Pressure relief valve, 30 PSIG, 3/4" N.P.T. male inlet, brass, side 3/4" N.P.T. female outlet	Watts	M330
3	510-218-099	Combination Pressure-Temperature Gauge, 2 1/2" dial, 0-60 PSIG, 70-250°F, short shank, back connection, 1/4" N.P.T.	Amekai	OS234-JDTW-002
4	511-210-423	Drain valve, 3/4" N.P.T., 1 1/2" shank, brass	Weil-McLain	
5	511-405-113	Circulator, 1/25 HP, 120/60/1 Motor, 1,750 RPM, .75 amps	Taco	007
	511-405-116	Circulator, 1/12 HP, 120/60/1 Motor, 1,750 RPM	Bell & Gossett	100 Series
NS	590-317-535	Circulator Gasket, Diamond Universal (Two required per circulator)	Weil-McLain	
7	386-354-525	Circulator Hardware Kit, (Includes: 1 flange, 2 bolts, 2 nuts, 1 gasket, 1" N.P.T, Fits Taco circulators)	Weil-McLain	
8	591-391-818	Wiring Harness, Control Module to Circulator	Weil-McLain	
NS	Obsolete	GV Mixing Valve Replacement Kit Ser 1, to Ser 2 (See Weil-McLain Technical Service Bulletin SB0401R1)		
9	Obsolete	Mixing Valve, Series 2 (See Weil-McLain Technical Service Bulletin SB0401R1)		
10	Obsolete	Mixing Valve Repair Kit (See Weil-McLain Technical Service Bulletin SB0401R1)		
11	382-200-375	Block Temperature Switch Kit (Includes: block switch (350° Open, 250° Close) and mounting bracket )		
12	510-148-567	Automatic Air Vent, Float Type, 1/8" N.P.T.	Taco	400-3
NS	561-013-849	Reducing Coupling, 1/2" x 1/8" N.P.T. for Taco Air Vent	Weil-McLain	
13	510-632-088	Fill-Trol Diaphragm Expansion Tank, (Tank Only) with "O" Ring and special thread connection to fill valve – for GV 3 –5	Amtrol	109
	510-632-089	Fill-Trol Diaphragm Expansion Tank, (Tank Only) with "O" Ring and special thread connection to fill valve – for GV 6	Amtrol	110
14	511-210-433	Fill Valve, angle style – 900 with built in strainer, pressure reducer, check valve, and manual shut-off	Conbraco	MX3907
	382-200-420	Fill-Trol Package tank kit with fittings – for GV 3 –5	Amtrol	109
	382-200-425	Fill-Trol Package tank kit with fittings – for GV-6	Amtrol	110
	560-742-938	Copper return bend, 1", requires 2 – 1" N.P.T. x 1" sweat adapters which may be obtained locally	Weil-McLain	

## GV Series 1 &amp; 2 Jackets

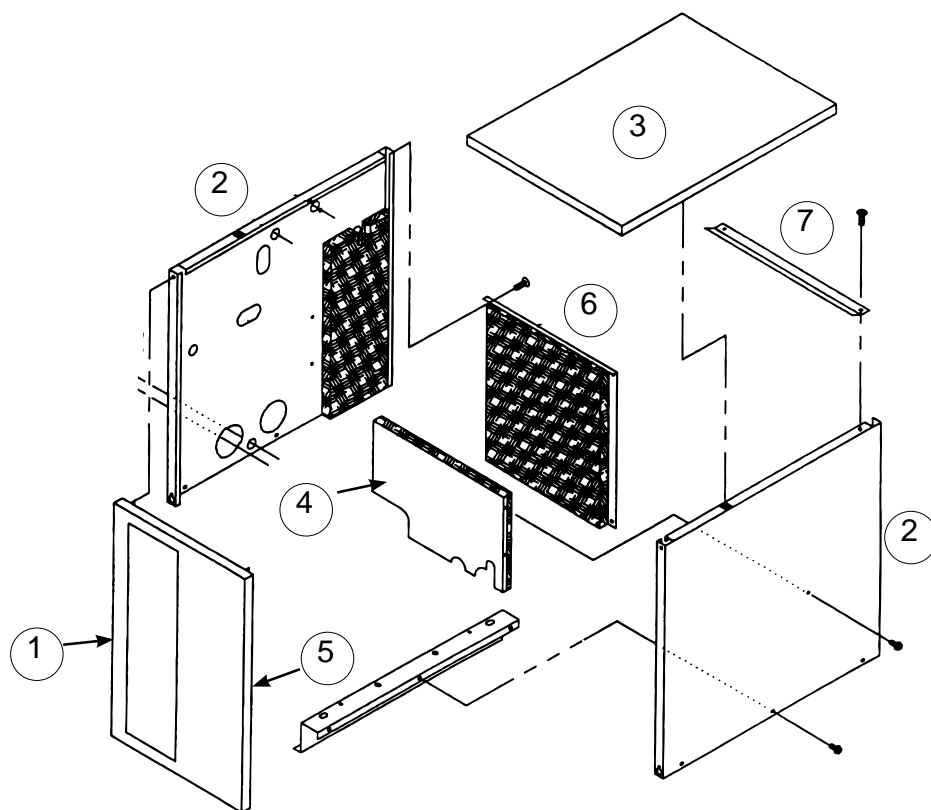
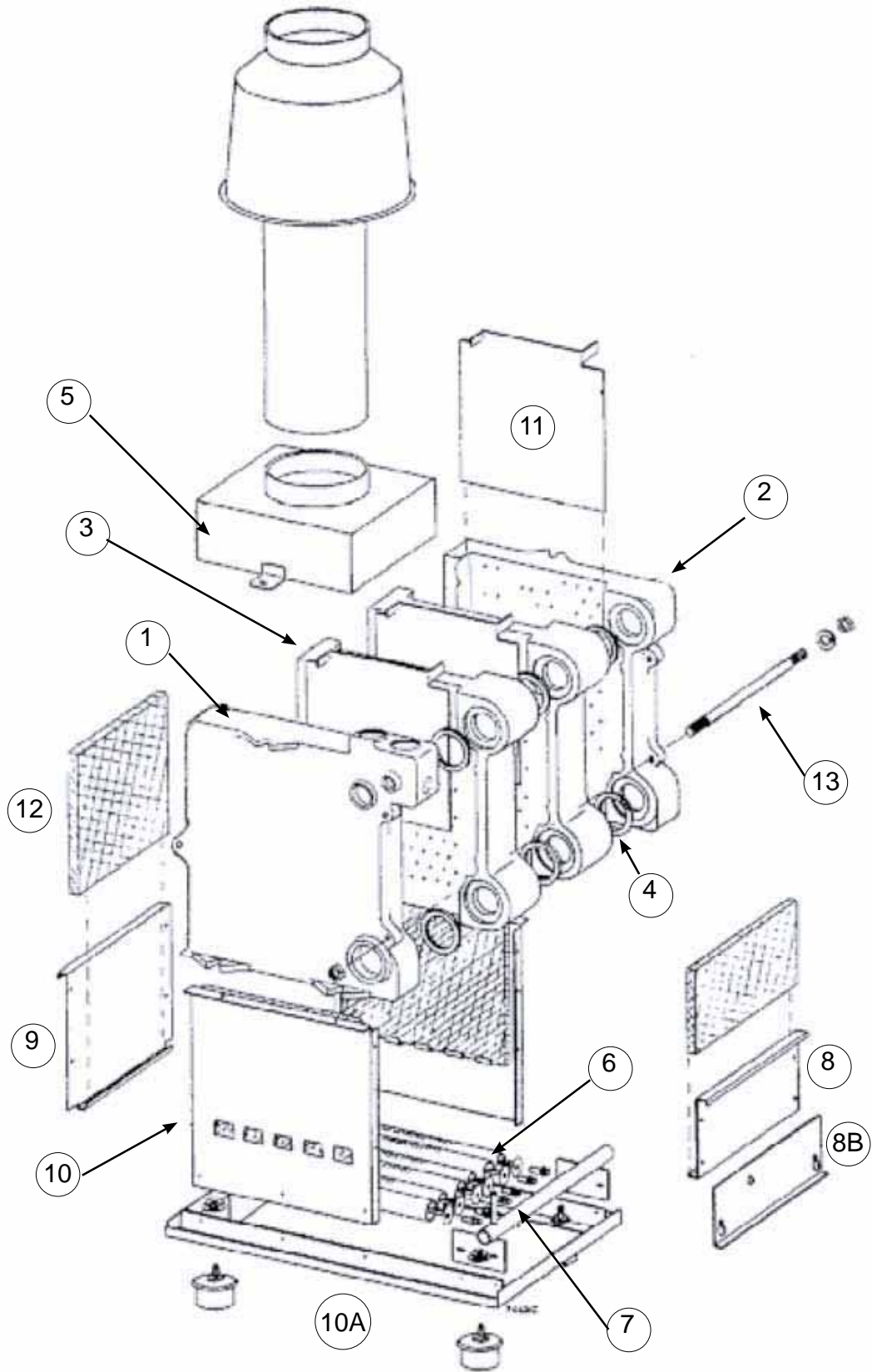


Fig. No.	Part No.	Description	Boiler Size
	569-928-025	Jacket Hardware Kit (Includes jacket screws and 2 plastic male and female fasteners for top panel)	All
1	422-200-140	Jacket panel, front (order #5 if required)	All
3	422-200-146	Jacket panel, top	4
	422-200-150		5
5	422-200-139	Jacket front panel, pocket (order with #1 if required)	All
6	422-200-135	Jacket panel, back	All
7	422-200-137	Jacket panel cross tie	All
NS	592-000-000	Gold Touch Up Paint	All

Note: All other jacket parts for series 1 & 2 GV boilers are obsolete with no parts remaining.

# NOTES

### CG Section and Base Assembly Series 1 through 12



## CG Section and Base Assembly Series 1 through 12

Fig. No.	Part No.	Description	Series No.
1	311-103-851	Left Hand End Section 51124	9-12
2	311-103-821	Right Hand End Section 51128	9-12
3	311-103-818	Intermediate Section 51125	9-12
	321-114-286	Section Assembly: CGM, P-CG(m) 25,3	9-12
	321-114-287	Section Assembly: CGM, P-CG9(m) 4	9-12
	321-114-288	Section Assembly: CGM, P-CG(m) 5	9-12
	321-114-289	Section Assembly: CGM, P-CG(m) 6	9-12
	321-114-290	Section Assembly: CGM, P-CG(m) 7	9-12
	321-114-291	Section Assembly: CGM, P-CG(m) 8	9-12
	381-354-527	Section Replacement Kit (One per Joint)	9-12
4	592-800-011	Square Cut Seal 2"	8-12
	591-602-913	Retort Cement – 1 quart	All
	591-638-850	Silicone Sealant – RTV 700, 10.3 oz. tube	8-12
	591-706-214	Flue-way Brush	All
	381-354-523	Well for Limit Control	9-12
	450-021-240	Vertical Draft Hood CG(m)-25	9-12
	450-021-241	Vertical Draft Hood CG(m)-3	9-12
	450-021-242	Vertical Draft Hood CG(m)-4	9-12
	450-021-243	Vertical Draft Hood CG(m)-5	9-12
	450-021-244	Vertical Draft Hood CG(m)-6	9-12
	450-021-245	Vertical Draft Hood CG(m)-7	9-12
	450-021-246	Vertical Draft Hood CG(m)-8	9-12
	381-354-625	Collector hood replacement kit, CG 25	11-12
	381-354-626	Collector hood replacement kit, CG 3	9-12
	381-354-627	Collector hood replacement kit, CG 4	9-12
5	381-354-628	Collector hood replacement kit, CG 5	9-12
	381-354-629	Collector hood replacement kit, CG 6	9-12
	381-354-630	Collector hood replacement kit, CG 7	9-12
	381-354-631	Collector hood replacement kit, CG 8	9-12
	560-528-989	Natural Gas Orifice 46 Drill 7/16" Hex, 1/8" N.P.T.	5-8
	560-528-990	LP Gas Orifice 56 Drill 7/16" Hex, 1/8" N.P.T.	5-8
	560-528-997	Natural Gas Orifice 2.0mm Drill, 7/16" Hex, 1/8" N.P.T.	9-12
	560-528-998	LP Gas Orifice 1.3mm Drill, 7/16" Hex, 1/8" N.P.T.	9-12
	512-200-078	Stainless Steel Burner with pilot bracket, See Note 1	5-8
6	512-200-077	Stainless Steel Regular Burner, See Note 1	5-12
	512-200-078	Steel Pilot Burner with pilot bracket, PI version only, See Note 1	9-12
	512-200-079	Steel Regular Burner with pilot bracket, SP version only, See Note 1	9-12

## CG Section and Base Assembly Series 1 through 12

	450-003-742	Base Burner Rest CG(m)-25	8-12
	450-003-736	Base Burner Rest CG(m)-3	8-12
	450-003-737	Base Burner Rest CG(m)-4	8-12
	450-003-738	Base Burner Rest CG(m)-5	8-12
	450-003-739	Base Burner Rest CG(m)-6	8-12
	450-003-740	Base Burner Rest CG(m)-7	8-12
	450-003-741	Base Burner Rest CG(m)-8	8-12
7	591-126-615	Manifold CG(m)-25	7-12
	591-126-616	Manifold CG(m)-3	7-12
	591-126-617	Manifold CG(m)-4	7-12
	591-126-618	Manifold CG(m)-5	7-12
	591-126-619	Manifold CG(m)-6	7-12
	591-126-556	Manifold CG(m)-7	7-12
	591-126-557	Manifold CG(m)-9	7-12
8	460-003-777	Base Front Cross Tie CG(m)-25, 3	4-12
	460-003-778	Base Front Cross Tie CG(m)-4	4-12
	460-003-779	Base Front Cross Tie CG(m)-5	4-12
	460-003-780	Base Front Cross Tie CG(m)-6	4-12
	460-003-781	Base Front Cross Tie CG(m)-7	4-12
	460-003-782	Base Front Cross Tie CG(m)-8	4-12
8B	460-003-741	Base Access Panel CG(m)-25, 3	4-12
	460-003-742	Base Access Panel CG(m)-4	4-12
	460-003-743	Base Access Panel CG(m)-5	4-12
	460-003-744	Base Access Panel CG(m)-6	4-12
	460-003-745	Base Access Panel CG(m)-7	4-12
	460-003-746	Base Access Panel CG(m)-8	4-12
9	460-003-701	Base Back Cross Tie CG(m)-25, 3	4-12
	460-003-702	Base Back Cross Tie CG(m)-4	4-12
	460-003-703	Base Back Cross Tie CG(m)-5	4-12
	460-003-704	Base Back Cross Tie CG(m)-6	4-12
	460-003-705	Base Back Cross Tie CG(m)-7	4-12
	460-003-706	Base Back Cross Tie CG(m)-8	4-12
10	460-003-710	Base Side Panel	4-12
	381-354-355	Base Replacement Carton CG9(m)-25	4-12
	381-354-356	Base Replacement Carton CG(m)-3	1-12
	381-354-357	Base Replacement Carton CG(m)-4	1-12
	381-354-358	Base Replacement Carton CG(m)-5	1-12
	381-354-359	Base Replacement Carton CG(m)-6	1-12
	381-354-360	Base Replacement Carton CG(m)-7	1-12
	381-354-361	Base Replacement Carton CG(m)-8	4-12
	450-030-474	Base Pan Angle R.H.	8-12
	450-030-475	Base Pan Angle L.H.	8-12



## CG Section and Base Assembly Series 1 through 12

10A	450-003-730	Base Pan CG(m)-25, 3	8-12
	450-003-731	Base Pan CG(m)-4	8-12
	450-003-732	Base Pan CG(m)-5	8-12
	450-003-733	Base Pan CG(m)-6	8-12
	450-003-734	Base Pan CG(m)-7	8-12
	450-003-735	Base Pan CG(m)-8	8-12
11	460-003-700	Radiation Plate w/ Horizontal Bends (1 per Joint)	7-12
12	381-354-518	Base Replacement Insulation Carton CG(m) 25-5	4-12
	381-354-519	Base Replacement Insulation Carton CG(m) 6-7	4-12
	590-424-252	Base Leg Assembly 1-1/2" Gray (4 per boiler)	8-12
13	560-234-500	7/16" X 9" Tie Rod w/o Nut (3 per Boiler) CG(m)-25, 3	8-12
	560-234-501	7/16" X 12" Tie Rod w/o Nut (3 per Boiler) CG(m)-4	8-12
	560-234-502	7/16" X 15" Tie Rod w/o Nut (3 per Boiler) CG(m)-5	8-12
	560-234-503	7/16" X 18" Tie Rod w/o Nut (3 per Boiler) CG(m)-6	8-12
	560-234-504	7/16" X 21" Tie Rod w/o Nut (3 per Boiler) CG(m)-7	8-12
	560-234-505	7/16" X 24" Tie Rod w/o Nut (3 per Boiler) CG(m)-8	8-12
	561-928-215	7/16" Hex Nut	8-12
	562-248-690	7/16" Washer Medium Plain Split Lock	8-12

## NOTES:

1: Number of burners: CG-25 – 2 main burners & 1 burner w/ Pilot bracket, CG-3 – 3 main burners & 1 burner w/ Pilot bracket, CG-4 – 5 main burners & 1 burner w/ Pilot bracket, CG-5 – 7 main burners & 1 burner y./Pilot bracket, CG-6 – 9 main burners & 1 burner w/ Pilot bracket, CG-7 – 11 main burners & 1 burner w/ Pilot bracket, CG-8 – 13 main burners & 1 burner w/ Pilot bracket.

## CG/CGM Series 9 &amp; 10 Standing Pilot

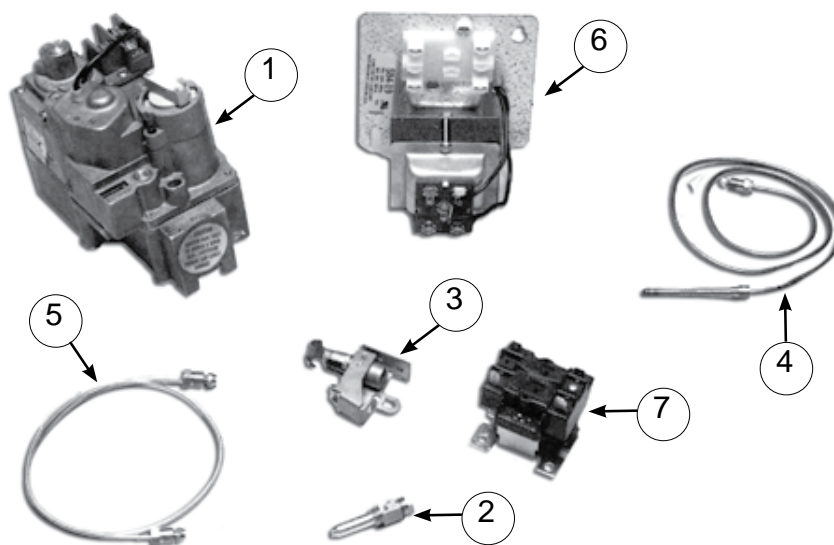


Fig. No.	Part No.	Description	Mfr.	Mfr.'s Part No.	Boiler Size
<b>Components for Natural Gas</b>					
1	511-044-360	Combination Gas Valve, ½" X ½" N.P.T., 24 Volt	Honeywell	VR8200A2116	25 – 6
			Robertshaw	7AO-A1B-042	
	511-044-256	Combination Gas Valve, Step Opening (1.2 Step) ¾" X ¾" N.P.T., 24 Volt	Honeywell	VR8300C4050	7 – 8
			Honeywell	VR800C1307	
NS	560-528-980	Natural Gas Pilot Orifice, .018 Dia.	Beckett Gas	P18U2	All
<b>Components for Propane Gas</b>					
NS	NA	Combination Gas Control Valve, ½" x ½" N.P.T., 24 Volt, Propane Gas, need regulator below	Honeywell	VR800A-1152	25 – 6
		Propane Regulator for VR800A-1152	Honeywell	V5306B-1033	25 – 6
		Combination Gas Control Valve, ¾" x ¾" N.P.T., 24 Volt Propane Gas, need regulator below, CG7 – CG8	Honeywell	VR800C-1302	7 – 8
	NA	Propane Regulator for VR800C-1302	Honeywell	V5307A-1240	7 – 8
NS	560-528-985	Propane Gas Pilot Orifice, .010 Dia.	Beckett Gas	P10U1	All
<b>Components for Natural and Propane Gas</b>					
3	511-330-197	Safety Pilot Burner, Constant Burning, Thermally Supervised	Beckett Gas	E38A1	All
4	511-724-253	Thermocouple, 48" Long	White-Rodgers	H06E048-02B1	All
5	560-742-860	Pilot Tubing, 1/8" O.D. Alum. X 22 ¾" Long with Compression Fittings	Weil-McLain		All
6	510-312-166	Combination Transformer-Relay Receptacle, 120/24 Volt, 40VA	White-Rodgers	S84A-85	All
			Honeywell	R8285K-1004	All
			Products Unlimited	57-01E07C5F23	All

## CG/CGM Series 9 &amp; 10 Standing Pilot

Fig. No.	Part No.	Description	Mfr.	Mfr.'s Part No.	Boiler Size
7	510-350-223	Plug-In Relay, DPST, 24 Volt Holding Coil	Honeywell	R8222U-1006	All
			White-Rodgers	91-322000-11000	All
6,7	510-312-167	Combination Transformer and DPST relay, 120/24 Volt, 40 VA	Honeywell	R8285D1000	All
	512-050-230	Rollout Thermal Fuse Element, 228°C	Elmwood Sensors	RD226-001	All
			Thermodisc Inc.	GM0604121C	All
	510-300-013	Spill Switch with Reset, 210°C	Elmwood Sensor	2455RM 81740201	CG(m) 25
	510-300-014	Spill Switch with Reset, 2400 C	Elmwood Sensor	2455RM 8058081	CG(m) 3-8

## CG/CGM Series 10 Millivolt

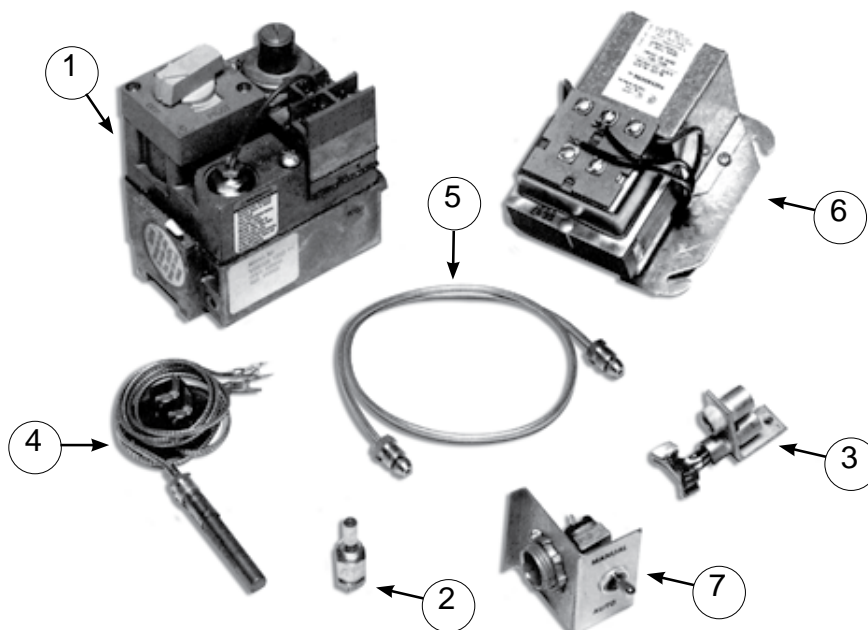


Fig. No.	Part No.	Description	Mfr.	Mfr.'s Part No.	Boiler Size
<b>Components for Natural Gas</b>					
1N	511-044-239	Combination Gas Valve, ½" X ½" N.P.T., Milli-volt	Honeywell	VS820A-1252	25 – 6
2N	560-528-950	Natural Gas Pilot Orifice, .026 Dia.	Beckett Gas	P18U2	All
<b>Components for Propane Gas</b>					
1P	NA	Combination Gas Control Valve, ½" x ½" N.P.T., 24 Volt, Propane Gas, need regulator below	Honeywell	VS820A-1286	25 – 6
1P	NA	Combination Gas Control Valve, ¾" x ¾" N.P.T., Milli-volt, Step Opening with 3.0 step, need propane regulator below,	Honeywell	VS820C-1381	7 – 8
1P	NA	Propane Regulator	Honeywell	V5307A-1240	7-8l
<b>Components for Natural and Propane Gas</b>					
3	511-330-186	Safety Pilot Burner, Constant Burning, Thermally Supervised	Honeywell	Q327A-1642	All
4	511-724-249	Power-pile Milli-volt Generator with Spade Terminal Block, 35" Long	Honeywell	Q313B-2005	All
5	560-742-860	Pilot Tubing, 1/8" O.D. Alum. X 22 ¾" Long with Compression Fittings	Weil-McLain		All
6	510-312-167	Combination Transformer and DPST relay, 120/24 Volt, 40 VA	Honeywell	R8285D1000	All
	512-050-230	Rollout Thermal Fuse Element, 228°C	Elmwood Sensors	RD226-001	All
			Thermodisc Inc.	GM0604121C	All
	510-300-013	Spill Switch with Reset, 210°C	Elmwood Sensor	2455RM 81740201	25
	510-300-014	Spill Switch with Reset, 240°C	Elmwood Sensor	2455RM 8058081	3-8

CG/CGM Series 10 Trim

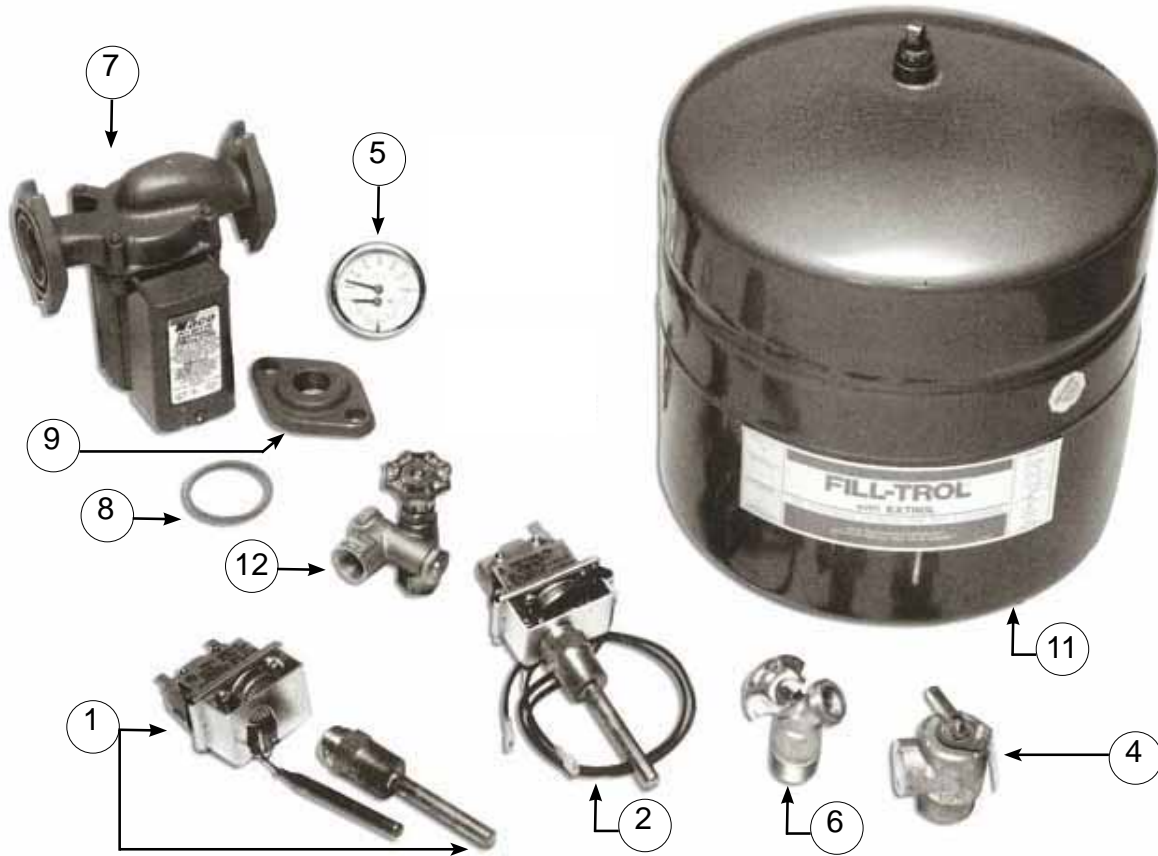


Fig. No.	Part No.	Description	Mfr.	Mfr.'s Part No.
1	510-312-250	High Limit Temperature Control, Auto Recycle, 140-240°F Fixed Subtractive Differential with 1/2" N.P.T. Well	Honeywell	L4080D-1036
2	510-312-150	Combination operating limit, 140-240°F, fixed high limit, 240°F	Carlin	90224
4	511-546-924	ASME Pressure Relief Valve, set to relieve at 30 PSIG, 3/4" N.P.T. Female Inlet	Watts	335
			Conbraco	10-408-05
5	380-000-000	Combination Pressure-Temperature Gauge, 3" Dia., 0-75 PSIG, 60-320°F, short shank, back connection, 1/4" N.P.T.	Amekai	OS234-JDTW-001
6	511-210-423	Drain Valve, 3/4" N.P.T., 1 1/2" shank, Brass		
7	511-405-113	Circulator, 1/25 HP, 120/60/1 Motor, 1,750 R.P.M., .75 Amps	Taco	007
	511-405-115	Circulator, 1/12 HP, 120/60/1 Motor, 1,750 R.P.M.	Bell & Gossett	100 Series
8	590-317-543	Circulator Gasket for Taco 007, (two required per circulator)	Taco	110-339
	590-317-542	Circulator Gasket for B & G 100, (two required per circulator)	Bell & Gossett	PO320

## CG/CGM Series 10 Trim

Fig. No.	Part No.	Description	Mfr.	Mfr.'s Part No.
9	381-354-530	Circulator Hardware Kit (Includes: 1 flange, 2 bolts, 2 nuts, Diamond gasket, 3/4" N.P.T.)	Weil-McLain	
	381-354-525	Circulator Hardware Kit (Includes: 1 flange, 2 bolts, 2 nuts, Diamond gasket, 1" N.P.T.)	Weil-McLain	
	381-354-526	Circulator Hardware Kit (Includes: 1 flange, 2 bolts, 2 nuts, Diamond gasket, 1 1/4" N.P.T.)	Weil-McLain	
	381-354-531	Circulator Hardware Kit (Includes: 1 flange, 2 bolts, 2 nuts, Diamond gasket, 1 1/2" N.P.T.)	Weil-McLain	
11	510-632-088	Fill-Trol Diaphragm Expansion Tank with "O" Ring and Machine Thread Connector to Fill Valve, Tank Only	Am-Trol	109
	510-632-089	Fill-Trol Diaphragm Expansion Tank with "O" Ring and Machine Thread Connector to Fill Valve, Tank Only	Am-Trol	110
12	511-210-433	Fill Valve, Angle Style – 900 with built-in strainer, pressure reducer, check valve, and manual shut-off	Conbraco	119-110-900

## CG Series 11 & 12 Universal Control System

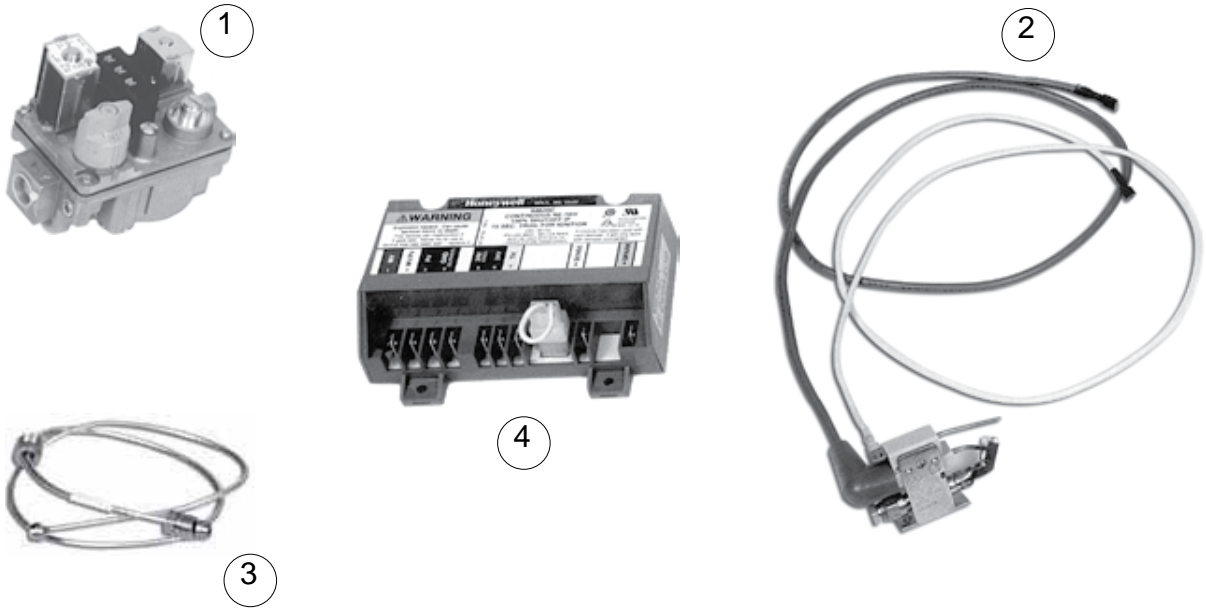
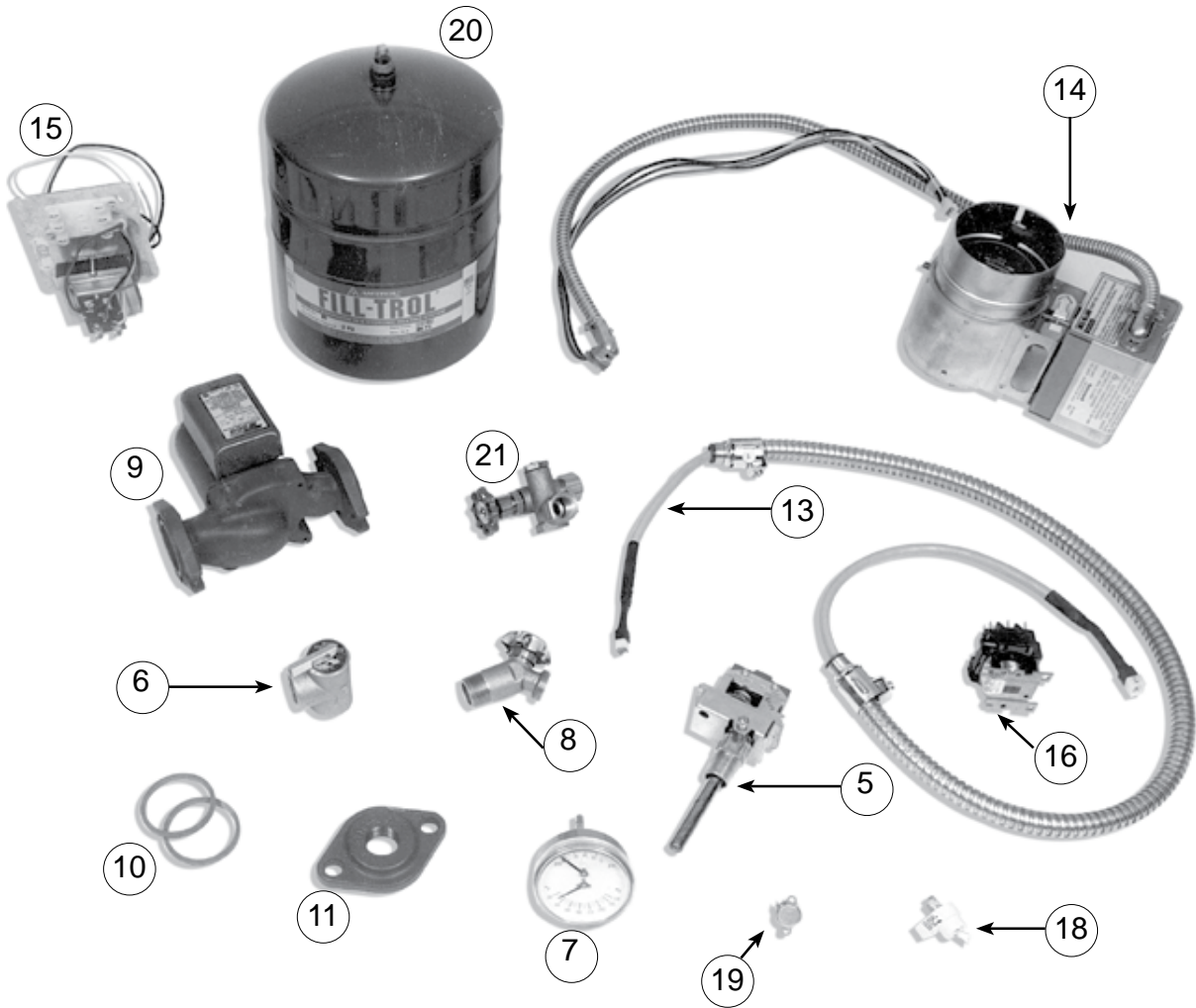


Fig. No.	Part No.	Description	Mfr.	Mfr.'s Part No.
1	511-044-381	Combination Gas Valve, 1/2" x 1/2" N.P.T., 24 Volt CG-25 thru 6	Honeywell	VR8204A2001
			Robertshaw	7D1-D5B-029
	511-044-382	Combination Gas Valve, Step Opening (1.2" WC Step) 3/4" x 3/4" N.P.T., 24 Volt, CG-7,8	White-Rodgers	36E36-266-S1
			Honeywell	VR8304P4348
			White-Rodgers	36C74-474-S1
2	511-330-218	Pilot Assembly Kit with orifice, aluminum pilot gas tubing, and spark wire and sense wire	Precision Speed Equipment	PSE-NA16
3	560-742-860	Pilot tubing, 1/8" O.D. x 22-3/4", with fittings	White-Rodgers	F0-1208
4	511-330-097	Ignition Sensing Control Module without Damper Moles, 24 Volt, Series 12 Only	United Technology	1003-511
			Honeywell	S8620C1003
	591-391-863	Wiring Harness, PIDN, Series 12 Only	Weil-McLain	
	511-330-095	Ignition Sensing Control Module with damper molex, 24 volt, Series 11 Only	United Technology	1003-510

Note: There is no wiring harness for Series 11 boilers. Boiler had individual wires.

### CG Series 11 & 12 Trim





## CG Series 11 &amp; 12 Trim

Fig. No.	Part No.	Description	Mfr.	Mfr.'s Part No.
5	510-312-250	High Limit Temperature Control, Auto Recycle, 140-240°F Fixed Subtractive Differential with 1/2" N.P.T. Well	Honeywell	L4080D-1036
6	511-546-924	ASME Pressure Relief Valve, set to relieve at 30 PSIG, 3/4" N.P.T. Female Inlet	Watts	335
	511-546-920	ASME Pressure Relief Valve, set to relieve at 30 PSIG, 3/4" N.P.T. Male Inlet	Conbraco	10-408-05
7	380-000-000	Combination Pressure-Temperature Gauge, 3" Dia., 0-75 PSIG, 60-320°F, short shank, back connection, 1/4" N.P.T.	Amekai	OS234-JDTW-001
8	511-210-423	Drain Valve, 3/4" N.P.T., 1 1/2" shank, Brass		
9	511-405-113	Circulator, 1/25 HP, 120/60/1 Motor, 1,750 R.P.M., .75 Amps	Taco	007
	511-405-115	Circulator, 1/12 HP, 120/60/1 Motor, 1,750 R.P.M.	Bell & Gossett	100 Series
10	590-317-543	Circulator Gasket for Taco 007, (two required per circulator)	Taco	110-339
	590-317-542	Circulator Gasket for B & G 100, (two required per circulator)	Bell & Gossett	PO320
10,11	381-354-530	Circulator Hardware Kit (Includes: 1 flange, 2 bolts, 2 nuts, Diamond gasket, 3/4" N.P.T.)	Weil-McLain	
	381-354-525	Circulator Hardware Kit (Includes: 1 flange, 2 bolts, 2 nuts, Diamond gasket, 1" N.P.T.)	Weil-McLain	
	381-354-526	Circulator Hardware Kit (Includes: 1 flange, 2 bolts, 2 nuts, Diamond gasket, 1 1/4" N.P.T.)	Weil-McLain	
	381-354-531	Circulator Hardware Kit (Includes: 1 flange, 2 bolts, 2 nuts, Diamond gasket, 1 1/2" N.P.T.)	Weil-McLain	
13	591-391-795	Damper Wiring Harness with Molex	Weil-McLain	
	510-512-337	Vent Damper Motor Operator with Molex	Effikal	RVGP
	510-312-255		Johnson Controls	M345BE-1C
14	381-800-474	Vent Damper Assembly, 4", CG-2.5, 3	Feld Controls	GVD-4
			Effikal	RVGP-KS-4BKF
	381-800-475	Vent Damper Assembly, 5", CG-4	Feld Controls	GVD-5
			Effikal	RVGP-KS-5BKF
	381-800-476	Vent Damper Assembly, 6", CG-5, 6	Feld Controls	GVD-6
			Effikal	RVGP-KS-6BKF
381-800-477	Vent Damper Assembly, 7", CG-7, 8	Feld Controls	GVD-7	
		Effikal	RVGP-KS-7BKF	
15,16	510-312-167	Combination Transformer and DPST relay, 120/24 Volt, 40 VA	Honeywell	R8285D1000

## CG Series 11 &amp; 12 Trim

Fig. No.	Part No.	Description	Mfr.	Mfr.'s Part No.
15	510-312-166	Combination Transformer and Relay Receptacle (Relay ordered separately)120/24 Volt, 40VA	Honeywell	R8285K1004
16	510-350-223	Plug-In Relay, DPST, with 24 volt holding coil	Honeywell	R8222U1006
			Products Unlimited	9001-241Q223
			White-Rodgers	91-322000-11000
18	512-050-230	Rollout Thermal Fuse, 228°C	Elmwood Sensors	RD226-001
19	510-300-013	Spill Switch with Manual Reset, 210°F CG-25 only	Elmwood Sensors	2455RM-8174-0201
	510-300-014	Spill Switch with Manual Reset, 240°F CG-3 thru 8	Elmwood Sensors	2455RM-8050-0181
20	510-632-088	Fill-Trol Diaphragm Expansion Tank with "O" Ring and Machine Thread Connector to Fill Valve, Tank Only	Am-Trol	109
	510-632-089	Fill-Trol Diaphragm Expansion Tank with "O" Ring and Machine Thread Connector to Fill Valve, Tank Only	Am-Trol	110
21	511-210-433	Fill Valve, Angle Style – 90° with built-in strainer, pressure reducer, check valve, and manual shut-off	Conbraco	119-110-900

## CG Series 11 &amp; 12 Standing Pilot

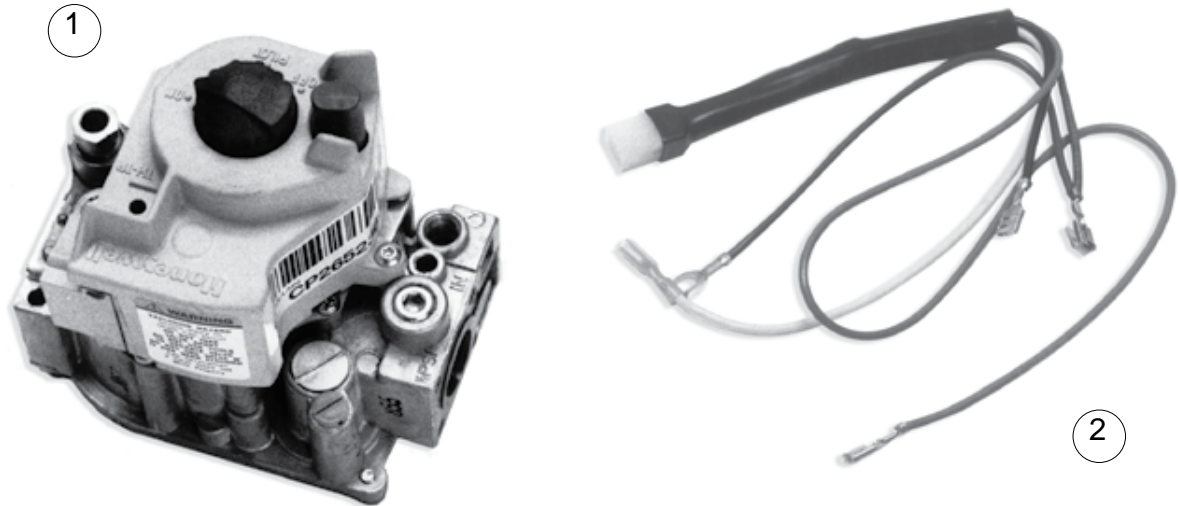
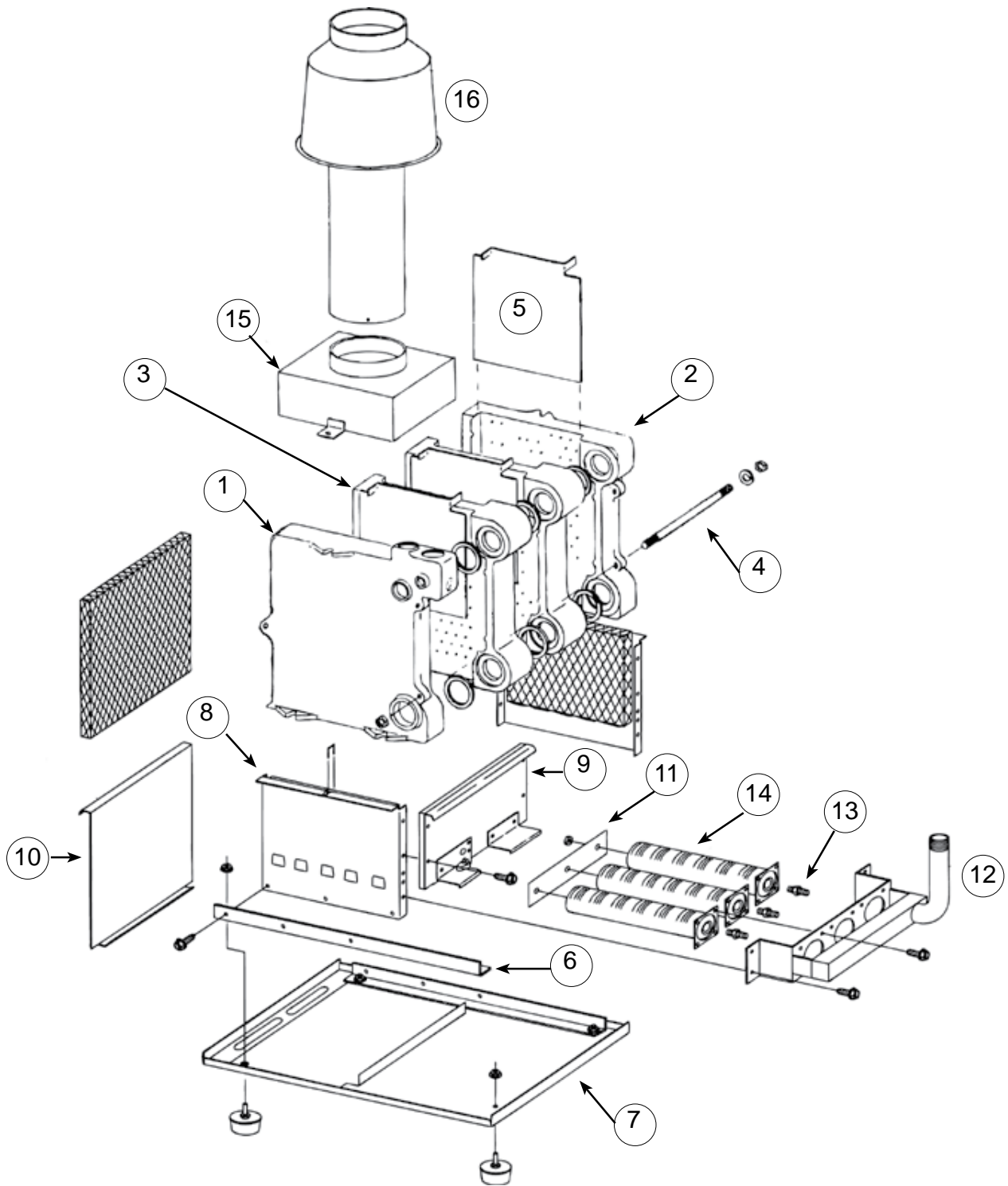


Fig. No.	Part No.	Description	Mfr.	Mfr.'s Part No.	Boiler Size
<b>Components for Natural Gas</b>					
1	511-044-360	Combination Gas Valve, ½" X ½" N.P.T., 24 Volt	Honeywell	VR8200A2116	25 – 6
			Robertshaw	7AO-A1B-042	
	511-044-256	Combination Gas Valve, Step Opening (1.2 Step) ¾" X ¾" N.P.T., 24 Volt	Honeywell	VR8300C4050	7 – 8
			Honeywell	VR800C1307	
510-811-644	Natural Gas Pilot Replacement Kit (Includes: main burner with pilot bracket, pilot burner, thermocouple)	Honeywell	Q350A1305	All	
	511-724-254	Thermo-couple 30", screw in (Natural Gas)			
<b>Components for Propane Gas</b>					
1	511-044-258	Combination Gas Valve, 1/2" x 1/2" N.P.T., 24 Volt	Honeywell	VR8200A1074	25 – 6
			Honeywell	VR82A2280	25 – 6
	511-044-257	Combination Gas Control Valve, ¾" x ¾" N.P.T., 24 Volt Propane Gas	Honeywell	VR800C-1307	7 – 8
	510-811-646	LP Gas Pilot Replacement Kit (Includes: main burner with pilot bracket, pilot burner, thermocouple)	Honeywell	Precision Speed Equipment	E38A2
	511-724-253	Thermo-couple 48", push in (Propane Gas)			
<b>Components for Natural and Propane Gas</b>					
2	591-391-862	Wiring Harness Series 12	Weil-McLain		
	560-742-860	Pilot Tubing, 1/8" O.D. Alum. X 22 ¾" Long with Compression Fittings	Weil-McLain		All
	510-811-648	Pilot Regulator Kit (Includes: Maxitrol RV-12 regulator, Tubing and Fittings)	Maxitrol	RV-12LT	25-3
	510-811-648	Damper wiring harness for Ser 11. All other wiring is individual wires	Weil-McLain		

CGx Series 1 & 2 Sections Base



## CGx Series 1 &amp; 2 Sections Base

Fig. No.	Part No.	Description	Model
1	311-103-851	Left Hand End Section, 51124	
2	311-103-821	Right Hand End Section, 51128	
3	311-103-818	Intermediate Section, 51125	
	321-114-286	Replacement Section Assembly	CGx-3
	321-114-287		CGx-4
	321-114-288		CGx-5
	321-114-289		CGx-6
	381-354-527	Section Replacement Kit (Includes: Seals and Sealant for One Joint)	
4	560-234-500	7/16" Tie Rod without Nut (3 per Boiler)	CGx-3
4	560-234-501		CGx-4
4	560-234-502		CGx-5
4	560-234-503		CGx-6
	561-928-215	7/16" Hex Nut, 2 per rod	
	562-248-690	7/16" Plain Washer, 1 per rod	
5	460-003-700	Radiation Plate w/ Horizontal Bends, 1 per joint	
12	560-529-058	Main Burner Orifice (35 Drill)	
13	550-320-152	Burner Assembly	
	550-320-219	Boiler Leg Kit	
14	450-020-487	Collector Hood	CGx-3
14	450-020-488		CGx-4
14	450-020-489		CGx-5
14	450-020-490		CGx-6
15	450-021-241	Vertical Draft Hood	CGx-3
15	450-021-242		CGx-4
15	450-021-243		CGx-5
15	450-021-244		CGx-6
	591-602-913	Retort Cement ( One Quart)	

Note: Parts not listed above are obsolete. No Replacement.

Number of burners : CGx-3 – 2 burners, CGx-4 – 3 burners, CGx-5 – 4 burners, CGx-6 – 5 burners

### CGx Series 1 & 2 Trim and Gas Controls

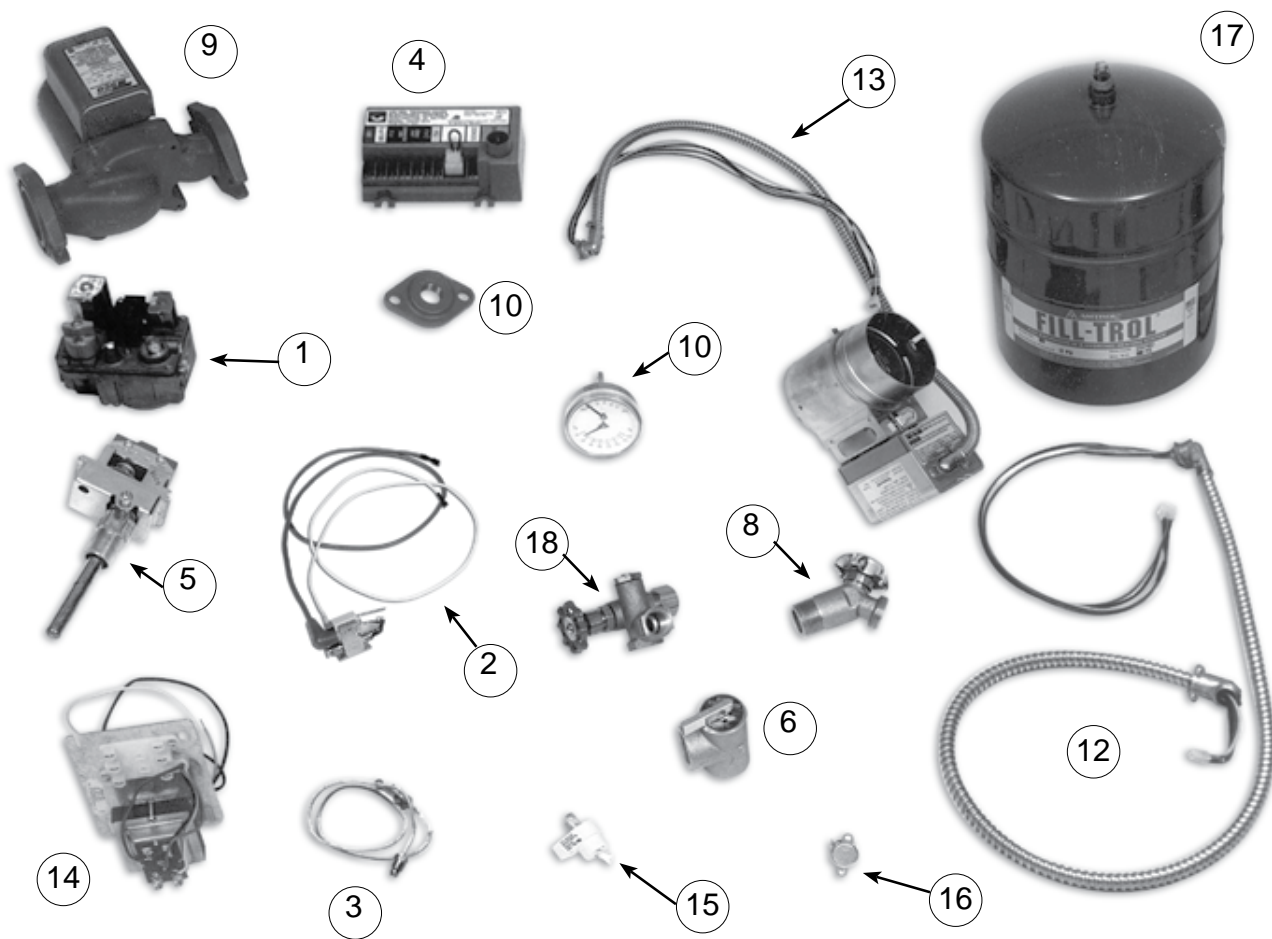


Fig. No.	Part No.	Description	Mfr.	Mfr's Part No.
1	511-044-381	Combination Gas Control Valve, 1/2" X 1/2" N.P.T., 24 Volt	Honeywell	VR8204A2001
			Robertshaw	7D1-D5B-029
			White-Rodgers	36E36-266-S1
2	511-330-218	Pilot Assembly Kit with orifice, aluminum pilot gas tubing, and spark wire and sense wire	Precision Speed Equip.	PSE-NA16
3	560-742-860	Pilot Tubing, 1/8" O.D. X 22-3/4" with Fittings	Weil-McLain	
4	511-330-095	Ignition Sensing Control Module with Damper Molex, 24 Volt, (Series 1)	United Technologies	1003-510
			Honeywell	S8620C1011
	511-330-097	Ignition Sensing Control Module without Damper Molex, 24 Volt, (Series 2)	United Technologies	1003-511
			Honeywell	S8620C1003
5	510-312-250	High Limit Temperature Control, 30°F Fixed Subtractive Differential with 1/2" N.P.T. Well, Automatic Recycle, 140-240°F Range	Honeywell	L4080D1036
			White-Rodgers	11B81-3

## CGx Series 1 &amp; 2 Trim and Gas Controls

6	511-546-921	Relief Valve (Male) 30 PSIG, 3/4" N.P.T.	Conbraco	10-407-10
			Watts	350
	511-546-924	Relief Valve (Female) 30 PSIG, 3/4" N.P.T.	Watts	335
			Conbraco	10-408-05
7	380-000-000	Combination Pressure-Temperature Gauge, 3" Dia., 0-75 PSIG, 60-320°F, short shank, back connection, 1/4" N.P.T.	Amekai	OS234-JDTW-001
8	511-210-423	Drain Valve, 3/4" N.P.T., 1-1/2" Shank	Conbraco	31-606-01
9	511-405-113	Circulator, 1/25 HP, 120/60/1	Taco	007
	511-405-115	Circulator, 1/12 HP, 120/60/1	Bell & Gossett	100
10	511-405-535	Circulator Gasket	Weil-McLain	
11	381-354-525	Circulator Hardware Kit (Includes: 1 flange, 2 bolts, 2 nuts, Diamond gasket, 1" N.P.T.)	Weil-McLain	
	381-354-526	Circulator Hardware Kit (Includes: 1 flange, 2 bolts, 2 nuts, Diamond gasket, 1 1/4" N.P.T.)	Weil-McLain	
	591-319-793	Wiring Harness Circulator	Weil-McLain	
12	591-391-795	Vent Damper Wiring Harness	Weil-McLain	
	510-512-337	Vent Damper Motor Operator with Molex	Effikal	RVGP
	510-312-255		Johnson Controls	M345BE-1C
13	381-800-474	Automatic Vent Damper Assembly, 4", CGx-3	Feld Controls	GVD-4
			Effikal	RVGP-KS-4BKF
	381-800-475	Automatic Vent Damper Assembly, 5", CGx-4	Feld Controls	GVD-5
			Effikal	RVGP-KS-5BKF
381-800-476	Automatic Vent Damper Assembly, 6", CGx-5, 6	Feld Controls	GVD-6	
		Effikal	RVGP-KS-6BKF	
	510-312-167	Combination Transformer and DPST relay, 120/24 Volt, 40 VA	Honeywell	R8285D1000
14	510-312-166	Combination Transformer-Relay Receptacle, 120/24 Volt, 40VA	White-Rodgers	S84A85
	510-350-223	Plug-In Relay, SPDT, with 24 Volt Holding Coil	White-Rodgers	91-322000-11000
			Honeywell	R8222U1006
			Products Unlimited	9001-241Q223
15	512-050-230	Rollout Thermal Fuse, 228°C	Elmwood Sensors	RD226-001
16	510-300-014	Spill Switch with Manual Reset, 240°F CG-3 thru 8	Elmwood Sensors	2455RM-8050-0181
17	510-632-088	Fill-Trol Diaphragm Expansion Tank	Amtrol	109
	510-632-089	Fill-Trol Diaphragm Expansion Tank	Amtrol	110
18	511-210-433	Fill Valve Angle Style-90 with Built-in Strainer, Pressure Reducer, Check Valve and Manual Shut-Off	Conbraco	MX3907
	591-391-863	Wiring Harness CG, CGx (Series 2 Only) See Note	Weil-McLain	

Note: Series 1 uses individual wires and not a wire harness

## CGi Series 1 Section Assembly

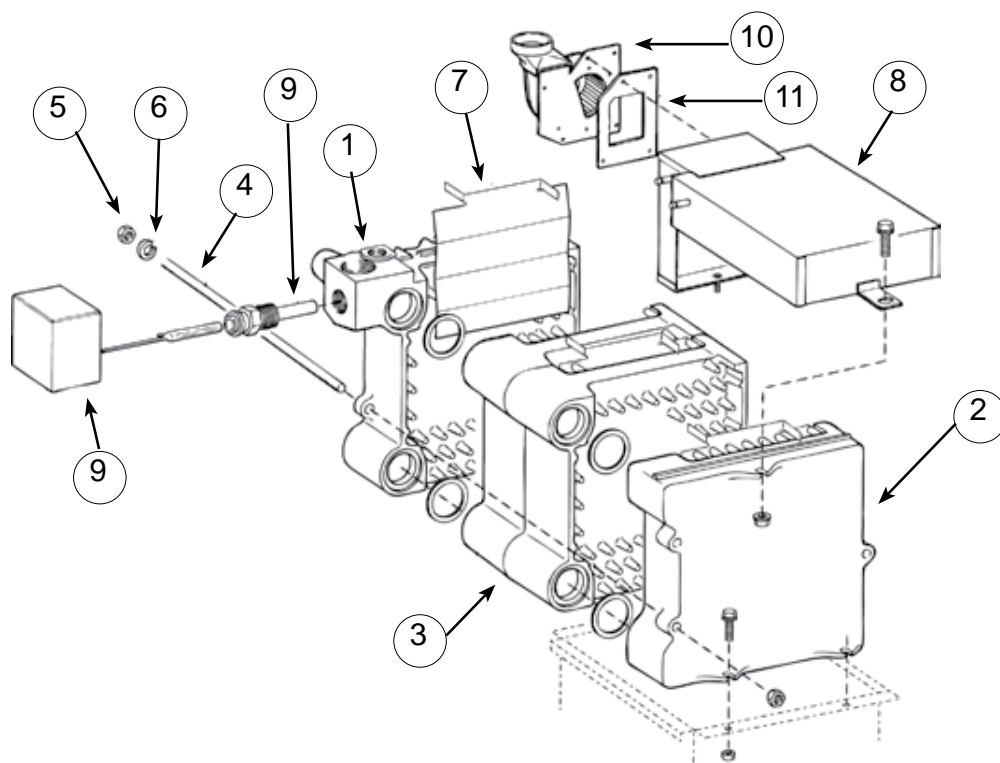


Fig. No.	Part No.	Description	Model
1	311-103-851	Left Hand End Section, 51124	
2	311-103-821	Right Hand End Section, 51128	
3	311-103-818	Intermediate Section, 51125	
	321-114-286	Section Assembly	CGi-25/3
	321-114-287		CGi-4
	321-114-288		CGi-5
	321-114-289		CGi-6
	321-114-290		CGi-7
	381-354-527	Section Replacement Kit (Includes: seals and silicone sealant for one joint)	
	592-800-011	Square Cut Seal 2"	
4	560-234-500	7/16" X 9" Tie Rod without Nut (3 per Boiler)	CGi-25/3
4	560-234-501	7/16" X 12" Tie Rod without Nut (3 per Boiler)	CGi-4
4	560-234-502	7/16" X 15" Tie Rod without Nut (3 per Boiler)	CGi-5
4	560-234-503	7/16" X 18" Tie Rod without Nut (3 per Boiler)	CGi-6
4	560-234-504	7/16" X 21" Tie Rod without Nut (3 per Boiler)	CGi-7
4	560-234-505	7/16" X 24" Tie Rod without Nut (3 per Boiler)	CGi-8
5	561-928-215	7/16" Hex Nut, 2 per rod	
6	562-248-684	7/16" Washer Medium Plain Split Lock, 1 per rod	
7	460-003-700	Radiation Plate with Horizontal Bends, 1 per joint	



## CGi Series 1 Section Assembly

8	381-354-581	Collector Hood and Transition Replacement Kit	CGi-25
8	381-354-582		CGi-3
8	381-354-583		CGi-4
8	381-354-584		CGi-5
8	381-354-585		CGi-6
8	381-354-586		CGi-7
9	510-312-254		High Limit, 300 Differential, with /Well, Case, Cover and Screw Honeywell- L4080B1386
10	381-354-580	Inducer Fan Assembly Kit (Includes Inducer Fan Assembly, Gasket and Nuts)	
11	590-317-627	Inducer Gasket	

### CGi Series 1 Base Assembly

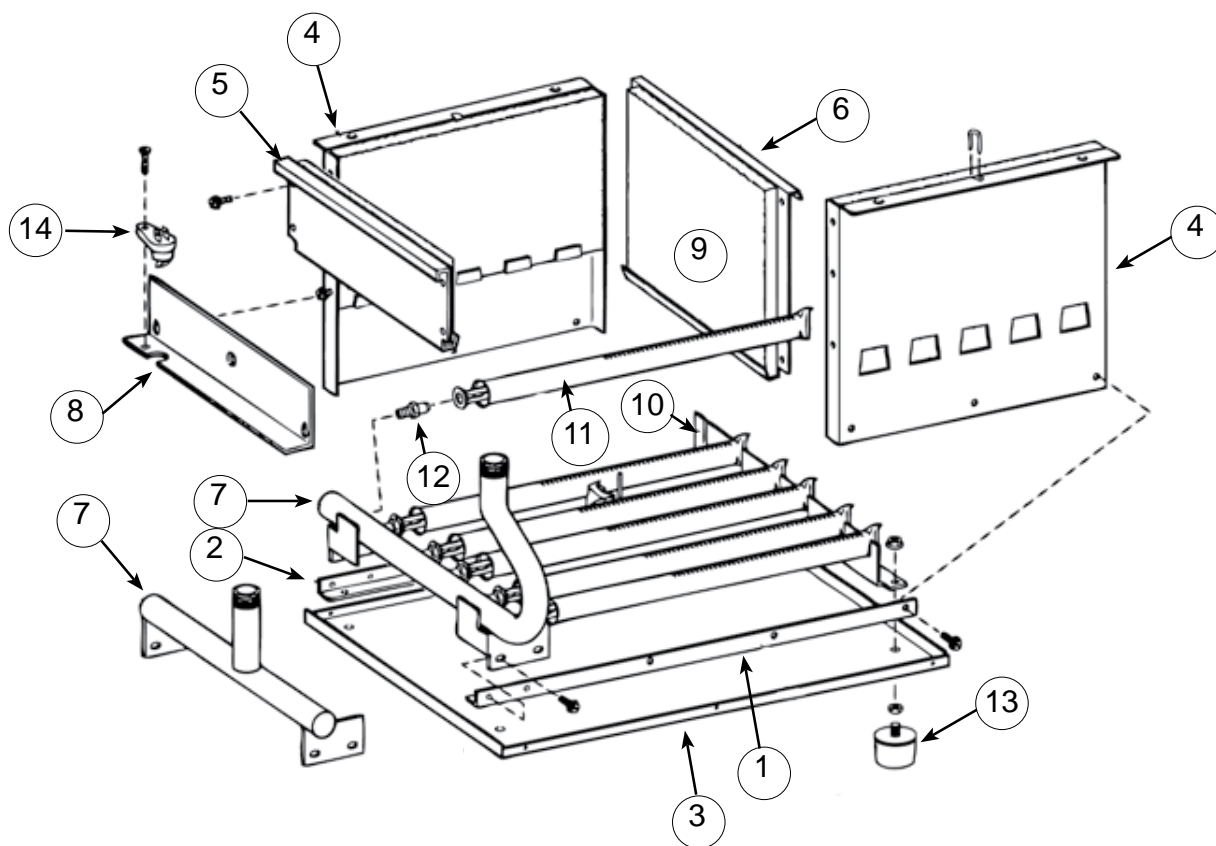


Fig. No.	Part No.	Description	Model
1	450-030-474	Base Pan Angle- Right Hand	
2	450-030-475	Base Pan Angle- Left Hand	
3	450-003-730	Base Pan	CGi-25/3
	450-003-731		CGi-4
	450-003-732		CGi-5
	450-003-733		CGi-6
	450-003-734		CGi-7
4	460-003-710	Base Side Panel	
5	460-003-777	Base Front Cross Tie	CGi-25/3
	460-003-778		CGi-4
	460-003-779		CGi-5
	460-003-780		CGi-6
	460-003-781		CGi-7
6	460-003-701	Base Back Cross Tie	CGi-25/3
	460-003-702		CGi-4
	460-003-703		CGi-5
	460-003-704		CGi-6
	460-003-705		CGi-7

## CGi Series 1 Base Assembly

Fig. No.	Part No.	Description	Model
7	591-126-615	Manifold	CGi-25
	591-126-616		CGi-3
	591-126-617		CGi-4
	591-126-618		CGi-5
	591-126-619		CGi-6
	591-126-556		CGi-7
8	460-003-741	Access Panel	CGi-25/3
	460-003-742		CGi-4
	460-003-743		CGi-5
	460-003-744		CGi-6
	460-003-745		CGi-7
9	381-354-518	Base Insulation Set:	CGi-25, 3, 4, 5
	381-354-519		CGi-6, 7
10	450-003-742	Burner Rest	CGi-25
	450-003-736		CGi-3
	450-003-737		CGi-4
	450-003-738		CGi-5
	450-003-739		CGi-6
	450-003-740		CGi-7
11	512-200-079	Stainless Steel Burner, Regular	
	512-200-078	Stainless Steel Burner with pilot bracket, LP	
	512-200-079	Stainless Steel Burner with pilot bracket, Natural	
12	560-528-997	Main Burner Orifice, 2.0mm, Natural	
	560-529-998	Main Burner Orifice, 1.3mm, Propane	
13	550-320-219	Boiler Leg Kit contains 4 legs & 4 nuts	
14	512-050-230	Rollout Thermal Fuse Element, Elmwood Sensors- RD226-001	

*Note: Number of burners:**CGi-25 – 2 main burners and 1 burner with pilot bracket**CGi-3 – 3 main burners and 1 burner with pilot bracket**CGi-4 – 5 main burners and 1 burner with pilot bracket**CGi-5 – 7 main burners and 1 burner with pilot bracket**CGi-6 – 9 main burners and 1 burner with pilot bracket**CGi-7 – 11 main burners and 1 burner with pilot bracket*

### CGi Series 1 Jacket Assembly

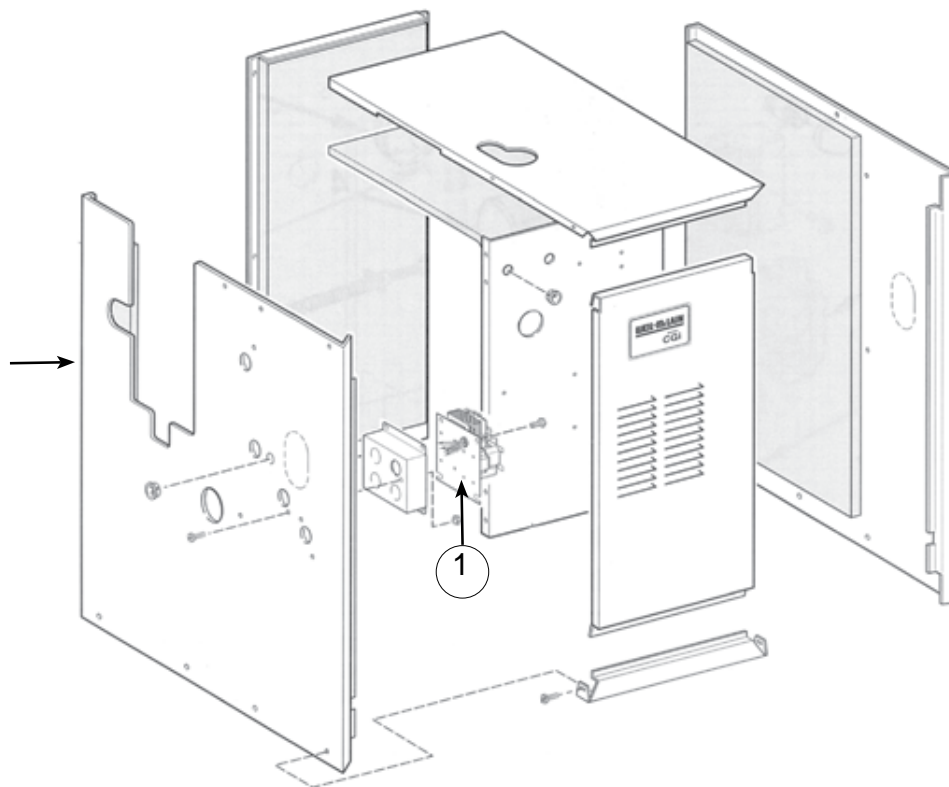


Fig. No.	Part No.	Description	Mfr.	Mfr's Part No.
1	510-312-167	Transformer/Relay Assembly	Honeywell	R825D1000
			White-Rodgers	631-9001
	510-312-166	Transformer 24 Volt, with Bale Wire (no relay)		
	510-350-223	Relay	Honeywell	R8222U1006
White-Rodgers			91-112006-11000	

All other jacket parts are not available.

### CGi Series 1 Trim

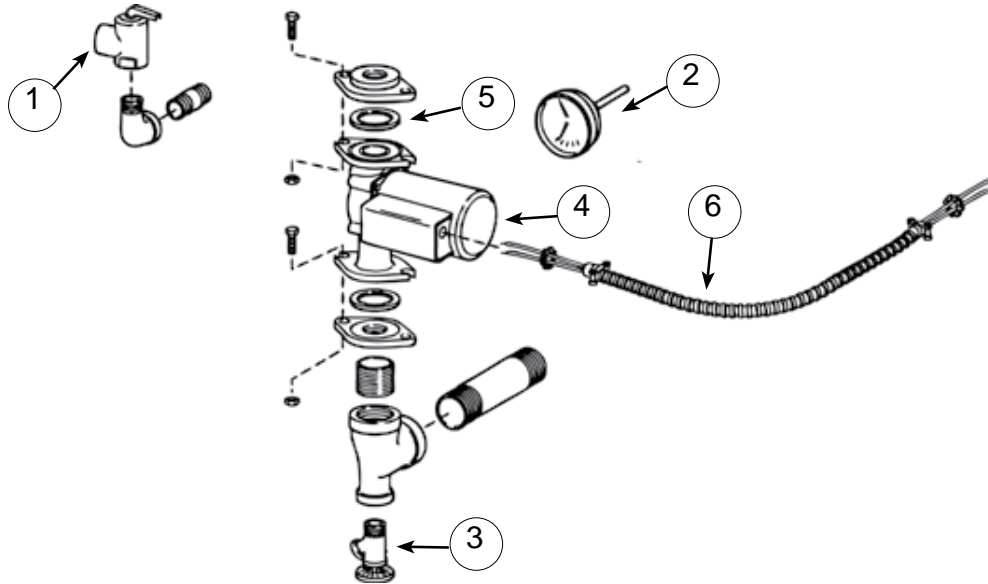


Fig. No.	Part No.	Description	Mfr.	Mfr's Part No.
1	511-546-920	ASME Pressure Relief Valve, 30 PGIG, 3/4" Male Inlet	Watts	M335
	511-546-924	ASME Pressure Relief Valve, 30 PGIG, 3/4" Female Inlet	Conbraco	
2	380-000-000	Combination Pressure-Temperature Gauge, 3" Dia., 0-75 PSIG, 60-320°F, short shank, back connection, 1/4" N.P.T.	Watts	335
			Conbraco	10-408-05
3	511-210-423	Drain Valve, 3/4", 1-1/2" Shank	Amekai	OS234-JDTW-001
4	511-405-115	Circulator	Conbraco	31-606-01
4	511-405-113	Circulator	Bell & Gossett	100
5	590-317-535	Circulator Gasket, Diamond Universal (Two per Boiler)	Taco	007
6	591-319-793	Wiring Harness for Circulator	Weil-McLain	
	386-354-530	Circulator Hardware Kit (Includes: 1 flange, 2 bolts, 2 nuts, 1 gasket, 3/4" N.P.T, Fits Taco circulators)		
	386-354-525	Circulator Hardware Kit (Includes: 1 flange, 2 bolts, 2 nuts, 1 gasket, 1" N.P.T, Fits Taco circulators)	Weil-McLain	
	386-354-526	Circulator Hardware Kit (Includes: 1 flange, 2 bolts, 2 nuts, 1 gasket, 1 1/4" N.P.T, Fits Taco circulators)	Weil-McLain	

### CGi Series 1 Gas Controls

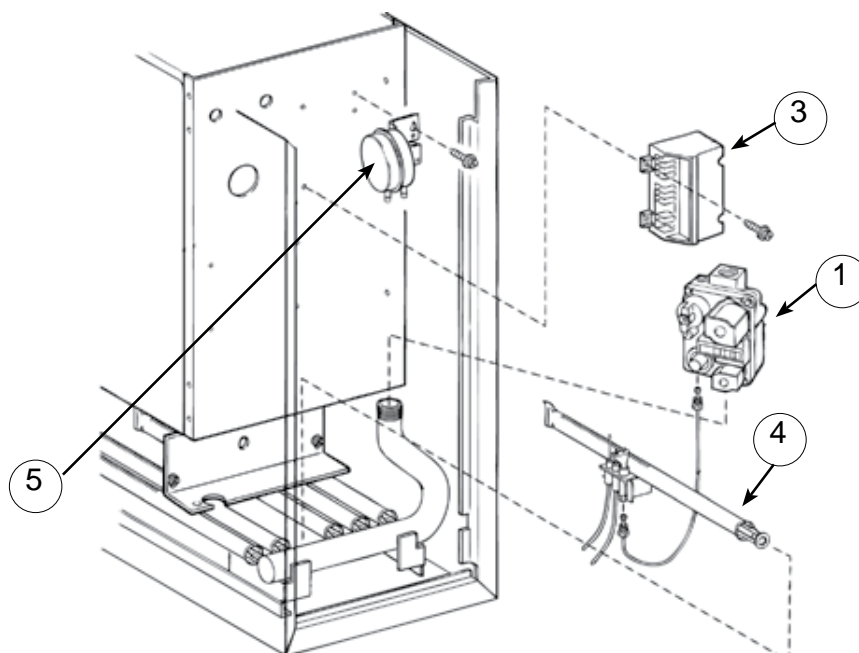


Fig. No.	Part No.	Description	Mfr.	Mfr's Part No.	Boiler Size
1	511-044-381	Gas Valve, 1/2" X 1/2", Natural, CGi 25-6	Honeywell	VR8204A2001	25 thru 6
			Robertshaw	7D1-D5B-029	
			White-Rodgers	36E36-266-S1	
	511-044-353	Gas Valve, 3/4" x Natural	Honeywell	VR8304M4002	7
1	511-044-354	Gas Valve, 1/2" x 1/2", Propane	Honeywell	VR8204M2701	25, 6
	511-044-355	Gas Valve, 3/4" x 3/4", Propane	Honeywell	VR8304M4010	7
NS	510-811-221	Pilot Assembly Kit, with Orifice and burner with Pilot Bracket, Natural	Weil-McLain		All
NS	510-811-222	Pilot Assembly Kit, with Orifice and burner with Pilot Bracket, Propane	Weil-McLain		All
3	511-330-099	Ignition Control Module	United Technologies	1003-513	All
4	560-742-860	Pilot Tubing, 1/8" O.D., Aluminum	Weil-McLain		All
5	511-624-450	Pressure Differential Switch, 1.18" W.C., 0 to 1,999 ft. Altitude	Honeywell	IS20312-5488	25, 3, 4
	511-624-451	Pressure Differential Switch, .96" W.C., 2,000 to 10,000 ft. Altitude	Honeywell	IS20312-5487	
		Pressure Differential Switch, .96" W.C., 0 to 1,999 ft. Altitude			
	511-624-452	Pressure Differential Switch, .75" W.C., 2,000 to 10,000 ft. Altitude	Honeywell	IS20312-5486	5
		Pressure Differential Switch, .75" W.C., 0 to 1,999 ft. Altitude			
	511-624-453	Pressure Differential Switch, .59" W.C., 2,000 to 10,000 ft. Altitude	Honeywell	IS20312-5485	6
		Pressure Differential Switch, .59" W.C., 0 to 1,999 ft. Altitude			
511-624-432	Pressure Differential Switch, .48" W. C., 2,000 to 10,000 ft. Altitude	Honeywell	IS20312-5489	7	

## CGi Series 1 Gas Controls

590-317-650	Pressure Switch Tubing, 1/8" I.D. x 17", Red, Pressure Switch to Collector Hood	Lydall		All
590-317-651	Pressure Switch Tubing, 1/8" I.D. x 19", White, Pressure Switch to Transition	Lydall		All
591-319-795	Wiring Harness	Weil-McLain		All
510-811-225	Natural to Propane Conversion Kit	Weil-McLain		25 thru 6
510-811-226	Natural to Propane Conversion Kit	Weil-McLain		7
510-811-227	Propane to Natural Conversion Kit	Weil-McLain		25 thru 6
510-811-228	Propane to Natural Conversion Kit	Weil-McLain		7

## Ultra Boiler Series 1 &amp; 2 Misc. Parts and Kits

Part No.	Description	Model	Mfr.	Mfr.'s Part No.
383-500-095	Pressure Relief Valve, ASME 30 PSI, ¾" N.P.T. Male		Watts	#330
511-405-113	Boiler Circulator, without flanges	80, 105	Taco	Model 007
511-405-133	Boiler Circulator, without flanges	155, 230 & 310	Taco	Model 0014
381-354-525	Circulator Hardware Kit-Inlet, 1" (Includes: (1)Flange, (2)Nuts, and (1)Gasket)	80 to 230		
381-354-526	Circulator Hardware Kit (Includes: Flange, Nuts, Screws and Gasket) 1 ¼"	80 to 310		
381-354-531	Circulator Hardware Kit (Includes: Flange, Nuts, Screws and Gasket) 1 ½"	310		
383-500-100	Vent/Air Termination Plate (2 Required For Each Boiler)			
383-500-105	Vent Termination Bird Screen, 3" Vent	(2 required for 80, 105 & 155)		
383-500-110	Vent Termination Bird Screen, 4" Vent	(2 required for 230 & 310 only)		
383-501-020	Natural To Propane Conversion Kit	80		
540-100-001	Natural To Propane Conversion Kit (Orifice Bag Assembly)	105		
383-501-021	Propane To Natural Conversion Kit	80		
383-500-115	Natural To Propane Conversion Kit (Orifice Bag Assembly)	155		
383-500-120	Natural To Propane Conversion Kit (Orifice Bag Assembly)	230		
383-500-080	Alarm Control Kit			
383-500-125	Outdoor Temperature Sensor			
383-500-397	Sidewall Termination Kit, 3"			
383-500-398	Sidewall Termination Kit, 4"			
383-500-016	Natural To Propane Conversion Kit (Includes: Propane Burner and Orifice Bag Assembly With Instructions)	310 Series 1 only		
540-202-831	Propane Orifice Bag Assembly	310 Series 2 only		



# NOTES

## Ultra Boiler Series 1 &amp; 2 Jacket Parts

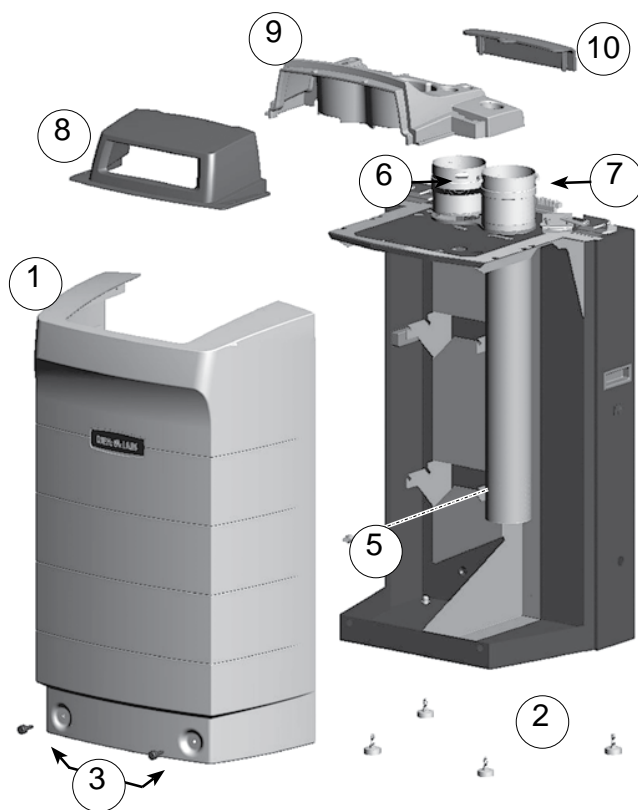
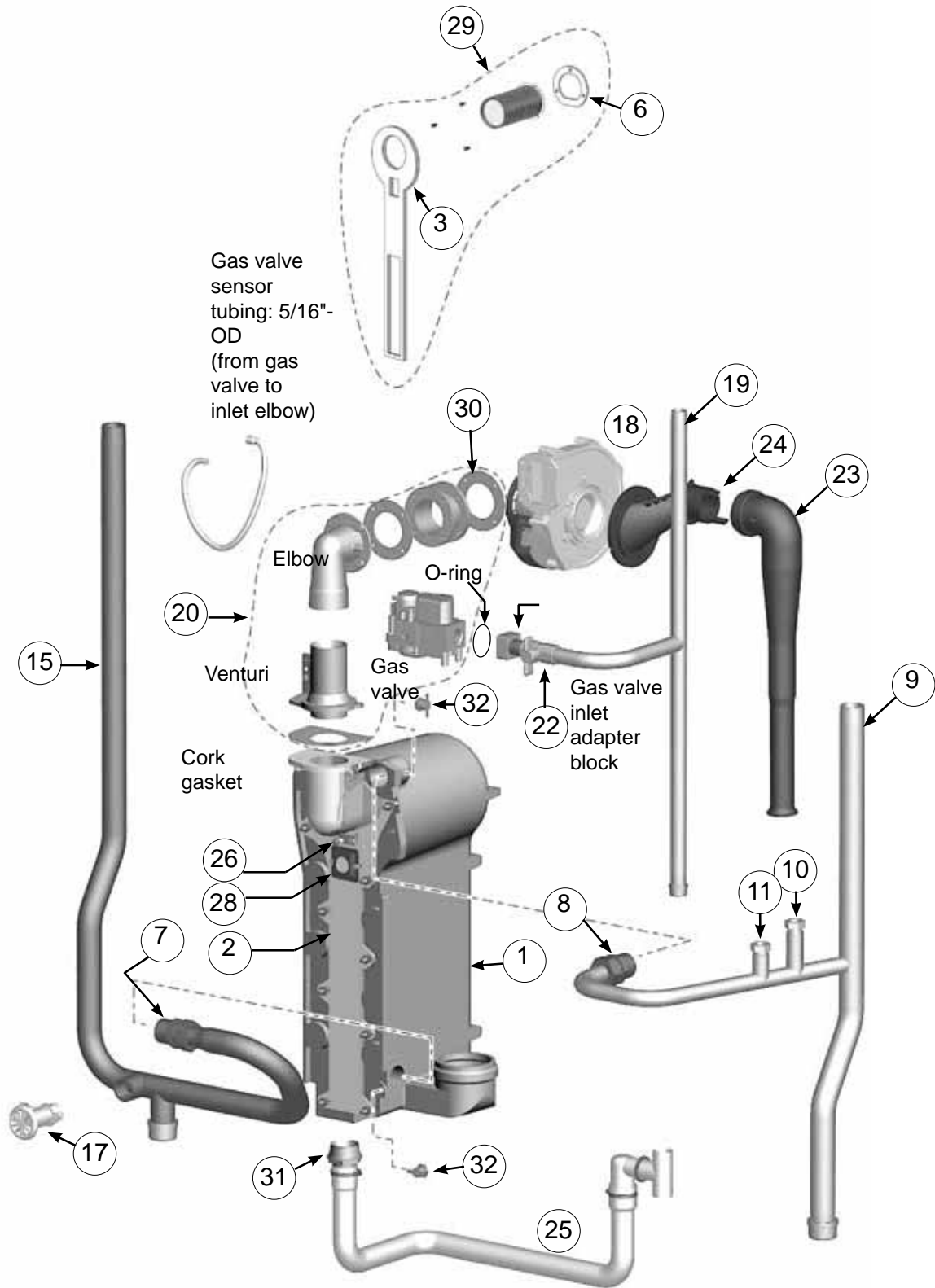


Fig. No.	Part No.	Description	Model	Mfr.
1	383-500-135	Jacket Front Door		
	595-000-000	Panel Door Jacket Plastic	80, 105, 155, 310, 230	Ft. Wayne Plastics
	595-000-001	Jacket Plastic Cover Top/Front	80, 105, 155, 310, 230	Ft. Wayne Plastics
	595-000-002	Jacket Plastic Cover Top/Rear	80, 105, 155, 310, 230	Ft. Wayne Plastics
	595-000-003	Jacket Plastic Electrical Cabinet Door	80, 105, 155, 310, 230	Ft. Wayne Plastics
2	383-500-065	Boiler leg kit (4 required)		
3	383-500-320	Knurled head screw for jacket front door (2 required)		
NS	383-500-180	Knurled head screw clip-on receptacle (2 required)		
5	383-500-055	Flue Temperature Sensor Replacement Kit		
6	383-500-655	Air inlet adapter with moisture diverter	80, 105	
	383-500-145	Air Adapter Assembly (Includes: Adapter, Gasket And Mounting Bracket) 3"	155	
	383-500-150	Air Adapter Assembly (Includes: Adapter, Gasket And Mounting Bracket) 4"	230, 310	

## Ultra Boiler Series 1 &amp; 2 Jacket Parts

7	560-900-001	Flue Outlet Pipe Adapter, 3"	80, 105	
	383-500-656	Flue Outlet Pipe Adapter, 3"	155	
	383-500-657	Flue Outlet Pipe Adapter, 4"	230, 310	
8	383-500-165	Top Cover, Front		
9	383-500-170	Top Cover, Rear	80-230	
	595-000-006	Top Cover, Rear	310	
10	383-500-175	Electrical Cabinet Door		
NS	383-500-133	Door Gasket Replacement Kit		
NS	591-391-930	120v Electrical Socket		
	592-800-022	3" Blue intake and vent gasket for top of fitting	80, 105, 155	
	592-800-023	4" Blue intake and vent gasket for top of fitting	230, 310	
	590-318-007	70mm blue gasket for bottom of vent fitting into aluminum casting	80, 105	
	590-318-003	80mm blue gasket for bottom of vent fitting into aluminum casting	155, 230	
	590-318-004	100mm blue gasket for bottom of vent fitting into aluminum casting	310	
	590-318-011	Flue sensor grommet	All	

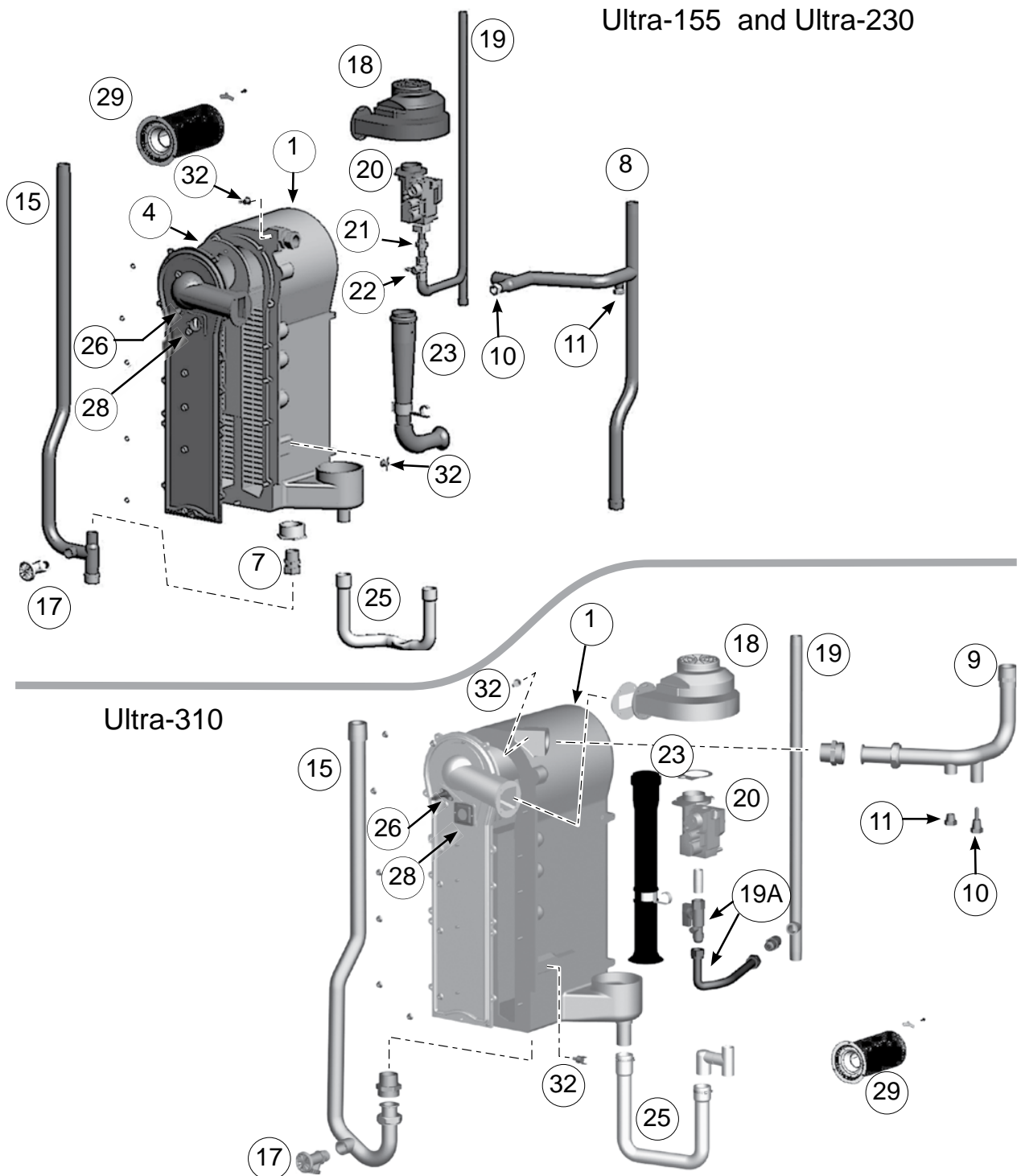
## Ultra Boiler Series 1 & 2 Heat Exchanger and Piping Ultra-80 and 105



## Ultra Boiler Series 1 & 2 Heat Exchanger and Piping Ultra-80 and 105

Fig. No.	Part No.	Description	Boiler Model
1	383-501-612 383-501-613 383-501-614	Heat Exchanger Replacement Kit --Heat Exchanger, Cover Plate, Burner, Electrode, Water Sensors, Compression Fittings, Condensate Fitting, Gaskets, and Hardware	Ultra-80NG Ultra-80LP Ultra-105
2	383-501-022	Cover Plate Replacement Kit -- Cover Plate, Cover Plate Gasket, Burner Gasket, and Hardware	Ultra-80, -105
3	591-200-000	Cover Plate Gasket/Insulation	Ultra-80, -105
6	590-300-000	Burner Gasket	Ultra-80, -105
7	383-500-260	Water Compression Fitting, 28mm Return	Ultra-80, -105
8	564-100-002	Water Compression Fitting, 28mm Supply	Ultra-80, -105
9	383-501-036	Water Supply Piping Assembly-- Pipe, Temperature Well, Check Valve, Cap (Assembled) and Compression Fitting	Ultra-80, -105
10	383-500-270	1/2" N.P.T. Well For Temperature Gauge	ALL
11	383-500-275	Pressure/Temperature Gauge Check Valve	ALL
15	383-501-037	Return Water Pipe Assembly --Pipe, drain valve, cap (assembled) and compression fitting	Ultra-80, -105
17	511-246-392	Boiler Drain Valve, 3/4" N.P.T.	ALL
18	383-501-027	Blower Assembly Kit-- Blower, gasket, and hardware	Ultra-80, -105
19	383-501-038	Gas Pipe Assembly-- Gas pipe, shut-off valve, 1 1/2" nipple, adapter block, O-ring, and hardware	Ultra-80, -105
20	383-501-029	Gas Valve/Venturi Kit-- Gas valve, venturi, 90° elbow, gaskets, and hardware (assembled) (For LP boilers, make sure to reinstall the existing propane orifice)	Ultra-80
	383-501-030	Gas Valve/Venturi Kit-- Gas valve, venturi, 90° elbow, gaskets, and hardware (assembled) (For LP boilers, make sure to reinstall the existing propane orifice)	Ultra-105
22	Obtain Locally	Manual Gas Valve, 1/2" N.P.T.	Ultra-80, -105
23	383-501-026	Air Silencer Kit-- Air Silencer And Gasket	Ultra-80, -105
24	383-501-025	Air Silencer Adapter Kit-- Air Silencer Adapter And Hardware	Ultra-80, -105
25	383-501-031	Condensate Trap Kit -- Condensate Trap, Hose Clamps, PVC Fittings, And Gasket	Ultra-80, -105
26	383-500-045	Ignition Electrode Kit-- Ignition Electrode, Suppressor, Gasket, And Hardware	ALL
	383-500-050	Ignition Cable Kit-- Ignition Cable, Suppressor, And Wire Tie	ALL
28	383-500-020	Inspection Glass Kit-- Bracket, Glass, Gasket, And Hardware	ALL
29	383-501-032 383-501-033 383-501-034	Burner Replacement Kit-- Burner, Gaskets, And Hardware	Ultra-80NG Ultra-80LP Ultra-105
30	590-300-003	Gasket Rubber, Blower	Ultra-80, -105
31	383-500-300	Return/Supply Sensor Kit-- (1) Sensor	Ultra-80, -105
	590-317-310	Cork Gasket Goes Between Gas Valve Venturi And Burner Inlet	ALL
	560-340-598	Cover Plate Studs, M6, 1 Pitch	ALL
	561-928-449	Cover plate nuts, M6, 1 pitch	ALL

## Ultra Boiler Series 1 & 2 Heat Exchanger and Piping Ultra-155 and 310



## Ultra Boiler Series 1 & 2 Heat Exchanger and Piping Ultra-155 and 310

Fig. No.	Part No.	Description	Model
1	383-500-621	Heat Exchanger Replacement Kit (Includes: Heat Exchanger, Cover Plate, Burner, Electrode, Water Sensors, Compression Fittings, Condensate Fitting, Gaskets and Hardware)	155
	383-500-622		230
	383-500-623		310
NS	383-500-395	Cover Plate Replacement Kit (Includes: Cover Plate, Cover Plate Gasket, Burner Gasket and Hardware)	155, 230, 310
4	383-500-250	Cover Plate Gasket/Insulation	155, 230, 310
NS	383-500-255	Cover Plate Gasket	155, 230, 310
7	383-500-260	Water Compression Fitting, 28mm Supply/Return	155, 230
9	383-500-265	Water Supply Piping Assembly (Includes: Pipe, Temperature Well, Check Valve, Cap (assembled) and Compression Fitting)	155, 230
	383-500-380	Water Supply Piping Assembly (Includes: Pipe, Temperature Well, Check Valve, Cap (assembled) and Compression Fitting)	310
10	383-500-270	½" N.P.T. Well For Temperature Gauge	All
11	383-500-275	Pressure/Temperature Gauge Check Valve	All
NS	383-500-280	Return water bushing, 1 ¼"BSP x 1"BSP (not used on Ultra 310)	155, 230
15	383-500-285	Return Water Pipe Assembly (Includes: Pipe, Drain Valve, Cap (assembled) And Compression Fitting)	155, 230
	383-500-385	Return Water Pipe Assembly (Includes: Pipe, Drain Valve, Cap (assembled) And Compression Fitting)	310
17	511-246-392	Boiler Drain Valve ¾" N.P.T.	All
18	383-500-035	Blower Assembly Kit (Includes: Blower, Gasket And Hardware)	155
	383-500-040	Blower Assembly Kit (Includes: Blower, Gasket, Molex Adapter And Hardware)	230
	383-500-360	Blower Assembly Kit (Includes: Blower, Gasket And Hardware)	310
19	383-500-290	Gas Pipe Assembly (Includes: Gas Pipe And Shut-Off Valve)	155, 230
	560-907-679	Gas Pipe	310
19A	560-900-016	Flexible Gas Line Section And Shut-Off Valve	310
20	383-500-025	Gas Valve/Venture Kit (Includes: Gas Valve/Venturi Assembly, Adapter Block, O-Ring And Hardware) (For LP Boilers, Make Sure To Reinstall The Existing Propane Orifice)	155
	383-500-030		230
	383-500-390		310
21		Ground joint union, ½" N.P.T.	155, 230
22		Manual gas valve, ½" N.P.T.	155, 230
23	383-500-295	Air Silencer Kit (Includes: Air Silencer And Gasket)	155, 230
	383-500-355		310
25	383-500-060	Condensate Trap Kit (Includes: Condensate Trap, Hose Claps, Pvc Fittings And Gasket)	155
	383-500-060		230
	383-500-365		310
26	383-500-045	Ignition Electrode Kit (Includes: Ignition Electrode, Suppressor, Gasket And Hardware)	All

## Ultra Boiler Series 1 & 2 Heat Exchanger and Piping Ultra-155 and 310

NS	383-500-050	Ignition Cable Kit (Includes: Ignition Cable, Suppressor And Wire Tie)	All
28	383-500-020	Inspection Glass Kit (Includes: Bracket, Glass, Gasket And Hardware)	All
29	383-500-085	Burner Replacement Kit (Includes: Burner, Gaskets And Hardware)	155
	383-500-090	Burner Replacement Kit (Includes: Burner, Gaskets And Hardware)	230
32	383-500-407	Burner Replacement Kit (Includes: Burner, Gaskets And Hardware For Natural Or Propane, Series 1 Or 2)	All
33	383-500-300	Return/Supply Sensor Kit (Includes: (1) Sensor)	310
	590-317-310	Cork Gasket Goes Between Gas Valve Venture And Burner Inlet	All
	562-248-743	Epdm Square Cut Gasket For Ultra 310 Supply/Return Fitting	
	561-326-828	Fitting, Double Nipple For Ultra 310 Supply/Return	
	560-340-598	Cover Plate Studs, M6, 1 Pitch	All
	561-928-449	Cover Plate Nuts, M6, 1 Pitch	All
	383-500-660	Burner mounting screws and locking clips (3 ea.)	155, 230, 310
	563-910-031	Gas valve block, o-ring, mounting screws, 1/2" N.P.T. thread	All
	590-318-006	Rubber blower discharge gasket	155, 230, 310



## Ultra Boiler Series 1 &amp; 2 Controls

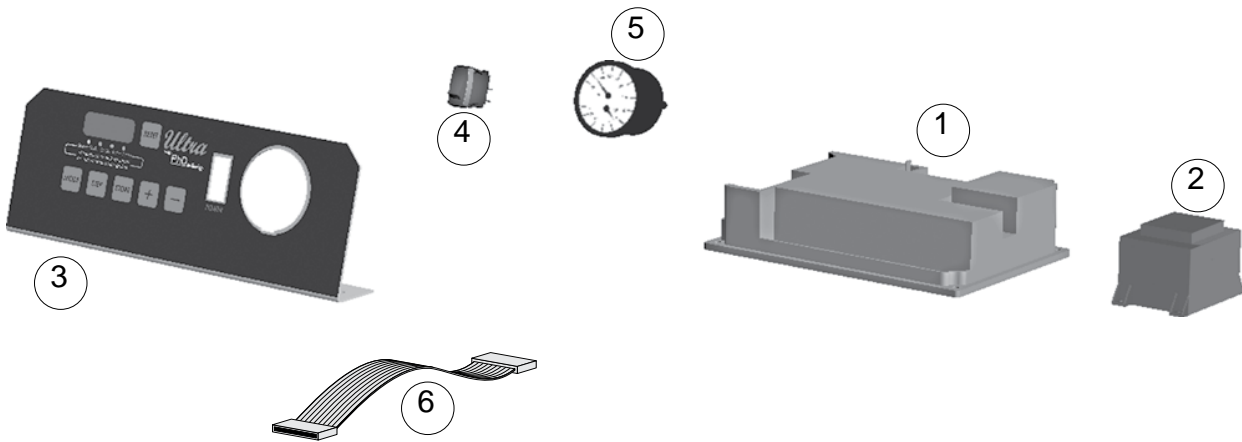
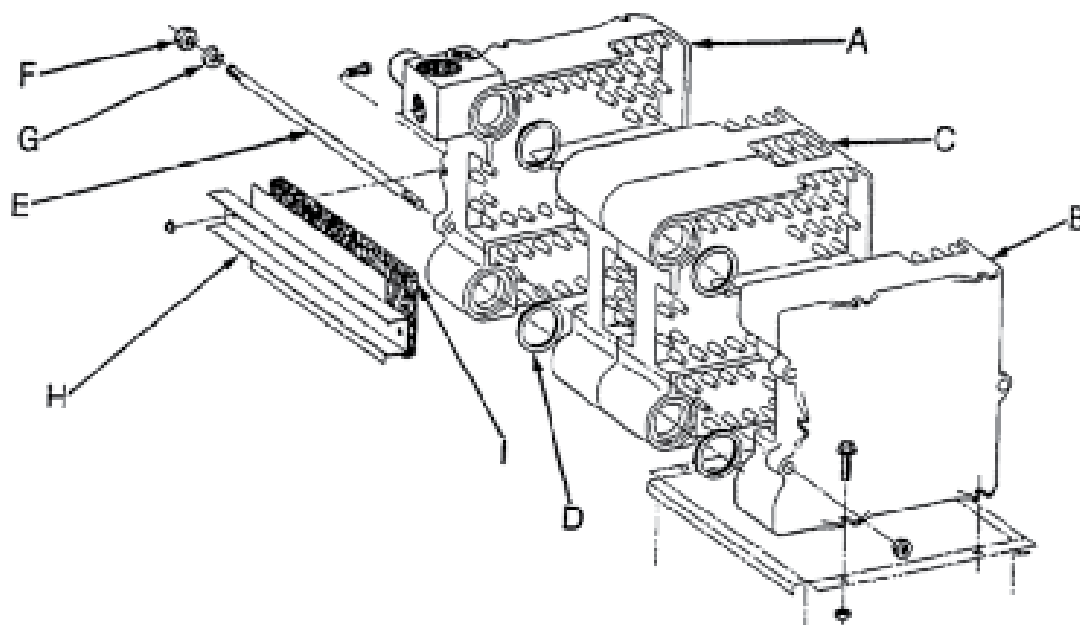


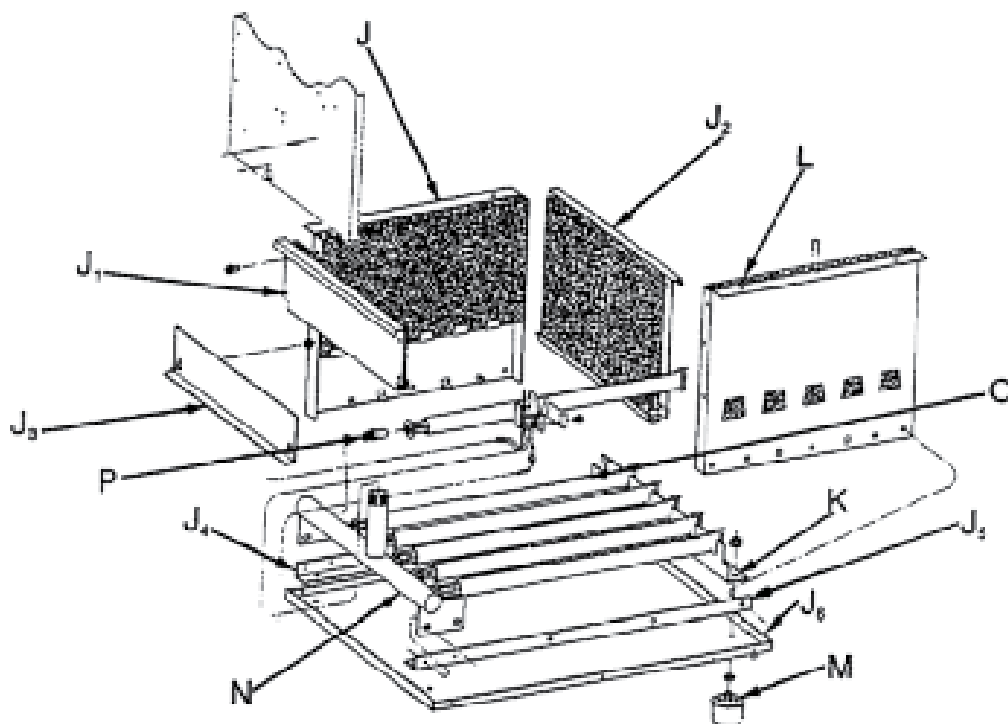
Fig. No.	Part No.	Description	Model	Mfr.	Mfr.'s Part No.
1	383-500-190	Ultra Control Module	80, 105, 155, 233		
	511-330-258	Ultra Control Module	310		
2	383-500-195	Transformer, 120v/24v			
3	383-500-408	Display Board Kit (Includes: Display, Bracket, Label, Off-Set And Ribbon Cable)			
4	383-500-205	On/Off Power Switch			
5	383-500-210	Pressure/Temperature Gauge Assembly (Includes: Temperature and Pressure Sensor)			
6	383-500-215	Ribbon Cable, Control Module to Display Board			
NS	591-300-002	Low Voltage Wire Harness Assembly	80, 105		
NS	383-500-200		155, 230		
NS	591-391-941		310		
NS	591-300-001	High Voltage Wire Harness Assembly	80, 105		
NS	383-500-230		155, 230,		
NS	591-391-940		310		
NS	383-500-235	Control Model Fuses (F Is 5-Amp, Fast-Blow (5 Fuses)			
	383-500-240	Control Model Fuses (F Is 4-Amp, Fast-Blow (5 Fuses)			
NS	383-500-245	120v, 3-Wires Receptacle			
NS	510-350-200	Circulator Relay	310	White-Rodgers	90-362 SPST, 120 VAC
NS	383-500-408	Display Board Kit (Includes: Display, Bracket, Label, Offset and Data Port) Series 2 (Will Work With Series 1)			
	591-391-927	Gas Valve Plug	155, 230, 310		
	591-850-570	Data Port Cover (Series 2 Only)			

HE, HEII and VHE Section and Base Assembly

**SECTION ASSEMBLY  
HE/VHE BOILERS**



**BASE ASSEMBLY  
HE/VHE BOILERS**



## HE, HEII and VHE Section and Base Assembly

Parts not listed below are obsolete and no longer available. Parts listed below may become obsolete.  
Call Customer Service for part availability.

Fig. No.	Part No.	Description	Series No.
D	592-800-011	2" Square Cut Seal (2 per joint)	1-3
E	560-234-500	7/16" Tie Rod without Nut: (9") (3 per boiler)	1-3
	560-234-501	7/16" Tie Rod without Nut: (12") (3 per boiler)	1-3
	560-234-502	7/16" Tie Rod without Nut: (15") (3 per boiler)	1-3
	560-234-503	7/16" Tie Rod without Nut: (18") (3 per boiler)	1-3
F	561-928-235	7/16" – 14 Nut (2 per Rod)	1-3
G	562-248-684	7/16" Washer (1 per Tie Rod)	1-3
	591-638-850	Silicone Sealant for Cleanout Plate-RTV 700 or Equivalent: (10.3 oz.) Base Side Panel (2 per Boiler)	1-3
J3	450-030-644	Base Access Panel: (HSI Only)- HE/VHE/HEII-3	3
	450-030-645	Base Access Panel: (HSI Only)- HE/VHE/HEII-4	3
	450-030-646	Base Access Panel: (HSI Only)- HE/VHE/HEII-5	3
	450-030-647	Base Access Panel: (HSI Only)- HE/VHE/HEII-6	3
J4	450-030-475	Base Pan Angle-Left Hand	1-3
J5	450-030-474	Base Pan Angle-Right Hand	1-3
M	590-424-252	Leg Assembly-(Includes: Leg, Nuts, and Washer)	1-3
	560-528-992	Main Burner Orifice: (Natural Gas): 2.0mm-7/16" Hex-1/8" NPT	1-3
	560-529-052	Main Burner Orifice: (Propane Gas): 1.25mm-7/16" Hex-1/8" NPT	1-3
O	512-200-035	Burner, Aluminized: (1.00" OD x15.00" Long)	1-3
	512-200-045	Burner, Aluminum with Pilot Bracket - (HE/VHE Cycle Pilot System Only)	1-3
	591-632-612	Waterglass: (4 oz Bottle)	1-3
	591-602-914	Boiler Cement: (1 Can)=(1/2 Gallon)	1-3
	591-638-851	Silicone Sealant: (RTV 700 or Equivalent) (3 oz)	1-3

Note: Number of burners for HE/VHE/HEII Boilers: HE/VHE/HEII-3-(4 main burners),  
HE/VHE/HEII-4-(6 main burners),  
HE/VHE/HEII-5-(8 main burners),  
HE/VHE/HEII-6-(10 main burners).

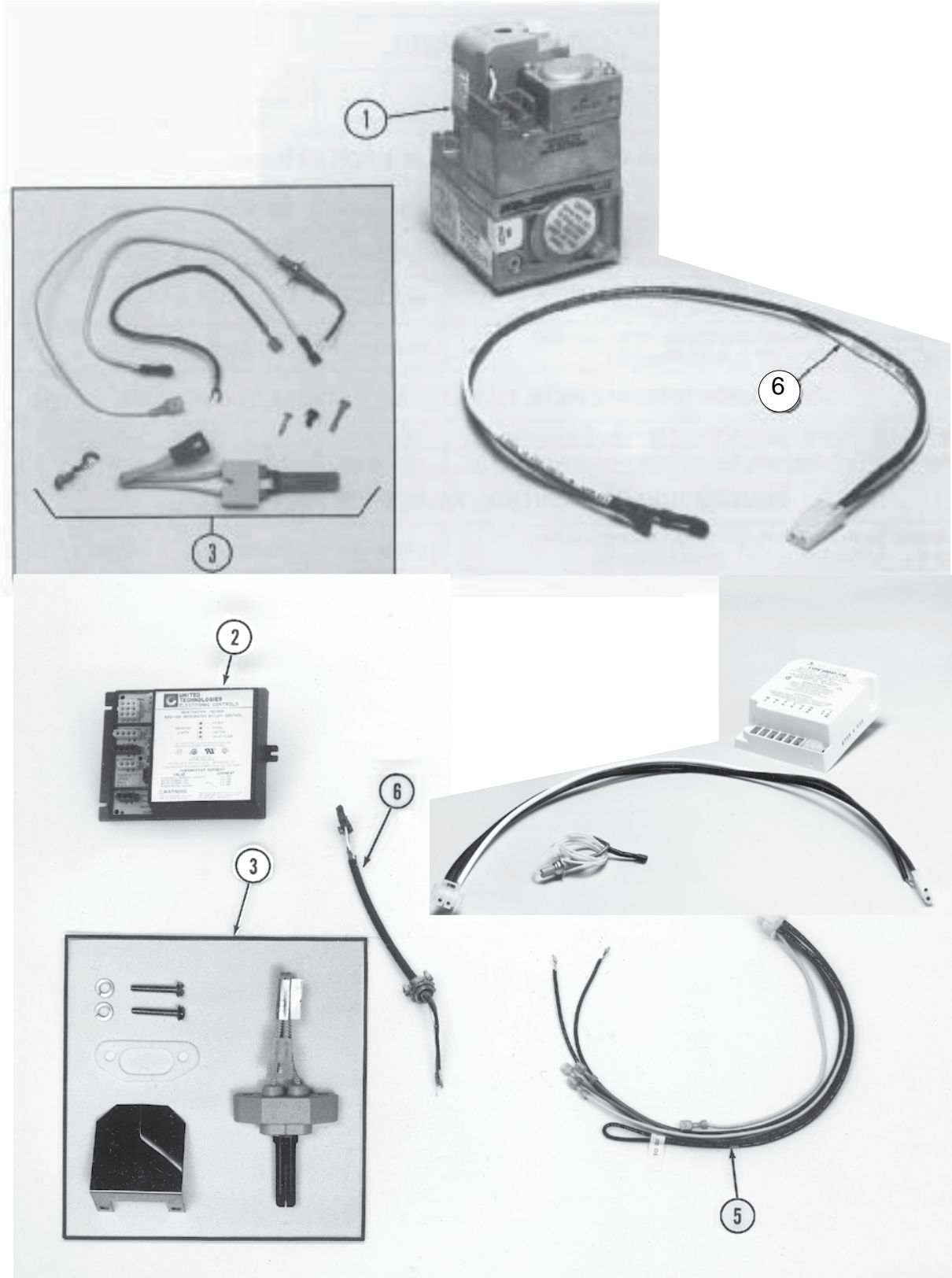
For Cycle Pilot HE/VHE Boilers subtract one main burner, and add one pilot burner to each above.

Boiler Cement Quantities Required:

HEII-3-(1 Can),  
HEII-4-(2 Cans),  
HEII-5-(3 Cans),  
HEII-6-(4 Cans),

1 Can Equals ½ Gallon (Used For Base Front and Back Cross Ties on HEII)

# HE, HEII and VHE Hot Surface Ignition



## HE, HEII and VHE Hot Surface Ignition

Fig. No.	Part No.	Description	Mfr.	Mfr.'s Part No.	Model
<b>Combination Gas Valve Control For Natural Gas</b>					
1	510-811-655	Combination Gas Control Valve Kit, Step Opening, 0.9" W.C. Low Fire to 3.5" W.C. High Fire, 1/2" x 1/2" N.P.T. 24 Volt, Natural Gas	White Rodgers	36C74-913	ALL
<b>Combination Gas Valve Control For Propane Gas</b>					
1	510-811-656	Combination Gas Control Valve Kit, Step Opening, 3.0" W.C. Low Fire to 10.0" W.C. High Fire, 1/2" x 1/2" N.P.T. 24 Volt, Propane Gas	White Rodgers	36C74-227	ALL
<b>Gas Control Components For Natural Gas And Propane Gas</b>					
2	510-811-502	Comb. Ignition-Sensing Control Module, 24 Volt, Lock-Out After 3 Ignition Trials.	White Rodgers	50E47-871	HE/ VHE
2	382-200-448	Intergrated Boiler Control Module, 24 Volt, Lock-Out After 3 Ignition Trials	United Technologies	1013-200	HE II
3	382-930-216	Norton 201 to 201N Conversion Kit - Used only with Honeywell & Fenwall Controls - (Igniter, Bracket, Sense Rod)	Caddo Connections Inc.		HE/ VHE
	511-330-182	Sapco Fame Sensor - Comes with Kit # 382-930-216	Sapco		HE/ VHE
	511-330-184	Norton 201N (Igniter only) - with Lead Wires and Connector used with White Rodgers	Caddo Connections Inc.		HE/ VHE
4	511-330-148	Igniter Replacement Kit - (Includes Igniter and Shield used with United Technologies) - HE II Only	Norton	MB478687	HE II
5	511-330-192	Main Fame Sensor, Used with White Rodgers Control # 50E47-871	White Rodgers	760-802-HSI	HE/ VHE
	450-030-655	Igniter Bracket, Boilers with - 201N Igniter (HSI ) Only	Weil-McLain		HE/ VHE
	450-030-653	Igniter Bracket, Boilers with - 271N Igniter	Weil-McLain		HE II
	450-030-642	Igniter Shield, Boilers with HSI Only	Weil-McLain		ALL
6	591-391-819	Wiring Harness - Module to Igniter - Gold Control Module Only	Weil-McLain		HE II
7	591-391-786	Wiring Harness-Module to Controls – Gold Control Module Only	Caddo Connections Inc.		HE II
8	591-391-808	Wiring Harness-Module to Igniter - White Rodgers Module Only	Caddo Connections Inc.		HE/ VHE
9	591-391-788	Wiring Harness – Gold Control Module to Junction Box	Caddo Connections Inc.		HE II
	591-391-784	Wiring Harness – Gold Control Module to Inducer (4-Pin Molex Plug)	Caddo Connections Inc.		

## HE, HEII and VHE Hot Surface Ignition

Fig. No.	Part No.	Description	Mfr.	Mfr.'s Part No.	Model
<b>Conversion Kits: Natural to Propane, Propane to Natural</b>					
	510-811-480	Conversion Kit – Natural Gas to Propane Gas (HSI Only) - (Gas Valve, Orifices and Instructions)	Weil-McLain		ALL
	510-811-485	Conversion Kit – Propane Gas to Natural Gas (HSI Only) - (Gas Valve, Orifices and Instructions)	Weil-McLain		ALL
<b>Conversion Kits: Control Systems</b>					
	382-200-451	Conversion Kit – From Honeywell, Fenwall, White Rodgers HSI to Gold Control SI - (Module, Wiring, Transformer, Igniter, Hardware and Instructions)	Weil-McLain		HE/ VHE
	382-200-449	Complete Conversion Kit From Cycle Pilot System to Gold Control HSI (Natural Gas) - (Module, Gas Valve, Wiring, Hardware and Instructions)	Weil-McLain		HE/ VHE
	382-200-450	Complete Conversion Kit From Cycle Pilot System to Gold Control HSI (Propane Gas) - (Module, Gas Valve, Wiring, Hardware and Instructions)	Weil-McLain		HE/ VHE
	382-200-448	Conversion Kit From Honeywell S9301A or Gold Control 1013 -100 to Gold Control 1013-200 - (Module, Wiring and Instructions)	Weil-McLain		HE II

# NOTES

## HE, HEII and VHE Blower Assembly

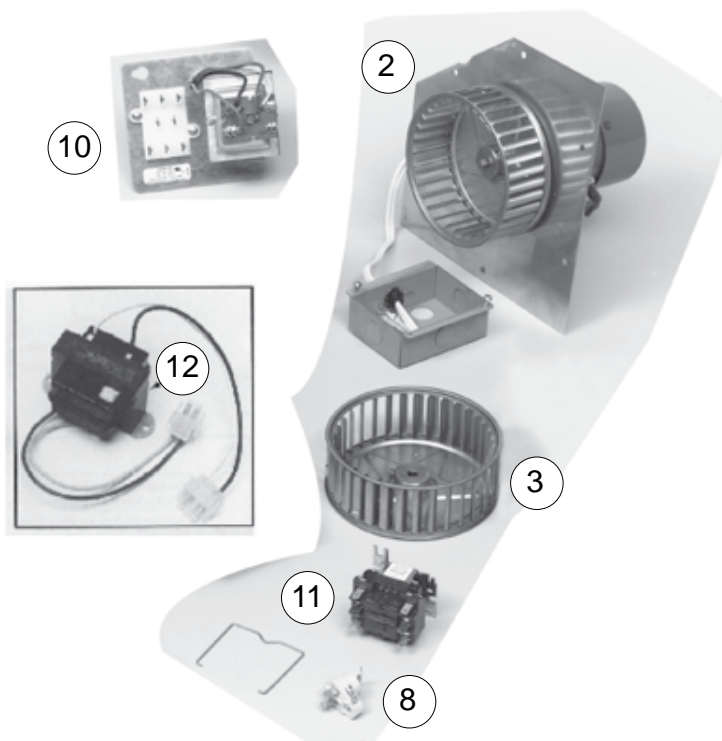


Fig. No.	Part No.	Description	Mfr.	Mfr.'s Part No.	Boiler Model
2	510-312-312	Blower Assembly (Mounting Plate, Hardware, Motor, Wheel) - All Boilers	Weil-McLain	(See Note)	HE/HE-II
3	510-312-322	Blower Wheel – Galvanized Steel, 5.75" Diameter, 5/16" Shaft	Revcor Inc.	B575-212S	HE/HE II
	510-312-317	Blower Assembly (Mounting Plate, Hardware, Motor, Wheel) - All Boilers	Weil-McLain	(See Note)	VHE
	510-312-279	Blower Wheel – Stainless Steel, 5.72" Diameter, 5/16 Shaft	Sheridan Manufacturing of Ohio	S57-20CCW	VHE
	699-999-022	Starter/Termination Kit – (Starter Tee, Termination Coupling, Sealant and Instructions) – (Saf-T- Vent Only).	Weil-McLain		HE/VHE
	699-999-036	Starter/Termination Kit – (Starter Tee, Termination Coupling, Sealant and Instructions) – (Z- Vent Only).	Weil-McLain		HE/VHE
	699-999-024	Starter/Termination Kit – (Starter Tee, Termination Coupling, Sealant and Instructions) – (Saf-T- Vent Only).	Weil-McLain		HE II
	699-999-034	Starter/Termination Kit – (Starter Tee, Termination Coupling, Sealant and Instructions) – (Z- Vent Only).	Weil-McLain		HE II



## HE, HEII and VHE Blower Assembly

Fig. No.	Part No.	Description	Mfr.	Mfr.'s Part No.	Boiler Model
	590-317-633	Drain Hose – Vent Elbow to Drain Trap – (5/8" I.D. X 14½" Long)	Weil-McLain		VHE
<b>Electrical Components</b>					
10	510-312-166	Combination Transformer-Relay Receptacle, 120/24 Volt, 40 VA	White Rodgers	S84A-85	HE/VHE
			Honeywell	R8285K-1004	HE/VHE
			Products Unlimited	57-01E07C5F23	HE/VHE
11	510-350-223	Plug In Relay, DPST, 24 Volt Holding Coil	Honeywell	R822U1006	HE/VHE
	510-312-167	Complete Transformer and Relay	Honeywell	R8285D1000	HE/VHE
10	511-842-370	Control Transformer, 120/24 Volt, 40 VA	Honeywell	AT140B1297	HE II
	512-050-230	Fuse Thermal Roll-Out, 228°C	Elmwood Sensor	RD226-001	ALL

Note: Original draft inducer motor was Fasco # 7121-5750, Currently using Fasco # 7162-1335.

## HE, HEII and VHE Water Trim

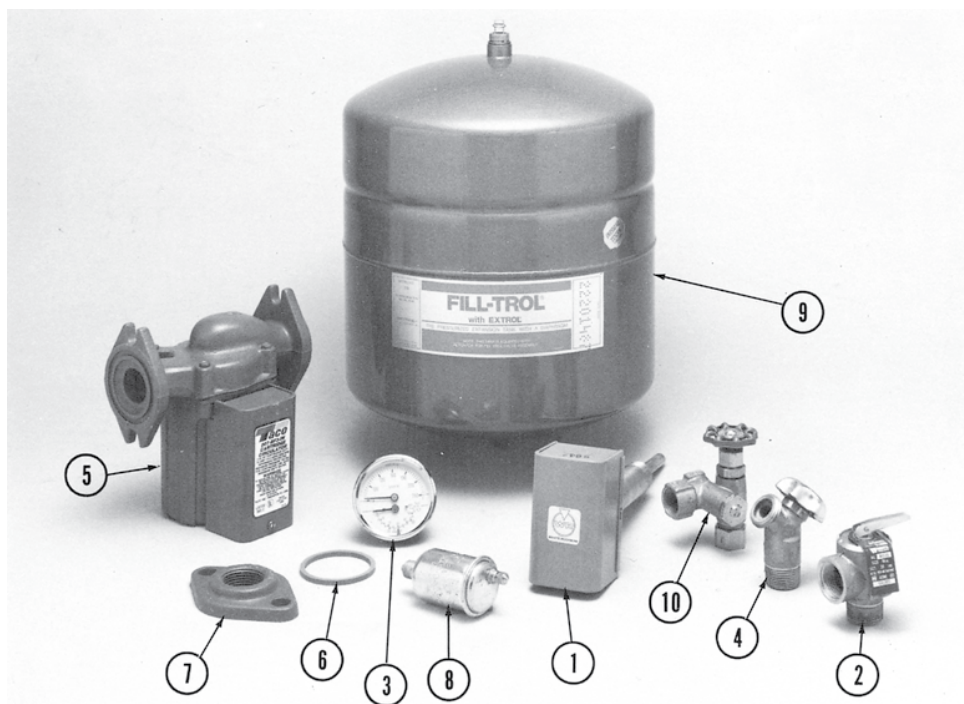


Fig. No.	Part No.	Description	Mfr.	Mfr.'s Part No.
1	510-312-015	High Limit Temperature Control, SPST, Automatic Recycle, 100-240°F Range, 5-30° Range Adjustable Differential, Compatible with Existing Well	Honeywell	L4006A-1678
	592-300-030	Brass Control Well, 7" Shank, 1/2" N.P.T.		
2	511-546-924	ASME Pressure Relief Valve, 3/4" N.P.T., Female Inlet, Side Outlet, Brass, Set to Relieve at 30 PSIG	Watts	335
2	511-546-920	ASME Pressure Relief Valve, 3/4" N.P.T., Male Inlet, Side Outlet, Brass, Set to Relieve at 30 PSIG	Watts	M330
3	510-218-099	Combination Pressure/Temperature Gauge, 3.12" Dial, 0-170 PSIG, 60-320°F Short Shank, 1/4" N.P.T. Back Connection	Amekai	OS234-JDTW-002
4	511-210-423	Drain Valve, 3/4" N.P.T., 1 1/2" Shank	Weil-McLain	
5	511-405-113	Circulator, 1/25 HP, 115/60/1 Motor, 3250 RPM, .70 Amps	Taco	W007F
5	511-405-115	Circulator, 1/12 HP, 115/60/1 Motor, 1725 RPM, 1.75 Amps	Bell & Gossett	100
6	590-317-543	Circulator Gasket, for Taco 007 and Un 110 Circulators – (2- Required Per Unit)	Taco	194-1548
6	590-317-535	Circulator Gasket, for B&G LR-20 Circulators – (2- Required Per Unit)	Grand Haven Gasket Co.	
6	590-317-542	Circulator Gasket, for B&G 100 Series Circulators – (2- Required Per Unit)	ITT Industries	

## HE, HEII and VHE Water Trim

Fig. No.	Part No.	Description	Mfr.	Mfr.'s Part No.
	382-930-117	Wire Harness Kit for Taco 007&110, B&G - LR-20 & 100 – (Includes: 4-Pin Wire Harness, Connector and Nuts), Used Only with 1013-10 and 1013-100 Modules	Caddo Connection	
7	381-354-525	1" Universal Circulator Hardware Kit (Includes: screws, nuts, (1) flange, and (1) gasket	Weil-McLain	
7	381-354-526	1 1/4" Universal Circulator Hardware Kit (Includes: screws, nuts, (1) flange, and (1) gasket	Weil-McLain	
<b>ADDITIONAL WATER TRIM COMPONENTS</b>				
8	510-148-567	Automatic Air Vent, Float Type, 1/8" N.P.T.	Taco	400-3
	561-013-849	Reducing Coupling, 1/2" X 1/8" N.P.T. for Taco Air Vent	Weil-McLain	
9	510-632-088	Fill-Trol Diaphragm Expansion Tank with O-Ring – (Tank Only)	Am-Trol	109
9	510-632-089	Fill-Trol Diaphragm Expansion Tank with O-Ring – (Tank Only)	Am-Trol	110
10	511-210-433	Fill Valve Angle Style, with Built-in Strainer, Pressure Reducer, Check Valve, and Manual Shut-Off	Conbraco	65-006-95

## HE, HEII and VHE Pressure Switches



Fig. No.	Part No.	Description	Mfr.	Mfr.'s Part No.	Model
5	511-624-541	Pressure Differential Switch, SPDT, 1.05" Setting, 0-4000' ft Elevation	Honeywell	IS20298-5449	HE-Series 1&2-(ALL)
	511-624-545	Pressure Differential Switch, SPDT, 0.95" Setting, 4000 – 8000' ft Elevation	Honeywell	IS20298-5512	HE-Series 2-(ALL)
	511-624-544	Pressure Differential Switch, SPDT, 0.85" Setting, 8000 – 12000' ft Elevation	Honeywell	IS20298-5511	HE-Series 2-(ALL)
	511-624-510	Pressure Differential Switch, SPDT, 1.00" Setting, 0 – 4000' ft Elevation	Honeywell	IS20298-5452	HE-Series 3, HE-II – Sizes (3,4,5)
	511-624-511	Pressure Differential Switch, SPDT, 0.90" Setting, 4000 – 8000' ft Elevation	Honeywell	IS20298-5453	HE-Series 3, HE-II – Sizes (3,4,5)
	511-624-512	Pressure Differential Switch, SPDT, 0.80" Setting, 8000 – 12000' ft Elevation	Honeywell	IS20298-5513	HE-Series 3, HE-II – Sizes (3,4,5)
	511-624-511	Pressure Differential Switch, SPDT, 0.90" Setting, 0 - 4000' ft Elevation	Honeywell	IS20298-5453	HE-Series 3, HE-II – Size (6)
	511-624-512	Pressure Differential Switch, SPDT, 0.80" Setting, 4000 - 8000' ft Elevation	Honeywell	IS20298-5513	HE-Series 3, HE-II – Size (6)
	511-624-513	Pressure Differential Switch, SPDT, 0.70" Setting, 8000 – 12000' ft Elevation	Honeywell	IS20298-5514	HE-Series 3, HE-II – Size (6)
	511-624-549	Pressure Differential Switch, SPDT, 1.47" Setting, 0 - 4000' ft Elevation	Honeywell	IS20298-5515	VHE-Series 1 (ALL)
	511-624-548	Pressure Differential Switch, SPDT, 1.15" Setting, 0 - 4000' ft Elevation	Honeywell	IS20298-5450	VHE-Series 2 (ALL)
	511-624-541	Pressure Differential Switch, SPDT, 1.05" Setting, 4000 - 8000' ft Elevation	Honeywell	IS20298-5449	VHE-Series 2 (ALL)
	511-624-545	Pressure Differential Switch, SPDT, 0.95" Setting, 8000 - 12000' ft Elevation	Honeywell	IS20298-5512	VHE-Series 2 (ALL)
	511-624-514	Pressure Differential Switch, SPDT, 1.26" Setting, 0 - 4000' ft Elevation	Honeywell	IS20298-5451	VHE-Series 3 (ALL)
	511-624-548	Pressure Differential Switch, SPDT, 1.15" Setting, 4000 - 8000' ft Elevation	Honeywell	IS20298-5450	VHE-Series 3 (ALL)
	511-624-541	Pressure Differential Switch, SPDT, 1.05" Setting, 8000 - 12000' ft Elevation	Honeywell	IS20298-5449	VHE-Series 3 (ALL)
6	590-317-630	Pressure Differential Switch Tubing, 1/8" I.D. X 12" Long, White	Manufacturers Rubber Supply		HE/VHE/HE-II
7	590-317-631	Pressure Differential Switch Tubing, 1/8" I.D. X 12" Long, Red	Manufacturers Rubber Supply		HE/VHE/HE-II

## EG Series 2 and 3 Water Trim



Fig. No.	Part No.	Description	Mfr.	Mfr.'s Part No.
<b>Temperature Controls For All EG Water Boilers Without Tankless Heaters (Except EG-75 Standing Pilot)</b>				
1	510-312-209	High Limit Temperature Control SPST, automatic recycle, 140-240°F 10°F fixed subtractive differential with 3/4" N.P.T. well	White Rodgers	L4080B1311
<b>Temperature Controls For EG-75 Standing Pilot</b>				
NS	510-312-150	Combination operating limit (140-240°F range) and fixed high limit (240°F Temperature Control, Auto recycle, DPST, w/ 3/4" well. Fixed high limit, furnished with wire leads for connection to thermocouple spade terminal block.	Carlin	EZ Temp 90224
<b>Temperature Controls For All EG Water Boilers With Tankless Heaters</b>				
2	510-312-249	Combination High Limit / Low Limit / Circulator Control With Transformer. HIGH LIMIT: SPST automatic recycle, 140-240°F range, 10°F subtractive differential. LOW LIMIT / CIRCULATOR CONTROL: SPDT, automatic recycle, 100-200°F range, 10-35°F adjustable differential	Honeywell	L8124E-1065

## EG Series 2 and 3 Water Trim

Fig. No.	Part No.	Description	Mfr.	Mfr.'s Part No.
<b>Trim For All EG Water Boilers</b>				
4	511-546-924	ASME Pressure Relief valve, set to relieve at 30 PSIG, ¾" N.P.T., female inlet	Watts	335
			Conbraco	10-408-05
N/S	510-218-097	Combination Pressure-Temperature Gauge 2 ½" dial, 0-60 PSIG, long shank, ¼" N.P.T. back connection	Ametek	PTA1088 SPEC 19995
			Ametek	PTA1088 SPEC 19981
			ENF-USA	4104-2-½ x ¼ CBM-30
6	511-210-423	Drain Valve, ¾" N.P.T., 1 ½" shank	Conbraco	31-606-01
7	510-148-567	Automatic Air Vent, float type, 1/8" N.P.T.	Taco	400-3
NS	590-921-904	Tankless Heater for EG 35-45 water boiler (Includes: heater, gasket, nuts and studs)	Heat Transfer Products	E-624
	590-921-905	Tankless Heater for EG 50-55 water boiler (Includes: heater, gasket, nuts and studs)	Heat Transfer Products	E-626
	590-921-901	Tankless Heater for EG 65-75 water boiler (Includes: heater, gasket, nuts and studs)	Heat Transfer Products	E-632

## EG Series 2 and 3 Steam Trim

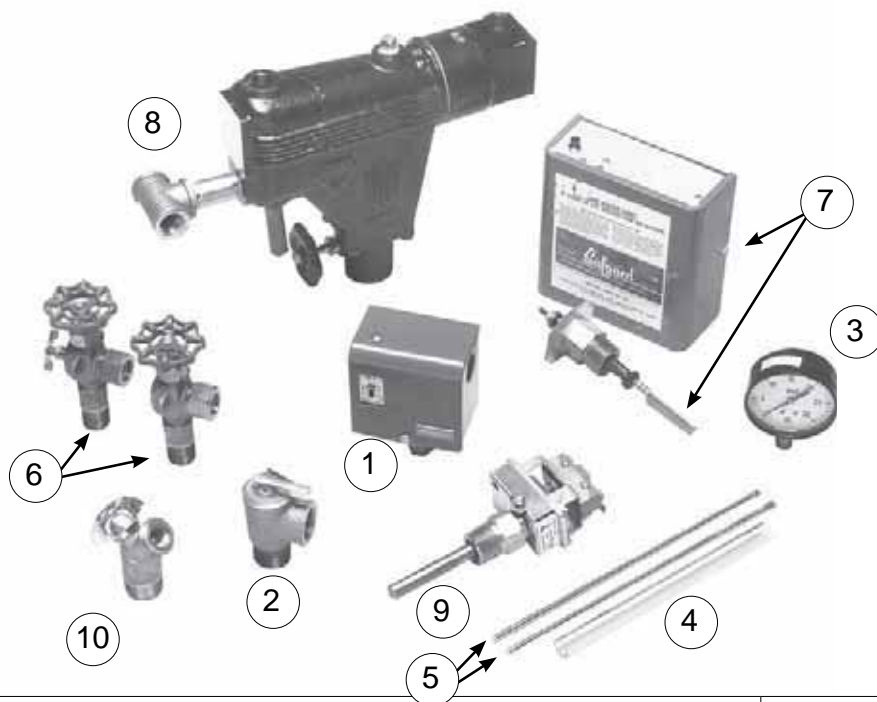


Fig. No.	Part No.	Description	Mfr.	Mfr.'s Part No.
1	510-312-135	High Pressure Limit Control, SPST, automatic recycle, 0-9 PSIG range, 0-5 PSIG differential, ¼" N.P.T. bottom connection	Johnson Controls	P47EA3D
			Honeywell	PA404A1009
2	511-548-023	ASME Steam Relief valve set to relieve at 15 PSIG ¾" N.P.T. male inlet	Conbraco	13-511-08
			Watts	315
3	510-218-045	Steam Pressure Gauge 0-3- PSIG, 2 ½" dial, ¼" N.P.T. male inlet	Ametek	E P505K 1437
4	383-600-000	Water Gauge Glass Kit, 5/8" X 7 3/8" with gaskets and brass washers	Weil-McLain	
5	563-334-580	Water Gauge Glass Guard, 3/8" X 9 3/8" (set of 2)	Weil-McLain	
10	511-210-423	Drain Valve, ¾" N.P.T., 1 ½" shank	Conbraco	31-606-01
NS	590-921-903	Tankless Heater – Steam Boiler (Includes: heater, gasket, nuts and studs. For EG-35 thru EG-75)	Heat Transfer Products	35-S-29
<b>Water Gauge Glass Cocks For Electrode Type Low Water Cut-Off</b>				
6	510-218-145	Water Gauge Glass Cocks, ½" N.P.T. male inlet (set of 2)	Conbraco	21-205-03-B55
<b>Water Gauge Glass Cocks For # 67 Float Type Low Water Cut-Off</b>				
6	510-218-135	Water Gauge Glass Cocks, ½" N.P.T. male inlet (set of 2)	Conbraco	20-205-03-B15
<b>Electrode Type Low Water Cut-Off Components</b>				
7	510-811-403	Low Water Cut-Off ,electrode type, SPDT, 24 volt, ¾" male N.P.T.	Hydrolevel	400
<b>Float Type Low Water Cut-Off Components For EG Steam Boilers</b>				
8	511-114-494	Float Type Low Water Cut-Off, SPDT, automatic recycle, 15 PSIG rated, 24 or 120volt contact rating, ½" N.P.T. with quick hook-up fittings (for EG steam except millivolt)	McDonnel-Miller	67W-1
<b>Tankless Heater Operating Temperature Control</b>				
9	510-312-250	Operating Temperature Control, SPST, automatic recycle, 140-250°F range, with ¾" N.P.T. control well, 10° fixed subtractive differential	Honeywell	L4080D1036
			White-Rodgers	11B81-3

## EG Series 2 Standing Pilot

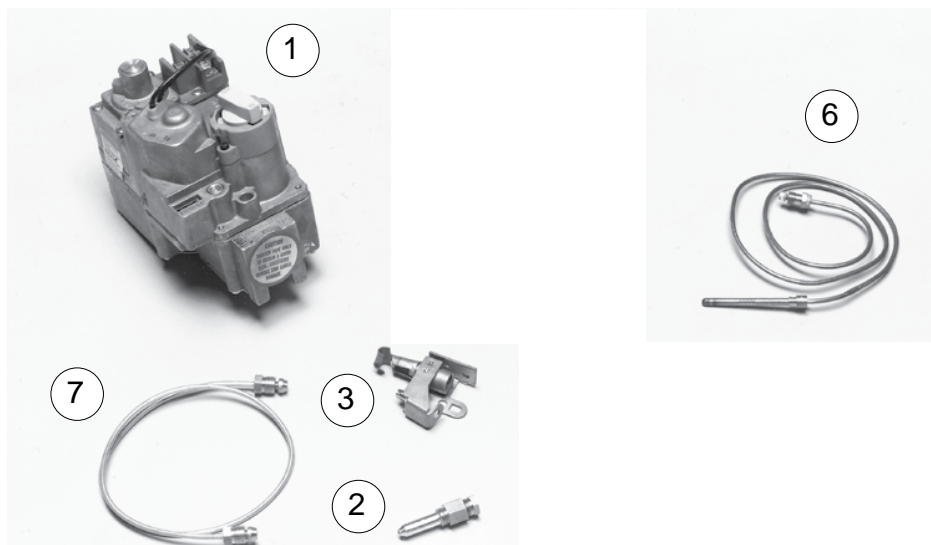


Fig. No.	Part No.	Description	Mfr.	Mfr.'s Part No.	Boiler Size													
					30	35	40	45	50	55	65	75						
<b>Components For Natural Gas Only</b>																		
1	511-044-360	Combination Gas Valve, 1/2" X 1/2" N.P.T., 24 Volt	Honeywell	VR8200A2116														
			Honeywell	7AO-A1B-042 (7200ER)	X	X	X	X	X									
	511-044-256	Combination Gas Valve, 3/4" X 3/4" N.P.T., 24 Volt	Honeywell	VR8300C4050						X	X							
	See Technical Bulletin SB0107	Thermocouple To Thermopile Conversion Kit (Includes: New Gas Valve, Thermopile, Lead Wire Assembly & Instructions)	Robertshaw	5A7501723 (7000 ERHC-S7C-3)										X				
2	560-528-980	Natural Gas Pilot Orifice, 0.018" Dia. (For E-38 Pilot Only)	Beckett Gas	P18U2	X	X	X	X	X	X	X	X	X	X				
	560-528-950	Natural Gas Pilot Orifice, A26. 0.026 Dia. (For Q327 Pilot Only)	Honeywell	388146-AG	X	X	X	X	X	X	X	X	X	X				



## EG Series 2 Standing Pilot

Fig. No.	Part No.	Description	Mfr.	Mfr.'s Part No.	Boiler Size																	
<b>Components For Propane Gas Only</b>																						
1	511-044-258	Combination Gas Valve, ½" X ½" N.P.T., 24 Volt	Honeywell	VR8200C1074	X	X	X	X	X													
	Honeywell		VR8200A2280	X	X	X	X	X														
	511-044-257	Combination Gas Valve, ¾" X ¾" N.P.T., 24 Volt	Honeywell	VR8300C4100									X	X								
	See Technical Bulletin SB0107	Thermocouple To Thermopile Conversion Kit (Includes: New Gas Valve, Thermopile, Lead Wire Assembly & Instructions)	Robertshaw	5A7-502-789 7000ERHC-LP											X							
2	560-528-985	Propane Gas Pilot Orifice. 0.010 Dia. (For E-38 Pilot)	Beckett Gas	P10U1																		
	560-528-957	Propane Gas Pilot Orifice. 0.010 Dia. (For Q327 Pilot Only)	Honeywell	388146KR	X	X	X	X	X	X	X	X	X	X	X							
<b>Components For Natural and Propane Gas</b>																						
3	511-330-197	Pilot Burner, Constant Burning, Thermally Supervised	Beckett Gas	E38A1	X	X	X	X	X	X	X	X	X	X	X							
	511-330-186	Pilot Burner, Constant Burning, Thermally Supervised	Honeywell	Q327A1642	X	X	X	X	X	X	X	X	X	X	X							
	See Technical Bulletin SB0107	Thermocouple With Spade Terminal Block, 36" Long. Has Been Replaced By One Of Two Thermocouple To Thermopile Conversion Kits. 510-811-461 For Natural Gas Or 510-811-462 For Propane Gas	Honeywell	Q309B1177											X							
6	511-724-253	Thermocouple, 48" Long (Clip In)	White-Rodgers	HO6E-048-02B1	X	X	X	X	X	X	X	X	X	X								
	Honeywell		Q309B1177	X	X	X	X	X	X	X	X	X	X									
	511-724-254	Thermocouple, 30" Long (Screw-In)	Johnson Controls	K16RA-30D	X	X	X	X	X	X	X	X	X	X								
			White Rodgers	HO8E-330	X	X	X	X	X	X	X	X	X	X								
7	560-742-860	Pilot Tubing With Compression Fittings, 1/8" O.D., Aluminum, 22 ¾" Long	Weil-McLain		X	X	X	X	X	X	X	X	X	X	X							

## EG Series 2 and 3 Intermittent Ignition

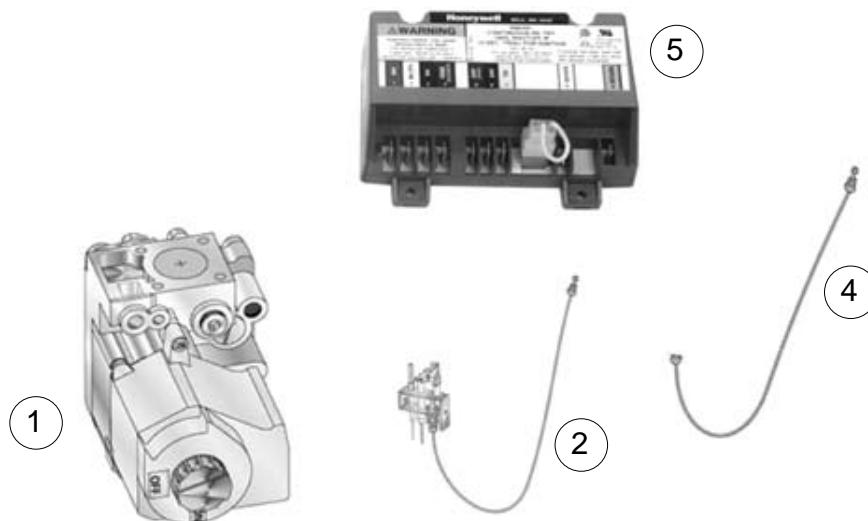


Fig. No.	Part No.	Description	Mfr.	Mfr.'s Part No.	Boiler Size										
					30	35	40	45	50	55	65	75			
<b>White Rodgers Cycle Pilot / Honeywell Intermittent Ignition</b>															
NS	510-811-458	Conversion Kit from Cycle Pilot or Honeywell to United Technology spark pilot system. Kit includes control module, 1/2" natural gas valve, pilot assembly, wiring and instructions	Weil-McLain		x	x	x	x	x						
NS	510-811-459	Conversion Kit from Cycle Pilot or Honeywell to United Technology spark pilot system. Kit includes control module, 3/4" natural gas valve, pilot assembly, wiring and instructions	Weil-McLain									x	x	x	
<b>United Technologies Universal Control System</b>															
1	511-044-381	Combination Gas Control Valve, 1/2" x 1/2" N.P.T., 24 volt	Honeywell	VR8204A2001	x	x	x	x	x						
			Robertshaw	7D1-D5B-029											
	511-044-382	Combination Gas Control Valve, 3/4" x 3/4" N.P.T., 24 volt	White-Rodgers	36E36-266-S1											
			Honeywell	VR8304P4348									x	x	x
2	511-330-218	Pilot Assembly Kit with orifice, aluminum pilot gas tubing, and spark wire and sense wire	PSE	PSE NA16	x	x	x	x	x	x	x	x	x	x	
4	560-742-860	Pilot Tubing with compression fittings, aluminum, 1/8" x 22 3/4"	Weil-McLain		x	x	x	x	x	x	x	x	x	x	
5	511-330-095	Ignition - Sensing Control Module with 24v damper molex (replaces Honeywell S8620C1011)	United Technology	1003-510	x	x	x	x	x	x	x	x	x	x	

EG Series 2 and 3 Millivolt

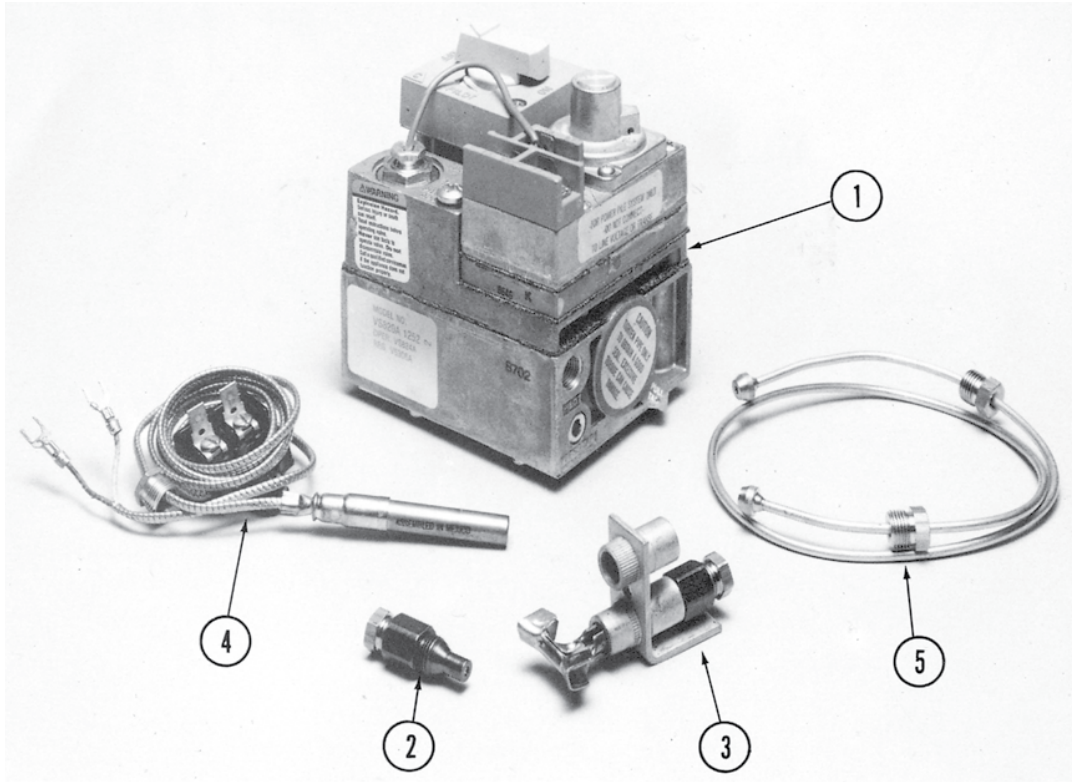


Fig. No.	Part No.	Description	Mfr.	Mfr.'s Part No.	Boiler Size														
					30	35	40	45	50	55	65	75							
<b>Components For Natural Gas Only</b>																			
1	511-044-239	Combination Gas Control Valve, 1/2" X 1/2" N.P.T. Millivolt	Honeywell	VS820A1252	X	X	X	X	X	X									
2	560-528-950	Natural Gas Pilot Orifice, A26, 0.026 Dia. For Q327 Pilot Only	Honeywell	388146-AG	X	X	X	X	X	X	X	X	X						
<b>Components For Propane Gas Only</b>																			
1	511-044-273	Combination Gas Control Valve, 1/2" X 1/2" N.P.T. Millivolt	Honeywell	VS820C	X	X	X	X	X	X									
	511-044-274	Combination Gas Control Valve, 3/4" X 3/4" N.P.T. Millivolt	Honeywell	VS820C								X	X						
2	560-528-957	Propane Gas Pilot Orifice, 0.010 Dia. For Q327 Pilot Only	Honeywell		X	X	X	X	X	X	X	X	X						
<b>Components For Natural And Propane Gas</b>																			
3	511-330-186	Pilot Burner, Constant Burning, Thermally Supervised	Honeywell	327A1642	X	X	X	X	X	X	X	X	X						
4	511-724-249	Powerpile Millivolt Generator, with Spade Terminal Block, 35" Long	Honeywell	Q313B1005	X	X	X	X	X	X	X	X	X						
5	560-742-860	Pilot Tubing With Compression Fittings, 1/8 OD Aluminum, 22 3/4 Long	Weil-McLain		X	X	X	X	X	X	X	X	X						

### EG Series 3 Standing Pilot

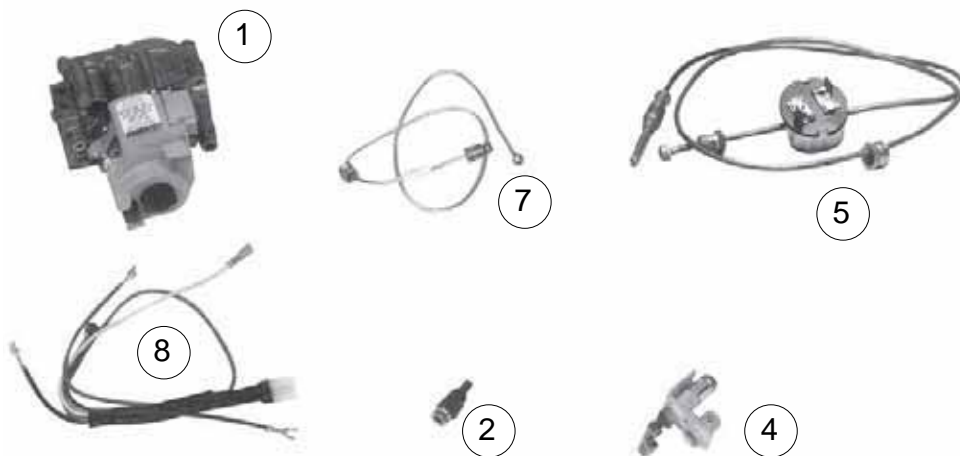


Fig. No.	Part No.	Description	Mfr.	Mfr.'s Part No.	Boiler Size										
					30	35	40	45	50	55	65	75			
<b>Components For Natural Gas Only</b>															
1	511-044-360	Combination Gas Valve, 1/2" X 1/2" N.P.T., 24 Volt	Honeywell	VR8200A2116											
			Honeywell	7AO-A1B-042 (7200ER)	x	x	x	x	x						
	511-044-256	Combination Gas Valve, 3/4" X 3/4" N.P.T., 24 Volt	Honeywell	VR8000C1307											
			Honeywell	VR8300C4050								x	x		
	See Technical Bulletin SB0107	Thermocouple To Thermopile Conversion Kit (Includes: New Gas Valve, Thermopile, Lead Wire Assembly & Instructions)	Robertshaw	5A7501723 (7000 ERHC-S7C-3)										x	
2	560-528-950	Natural Gas Pilot Orifice, A26. 0.026 Dia. (For Q327 Pilot Only)	Honeywell	388146-AG	x	x	x	x	x	x	x	x	x	x	
NS	510-811-640	Natural Gas Pilot Replacement Kit. (Includes: Slotted Main Burner W/Pilot Bracket, Pilot, Thermocouple And Pilot Tubing W/Fittings)	Weil-McLain		x	x	x	x	x	x	x	x			
<b>Components For Propane Gas Only</b>															
1	511-044-258	Combination Gas Valve, 1/2" X 1/2" N.P.T., 24 Volt	Honeywell	VR8200C1074	x	x	x	x	x						
			Honeywell	VR8200A2280											
	511-044-257	Combination Gas Valve, 3/4" X 3/4" N.P.T., 24 Volt	Honeywell	VR8300C4100								x	x		
	See Technical Bulletin SB0107	Thermocouple To Thermopile Conversion Kit (Includes: New Gas Valve, Thermopile, Lead Wire Assembly & Instructions)	Robertshaw	5A7-502-789 7000ERHC-LP										x	
2	560-528-957	Propane Gas Pilot Orifice. 0.010 Dia. (For Q327 Pilot)	Honeywell	3881446KR	x	x	x	x	x	x	x	x	x	x	

## EG Series 3 Standing Pilot

Fig. No.	Part No.	Description	Mfr.	Mfr.'s Part No.	Boiler Size								
NS	510811642	Propane Gas Pilot Replacement Kit (Includes: Slotted Main Burner W/Pilot Bracket, Pilot, Thermocouple And Pilot Tubing W/Fittings)	Weil-McLain		x	x	x	x	x	x	x		
<b>Components For Natural And Propane Gas</b>													
NS	511-330-186	Pilot Burner, Constant Burning Thermally Supervised	Honeywell	Q327A1642									x
5	See Technical Bulletin SB0107	Thermocouple With Spade Terminal Block Has Been Replaced By Thermocouple To Thermopile Conversion Kit	Honeywell	Q309B1177									x
7	560-742-860	Pilot Tubing With Compression Fittings, 1/8"OD X 22 3/4 " Aluminum	Weil-McLain		x	x	x	x	x	x	x	x	x
8	591-391-780	Control Wiring Harness	Weil-McLain		x	x	x	x	x	x	x	x	x

## EG Series 2 and 3 Common Parts

Fig. No.	Part No.	Description	Mfr.	Mfr.'s Part No.	Boiler Size								
					30	35	40	45	50	55	65	75	
<b>Vent Dampers and Components</b>													
2	510-312-255	Automatic Vent Damper Motor Operator With Molex Connector 24v	Johnson Control	M35BE-1C	X	X	X	X	X	X	X	X	X
N/S	591-391-795	Wiring Harness Connects Vent Damper Motor To Boiler	Johnson Control	Y84ABB	X	X							
3	381-800-475	Vent Damper Assembly 5" Dia	Effikal	RVGP-KS-5BKF	X	X							
			Effikal	RVGP-A-5BKF									
			Honeywell	D80D1066									
			Johnson Controls	Q35GD-2									
	381-800-476	Vent Damper Assembly 6" Dia	Effikal	RVGP-KS-6BKF									
			Effikal	RVGP-A-6BKF			X	X					
			Honeywell	D80D1074									
			Johnson Controls	Q35GF2									
	381-800-477	Vent Damper Assembly 7" Dia	Effikal	RVGP-KS-7BKF									
			Effikal	RVGP-A-7BKF						X	X		
			Honeywell	D80D1082									
			Johnson Controls	Q35GH-2									
381-800-478	Vent Damper Assembly 8" Dia	Effikal	RVGP-KS-8BKF										
		Effikal	RVGP-A-8BKF								X	X	
		Honeywell	D80D1090										
		Johnson Controls	Q35GK-2										
<b>Spill And Rollout Switches</b>													
4	512-050-230	Rollout Thermal Fuse 228° C	Elmwood Sensors	RD226-001	X	X	X	X	X	X	X	X	
5	510-300-013	Spill Switch With Reset, 210° F	Elmwood Sensors	2455RM 8174-0201	X	X	X	X	X	X	X	X	
<b>Combination Transfrmer Relay Receptacle</b>													
6	510-312-166	Combination Transformer-Relay Receptacle, 120/24v, 40va With Bale Wire	Honeywell	R8285K1004	X	X	X	X	X	X	X	X	
			Products Unlimited	01E07C5F23									
			White- Rodgers	S4A-85									
			White-Rodgers	599-9001									
<b>Plug-In Relay and Wire Clip</b>													
7	510-350-223	Plug-In Relay Dpst, 24 Volt Coil	Honeywell	R8222U1006	X	X	X	X	X	X	X	X	
			Products Unlimited	9100-241Q223									
			White Rodgers	91-112006-11000									
			White-Rodgers	91-322000-11000									

## EGH Series 2 and 3 Standing Pilot

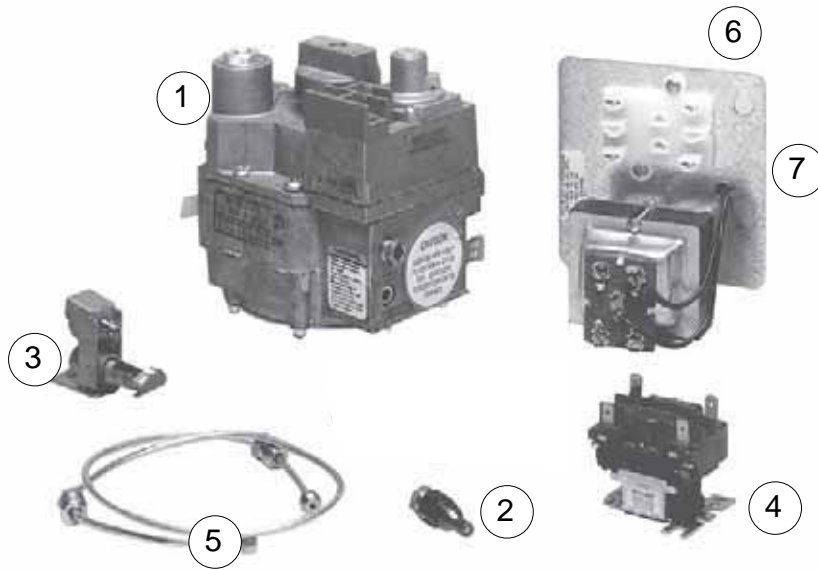
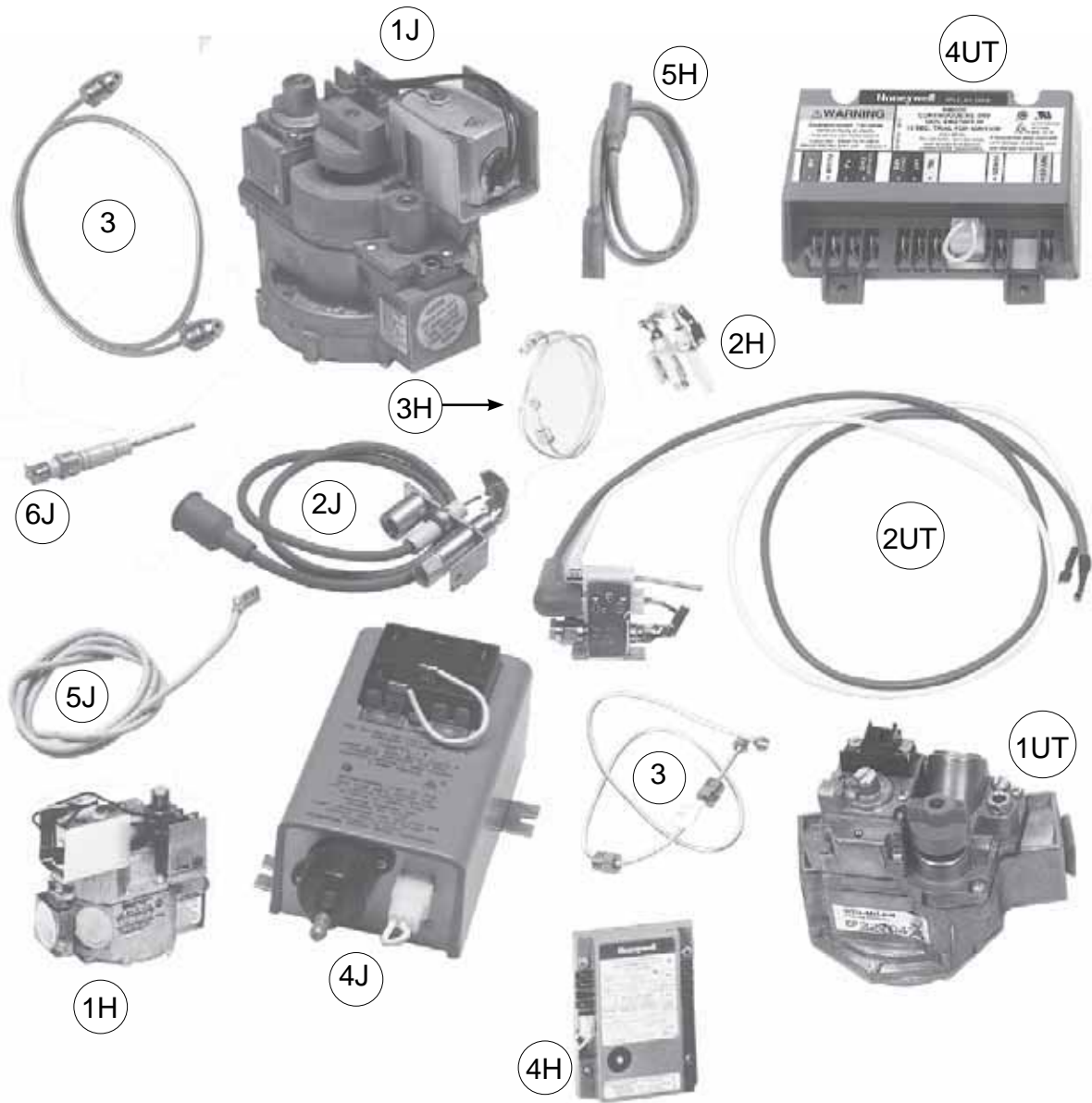


Fig. No.	Part No.	Description	Mfr.	Mfr's Part No.	Boiler size				
					85	95	105	115	125
<b>Components For Natural Gas Only</b>									
1	See Technical Bulletin SB0107	Thermocouple to Thermopile Conversion Kit (Includes: new gas valve, thermopile, lead wire assembly & instructions)			X	X			
2	560-528-950	Natural Gas Pilot Orifice, A26, .027"	Honeywell		X	X			
<b>Components For Propane Gas Only</b>									
1	See Technical Bulletin SB0107	Thermocouple to Thermopile Conversion Kit (Includes: new gas valve, thermopile, lead wire assembly & instructions)							
2	560-528-957	Propane Gas Pilot Orifice	Honeywell		X	X			
<b>Components For Natural Gas And Propane Gas</b>									
3	811-330-186	Pilot Burner, Constant Burning, Thermally Supervised	Honeywell	Q327A1642	X	X			
4	See Technical Bulletin SB0107	Thermocouple with spade block has been replaced by one of two thermo-couple to thermo-pile conversion kits: 510-811-461 for natural gas or 510-811-462 for propane gas			X	X			
5	560-742-865	Pilot tubing, 1/8" OD aluminum 34" long with compression fittings	Weil-McLain		X	X			
<b>Combination Transformer &amp; Relay Receptacle</b>									
6	510-312-166	Combination Transformer & Relay Receptacle, 120/24 volt, 40VA with bale wire	White Rodgers	S4A-85	X	X			
			White-Rodgers	599-9001					
			Honeywell	R8285K-9004					
<b>Plug-In Relay</b>									
7	510-350-223	Plug-in Relay, DPST, 24 volt coil	White-Rodgers	91-322000-11000	X	X			
			Honeywell	R822U 1006					
			Products Unlimited	9100-241Q223					

# EGH Series 2 and 3 Intermittent Ignition





## EGH Series 2 and 3 Intermittent Ignition

Fig. No.	Part No.	Description	Mfr.	Mfr's Part No.	Boiler size					
					85	95	105	115	125	
<b>United Technologies Intermittent Ignition</b>										
1-UT	511-044-286	Combination Gas Valve ¾" x 1" NPT 24 volt Natural Gas	Robertshaw	7000DERHC-S7C	X	X				
1-UT	511-044-287	Combination Gas Valve 1" x 1" NPT 24 volt Natural Gas	Robertshaw	7000DERHC-S7C			X	X	X	
2-UT	511-330-218	Pilot Assembly Kit with orifice, aluminum pilot gas tubing, and spark wire and sense wire	Precision Equipment	PSE-NA16	X	X	X	X	X	
3	560-742-865	Pilot Tubing, 1/8", 3 3/4" long with compression fittings	Weil-McLain		X	X	X	X	X	
4-UT	511-330-095	Ignition-Sensing Control Module with molex connector	United Technologies	1003-510	X	X	X	X	X	
<b>Honeywell Intermittent Ignition</b>										
1-H	511-044-286	Combination Gas Valve ¾" x 1" NPT 24 volt Natural Gas	Robertshaw	7000DERHC-S7C	X	X				
1-H	511-044-287	Combination Gas Valve 1" x 1" NPT 24 volt Natural Gas	Robertshaw	7000DERHC-S7C			X	X	X	
2-H	511-330-170	Combination Safety Pilot Burner with ignition-sensing electrode and natural gas orifice	Honeywell	Q348A-1002	X	X	X	X	X	
3	560-742-865	Pilot Tubing, 1/8", 3 3/4" long with compression fittings	Weil-McLain		X	X	X	X	X	
4-H	510-811-457	Conversion Kit to United Technologies Universal Control System. Includes module, wiring, pilot burner assembly and instructions. NO GAS VALVE	Weil-McLain		X	X	X	X	X	
5-H	591-391-798	Ignition-sensing cable, 36"	Weil-McLain		X	X	X	X	X	
<b>Johnson Intermittent Ignition</b>										
1-J	511-044-286	Combination Gas Valve ¾" x 1" NPT 24 volt Natural Gas	Robertshaw	7000DERHC-S7C	X	X				
1-J	511-044-287	Combination Gas Valve 1" x 1" NPT 24 volt Natural Gas	Robertshaw	7000DERHC-S7C			X	X	X	
2-J	511-330-163	Pilot Burner with ignition electrode and lead cable, sensing probe and lead wire, and natural gas orifice	Johnson	J992LYW7125	X	X	X	X	X	
3	560-742-865	Pilot Tubing, 1/8", 3 3/4" long with compression fittings	Weil-McLain		X	X	X	X	X	
4-J	510-811-457	Conversion Kit to United Technologies Universal Control System. Includes module, wiring, pilot burner assembly and instructions. NO GAS VALVE	Weil-McLain		X	X	X	X	X	
5-J	511-724-270	Sensing Probe Lead Wire, 30" with spade receptacle	Weil-McLain		X	X	X	X	X	
6-J	511-724-264	Sensing Probe with spade receptacle	Johnson	J75AA-3	X	X	X	X	X	

### EGH Series 2 and 3 Water Trim

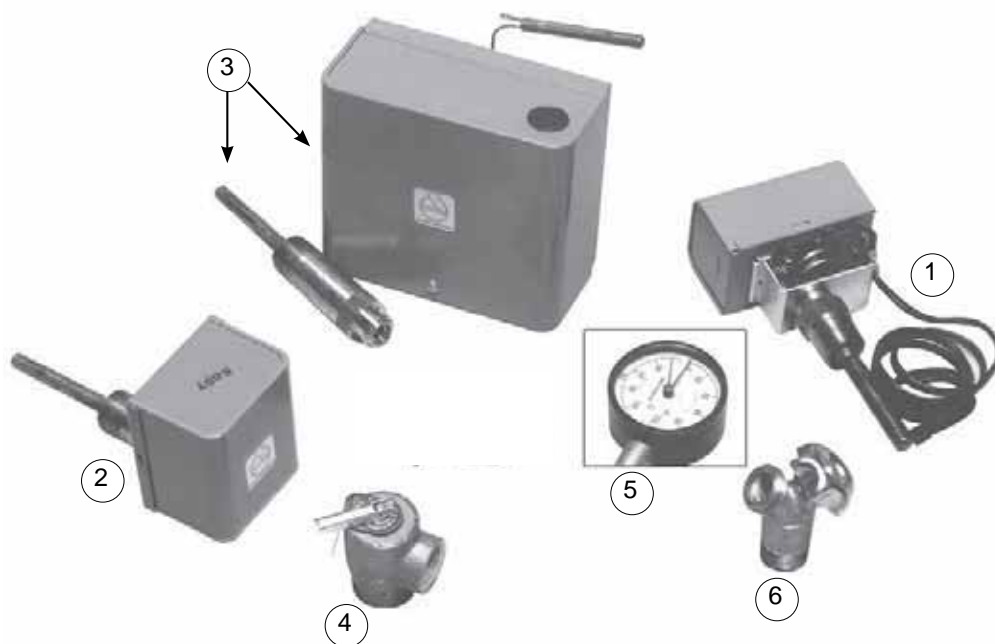


Fig. No.	Part No.	Description	Mfr.	Mfr's Part No.	Boiler size					
					85	95	105	115	125	
<b>Temperature Controls For Standard Model Boilers</b>										
1	510-312-150	Combination operating limit (140-240°F range) and fixed high limit (240° F) Temperature Control, Auto recycle, DPST, w/ 3/4 " well. Fixed high limit, furnished with wire leads for connection to thermocouple spade terminal block.	Carlin	EZ Temp 90224	X	X				
<b>Temperature Controls For PI And PID Boilers Without Tankless Heaters</b>										
2	510-312-250	Operating temperature control, SPST, auto recycle, 140-240°F subtractive differential with 3/4" NPT well	Honeywell	L4080D1036	x	x	x	x	x	
			White Rodgers	11B81-3	x	x	x	x	x	
2	510-312-209	High Limit Temperature Control SPST, automatic recycle, 140-240°F, 10°F fixed subtractive differential with 3/4 " NPT well	Honeywell	L4080B-1311	X	X	X	X	X	
<b>Temperature Controls For Standard Model, PI And PID Boilers With Tankless Heaters</b>										
3	510-312-249	Combination High Limit / Low Limit / Circulator Control With Transformer. HIGH LIMIT: spst automatic recycle, 140-240°F range, 10°F subtractive differential. LOW LIMIT / CIRCULATOR CONTROL: spdt, automatic recycle, 100-200°F range, 10-35°F adjustable differential	Honeywell	L8124E-1065	X	X	X	X	X	
<b>Water Trim Components Common To All Boilers</b>										
4	511-546-924	ASME Pressure Relief Valve, set to relieve at 30 PSIG, 3/4" NPT, female inlet	Watts	335	X	X	X	X	X	X
			Conbraco	10-408-05						
5	510-218-097	Combination Pressure-Temperature Gauge 2 1/2 " dial, 0-60 PSIG, long shank, 1/4 " NPT back connection	ENFM-USA	4104	X	X	X	X	X	
6	511-210-423	Drain Valve, 3/4" NPT, 1 1/2" shank	Conbraco	31-606-01	X	X	X	X	X	
N/S	590-921-901	Tankless Heater for EGH 85-125 water boiler, includes heater, gasket, nuts and studs	Heat Transfer Products	E-632	X	X	X	X	X	

## EGH Series 2 and 3 Steam Trim

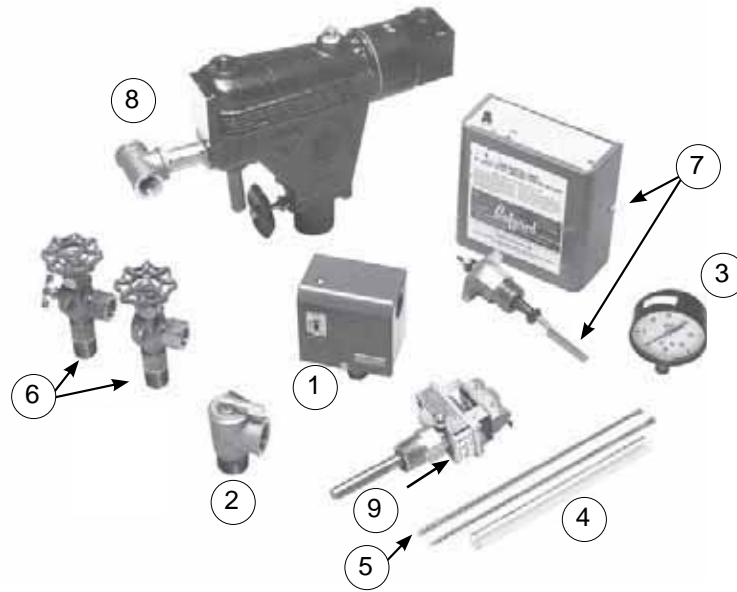


Fig. No.	Part No.	Description	Mfr.	Mfr.'s Part No.
1	510-312-135	High Pressure Limit Control, SPST, Automatic Recycle, 0-9 PSIG Range, 0-5 PSIG Differential, ¼" N.P.T. Bottom Connection	Honeywell	PA404A1009
2	511-548-020	ASME Steam Relief Valve Set To Relieve At 15 PSIG ¾" N.P.T. Male Inlet	Conbraco	13-211-08
			Watts	415
3	510-218-045	Steam Pressure Gauge 0-3- PSIG, 2 ½" Dial, ¼" N.P.T. Male Inlet	Ametek	E P505K 1437
4	383-600-000	Water Gauge Glass Kit, 5/8" X 7 3/8" With Gaskets And Brass Washers	Weil-McLain	
5	563-334-580	Water Gauge Glass Guard, 3/8" X 9 3/8" (Set Of 2)	Weil-McLain	
10	511-210-423	Drain Valve, ¾" N.P.T., 1 ½" Shank	Conbraco	31-606-01
NS	590-921-904	Tankless Heater – Steam Boiler Includes Heater, Gasket, Nuts And Studs. For EG-35 Thru EG-75	Heat Transfer Products	35-S-29
<b>Water Gauge Glass Cocks For Electrode Type Low Water Cut-Off</b>				
6	510-218-145	Water Gauge Glass Cocks, ½" N.P.T. Male Inlet (Set Of 2)	Conbraco	21-205-03-B55
<b>Water Gauge Glass Cocks For # 67 Float Type Low Water Cut-Off</b>				
6	510-218-135	Water Gauge Glass Cocks, ½" N.P.T. Male Inlet (Set Of 2)	Conbraco	20-205-03-B15
<b>Electrode Type Low Water Cut-Off Components</b>				
7	510-811-403	Low Water Cut-Off, Electrode Type, SPDT, 24 Volt, ¾" Male N.P.T.	Hydrolevel	400
<b>Float Type Low Water Cut-Off Components For EGH Steam Boilers</b>				
8	511-114-494	Float Type Low Water Cut-Off, SPDT, Automatic Recycle, 15 PSIG Rated, 24 Or 120volt Contact Rating, ½" N.P.T. With Quick Hook-Up Fittings	McDonnell-Miller	67W-1
<b>Tankless Heater And Operating Temperature Control</b>				
9	510-312-250	Operating Temperature Control, SPST, Automatic Recycle, 140-250°F range, with ¾" N.P.T. control well, 10° fixed subtractive differential	Honeywell	L4080D1036
			White-Rodgers	11B81-3
NS	590-921-903	Tankless Heater – Steam Boiler (Includes: heater, gasket, nuts and studs) For EG-35 thru EG-75	Heat Transfer Products	35-S-29

## EGH Series 2 and 3 Common Components



Fig. No.	Part No.	Description	Mfr.	Mfr's Part No.	Boiler size				
					85	95	105	115	125
<b>Vent Dampers And Components</b>									
2	510-512-337	Vent Damper Motor Operator with molex connector	Effikal	RVGP	X	X	X	X	X
6	591-391-795	WIRING HARNESS with molex, connects vent damper motor to boiler	Effikal		X	X	X	X	X
3	381-800-445	VENT DAMPER ASSEMBLY with wiring harness, 9" dia.	Effikal	RVGP-KS-9BKF	X				
			Johnson Controls	Q35GM-2					
	381-800-446	VENT DAMPER ASSEMBLY with wiring harness, 10" dia.	Effikal	RVGP-KS-10BKF		X	X		
			Johnson Controls	Q35GP-2					
	381-800-447	VENT DAMPER ASSEMBLY with wiring harness, 12" dia.	Effikal	RVGP-KS-12BF				X	X
			Johnson Controls	Q35GR-2					

## EGH Series 2 and 3 Common Components

<b>Combination Transformer Relay Receptacle</b>										
4	510-312-166	Combination Transformer & Relay Receptacle, 120/24 volt, 40 va	White Rodgers	S84A-85						
			Honeywell	R8285K 1004	X	X	X	x	X	
			Products Unlimited	57-01E07C5F223						
<b>Plug-In Relay</b>										
5	510-350-223	PLUG-IN RELAY dpst, 24 volt coil	White Rodgers	91-322000-11000						
			Honeywell	R8222U 1006	X	X	X	X	X	
			Products Unlimited	9001-241Q223						
<b>Propane Components For EGH-PI Models</b>										
7	511-330-229	Pilot Switch Box	Johnson Controls	L62GB-3C	X	X	X	X	X	
8	560-528-957	Propane orifice, .010 dia. (for Q327/Q348 pilot) K14	Honeywell	388146KR	X	X	X	X	X	
9	511-330-186	Standing Pilot Burner	Honeywell	Q327A 1642	X	X	X	X	X	
10	511-724-254	Thermocouple Lead, 30"	Honeywell	Q309A 1988	X	X	X	X	X	
11	511-246-340	Manual shut-off pilot gas valve, 1/8" NPT x 1/4" CC	Conbraco	P2R230-4141	X	X	X	X	X	
12	511-044-278	Combination gas control valve, 3/4" x 1" N.P.T., 24 volt PROPANE GAS	Robertshaw	7000DERHC-S7C	X	X				
	510-044-279	Combination gas control valve, 1" x 1" N.P.T., 24 volt PROPANE GAS	Robertshaw	7000DERHC-S7C			X	X	X	

## AHE Series 2 and 3 Section Assembly

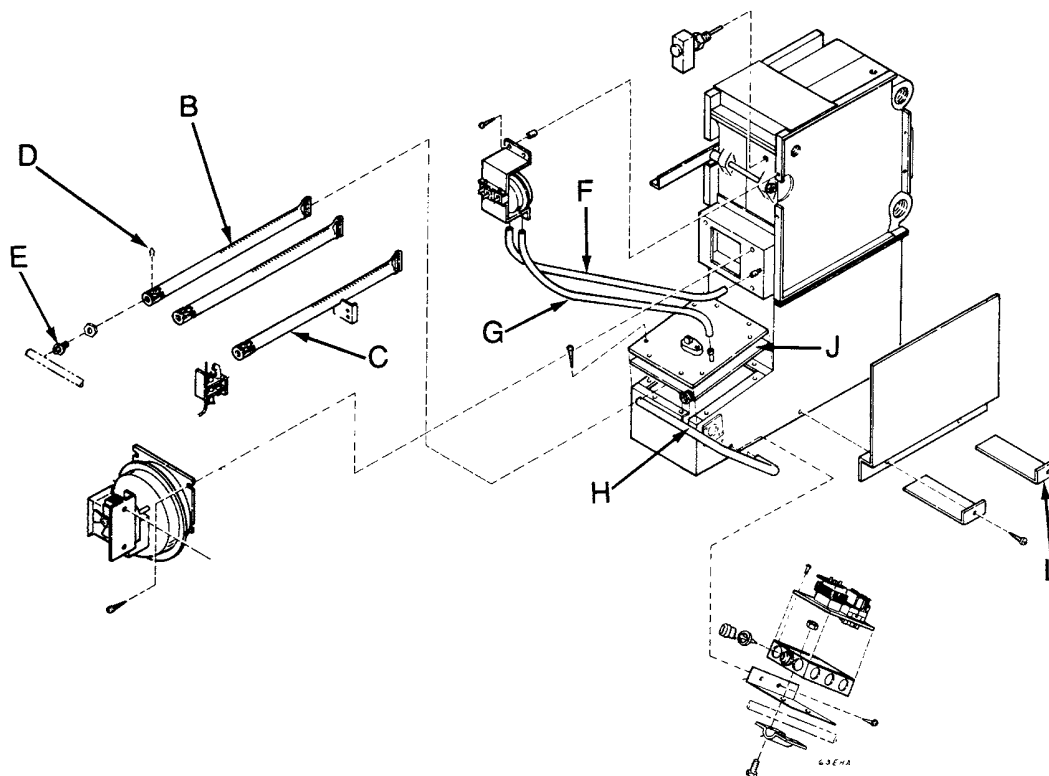


Fig. No.	Part No.	Description	Series No.
B	512-200-077	Burner, Tubular Steel, Regular	2,3
C	512-200-045	Burner, Tubular Aluminum with Pilot Bracket	2,3
D	562-610-325	Hair Pin Clip	2,3
E	560-529-018	Main Burner Orifice, Natural Gas, No. 48 Drill Size (Order sufficient quantities to replace all orifices within a base)	3
E	560-529-019	Main Burner Orifice, Propane Gas, 1.15 mm Drill Size (Order sufficient quantities to replace all orifices within a base)	3
H	591-126-573	Burner Manifold - AHE-60	2,3
J	590-317-605	Gasket, Burner Inlet Plenum Cover, 6 _ x 6" - AHE-45	2,3
J	590-317-606	Gasket, Burner Inlet Plenum Cover, 6 _ x 9" - AHE-60	2,3
	411-400-160	Back Intake Wall Sleeve, Intake/Exhaust Tubes, 9 - 13" Wall	2,3
	411-400-175	Back Intake Wall Sleeve, Intake/Exhaust Tubes, 13 - 24" Wall	2,3
	411-400-150	Side Outlet Wall Sleeve, 9" - 13" Wall	2,3
	411-400-170	Side Outlet Wall Sleeve, 13" - 24" Wall	2,3
	411-400-142	Side Outlet Intake/Exhaust Tube	2,3
	590-317-603	Gasket, Exhaust Box to Blower	2,3
	590-317-602	Gasket, Air Box to Burner Inlet	2,3

Note: AHE-45 has 3 burners, AHE-60 has 4 burners. If cycle pilot, replace 1 of the aforementioned burners with a burner and pilot bracket.

## AHE Series 2 and 3 Blower and Ignition Control Components

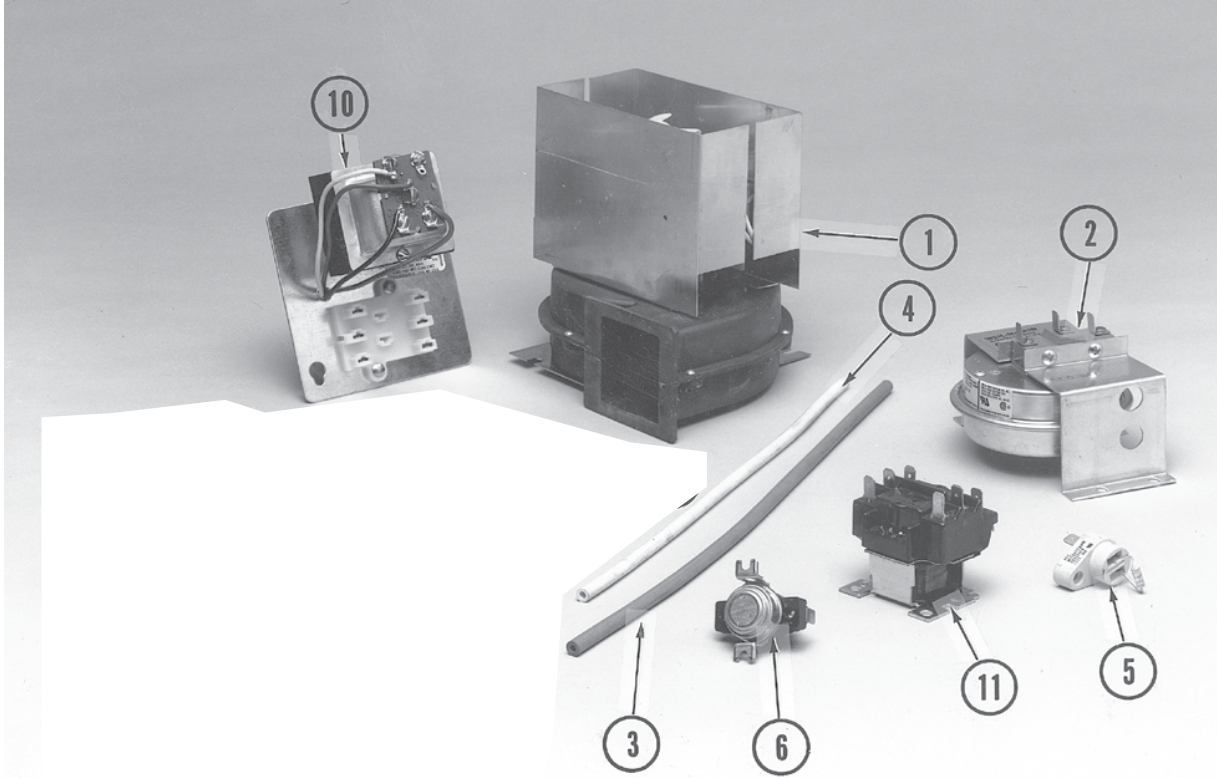


Fig No.	Part No.	Description	Mfr.	Mfr's Part No.	Boiler Size
1	510-811-466	Blower and Motor Assembly Replacement Kit (Includes Blower Housings Left & Right, Mounting Plate, Blower Wheel, Blower Motor 120/60/1, Motor Fan, Guard), Series 2 & 3	Weil-McLain		45,60
2	511-624-530	Differential Pressure Switch, SPST Switch Action, 0.35" W.C. Setting, Sea Level to 4,000 ft. Elevation, Series 2 & 3	Tridelta	FS6707-1388	45
			Tridelta	FS4125-116	45
	511-624-532	Differential Pressure Switch, SPST Switch Action, 0.30" W.C. Setting, Sea Level to 4,000 ft. Elevation, Series 2 & 3	Tridelta	FS6707-1389	60
			Tridelta	FS4125-117	60
3	590-317-636	Pressure Differential Switch Tubing, 1/8" ID x 14 1/2", Red, Series 2 & 3	Weil-McLain		45,60
4	590-317-632	Pressure Differential Switch Tubing, 1/8" ID x 7", White, Series 2 & 3	Weil-McLain		45,60
5	512-050-235	Thermo Fuse, 121° C, Series 2 & 3	Weil-McLain		45,60
6	510-350-062	Low Water Cut-Off Temperature Control Device, 240° F Setting, SPST Switch Action, Manual Reset (Red Manual Reset Push Button), Series 2 & 3	Hamilton-Standard	404-132	45,60
			Thermodisc	60T25330850	45,60

## AHE Series 2 and 3 Blower and Ignition Control Components

10	510-312-166	Combination Transformer-Relay Receptacle, 120/24 Volt, 40VA (w/Bale Wire), Series 2 & 3	Honeywell	R8285K1004	45,60
			Products Unlimited	5701E07C5 F223	45,65
			White- Rodgers	584A-85	45,65
			White- Rodgers	599-9001	45,65
11	510-350-223	Plug-In Relay, DPST, 24 Volt Holding Coil, Series 2 & 3	Honeywell	R8222UI006	45,65
			Products Unlimited	9100- 241Q223	45,65
			White- Rodgers	91-112006- 11000	45,65
			White- Rodgers	91-322000- 11000	45,65

### AHE Series 2 Gas Control Components White-Rodgers Cycle Pilot Ignition/Sensing System

Part No.	Description	Mfr.	Mfr's Part No.	Boiler Size
511-330-122	Combination Safety Pilot Burner with Ignition Electrode and Ignition Lead Cable, 30"	White-Rodgers	E51-47	45,60
		Beckett Gas	E51-D5	45,60
560-742-860	Pilot Tubing, 1/8" O.D. Aluminum X 22 3/4" Long, with Compression Fittings	Weil-McLain		45,60

*Note: No other cycle pilot parts available through Weil-McLain.*



## AHE Series 3 Gas Control Components

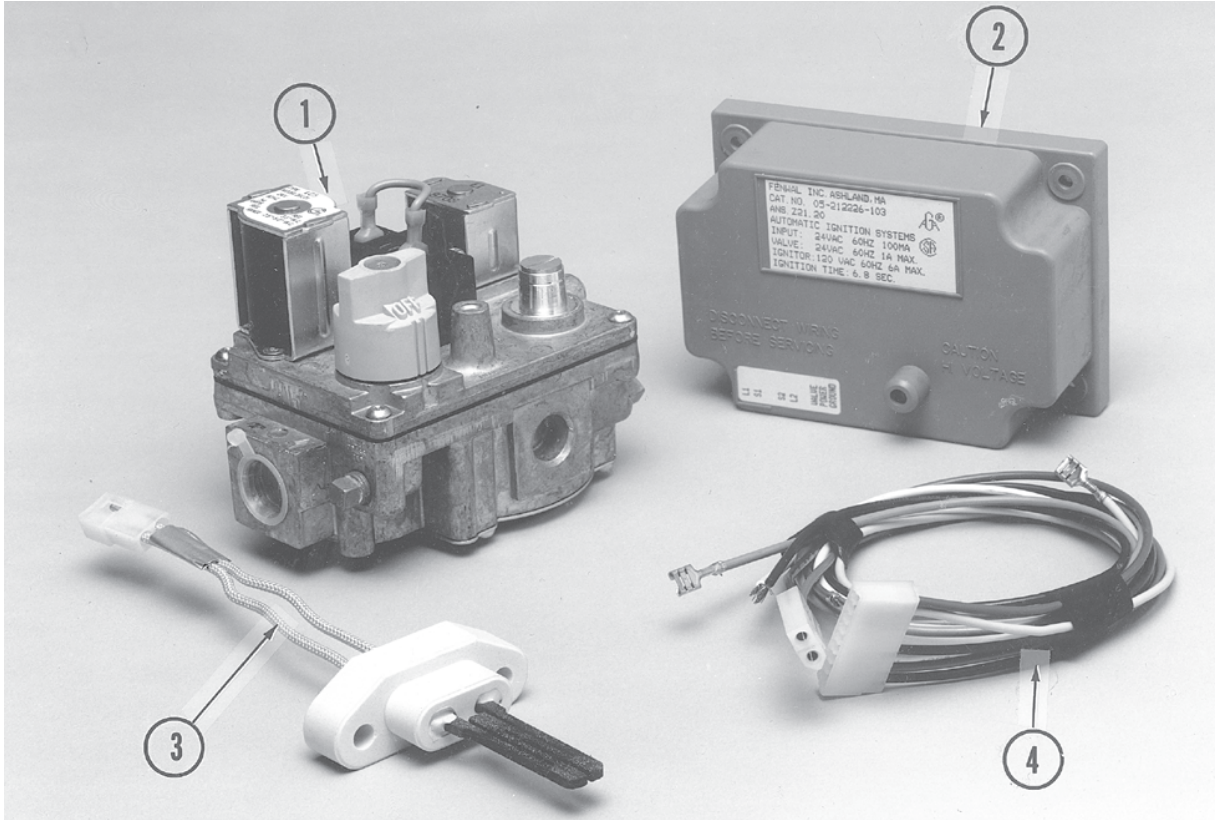


Fig No.	Part No.	Description	Mfr.	Mfr's Part No.	Boiler Size
1N	381-400-170	Gas Valve Replacement Kit, Natural Gas, HSI	Honeywell	VR8205A2008	45,60
			Robertshaw	7A5-A8B-044	45,60
			White-Rodgers	B1	45,60
1P	381-400-173	Gas Valve Replacement Kit, Propane Gas, HSI	Honeywell	VR8205A2081	45,60
			Robertshaw	7A5-C3C-045	45,60
			White-Rodgers	B1	45,60
2	510-811-476	Retrofit kit from Fenwal 05-21 or 05-31 to Fenwall 35-655505-011. Includes module, igniter replacement kit, wiring, hardware and instructions	Fenwall	35-655505-011	45,60
3	511-330-148	Igniter Replacement Kit. Includes Igniter, Gasket, Screws	Weil-McLain		45,60
NS	571-330-155	Fenwall 35-655505-011 Ignition Sensing Control Module only. See retrofit kits above for retrofitting	Fenwall	35-655505-011	45,60

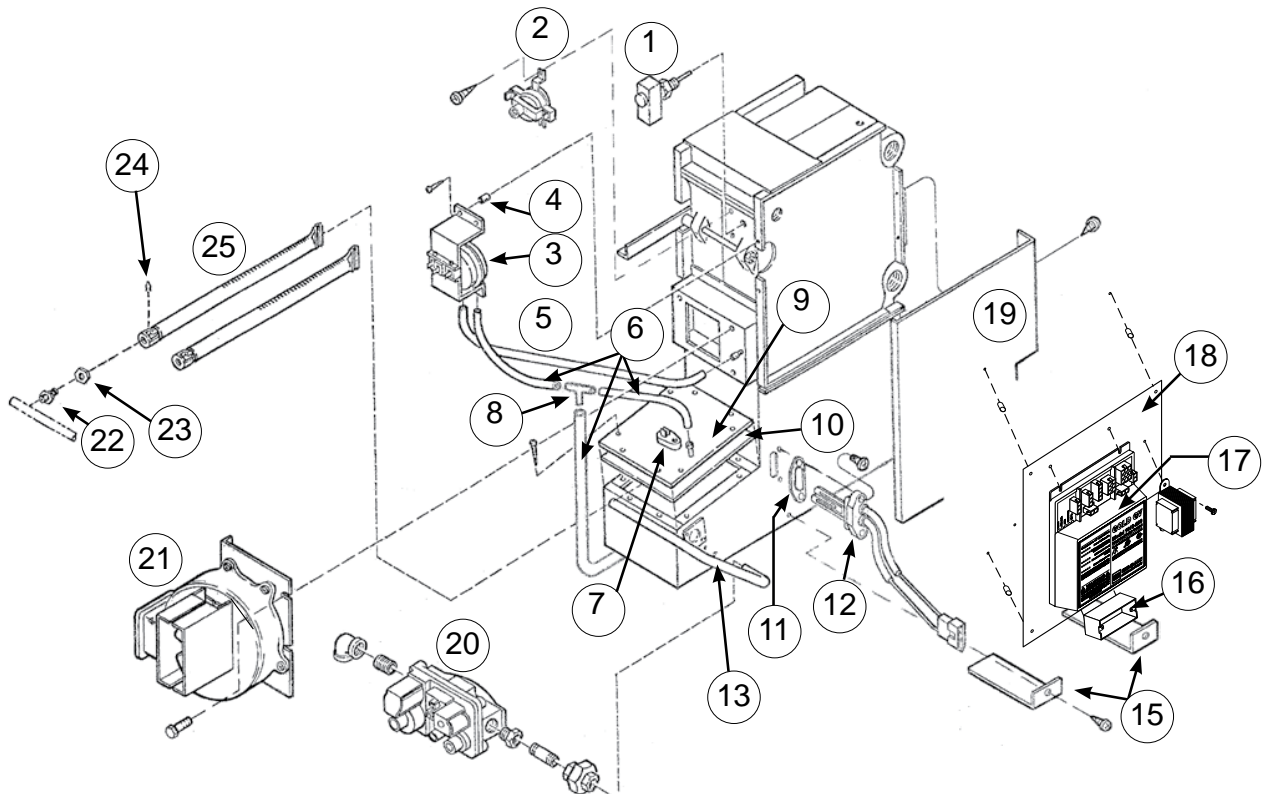
## AHE Series 2 and 3 Water Trim



Fig No.	Part No.	Description	Mfr.	Mfr's Part No.	Boiler Size
1	510-312-012	High Limit Temperature Control, SPST Automatic Recycle, 140-220° F Range, 10° F Fixed Subtractive Differential, with 5/16" N.P.T. Brass Control Well, Series 2 & 3	White-Rodgers	2B61-425	45,60
2	511-546-923	ASME Pressure Relief Valve, Set to Relieve at 50 PSIG, 3/4" N.P.T. Male Inlet, Brass, Side Outlet, Series 3 only	Conbraco	10-407-10	45,60
2	511-546-924	ASME Pressure Relief Valve, Set to Relieve at 30 PSIG, 3/4" N.P.T. Male Inlet, Brass, Side Outlet, Series 2 only	Watts	335	45,60
2	511-546-920	ASME Pressure Relief Valve, Set to Relieve at 30 PSIG, 3.4" N.P.T. Male Inlet, Brass, Side Outlet, Series 2 only	Watts	M330	45,60
3	510-218-099	Combination Pressure-Temperature Gauge, 2 1/2" Dial, 0-60 PSIG, 60-260°F, Short Shank, Back Connection, 1/4" N.P.T., Series 2 & 3	Ametek	PT 1088	45,60
			ENFM-USA	1/4 CBM	45,60
4	511-210-423	Drain Valve, 3/4" N.P.T., Brass Series 2 & 3	Conbraco	31-606-01	45,60
5	510-148-563	Automatic Air Vent, Float Type, 1/4" N.P.T., Series 2 & 3	Maid-O-Mist	66	45,60
7	511-405-006	Circulator Cartridge with Gaskets and Hardware, Series 2 & 3	Taco	005-006RP	45,60
8	511-405-007	Bypass Mixing Thermal Element with Gasket and Spring, Series 2 & 3	Taco	005-009RP	45,60
9	590-317-535	Circulator Gasket, Series 2 & 3	Weil-McLain		45,60
10	381-354-530	Circulator Hardware Kit, 3/4" Universal, Series 2 & 3	Weil-McLain		45,60

# NOTES

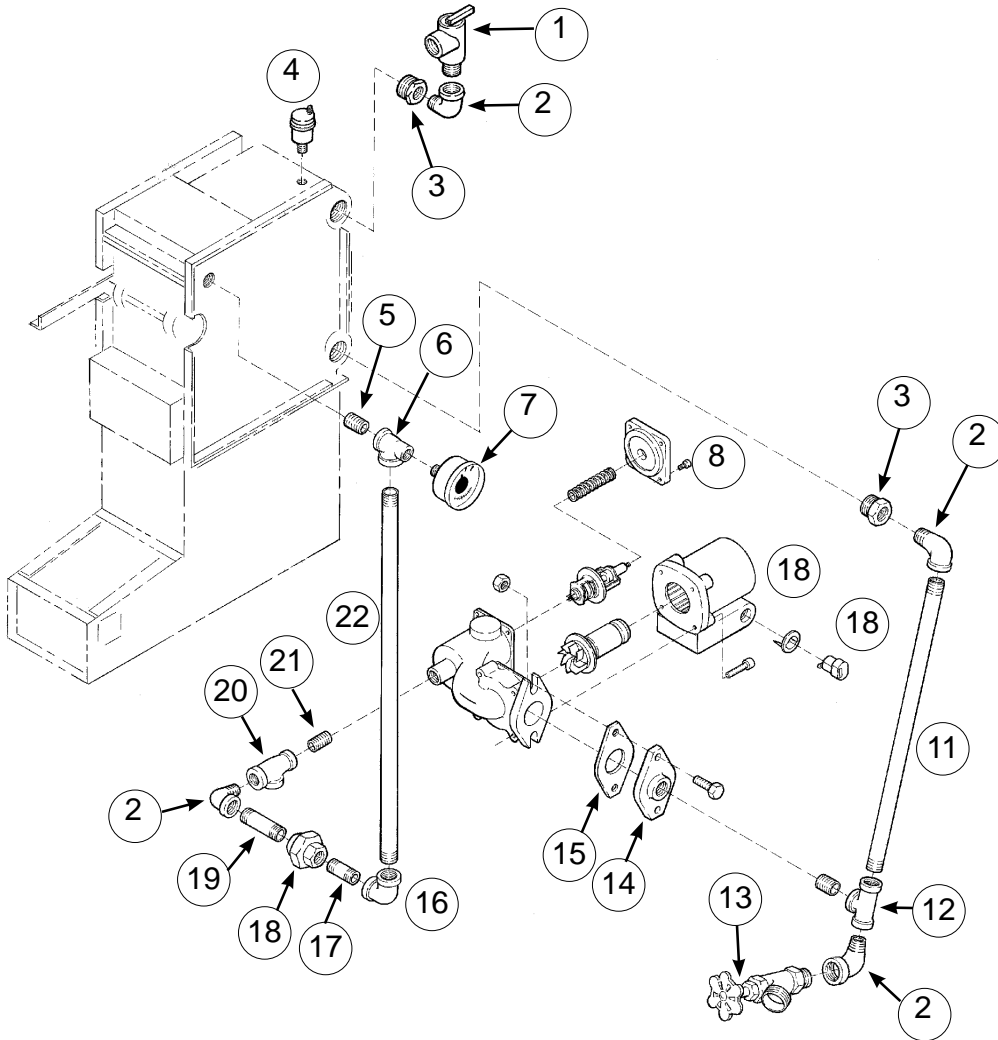
### AHE Series 4 Base Assembly



## AHE Series 4 Base Assembly

Fig No.	Part No.	Description	Mfr.	Mfr's Part No.
1	510-312-009	Limit control, 120-240°, 10° fixed differential, with 5/16" well	White-Rodgers	2BB61-425EL
2	510-350-062	Block Temperature Switch		
3	511-624-530	Pressure Switch AHE-45--.35" w.c.	Tridelta	FS6707-1388
	511-624-532	Pressure Switch AHE-60--.30" w.c.	Tridelta	FS6707-1389
4	563-039-975	Spacer, # 10 x 1/2, steel		
5	590-317-632	Silicone tubing, white 7.00"	Lyndall, Inc.	80-0694-2
6	590-317-645	Silicone tubing, red 6.00"	Lyndall, Inc.	80-0694-2
	590-317-631	Silicone tubing, red 12.00"	Lyndall, Inc.	80-0694-2
	590-317-636	Silicone tubing, red 14.50"	Lyndall, Inc.	80-0694-2
	512-050-235	Rollout thermal fuse element	Microtemp	G4AM0604121C
8	Obtain Locally	Tee, 1/8" x 1/8" x 1/8"		
10	590-317-605	Gasket, burner inlet plenum cover AHE-45		
	590-317-606	Gasket, burner inlet plenum cover AHE-60		
11	590-317-599	Gas igniter		
12	511-330-148	Igniter , with gasket	Norton	271
13	591-126-573	Burner manifold AHE-60-10.63"		
14	Obtain Locally	Junction box, 4" x 2.12"		
15	450-030-769	Bottom Insulation Retainer		
16	511-842-370	Transformer	Honeywell	AT140B1297
			Product Unlimited	4000-01V18R223
			Basler Electric	BE111640GDD
17	382-200-448	Control module kit, includes module, circulator harness and temperature jumper	United Technologies	1013-200
NS	591-391-831	Wiring harness, control		
20	511-044-367	Gas valve, natural gas, 1/2 x 1/2	White-Rodgers	36E36-267
			Honeywell	VR8205A2008
			Robertshaw	7200 DER
	511-044-373	Gas valve, propane gas, 1/2 x 1/2	White-Rodgers	36E36-265
			Honeywell	VR8205A2081
			Robertshaw	7200 DER
21	510-811-466	Blower motor assembly		
22	560-529-018	Main burner orifice #48 hole natural gas		
	560-529-019	Main burner orifice 1.15 mm hole LP		
23	Obtain Locally	Nut, hex jam, 1/2 0-20		
24	562-610-325	Clip hairpin		
25	512-200-007	Main burner, stainless steel		

### AHE Series 4 Trim



## AHE Series 4 Trim

Fig No.	Part No.	Description	Mfr.	Mfr's Part No.
1	511-546-923	Relief Valve, 3/4"	Conbraco	10-407-10
2	Obtain Locally	Street Elbow, 3/4", black		
3	Obtain Locally	Bushing, 1 1/2" x 3/4" black, inside hex		
4	510-148-563	Air Vent	Maid-O-Mist	66
			Watts	ZV-4MI
5	Obtain Locally	3/4" x close, Black, AHE-45		
5	Obtain Locally	3/4" x 4 1/2" , Black, AHE-60		
6	Obtain Locally	Tee, 3/4" x 1/4" x 3/4", black		
7	510-218-099	Combination temperature-pressure gauge, short shank	US Gauge	199980
			ENFM	4104-2-1/2-1/4CBM
8	511-405-008	Circulator pump with mixing valve	Taco	005-RFI-2W
NS	591-391-902	Wire Harness, with Temperature Sensor Plug, for Circulator	Weil-McLain	
	511-405-006	Circulator Cartridge with gaskets and hardware	Taco	005-006RP
	511-405-007	Bypass mixing element with gaskets and spring	Taco	005-009RP
9	Obtain Locally	Strain relief bushing		
10	Obtain Locally	Strain relief adapter		
11	Obtain Locally	Nipple, 3/4" x 13 1/2", black		
12	Obtain Locally	Tee, 3/4", black		
13	511-210-423	Drain valve, 3/4" x 1 1/2" shank	Conbraco	31-606-01
	511-246-392	Drain valve, 3/4" x 1 1/2" shank	Matco-Norca	
			Nibco	#74
14	381-354-530	Pump flange kit, 3/4", includes 1 flange, gasket, 2 bolts, 2 nuts		
15	590-317-535	Pump flange gasket		
16	Obtain Locally	Elbow, 3/4", black		
17	Obtain Locally	Nipple, 3/4" x 2 1/2", black		
18	Obtain Locally	Union, 3/4", black		
19	Obtain Locally	Nipple, 3/4" x 3", Black, AHE-45		
19	Obtain Locally	Nipple, 3/4" x 6", Black, AHE-60		
20	Obtain Locally	Tee, 3/4" x 1/2" x 3/4", black		
21	Obtain Locally	Nipple, 1/2" x close, black		
22	Obtain Locally	Nipple, 3/4" x 22 1/2", black		

## AHE Series 4 Jacket and Vent Parts

Part No.	Description	Series No.	Boiler Size
411-400-120	Complete Jacket, AHE-45 Nat.	4	45
411-400-125	Complete Jacket, AHE-60 Nat.	4	60
411-400-160	9-13" Wall, Vent mounting assembly includes all vent parts, Vent direction: Rear	4	9-13
411-400-175	13-24" Wall, Vent mounting assembly includes all vent parts, Vent Direction: Rear	4	13-24
411-400-150	9-13" Wall, Vent mounting assembly includes all vent parts, Vent direction: Side	4	9-13
411-400-170	13-24" Wall, Vent mounting assembly includes all vent parts, Vent Direction: Side	4	13-24



## LGB Series 1 Water Trim

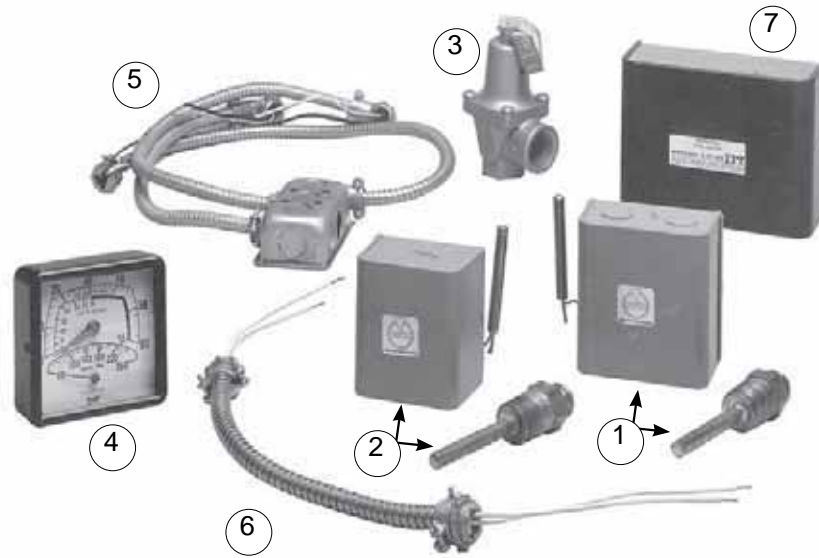


Fig. No.	Part No.	Description	Mfr.	Mfr.'s Part No.	Boiler Size
1	510-312-065	Combination Operating and High Limit Control, DPST, Automatic Recycle, with 3/4" N.P.T. Control Well. OPERATING LIMIT: 100 - 220° Range with 10-35°F Adjustable Subtractive Differential. HIGH LIMIT: 140-240°F Range with 10°F Fixed Subtractive Differential.	Honeywell	L4081A1189	6 - 20
			White-Rodgers	11C30-3	
2	510-312-209	High Limit Temperature Control, SPST Automatic Recycle, 140-240°F Range, 10°F Fixed Subtractive Differential with 3/4" N.P.T. Control Well (Separate Controls used for Operating and High Limit Function for LGB-21 through LGB-23 Boilers)	Honeywell	L4080B1311	21 - 23
			White-Rodgers	11B83-16	
3	511-546-924	ASME Pressure Relief Valve, Set to Relieve at 30 PSIG, 3/4" N.P.T. Male Inlet x 3/4" N.P.T. Female Outlet; Side Outlet Type	Conbraco	10-408-05	4 - 5
			Watts	335	4 - 5
	511-546-925	ASME Pressure Relief Valve, Set to Relieve at 30 PSIG, 3/4" N.P.T. Male Inlet x 1" N.P.T. Female Outlet; Side Outlet Type	Watts	740	6 - 9
	511-546-930	ASME Pressure Relief Valve, Set to Relieve at 30 PSIG, 1" N.P.T. Male Inlet x 1-1/4" N.P.T. Female Outlet; Side Outlet Type	Watts	740	10 - 13
	511-546-935	ASME Pressure Relief Valve, Set to Relieve at 30 PSIG, 1-1/4" N.P.T. Male Inlet x 1-1/2" N.P.T. Female Outlet; Side Outlet Type	Watts	740	14 - 20
	511-546-940	ASME Pressure Relief Valve, Set to Relieve at 30 PSIG, 1 1/2" N.P.T. Male Inlet x 2" N.P.T. Female Outlet; Side Outlet Type	Watts	740	21 - 23
4	510-218-065	Combination Pressure-Temperature Gauge, 0-50 PSIG, 60-260°F Back Connection, 1/2" N.P.T.	ENF	#4104-3.25	All Sizes
			Ametek	PTA1088	
			Marshalltown	13HJ	
5	591-319-793	Temperature Control Wiring Harness	Weil-McLain		21 - 23
6	591-319-801	Water Trim Wiring Harness			6-23
7	511-114-528	Electrode Type Low Water Cut-Off, 120 Volt, SPDT, Automatic Recycle, 160 PSIG Rated, 1/2" N.P.T. Male Electrode	McDonnell-Miller	PS-851-120	All Sizes

## LGB Series 1 Steam Trim

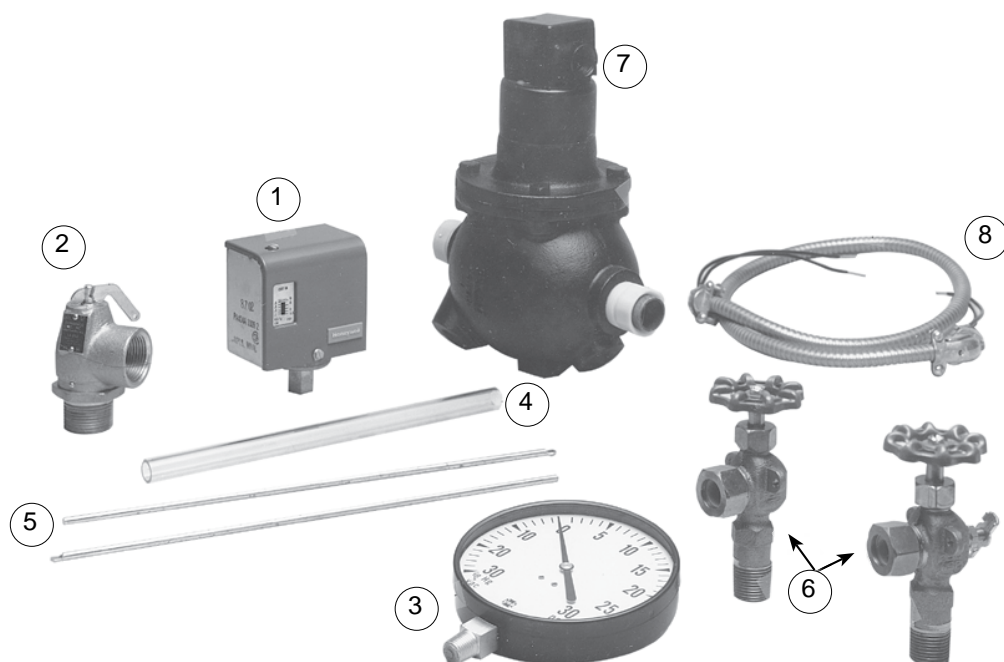


Fig. No.	Part No.	Description	Mfr.	Mfr.'s Part No.	LGB Boiler Size
1	510-312-135	High Limit Steam Pressure Control, SPST, Automatic Recycle, 0-9 PSIG Rang, 0-5 PSIG Adjustable Additive Differential, Bottom Connection, 1/4" N.P.T. Male	Honeywell	PA404A1009	All Sizes
2	511-548-046	ASME Steam Safety Relief Valve, Set to Relieve at 15 PSIG, Side Outlet, 1" N.P.T. Male Inlet x 1" N.P.T. Female Outlet, 643 lbs/Hr Capacity	Conbraco	13-202-08	6 - 7
2	511-548-051	ASME Steam Safety Relief Valve, Set to Relieve at 15 PSIG, Side Outlet, 1 1/2" N.P.T. Male Inlet x 1 1/2" N.P.T. Female Outlet, 1200 lbs/Hr Capacity	Conbraco	13-213-08	8 - 12
2	511-548-052	ASME Steam Safety Relief Valve, Set to Relieve at 15 PSIG, Side Outlet, 1 1/2" N.P.T. Male Inlet x 2" N.P.T. Female Outlet, 1900 lbs/Hr Capacity	Conbraco	13-214-08	13 - 19
2	511-548-056	ASME Steam Safety Relief Valve, Set to Relieve at 15 PSIG, Side Outlet, 2" N.P.T. Male Inlet x 2" N.P.T. Female Outlet, 2500 lbs/Hr Capacity	Conbraco	12-205-08	20 - 23
3	510-218-100	Combination Pressure-Vacuum Gauge, 0-30PSIG, 0-30" Hg., 4 1/2" Dial, Bottom Connection, 1/4" N.P.T. Spec 04459	Ametek	USC500-5549	All Sizes
4	383-600-002	Water Gauge Glass Kit, 5/8" x 10 5/8" with gaskets and brass washers	Weil-McLain		All Sizes
5	563-334-595	Water Gauge Glass Guard, 3/16" Dia. X 12 1/2" Long (2 per Gauge Glass)	Weil-McLain		All Sizes
6	510-218-145	Water Gauge Glass Cocks, Set 1/2" N.P.T. Male Inlet	Conbraco	21-205-03W	All Sizes
7	511-114-474	Float Type Low Water Cut-Off, SPCT, Automatic Recycle, 14 PSIG Rated, 1" N.P.T.	McDonnell-Miller	61	All Sizes
8	591-319-800	Steam Trim Wiring Harness	Weil-McLain		All Sizes

## LGB Series 1 Main Gas Train Control Components Natural Gas



**Table 1 – LGB Main Gas Control Trains Arrangement**

LGB Series 1 Boiler Size	Main Gas Control Trains		LGB Series 1 Boiler Size	Main Gas Control Trains	
	7.0" W.C. Natural Gas Supply Pressure	5.0" W.C. Natural Gas Supply Pressure		7.0" W.C. Natural Gas Supply Pressure	5.0" W.C. Natural Gas Supply Pressure
LGB-6	AB	AB	LGB-15	J	J
LGB-7	AB	AB	LGB-16	J	J
LGB-8	CD	CD	LGB-17	J	J
LGB-9	CD	CD	LGB-18	K	K
LGB-10	EFG	E	LGB-19	L	M
LGB-11	EFG	FG	LGB-20	L	N
LGB-12	EFG	FG	LGB-21	*L	*O
LGB-13	H	H	LGB-22	*L	*O
LGB-14	I	I	LGB-23	*L	*O

*\*With Special Control Carton ( Includes Gas Pressure Switch, Switch Bracket, Connecting Tubing)*

**Table 2 – LGB Main Gas Control Trains Individual Components**

Fig. No.		MAIN GAS CONTROL TRAINS																			
		7" W.C. Natural Gas Supply Pressure									5" W.C. NATURAL Gas Supply Pressure										
		AB	C	D	E	F	H	I	J	K	L	AB	CD	E	F	H	I	J	K	M	N
1	Manual Main Shut-Off Gas valve, 1" N.P.T.	X	X			X	X	X	X												
	Manual Main Shut-Off Gas valve, 1 1/4" N.P.T.				X				X	X	X	X			X	X	X	X			
	Manual Main Shut-Off Gas valve, 1 1/2" N.P.T.												X					X	X	X	
	Manual Main Shut-Off Gas valve, 2" N.P.T.													X						X	X
2	Safety Gas Valve 1" N.P.T.	X	X			X	X	X	X												
	Safety Gas Valve 1 1/4" N.P.T.				X					X	X	X			X	X	X	X			
	Safety Gas Valve 1 1/2" N.P.T.												X	X				X	X	X	X
3	Combination Gas Control Valve, 1" N.P.T.	X	X			X	X	X	X												
	Combination Gas Control Valve, 1 1/4" N.P.T.				X					X	X	X			X	X	X	X			
	Combination Gas Control Valve, 1 1/2" N.P.T.													X	X				X	X	X

## LGB Series 1 Main Gas Train Control Components Natural Gas

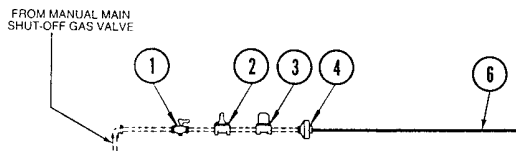


Fig. No.	Part No.	Description	Mfr.	Mfr.'s Part No.
1	511-246-325	Manual-Main Shut-Off Gas Valve, 1" N.P.T., with Downstream Pressure Tapping, 1/8" N.P.T.	Conbraco Key	50-403-02 223-142111
	511-246-330	Manual-Main Shut-Off Gas Valve, 1 1/4" N.P.T., with Downstream Pressure Tapping, 1/8" N.P.T.	Conbraco Key	50-503-06 224-142111
	511-246-300	Manual-Main Shut-Off Gas Valve, 1 1/2" N.P.T., with Downstream Pressure Tapping, 1/8" N.P.T.	Conbraco	50-603-06
	511-246-305	Manual-Main Shut-Off Gas Valve, 2" N.P.T., with Downstream Pressure Tapping, 1/8" N.P.T.	Conbraco	50-703-02
2	383-300-425	Gas Valve Conversion kit, 1" N.P.T., 24 Volt, with 1/8" N.P.T. and 1/8" N.P.T. Downstream Pressure Tapping	Honeywell	V8943A1103
	383-300-426	Gas Valve Conversion kit, 1 1/4" N.P.T., 24 Volt, with 1/8" N.P.T. and 1/8" N.P.T. Downstream Pressure Tapping	Honeywell	V8943A1111
	383-300-427	Gas Valve Conversion kit, 1 1/2" N.P.T., 24 Volt, with 1/8" N.P.T. and 1/8" N.P.T. Downstream Pressure Tapping	Honeywell	V8943A1129
3	511-044-214	Combination Gas Control Valve, 1" N.P.T., 24 Volt, with low Fire Operator, High Fire Operator, Main Pressure Regulator and 1/8" N.P.T. Downstream Pressure Tapping	Honeywell	V8944N1053
	511-044-215	Combination Gas Control Valve, 1 1/4" N.P.T., 24 Volt, with low Fire Operator, High Fire Operator, Main Pressure Regulator and 1/8" N.P.T. Downstream Pressure Tapping	Honeywell	V8944N1061
	511-044-216	Combination Gas Control Valve, 1 1/2" N.P.T., 24 Volt, with low Fire Operator, High Fire Operator, Main Pressure Regulator and 1/8" N.P.T. Downstream Pressure Tapping	Honeywell	V8944N1079

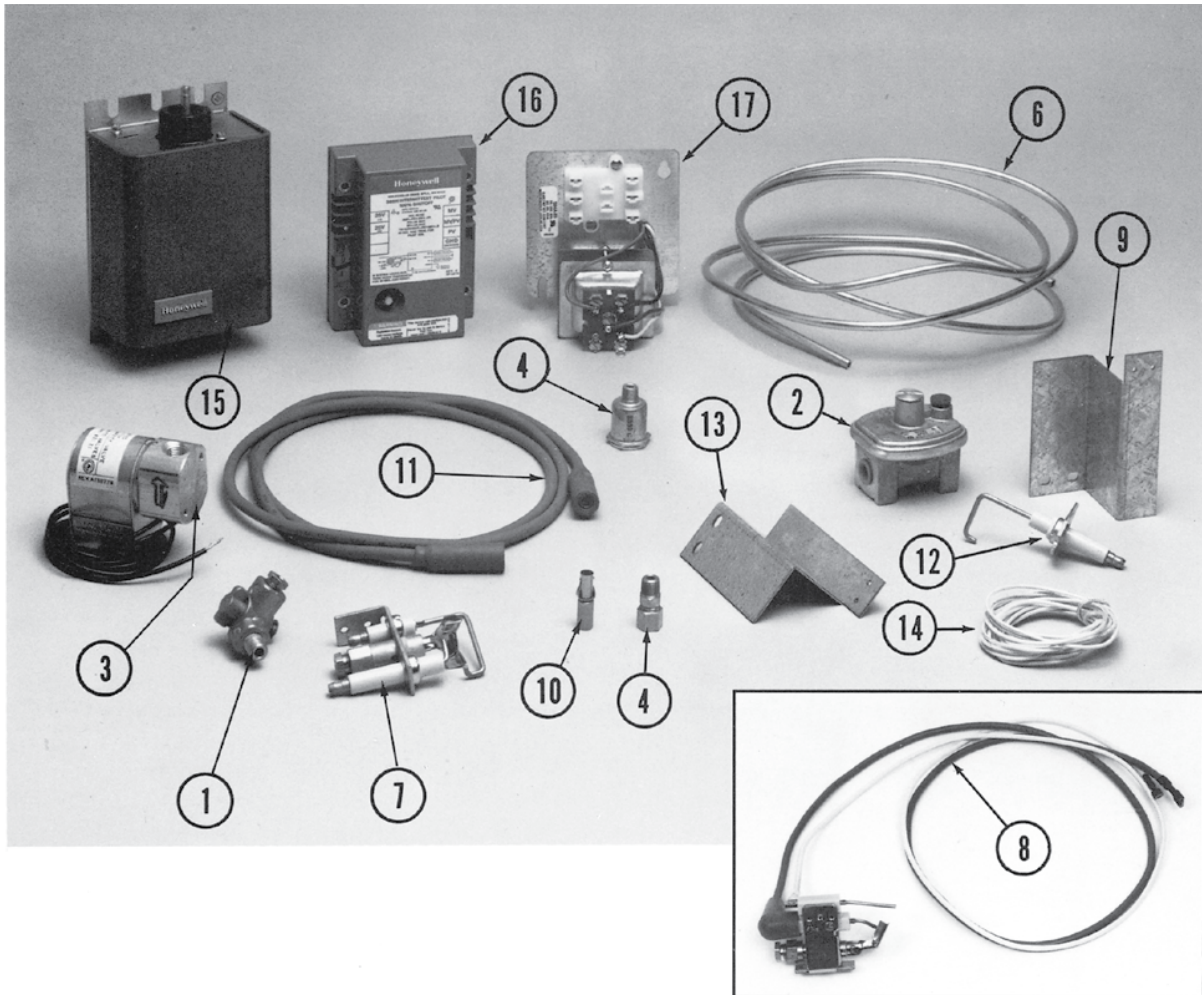
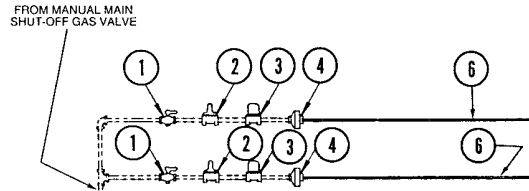
# NOTES

## LGB Series 1 Universal Control System IRI and FM Pilot Gas Control Train- Natural Gas Flame Sensing Components List

**IRA AND FM  
PILOT TRAIN GAS PIPING DIAGRAM  
LGB-6 THROUGH LGB-12 BOILERS**



**IRA AND FM  
PILOT TRAIN GAS PIPING DIAGRAM  
LGB-13 THROUGH LGB-23 BOILERS**



**LGB Series 1 Universal Control System  
IRI and FM Pilot Gas Control Train- Natural Gas  
Flame Sensing Components List**

Fig. No.	Part No.	Description	Mfr.	Mfr.'s Part No.	Qty Per Boiler Size	
					6-12	13-23
<b>IRI AND FM PILOT LINE GAS TRAIN COMPONENTS</b>						
1	511-246-345	Pilot Line Manual Shut-Off Gas Valve, 1/4" N.P.T. Male x 1/4" N.P.T. Female	Conbraco	53-300-01	1	2
2	510-933-195	Pilot Line Gas Pressure Regulating Valve, 3.5-7.0" W.C. Outlet Adjustment Range, 1/4" N.P.T.	Maxitrol	RV20VL-22	1	2
3	511-044-040	Pilot Line Solenoid Gas Valve, Quick Opening, 120 Volt, 1/4" N.P.T.	Johnson	H91ABA-12C	1	2
6	560-742-915	Pilot Line Aluminum Tubing, 1/4" O.D. x 100" Coil	Weil-McLain		1	2
<b>IRI AND FM PILOTS, FLAME SENSING AND IGNITION COMPONENTS</b>						
7	511-330-181	Combination Pilot Burner with Fame Rod, Ignition Electrode, and Natural Gas Orifice, 0.026" Dia.	Honeywell	Q179C1009	1	1
8	511-330-221	NG PIN Pilot Burner Assembly with pilot burner, orifice, sensing lead and ignition cable	PSE	NA-16	1	1
9	460-005-624	Combination Pilot Burner Mounting Bracket	Weil-McLain		1	2
10	591-850-140	Rajah Connector, Female, Connects Sensing Cable to Q179C Pilot	Weil-McLain		1	1
11	591-391-798	Ignition Cable, 36" Long, for Q179C Pilot	Weil-McLain		1	1
12	511-724-274	Main Fame Sensor	Honeywell	MH 392956	1	1
13	423-300-420	Main Fame Sensor Mounting Bracket	Weil-McLain		1	1
14	590-849-236	Fame Rod Cable for Main Fame Sensor and Q179C Pilot (Fet Required)	Honeywell	R129 8020	4'	4'
15	511-802-014	Solid State Ignition Spark Generator, 120 Volt/15,000 Volt, 66VA Primary	Honeywell	Q624 A1014	1	1
16	511-330-097	Pilot Proving Ignition/Sensing Control Module, 24 Volt, Q348A Pilot	Honeywell	S8620 C1003	-	1
			United Technologies	1003-511	-	1
17	510-312-166	Control Transformer/Relay Receptacle 120/24 Volt, 40 VA, Plate Mounted, for Universal Control System (UCS) Ignition Sensing Control	Honeywell	AT72 H1002	-	1
			White-Rodgers	599-9002	-	1

## LGB Series 1

### IRI and FM Main Gas Control Train Components For 5.5" W.C. Natural Gas Supply Pressure

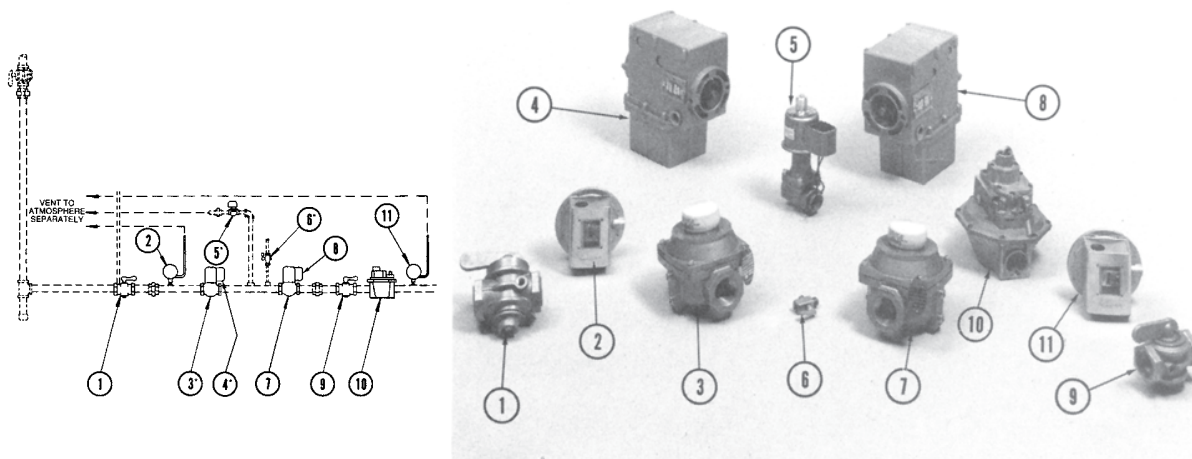


Fig. No.	Part No.	Description	Mfr.	Mfr.'s Part No.	Boiler Size
1,9	511-246-330	Manual Main Shut-Off Gas Valve, 1 1/4" N.P.T., with 1/8" N.P.T. Female Pilot Take-Off Tapping and 1/4" N.P.T. Female Downstream Pressure Tapping, Lubricated Type	Conbraco	50-503-06	5,6,7
			Key	224-142111	
1,9	511-246-300	Manual Main Shut-Off Gas Valve, 1 1/2" N.P.T., with 1/8" N.P.T. Female Pilot Take-Off Tapping and 1/4" N.P.T. Female Downstream Pressure Tapping, Lubricated Type	Conbraco	50-603-06	8
1,9	511-246-305	Manual Main Shut-Off Gas Valve, 2" N.P.T., with 1/8" N.P.T. Female Pilot Take-Off Tapping and 1/4" N.P.T. Female Downstream Pressure Tapping, Lubricated Type	Conbraco	50-703-06	9 - 17
1,9	511-246-310	Manual Main Shut-Off Gas Valve, 2 1/2" N.P.T., with 1/4" N.P.T. Female Pilot Take-Off Tapping and 1/4" N.P.T. Female Downstream Pressure Tapping, Lubricated Type	Conbraco	50-803-02	18 - 20
1,9	511-210-431	Manual Main Shut-Off Gas Valve, 3" N.P.T., with 1/4" N.P.T. Female Pilot Take-Off Tapping and 1/4" N.P.T. Female Downstream Pressure Tapping, Lubricated Type	Weil-McLain	R-1430	21-23
2	511-624-550	Low Gas Pressure Switch, SPDT, Manual Reset, Lockout on Pressure Fill, Diaphragm Type, 3.0-21.0" W.C. Range, 1.0-3.0" W.C. Differential, 1/4" N.P.T. Female Connector, 1/8" N.P.T. Female Vent Connector, with Switch Position Indicator	Honeywell	C645A1030	All Sizes
3,7	510-744-315	Motorized Gas Valve Small Body, with 1/4" N.P.T. Female Downstream Pressure Tapping	Honeywell	V5097 A1004	5 - 17
NS	511-044-171	1 1/4" Pipe flange adapter for Gas Valve Body	Honeywell	32000 109-003	5,6,7
NS	511-044-172	1 1/2" Pipe flange adapter for Gas Valve Body	Honeywell	32000 109-004	8



**LGB Series 1**  
**IRI and FM Main Gas Control Train Components**  
**For 5.5" W.C. Natural Gas Supply Pressure**

NS	511-044-173	2" Pipe flange adapter for Gas Valve Body	Honeywell	32000 109-005	9 - 17
3,7	510-744- 316	Motorized Gas Valve Large Body, with 1/4" N.P.T. Female Downstream Pressure Tapping	Honeywell	V5097 A1012	18 - 23
NS	511-044-174	2 1/2" Pipe flange adapter for Gas Valve Body	Honeywell	32001 605-002	18 - 20
NS	511-044-175	3" Pipe flange adapter for Gas Valve Body	Honeywell	32001 605-003	21 - 23
4,8	510-744- 317	Fluid Power Gas Valve Actuator, On/Off, 120 volt	Honeywell	V4055 A1098	5 - 23
NS*	511-044-176	Adapter for Solenoid Vent Valve (fits small valve body)	Honeywell	32002513	5 - 17
NS*	511-044-177	Adapter for Solenoid Vent Valve (fits large valve body)	Honeywell	32002512	18 - 23
5*	511-046-340	Solenoid Vent Valve, Normally Open, Quick Closing, 120 Volt, 3/4" N.P.T.	ASCO	S262SA02 N3EG5	5 - 8
			Honeywell	V4295 S1005	
5*	511-046-342	Solenoid Vent Valve, Normally Open, Quick Closing, 120 Volt, 1" N.P.T.	ASCO	S262SA02 N3F5	9 - 17
			Honeywell	V4295 S1013	
5*	511-046-344	Solenoid Vent Valve, Normally Open, Quick Closing, 120 Volt , 1 1/4" N.P.T.	ASCO	S262SA02 N3GJ7	18 - 23
			Honeywell	V4295 S1021	
6	511-210-415	Test Cock, 1/4" N.P.T.	Conbraco	41-560-05	All Sizes
10	511-048-502	Combination Gas Control Valve, 1 1/4" N.P.T., 120 Volt, with Low Fire Operator, High Fire Operator, and Main Pressure Regulator, 1/8" N.P.T. Downstream Pressure Tapping	Honeywell	V4944 N1029	5 - 7
10	511-048-501	Combination Gas Control Valve, 1 1/2 " N.P.T., 120 Volt, with Low Fire Operator, High Fire Operator, and Main Pressure Regulator, 1/8" N.P.T. Downstream Pressure Tapping	Honeywell	V4944 N1037	8
10	511-048-500	Combination Gas Control Valve, 2" N.P.T., 120 Volt, with Low Fire Operator, High Fire Operator, and Main Pressure Regulator, 1/8" N.P.T. Downstream Pressure Tapping	Honeywell	V4944 N1045	9 - 23
11	511-624-555	High Gas Pressure Switch, SPDT, Manual Reset, Lockout on Pressure Rise, Diaphragm Type, 3.0-21.0" W.C. Range, 1.0-3.0" W.C. Differential, 1/4" N.P.T. Female Connector, 1/8" N.P.T. Female Vent Connector, with Switch Position Indicator	Honeywell	C645B1013	All Sizes

## LGB Series 1

### IRI and FM Main Gas Control Train Components For 7.0" W.C. Natural Gas Supply Pressure

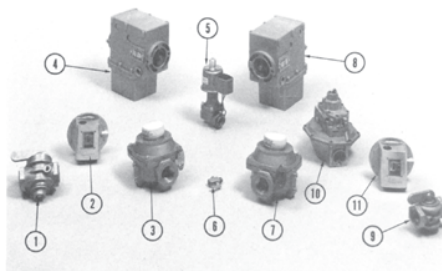
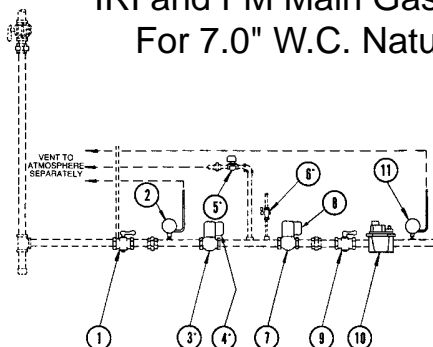


Fig. No.	Part No.	Description	Mfr.	Mfr.'s Part No.	Boiler Size
1,9	511-246-325	Manual Main Shut-Off Gas Valve, 1" N.P.T., with 1/8" N.P.T. Female Pilot Take-Off Tapping and 1/4" N.P.T. Female Downstream Pressure Tapping, Lubricated Type	Conbraco	50-503-02	5,6,7
1,9	511-246-330	Manual Main Shut-Off Gas Valve, 1 1/4" N.P.T., with 1/8" N.P.T. Female Pilot Take-Off Tapping and 1/4" N.P.T. Female Downstream Pressure Tapping, Lubricated Type	Conbraco	50-503-06	8,9,10
			Key	224-142111	
1,9	511-246-300	Manual Main Shut-Off Gas Valve, 1 1/2" N.P.T., with 1/8" N.P.T. Female Pilot Take-Off Tapping and 1/4" N.P.T. Female Downstream Pressure Tapping, Lubricated Type	Conbraco	50-603-06	11-18
1,9	511-246-305	Manual Main Shut-Off Gas Valve, 2" N.P.T., with 1/8" N.P.T. Female Pilot Take-Off Tapping and 1/4" N.P.T. Female Downstream Pressure Tapping, Lubricated Type	Conbraco	50-703-06	19-23
2	511-624-550	Low Gas Pressure Switch, SPDT, Manual Reset, Lockout on Pressure Fill, Diaphragm Type, 3.0-21.0" W.C. Range, 1.0-3.0" W.C. Differential, 1/4" N.P.T. Female Connector, 1/8" N.P.T. Female Vent Connector, with Switch Position Indicator	Honeywell	C645A1030	All Sizes
3,7	510-744-315	Motorized Gas Valve Small Body, with 1/4" N.P.T. Female Downstream Pressure Tapping	Honeywell	V5097A1004	5 - 17
NS	511-044-170	1" Pipe flange adapter for Gas Valve Body	Honeywell	32000109-002	5,6,7
NS	511-044-171	1 1/4" Pipe flange adapter for Gas Valve Body	Honeywell	32000109-003	8,9,10
NS	511-044-172	1 1/2" Pipe flange adapter for Gas Valve Body	Honeywell	32000109-004	11-18
NS	511-044-173	2" Pipe flange adapter for Gas Valve Body	Honeywell	32000109-005	19-23
4,8	510-744-317	Fluid Power Gas Valve Actuator, On Off, 120 volt	Honeywell	V4055A1098	5 -23
NS*	511-044-176	Adapter for Solenoid Vent Valve (fits small valve body)	Honeywell	32002513	All sizes
5*	511-046-340	Solenoid Vent Valve, Normally Open, Quick Closing, 120 Volt, 3/4" N.P.T.	ASCO	S262SA02 N3EG5	5 - 13
			Honeywell	V4295S1005	
5*	511-046-342	Solenoid Vent Valve, Normally Open, Quick Closing, 120 Volt, 1" N.P.T.	ASCO	S262SA02N3F5	14-23
			Honeywell	V4295S1013	
			Honeywell	V4295S1021	
6	511-210-415	Test Cock, 1/4" N.P.T.	Conbraco	41-560-05	All Sizes
10	511-048-503	Combination Gas Control Valve, 1" N.P.T., 120 Volt, with Low Fire Operator, High Fire Operator, and Main Pressure Regulator, 1/8" N.P.T. Downstream Pressure Tapping	Honeywell	V4944N1011	5,6,7

**LGB Series 1**  
**IRI and FM Main Gas Control Train Components**  
**For 7.0" W.C. Natural Gas Supply Pressure**

10	511-048-502	Combination Gas Control Valve, 1 1/4" N.P.T., 120 Volt, with Low Fire Operator, High Fire Operator, and Main Pressure Regulator, 1/8" N.P.T. Downstream Pressure Tapping	Honeywell	V4944N1029	8 -10
10	511-048-501	Combination Gas Control Valve, 1 1/2 " N.P.T., 120 Volt, with Low Fire Operator, High Fire Operator, and Main Pressure Regulator, 1/8" N.P.T. Downstream Pressure Tapping	Honeywell	V4944N1037	11-13
10	511-048-500	Combination Gas Control Valve, 2" N.P.T., 120 Volt, with Low Fire Operator, High Fire Operator, and Main Pressure Regulator, 1/8" N.P.T. Downstream Pressure Tapping	Honeywell	V4944N1045	14-23
11	511-624-555	High Gas Pressure Switch, SPDT, Manual Reset, Lockout on Pressure Rise, Diaphragm Type, 3.0- 21.0" W.C. Range, 1.0-3.0" W.C. Differential, 1/4" N.P.T. Female Connector, 1/8" N.P.T. Female Vent Connector, with Switch Position Indicator	Honeywell	C645B1013	All Sizes

**LGB Series 1**  
**IRI and FM Main Gas Control Train Components**  
**For 7.0" W.C. Natural Gas Supply Pressure**

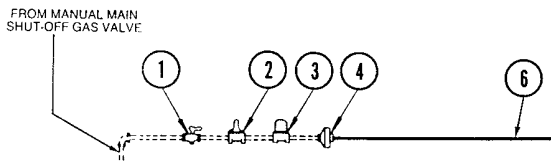
Fig. No.	Part No.	Description	Mfr.	Mfr.'s Part No.	Boiler Size
3,7		Hydromotor Gas Valve Body, with Parabolic Guide 1 1/4" N.P.T. Rated for Closure Against 5.0 PSIG inlet pressure, 1/4" N.P.T. Female Downstream Pressure Tapping	ASCO	V710GASV	8
3,7	510-744-332	Hydramotor Gas Valve Body, with Parabolic Guide 1 1/2" N.P.T., Rated for Closure Against 5.0 PSIG Inlet Pressure, 1/4" N.P.T. Female Downstream Pressure Tapping	ASCO	V710HASV	11-13
3,7	510-744-334	Hydramotor Gas Valve Body, with Parabolic Guide, 2" N.P.T., Rated for Closure Against 5.0 PSIG Inlet Pressure, 1/4" N.P.T. Female Downstream Pressure Tapping	ASCO	V710JASV	14-23
4,8		Hydramotor Gas Valve Actuator, 120 Volt, 13 Sec. Opening Time, On/Off	ASCO	AH2B112A10	All Sizes
4,8		Hydramotor Gas Valve Actuator, 120 Volt, Low/High/Off	ASCO	AH4B112A4	All Sizes
5	511-046-340	Solenoid Vent Valve, Normally Open, Quick Closing, 120 Volt, 3/4" N.P.T.	ASCO	S262SA02N-3RG5	6-13
5	511-046-342	Solenoid Vent Valve, Normally Open, Quick Closing, 120 Volt, 1" N.P.T.	ASCO	S262SA02N-3FJ5	14-23
6	511-210-415	Test Cock, 1/4" N.P.T.	Conbraco	41-560-05	All Sizes
10	511-048-503	Combination Gas Control Valve, 1" N.P.T., 120 Volt, with Low Fire Operator, High Fire Operator, and Main Pressure Regulator, 1/8" N.P.T. Downstream Pressure Tapping	Honeywell	V4944N1011	6-7
10	511-048-502	Combination Gas Control Valve, 1 1/4" N.P.T., 120 Volt, with Low Fire Operator, High Fire Operator, and Main Pressure Regulator, 1/8" N.P.T. Downstream Pressure Tapping	Honeywell	V4944N1029	8-10
10		Combination Gas Control Valve, 1 1/2" N.P.T., 120 Volt, with Low Fire Operator, High Fire Operator, and Main Pressure Regulator, 1/8" N.P.T. Downstream Pressure Tapping	Honeywell	V4944N1037	11-13
10	511-048-500	Combination Gas Control Valve, 2" N.P.T., 120 Volt, with Low Fire Operator, High Fire Operator, and Main Pressure Regulator, 1/8" N.P.T. Downstream Pressure Tapping	Honeywell	V4944N1045	14-23
8	511-624-555	High Gas Pressure Switch, SPDT, Manual Reset, Lockout on Pressure Rise, Diaphragm Type, 3.0-21.0" W.C. Range, 1.0-3.0" W.C. Differential, 1/4" N.P.T. Female Connector, 1/8" N.P.T. Female Vent Connector, with Switch Position Indicator	Honeywell	C645B1013	All Sizes
NS	510-933-197	Regulator 1"	Maxitrol	RV61	6-7
NS	510-933-199	Regulator 1 1/4"	Maxitrol	RV81	8-10
NS	510-933-201	Regulator 1 1/2"	Maxitrol	RV81	11-13
NS		Regulator 2"	Maxitrol	RV91	14-23

# NOTES

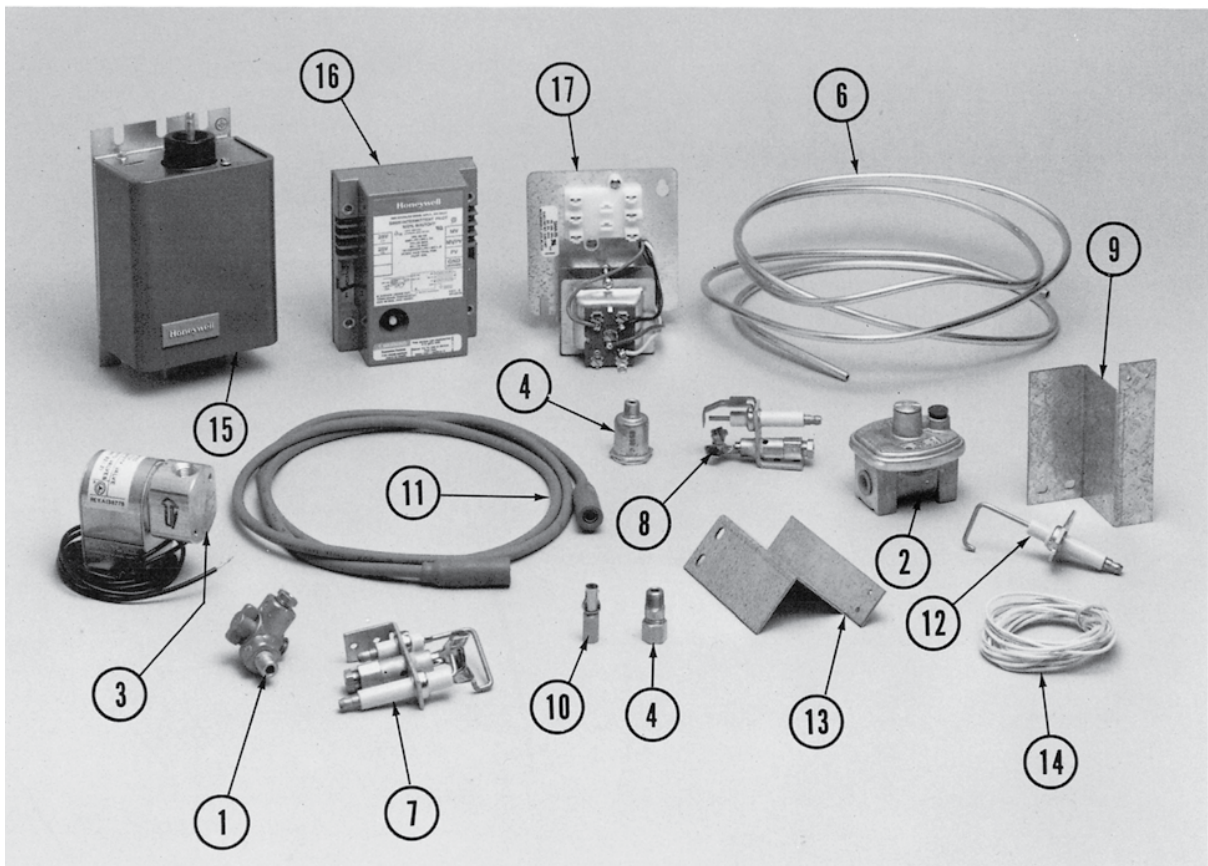
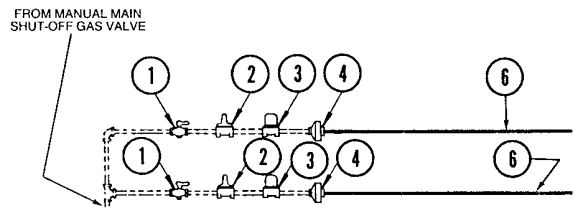
# LGB Series 1

## IRI and FM Pilot Gas Control Train and Flame Sensing Components Natural Gas

**IRA AND FM  
PILOT TRAIN GAS PIPING DIAGRAM  
LGB-6 THROUGH LGB-12 BOILERS**



**IRA AND FM  
PILOT TRAIN GAS PIPING DIAGRAM  
LGB-13 THROUGH LGB-23 BOILERS**



**LGB Series 1**  
**IRI and FM Pilot Gas Control Train and Flame Sensing Components**  
**Natural Gas**

Fig. No.	Part No.	Description	Mfr.	Mfr.'s Part No.	Qty Per Boiler Size	
					6-12	13-23
<b>IRI And FM Pilot Line Gas Train Components</b>						
1	511-246-345	Pilot Line Manual Shut-Off Gas Valve, 1/4" N.P.T. Male x 1/4" N.P.T. Female	Conbraco	53-300-01	1	2
2	510-933-195	Pilot Line Gas Pressure Regulating Valve, 3.5-7.0" W.C. Outlet Adjustment Range, 1/4" N.P.T.	Maxitrol	RV20VL-22	1	2
3	511-044-040	Pilot Line Solenoid Gas Valve, Quick Opening, 120 Volt, 1/4" N.P.T.	Johnson	H91ABA-12C	1	2
4	590-216-500	Pilot Line Gas Filter, 1/8" N.P.T. Male x 1/8" N.P.T. female (Includes adapter)			1	2
6	560-742-915	Pilot Line Aluminum Tubing, 1/4" O.D. x 100" Coil	Weil-McLain		1	2
<b>IRI And FM Pilots, Flame Sensing And Ignition Components</b>						
7	511-330-181	Combination Pilot Burner with Fame Rod, Ignition Electrode, and Natural Gas Orifice, 0.026" Dia.	Honeywell	Q179C1009	1	1
8	511-300-170	Combination Pilot Burner with Ignition Sensing Electrode, Natural Gas Orifice and Ignition Wire	Honeywell	Q348A1002		1
9	460-005-624	Combination Pilot Burner Mounting Bracket	Weil-McLain		1	2
10	591-850-140	Rajah Connector, Female, Connects Sensing Cable to Q179C Pilot	Weil-McLain		1	1
11	591-391-798	Ignition Cable, 36" Long, for Q179C Pilot	Weil-McLain		1	1
12	511-724-274	Main Fame Sensor	Honeywell	MH 392956	1	1
13	423-300-420	Main Fame Sensor Mounting Bracket	Weil-McLain		1	1
14	590-849-236	Flame Rod Cable for Main Fame Sensor and Q179C Pilot (Feet Required)	Honeywell	R129 8020	4'	4'
15	511-802-014	Solid State Ignition Spark Generator, 120 Volt/15,000 Volt, 66VA Primary	Honeywell	Q624 A1014	1	1
16	510-811-456	S86H Conversion to UCS Kit (Includes: control panel, 2 ignition/sensing control modules, pilot burner assembly, wiring harness and ignition cable)			-	1
17	510-312-166	Control Transformer/Relay Receptacle 120/24 Volt, 40 VA, Plate Mounted, for Universal Control System (UCS) Ignition Sensing Control	Honeywell	AT72 H1002	-	1
			White-Rodgers	599-9002	-	1

## LGB Series 1 Pilot and Flame Sensing Control For Universal Control System Natural Gas

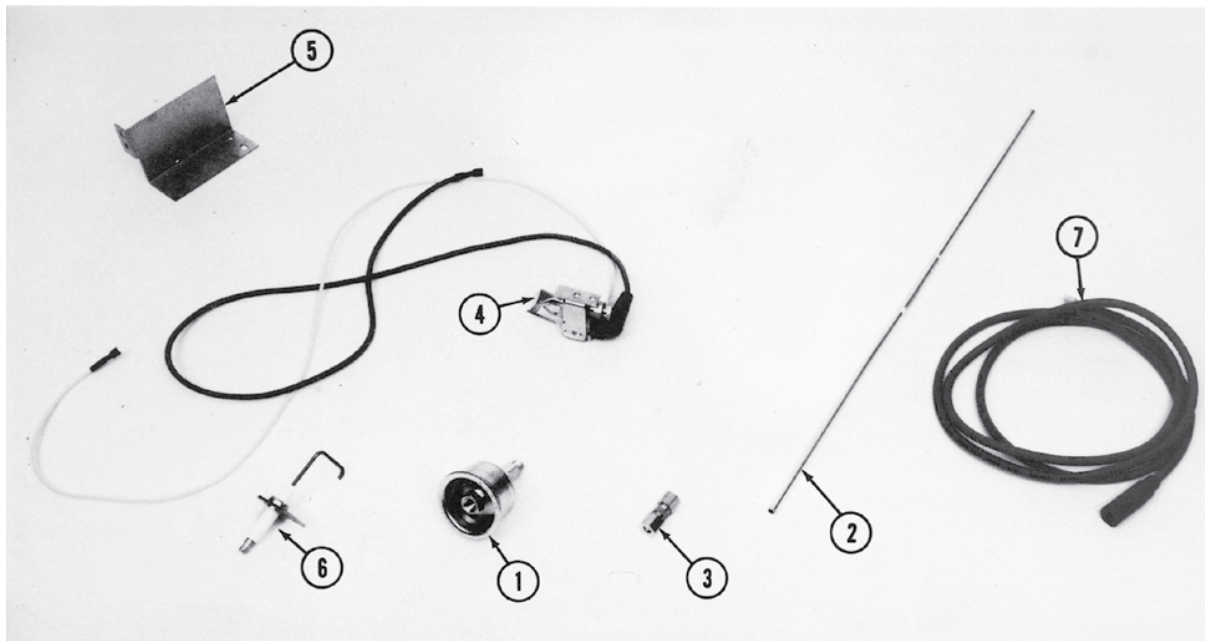


Fig. No.	Part No.	Description	Mfr.	Mfr.'s Part No.	6-12	13-23
1	590-216-500	Pilot Line Gas Filter Kit, 1/8" N.P.T. male x 1/8" N.P.T. female (Includes adapter)	Weil-McLain		1	2
2	560-742-880	Pilot Line Aluminum Tubing, 1/4" Dia. x 2-" Long			1	2
3	561-643-450	Pilot Line Union, 1/4" CC	Weil-McLain		1	2
4	511-330-221	NG PIN Pilot Burner Assembly with pilot burner, orifice, sensing lead and ignition cable	PSE	PSE-NA16	1	2
5	460-005-624	Combination Pilot Burner Mounting Bracket	Weil-McLain		1	2
6	511-724-274	Main Flame Sensor	Honeywell	MH 392956	1	2
7	591-391-790	Sensing Cable for Main Flame Sensor, 36" Long	Ristance	180749	1	2



**LGB Series 1**  
**Flame Guardian® WFG Electronic Control System**  
**Ignition/Sensing Control Module**  
**Natural Gas**

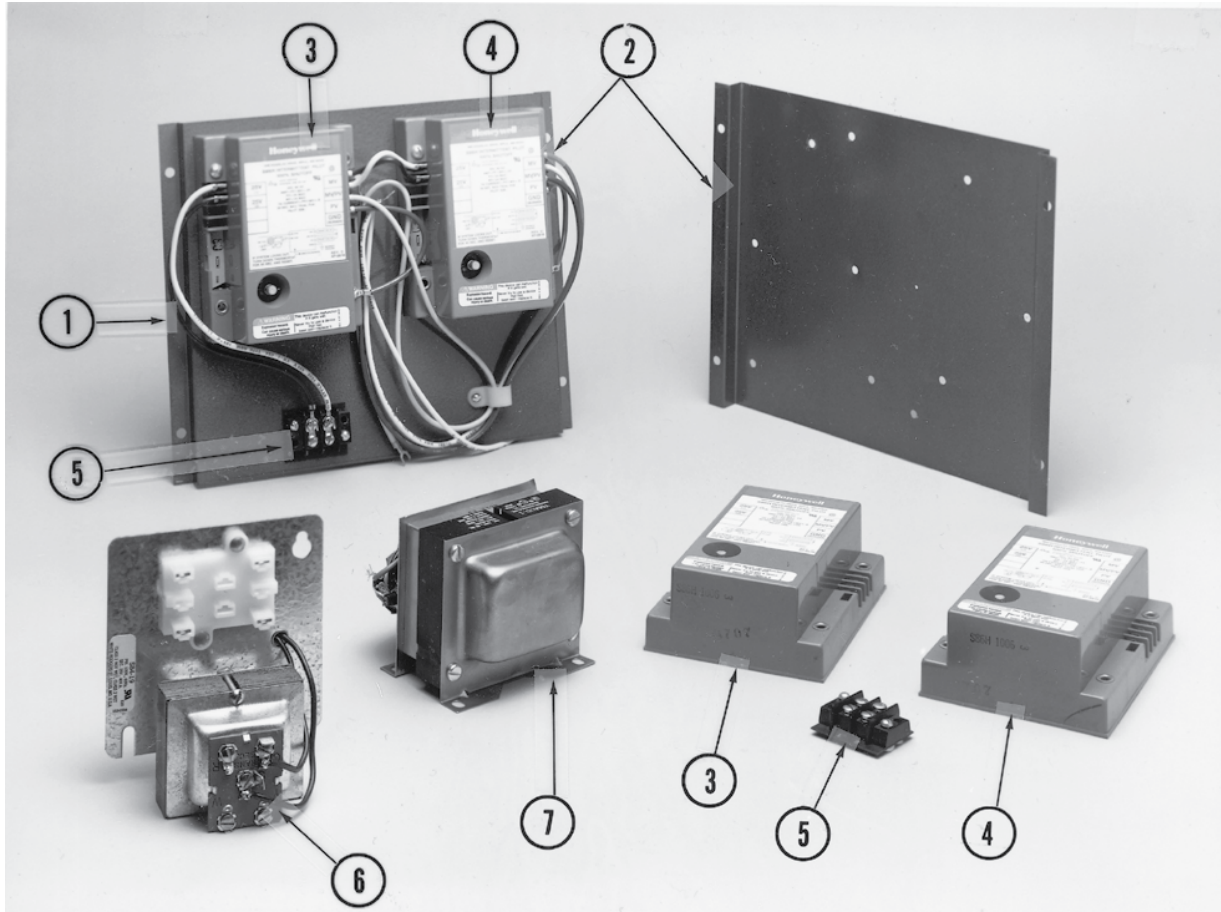


Fig. No.	Part No.	Description	Mfr.	Mfr.'s Part No.	Quantity/Boiler Base
1	510-811-456	Flame Guardian WFG Ignition/Sensing Control Module (Complete) Conversion Kit From Honeywell S86H to Universal Control System	Weil-McLain		1,2
2	450-003-593	Mounting System	Weil-McLain		1,2
3 & 4	511-330-097	Pilot Proving Ignition/Sensing Control Module, 24 Volt	Universal Technology	1003-511	1,2
5	512-050-013	Terminal Block	Weil-McLain		1,2
6	510-312-166	Combination Transformer-Relay Receptacle, 120/24 Volt, 40VA, Plate Mounted	White-Rodgers	599-9002	1
			Honeywell	AT72 H1002	1
7	511-842-364	Control Transformer, 120/24 Volt, 75 VA, Foot Mounted	Johnson Controls	Y66AUD-1C	1
			Honeywell	AT175C1004	1

LGB Series 1  
Gas Pressure Switch and Accessories  
Natural Gas

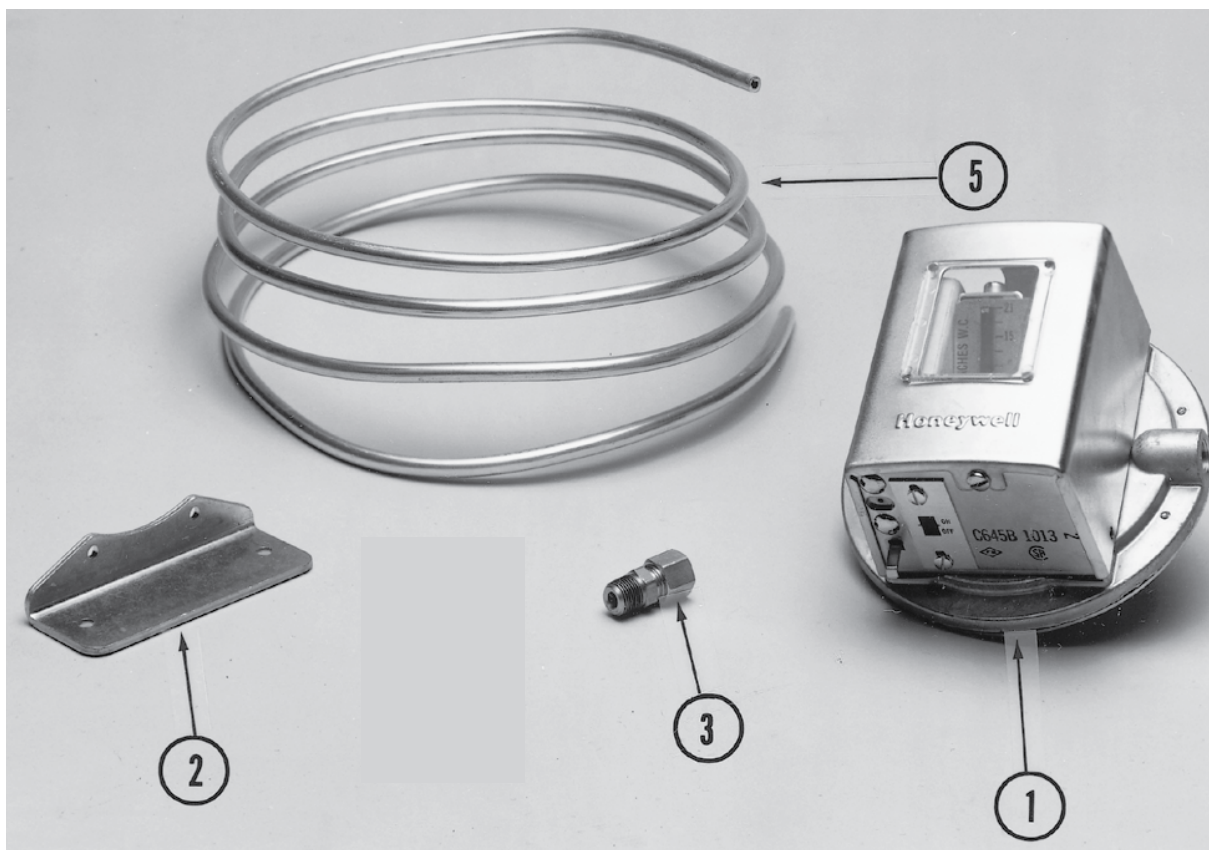
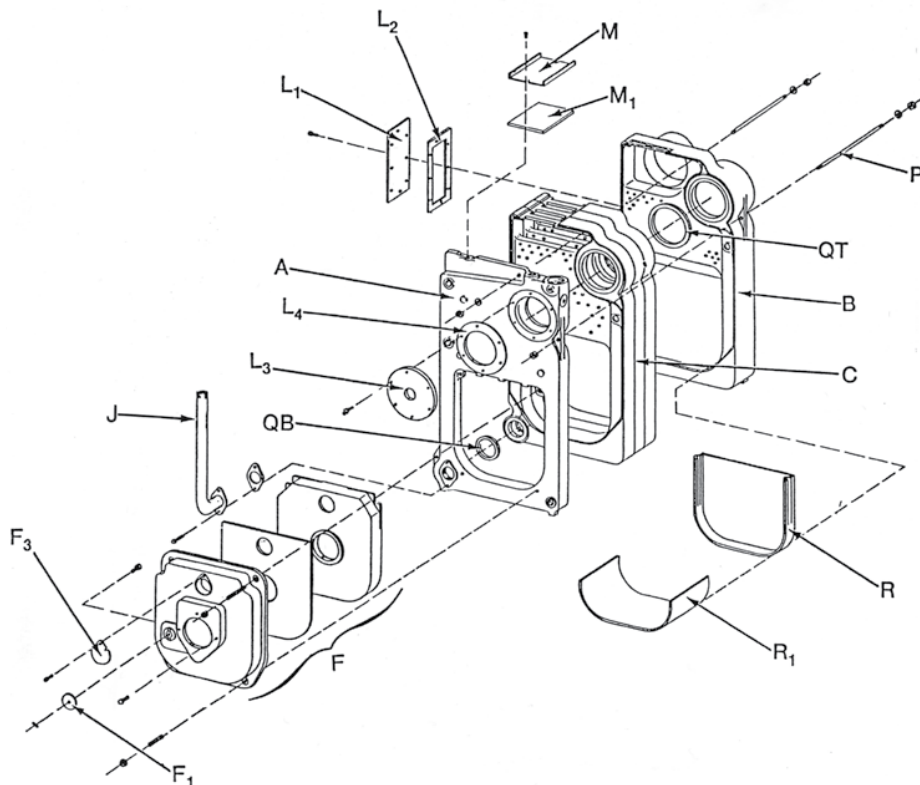
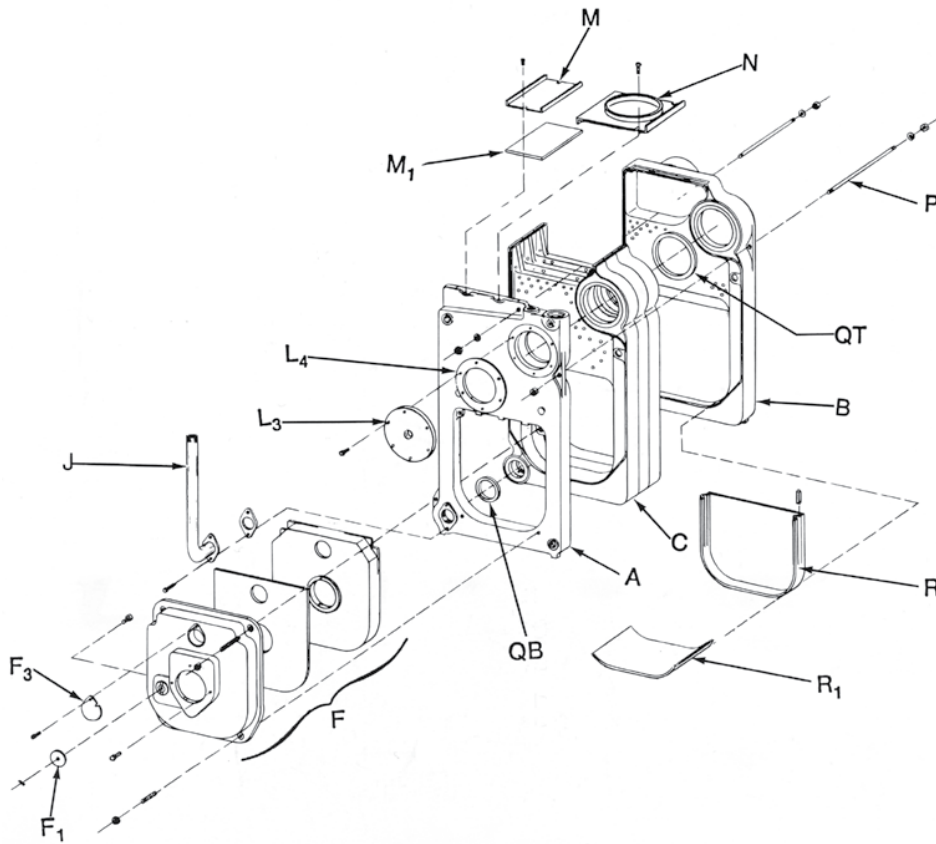


Fig. No.	Part No.	Description	Mfr.	Mfr.'s Part No.
1	511-624-555	High Gas Pressure Switch, SPDT, Manual Reset, Lockout on Pressure Rise, Diaphragm Type 3.0-21.0" W.C. Range, 1.0-3.0" W.C. Differential, 1/4" N.P.T. Female Vent Connector, with Switch Position Indicator (2 Required for LGB-21 through LGB-23)	Honeywell	C645B1013
2	511-624-556	Gas Pressure Switch Mounting Bracket Assembly for C645 (2 Required for LGB-21 through LGB-23)	Honeywell	15865AC
3	561-643-451	Union, 1/8" Male N.P.T. x 1/4" CC (4 Required for LGB-21 through LGB-23)	Weil-McLain	
5	560-742-915	Aluminum Tubing, 1/4" O.D. x 100" Roll	Weil-McLain	

# NOTES

P-68V, B-68V and A-68V and P-68, B-68 and A-68  
Section Assembly



P-68V, B-68V and A-68V  
P-68, B-68 and A-68  
Series 1

Fig. No.	Part No.	Description
F3	460-039-867	Observation Port Shutter
J	591-124-002	Return Pipe Manifold
	590-317-535	Gasket for Return Pipe Manifold
L1	450-030-934	Cover Plate for Heater Opening (rectangular)
L2	590-317-579	Gasket for Cover Plate (rectangular)
L3	592-243-217	Cover Plate for Heater Opening (round) (P-68-WT) (P-68V) 3/4" hole
	592-245-216	Cover Plate for Heater Opening (round) (A/68), P-68-S(T) (A & B-68V) 1 1/2" hole
L4	590-317-495	Gasket for Cover Plate (round)
NS	560-340-577	Tankless Stud and Nut, rectangle plate requires 8, round plate requires 6
R	386-500-085	Combustion Chamber Replacement Kit (Includes: insulation blanket, back refractory, front refractory, 4 oz. waterglass, installation instructions)
	591-000-061	Front Door Refractory
	591-221-054	Door Cerafelt (behind door hard refractory)
R	591-000-064	Back Refractory Blanket
R1	591-221-236	Refractory Blanket, apply using waterglass, fits all sizes of boiler
	591-632-612	Waterglass, 4 oz.
NS	590-735-122	1/4" rope for sections, 22.75" long (4 pieces required per joint)
NS	591-706-214	Flue Brush, 123DMG
M1	386-500-086	Cleanout Plate Gasket Kit, for all sizes of boiler
QB	592-800-010	3" Dia. Bottom Elastomer Seal (1 per joint)
QT	592-800-007	6" Dia. Top Elastomer Seal (1 per joint)

## 68/68V Water Trim



Fig. No.	Part No.	Description	Mfr.	Mfr.'s Part No.	Boiler Size
<b>Water Trim Components Common To All 68 And 68V Water Boilers</b>					
1	510-218-099	Combination Pressure-Temperature Gauge, 2 1/2" Dial, 0 – 60 P.S.I.G., 60-260°F Short Shank, Back Connection, 1/4" N.P.T.	Amekai	OS234-JDTW-002	All
1	510-218-097	Combination Pressure-Temperature Gauge, 2 1/2" Dial, 0 – 60 PSIG, 60-260°F Long Shank, Back Connection, 1/4" N.P.T.	Amekai	OS234-CDTW-001	All
2	511-546-924	ASME Pressure Relief Valve, Set to Relieve at 30 PSIG, 3/4" N.P.T. Female Inlet	Watts	335	All
			Conbraco	10-408-05	All
<b>Additional Water Trim Components For B-68 And B-68V Water Boilers</b>					
3	510-311-040	Combination High Limit, Low Limit Circulator Control & Relay HIGH LIMIT: 130° - 220°F with 10°F Fixed Subtractive Differential LOW LIMIT: 110° - 220°F with 10° - 35°F Fixed Subtractive Differential Full Load on Circulator Control Circuit, 7.4 Amps, Locked rotor 44.4 Amps. Supplies 24 Volts to Relay at .2 Amps. For use with Tankless Heater	Honeywell	L8124A-1155	All
	592-300-005	3/4" Well for 510-311-040 Limit			
4	510-311-030	High Temperature Limit Control and Relay, 180° - 220°F 15° Fixed Differential, Full Load 7.4 Amps at 120 Volts, 24V, without Tankless Heater	Honeywell	L8148A-1157	All
<b>Additional Water Trim Components For P-68 And P-68V Water Boilers</b>					
5	511-210-423	3/4" N.P.T. Drain Cock	Conbraco	31-606-01	All
6	511-405-115	Circulator, 1/12 H.P., 120/60/1 Motor, 1,750 R.P.M.	Bell & Gossett	100 Series	All

## 68/68V Water Trim

Fig. No.	Part No.	Description	Mfr.	Mfr.'s Part No.	Boiler Size
7	381-354-526	Circulator Hardware Kit, Includes 1 flange, 2 bolts, 2 nuts, Diamond gasket, 1 1/4" N.P.T.	Weil-McLain		All
8	590-317-543	Circulator Gasket for Taco Circulators (two required)	Taco	110-339	All
8	590-317-535	Circulator Gasket for Bell & Gossett Circulators (two required)	Weil-McLain		All
	590-921-904	Tankless Heater – water boiler (includes heater, gasket, nuts and studs)	Heat Transfer Products	E-624	368,468
	590-921-905	Tankless Heater – water boiler (includes heater, gasket, nuts and studs)	Heat Transfer Products	E-626	568,668
	590-921-901	Tankless Heater – water boiler (includes heater, gasket, nuts and studs)	Heat Transfer Products	E-632	768,868, 968
	560-340-577	Tankless heater nut and stud	Weil-McLain		

## 68/68V Steam Trim

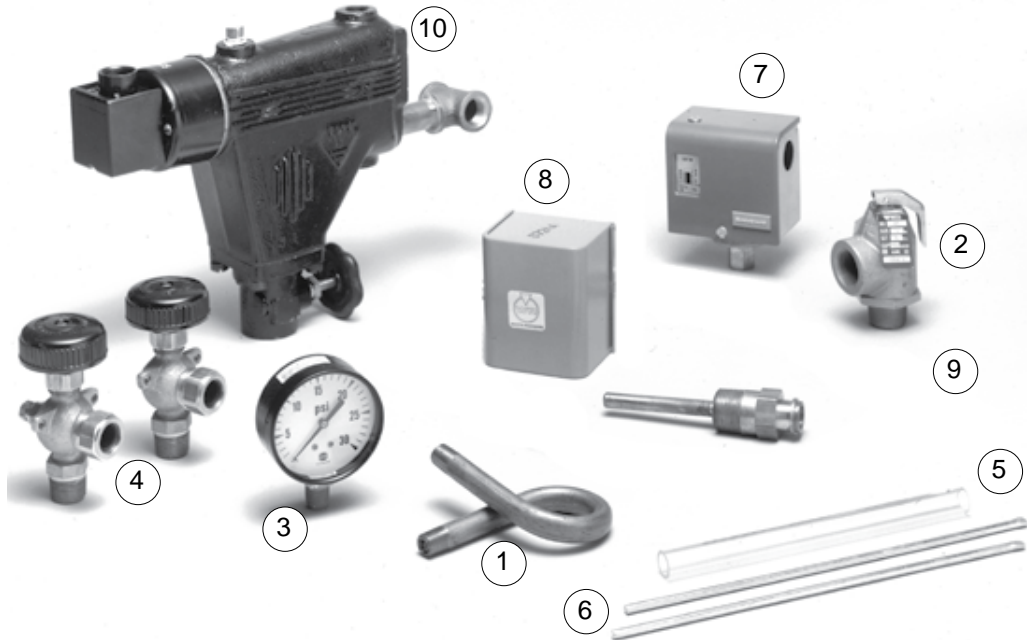


Fig. No.	Part No.	Description	Mfr.	Mfr.'s Part No.	Boiler Size
<b>Steam Trim Components Common To All 68 Steam Boilers</b>					
1	560-640-696	90° Syphon, ¼" Brass Pipe	Honeywell	L3239	ALL
2	511-548-023	ASME Steam Safety Valve, Set to Relieve at 15 PSIG, Side Outlet, ¾" N.P.T. Male Inlet, 446 lbs/hr Capacity	Conbraco Watts	13-511-08 315	ALL ALL
3	510-218-045	Pressure Gauge, 0 – 30 PSIG, 2 ½" dial, Back Connection, ¼" N.P.T.	Amekai		ALL
4	510-218-135	Water Gauge Glass Cocks, Set ½" N.P.T.	Conbraco	20-205-03W	ALL
5	383-600-000	Water Gauge Glass Kit, 5/8" x 7 3/8" with gaskets and brass washers	Weil-McLain		ALL
6	563-334-580	Water Gauge Glass Guard, 3/16" dia. X 9 3/8" long (2 required)	Weil-McLain		ALL
<b>Additional Steam Trim Components For B-68 And P-68 Boilers</b>					
		High Pressure Limit, 0 – 15 PSIG Adjustable, Subtractive Differential 1 – 8 PSIG, Adjustable, Open on High Pressure Switch Action	Honeywell	PA404A-1009	ALL
8	510-312-209	High Limit Temperature Control, SPST, automatic recycle, 140° - 240°F Range, 10° Fixed subtractive Differential, with ¾" N.P.T. Well (Furnished with Tankless Heater) on boilers with tank.	Honeywell White-Rodgers	L4080B-1311 11B83-16	ALL ALL
<b>Additional Steam Trim Components For P-68 Boilers</b>					
10	511-114-494	Float type Low Water Cut-off, with ½" N.P.T. Connections and a ¾" Blow-Down Valve	McDonnell-Miller	67W-1	3,4,5,6,7
NS	590-921-903	Tankless Heater – steam boiler (Includes: heater, gasket, nuts and studs.) For boiler size 368 thru 968	Heat Transfer Products	35-S-29	ALL
	560-340-577	Tankless heater nut and stud	Weil-McLain		



## 76 Series 1 Section Assembly

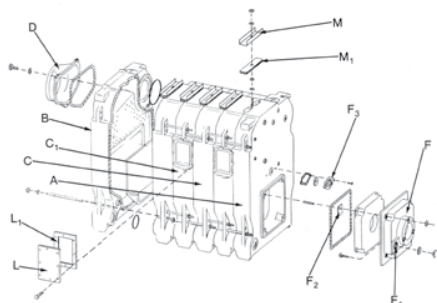


Fig. No.	Part No.	Description
A	315-600-100	Front Section – 7613
B	315-600-110	Back Section – 7618
C	315-600-120	Intermediate Section – 7615
C1	315-600-130	“TI” Intermediate Section – 7616
	592-800-009	3 ½" Dia. Bottom Elastomer Seal (1 per joint)
	592-800-008	7 ½" Dia. Top Elastomer Seal (1 per joint)
	560-134-485	5/8" x 9" Draw Rod w/o Nut (4 per joint)
	561-928-224	5/8" Nut (2 per draw rod)
	562-248-710	5/8" Washer (1 per draw rod)
	591-706-214	Flue Brush, 123 DMG
	590-735-150	3/8" Dia. Sealing Rope (1' for observation port frame) – TP1000 Type MD-375
	590-735-140	½" Dia. Sealing Rope (9' per joint, 5' for front plate, 3 ½' for flue collar) – TP500 Type HD-500
M	450-030-924	Cleanout Plate (1 per joint)
M1	591-221-270	Gasket for Cleanout Plate (apply using waterglass)
	591-632-612	Waterglass, 4 oz.
	591-641-850	Construction Adhesive for Sealing Rope, 11oz. Tube
	591-638-850	Silicone Sealant, 10.3oz. Tube, RTV700
	591-638-851	Silicone Sealant, 3oz. Tube, RTV700
L	450-030-934	Cover Plate for Heater Opening (Rectangular)
L1	590-317-579	Gasket for Heater Cover Plate (Rectangular)
	560-340-577	Tankless nut and stud
F	385-600-096	Burner Mounting Plate Assembly (Includes: Burner Mounting Plate and Refractory)
	591-000-062	Front Refractory
F2	562-650-105	Refractory Retainer Clip
F1	460-039-898	Secondary Air Shutter
F3	340-004-605	Observation Port Assembly (Includes: frame, rope, gasket, plugs and sight glass)
	591-419-199	Sight Glass
	590-317-580	Washer for Sight Glass
D	330-055-410	10" Flue Collar – 7675
	591-221-240	Back Refractory Blanket (apply using waterglass)
	385-600-097	Insulation Blanket Kit (Includes: blanket, waterglass, 1/2" rope, construction adhesive, instruction sheet and warning sheet)

## 76 Series 1 Water Trim and Control Components

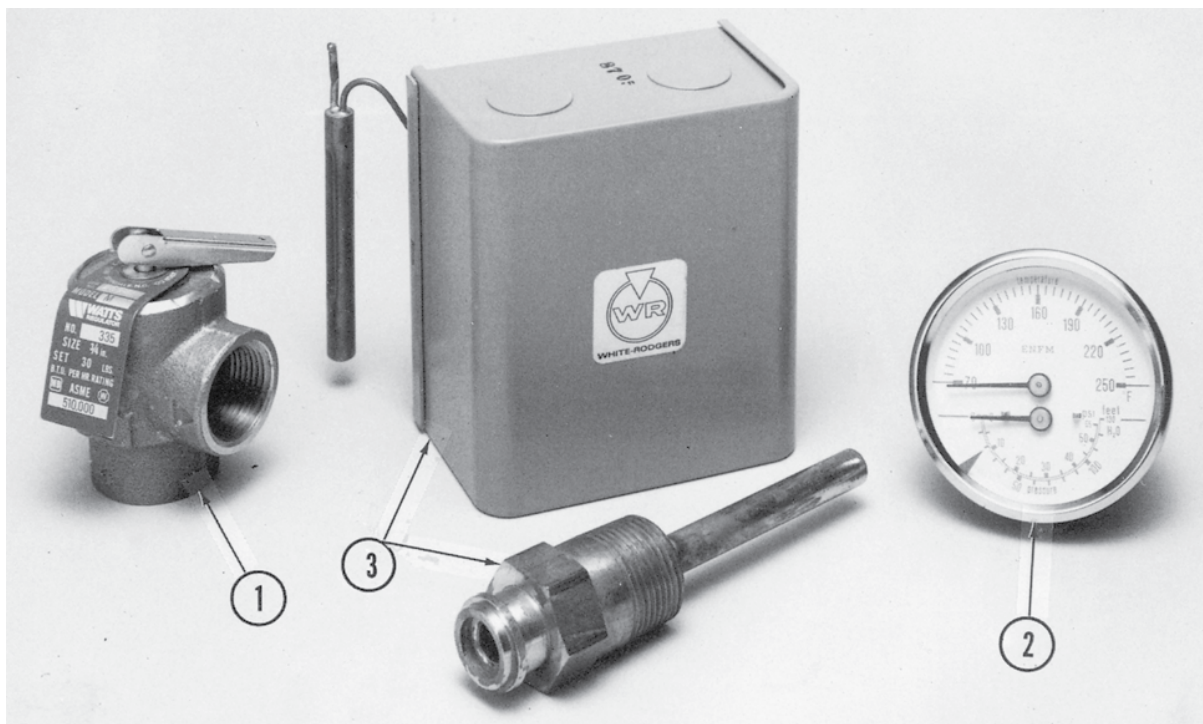


Fig. No.	Part No.	Description	Mfr.	Mfr.'s Part No.	76 Ser. 1 Boiler Size
1	511-546-924	ASME Pressure Relief Valve, Set to relieve at 30 PSIG, 3/4" N.P.T. female inlet, brass side outlet	Watts	334	4 - 7
		ASME Pressure Relief Valve, Set to relieve at 30 PSIG, 3/4" N.P.T. female inlet, brass side outlet	Conbraco	10-408-05	4 - 7
1	511-546-925	ASME Pressure Relief Valve, Set to relieve at 30 PSIG, 3/4" N.P.T. female inlet x 1" female side outlet, rated at 925,000 BTU/hr.	Watts	740	7 - 9
2	510-218-099	Combination Pressure-Temperature Gauge, 2 1/2" Dial, 0 - 60 PSIG, 60 - 260°, Short Shank, Back Connection, 1 1/4" N.P.T.	Amekai	PTA1088	ALL SIZES
3	510-312-065	Combination Operating and High Limit Control with Well, OPERATING LIMIT: 100-220° Range with 10-35°F Adjustable Subtractive Differential. HIGH LIMIT: 140-240° Adjustable with 10°F Fixed Subtractive Differential	Honeywell	L4081A1189	ALL SIZES
	590-921-903	Tankless Heater - water and steam boiler (Includes: heater, tankless aquastat (Honeywell L4080B-1311), gasket nuts and studs.)	Heat Transfer Products	35-S-29	
	560-340-577	Tankless nut and stud	Weil-McLain		

## 76 Series 1 Steam Trim and Control Components

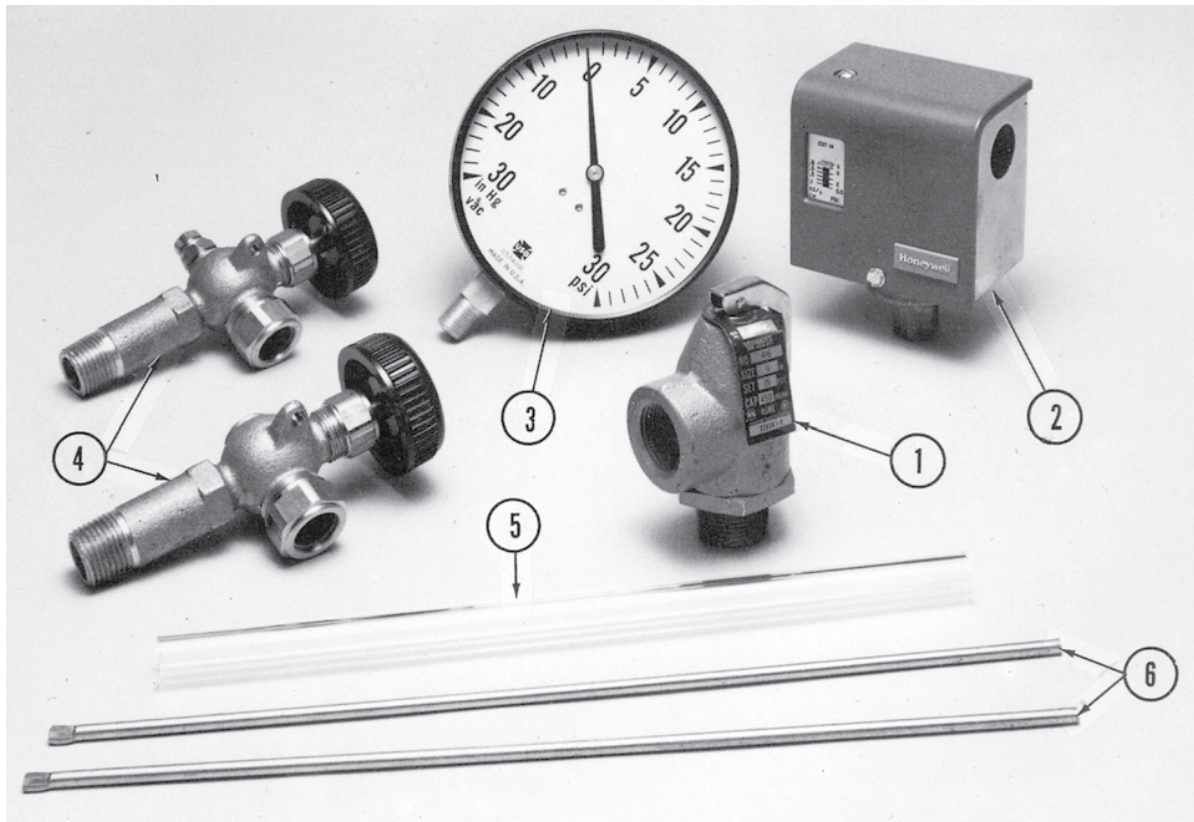
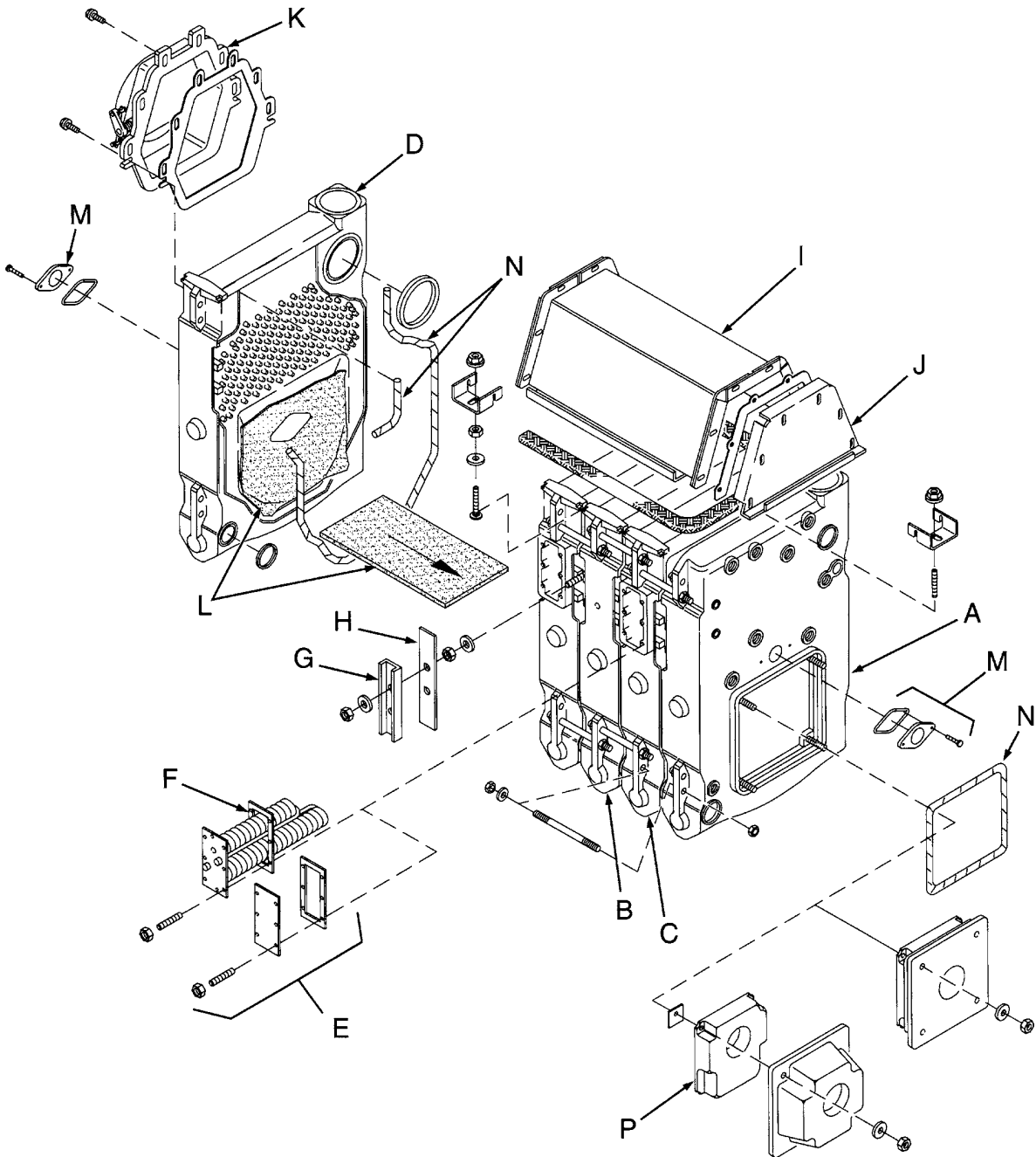


Fig. No.	Part No.	Description	Mfr.	Mfr.'s Part No.	Boiler Size
1	511-548-020	Steam Safety Valve, Set to relieve at 15 PSIG, ¾" N.P.T., side outlet, 450 lb./hr steam capacity	Watts	415	3 – 6
			Conbraco	13-211-08	3 – 6
1	511-548-046	Steam Safety Valve, Set to relieve at 15 PSIG, 1" N.P.T. Inlet, 1" N.P.T. Side Outlet, 643 lb./hr. Steam Capacity	Conbraco	13-202-08	7 – 9
2	510-312-135	High Pressure Limit, Operating Range 0 – 9 PSIG, Differential 0 – 5 PSIG	Honeywell	PA404A-1009	ALL SIZES
3	510-218-100	Combination Pressure-Vacuum Gauge, 0 – 30 PSIG, 0 – 30" High, 4 ½" Dial, Bottom Connection, ¼" N.P.T., Spec 05549	Ametek	USC-500-55	ALL SIZES
4	510-218-145	Water Gauge Glass Cocks, Set ½" N.P.T., Male Inlet	Conbraco	21-205-03B55	ALL SIZES
5	383-600-002	Water Gauge Glass Kit, 5/8" x 10 5/8" with gaskets and brass washers.	Weil-McLain		ALL SIZES
6	563-334-595	Water Gauge Glass Guards, 3/16" Dia. X 12 ½" Long (2 required)	Weil-McLain		ALL SIZES
NS	590-921-903	Tankless Heater – water and steam boiler (Includes: heater, tankless aquastat (Honeywell L4080B-1311), gasket nuts and studs.)	Heat Transfer Products	35-S-29	
	560-340-577	Tankless nut and stud	Weil-McLain		

# 78 Section Assembly

GAS/OIL



## 78 Section Assembly

Fig. No.	Part No.	Description	Mfr.'s Part No.
1	315-700-059	Front Section – 80 PSI	7813
2	315-700-120	Intermediate Section, Regular – 80 PSI	7815
	315-700-150	Intermediate Section, Supply – Steam – 80 PSI	7814
3	315-700-140	Intermediate Section, Tankless – 80 PSI	7816
4	315-700-068	Back Section – 80 PSI	7818
	385-700-205	Section Assembly Kit-For One Joint (Includes: Sealing Rope Sealing Rope Adhesive, Sealing Rings and Silicone Sealant	
5	385-700-200	Heater Cover Plate Carton (Includes: Cover Plate, Gasket, Studs and Nuts)	
	560-540-577	Tankless Nut And Stud	
6	590-317-550	Heater Gasket	
7	450-030-928	Cleanout Plate	
8	590-317-303	Cleanout Plate Gasket	
	560-340-577	Heater Studs & Nuts 3/8 X 1 1/8"	
		3   4   5   6   7   8   9   10   11   12	
9	450-020-200	Flue Collector Hood "A"	1
	450-020-205	Flue Collector Hood "B"	1
	450-020-210	Flue Collector Hood "C"	1
	450-020-215	Flue Collector Hood "D"	1
	450-020-220	Flue Collector Hood "E"	1
	385-700-215	Flue Collector Hood Hardware Kit (Includes: Fat-Stitched Sealing Rope, Double-Faced Tape, Flue Collar Gasket, Collector Hood Gaskets, Hold-Down Clips, Stud & Hardware)	
	385-700-218	Collector Hood Gasket Kit (Includes: Fat-Stitched Sealing Rope, Double-Faced Tape, Flue Collar Gasket, Collector Hood Gaskets)	
10	450-020-225	Flue Collector Hood End Cap	
11	385-700-065	Flue Collar Assembly, 8"	
	385-700-070	Flue Collar Assembly, 10"	
	385-700-075	Flue Collar Assembly, 12"	
12	385-700-220	Combustion Chamber Kit (Includes: Back Refractory Blanket, Bottom Refractory Blanket, Waterglass, Sealing Rope & Sealing Rope Adhesive)	
	562-650-105	Insulation Retainer Clip	
13	385-600-099	Observation Port Assembly (Includes: Observation Port, Sealing Rope and Screws)	
14	590-735-140	1/2" Glass Rope (For Section and Burner Mounting Plate Seal)	
15	591-000-070	Burner Mounting Plate Front Refractory 4 " Burner Opening	
	591-000-072	Burner Mounting Plate Front Refractory 6 " Burner Opening	
	560-134-490	Draw Rod 5/8 X 10" (4 Per Joint)	
	562-248-710	Washers 5/8" (1 Per Rod)	
	561-928-224	5/8" – 11 Nut (2 Per Rod)	
	592-800-008	7 ½" Elastomer Seal, Top	
	592-800-009	3 ½" Elastomer Seal, Bottom	

## 78 Water Trim

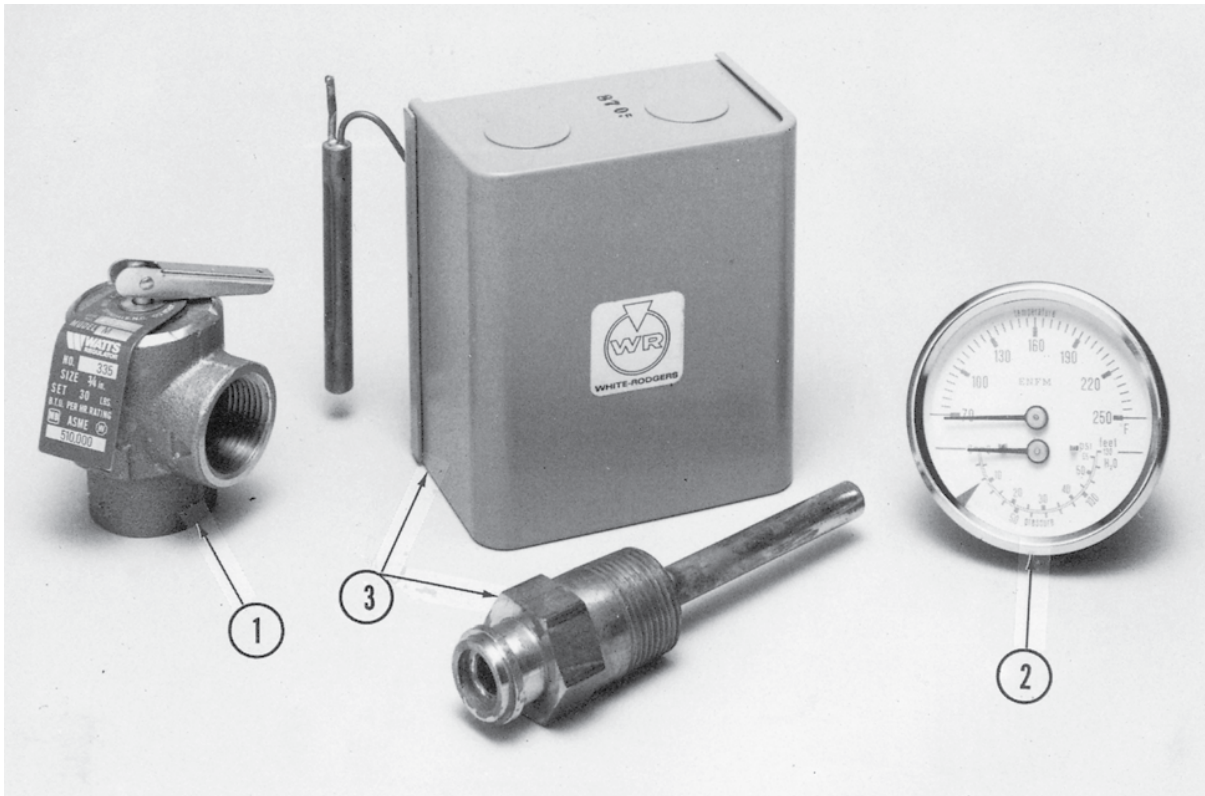
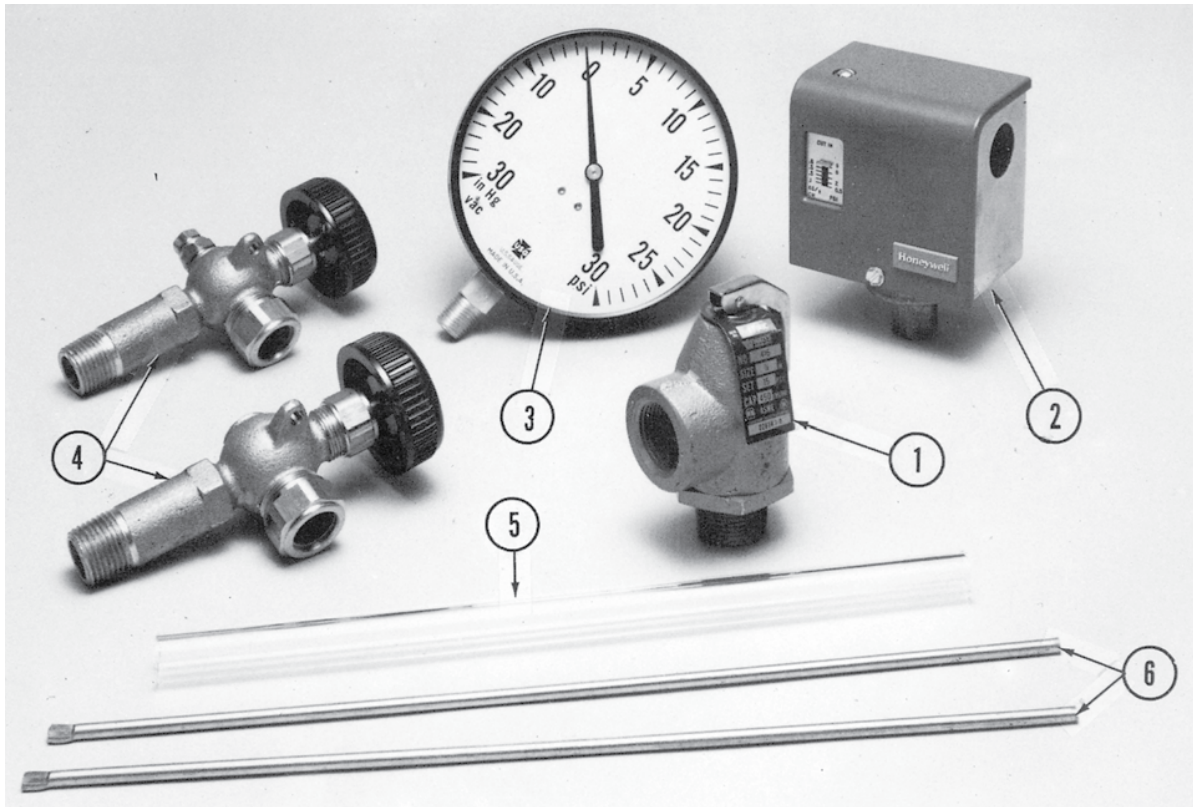


Fig. No.	Part No.	Description	Mfr.	Mfr.'s Part No.
1	511-546-924	ASME Pressure Relief valve, Set To Relieve at 30 PSIG, 3/4" N.P.T. Female Inlet, Brass, 3/4" Female Side Outlet, Rated At 375,000 Btu/Hr	Watts	M330
		ASME Pressure Relief Valve, Set To Relieve at 30 PSIG, 3/4" N.P.T. Female Inlet, Brass, 3/4" Female Side Outlet, Rated At 535,000 Btu/Hr	Conbraco	10-408-05
	511-546-925	ASME Pressure Relief valve, Set To Relieve at 30 PSIG, 3/4" N.P.T. Female Inlet, Brass, 1" Female Side Outlet, Rated At 925,000 Btu/Hr	Watts	740
	511-546-930	ASME Pressure Relief valve, Set To Relieve At 30 PSIG, 1" N.P.T. Female Inlet, Brass, 1 1/4" Female Side Outlet, Rated At 1,300,000 Btu/Hr	Watts	740
	511-546-935	ASME Pressure Relief valve, Set To Relieve At 30 PSIG, 1 1/4" N.P.T. Female Inlet, Brass, 1 1/2" Female Side Outlet, Rated At 2,105,000 Btu/Hr	Watts	740
2	510-218-099	Combination Pressure Temperature Gauge, 2 1/2" Dia. Dial, 0-170 PSIG, 70-320°F, Short Shank, Back Connection, 1/4" N.P.T.	Ametek	199994
			ENF-USA	¼ CBM
3	510-312-065	Combination High Limit/Low Limit Control High Limit: 140-240°F Low Limit: 140-240°F With 5-35°F Adjustable Differential: Low Limit Must Be Set 20°F Below High Limit	White-Rodgers	11C30-3
			Honeywell	L4081A1189
NS	590-921-917	Tankless Heater - Water Or Steam (Includes: Heater, Gasket, Nuts And Studs)		78-34
	560-340-577	Tankless Nut And Stud	Weil-McLain	

## 78 Steam Trim



GAS/OIL

Fig. No.	Part No.	Description	Mfr.	Mfr.'s Part No.
1	511-548-020	Steam Relief valve, Set To Relieve at 15 PSIG, 3/4" N.P.T., Inlet, 3/4" Side Outlet, 446 Lbs. Lbs./Hr. Steam Capacity	Watts	415
		Steam Relief Valve, Set To Relieve at 15 PSIG, 3/4" N.P.T., Inlet, 3/4" Side Outlet, 446 Lbs. Lbs./Hr. Steam Capacity	Conbraco	13-211-08
	511-548-046	Steam Relief Valve, Set To Relieve at 15 PSIG, 1" N.P.T., Inlet, 1" Side Outlet, 643 Lbs. Lbs./Hr. Steam Capacity	Conbraco	13-202-08
	511-548-051	Steam Relief valve, Set To Relieve at 15 PSIG, 1 1/4 " N.P.T., Inlet, Side Outlet, 1200 Lbs. Lbs./Hr. Steam Capacity, Brass	Conbraco	13-213-08
	511-548-052	Steam Relief valve, Set To Relieve at 15 PSIG, 1 1/2" N.P.T., Inlet, Side Outlet, 1900 Lbs. Lbs./Hr. Steam Capacity, Brass	Conbraco	13-214-08
2	510-312-135	Steam Pressuretrol	Honeywell	PA404A1009
3	510-218-100	Combination Pressure Vacuum Gauge, 0-30 PSIG , 0-30" Hg., 4 1/2" Dial, Bottom Connection, 1/4" N.P.T.	U.S. Gauge	C500-5549
4	510-218-145	Water Gauge Glass Cock Set, 1/2" N.P.T., Male Inlet	Conbraco	21-205-03W
5	383-600-002	Water Gauge Glass Kit, 5/8" X 10 5/8" With Gaskets And Brass Washers.	Weil-McLain	-
6	563-334-595	Gauge Glass Guards, 12 1/2" Long X 3/16" Diameter	Weil-McLain	-
NS	590-921-917	Tankless Heater - Water or Steam (Includes: Heater, Gasket, Nuts and Studs)		78-34
	560-340-577	Tankless Nut And Stud		

## EMCS System 1

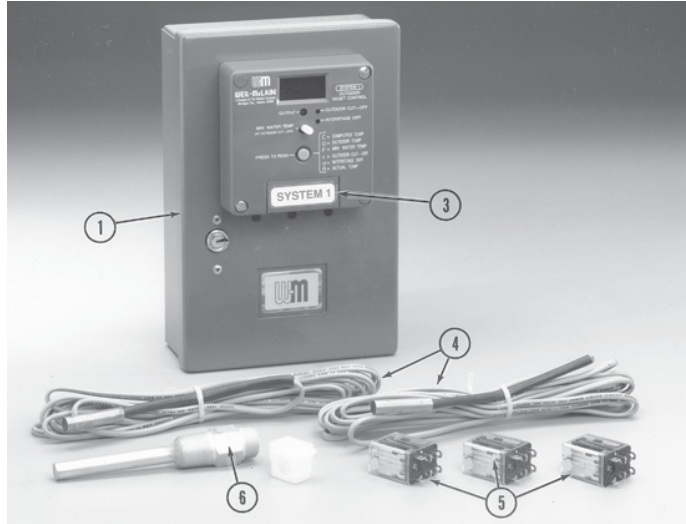


Fig. No.	Part No.	Description	Mfr.	Mfr.'s Part No.
	562-850-078	Screwdriver with 2 spare keys for panel box	Heat-Timer	900129
4	511-624-642	Sensor, water or air 3/8"	Heat-Timer	904015
5	510-350-411	Output relay, DPDT, 24 volt DC	Heat-Timer	500031
6	592-300-023	Control Well, 1 1/2" N.P.T., 3/8" I.D. for use with water sensor	Heat-Timer	904011
	562-850-076	Mounting Clip, Outdoor air sensor	Heat-Timer	200051



## EMCS System 2

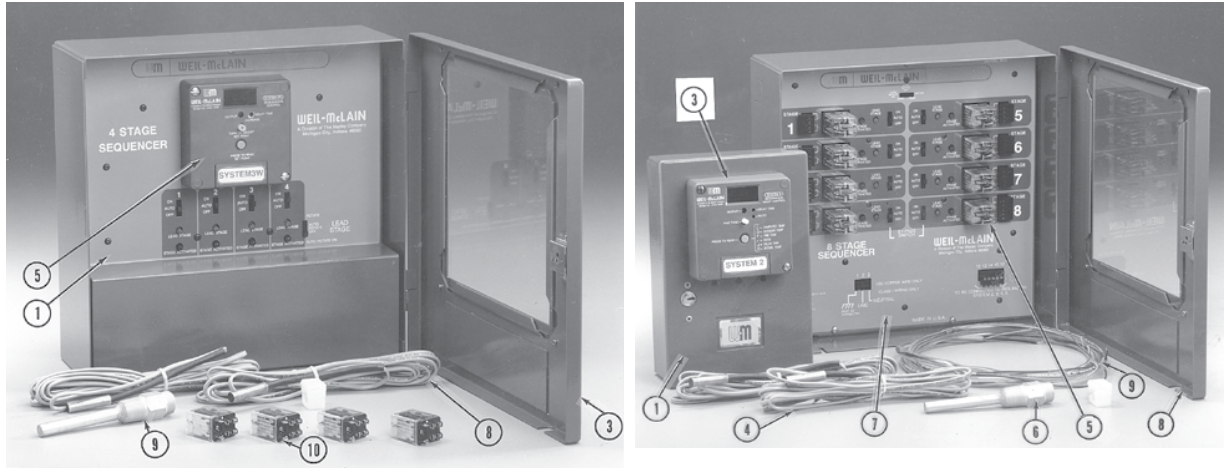


Fig. No.	Part No.	Description	Mfr.	Mfr.'s Part No.
	562-850-078	Screwdriver with 2 spare keys for panel box	Heat-Timer	900129
4	511-624-642	Sensor, water or air 3/8"	Heat-Timer	904015
5	510-350-411	Output relay, DPDT, 24 volt DC	Heat-Timer	500031
6	592-900-023	Control Well, 1 1/2" N.P.T., 3/8" I.D. for use with water sensor	Heat-Timer	904011
	562-850-076	Mounting Clip, Outdoor air sensor	Heat-Timer	200051
<b>EMCS System 2 with 8-State Sequencer</b>				
	562-850-078	Screwdriver with 2 spare keys for panel box	Heat-Timer	900129
4	511-624-642	Sensor, water or air 3/8"	Heat-Timer	904015
5	510-350-411	Output relay, DPDT, 24 volt DC	Heat-Timer	500031
6	592-900-023	Control Well, 1 1/2" N.P.T., 3/8" I.D. for use with water sensor	Heat-Timer	904011
10	562-850-076	Mounting Clip, Outdoor air sensor	Heat-Timer	200051

ADDITIONAL

## EMCS System 3W and 3S

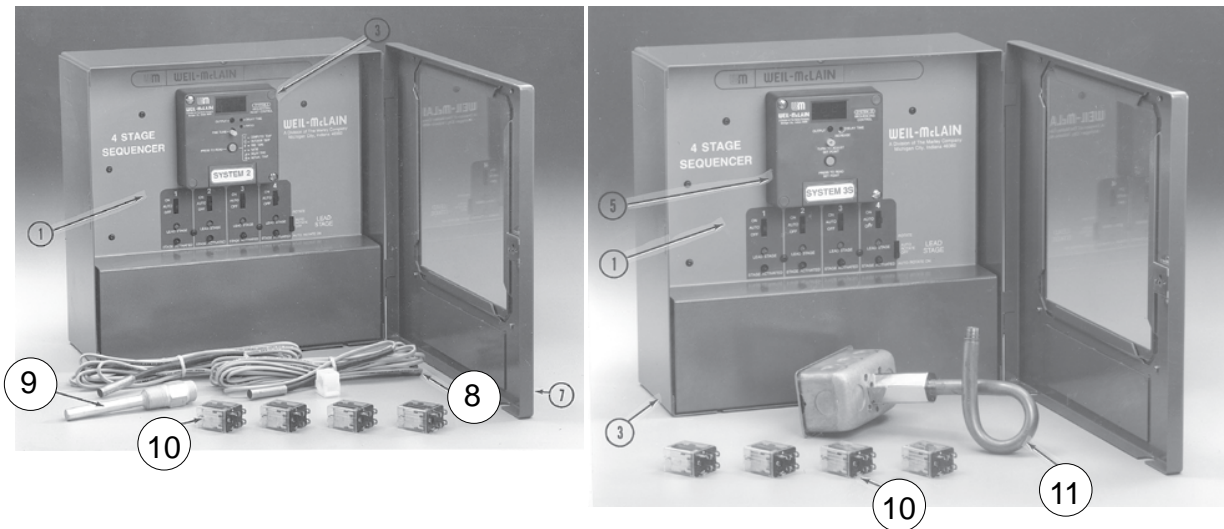


Fig. No.	Part No.	Description	Mfr.	Mfr.'s Part No.
	562-850-078	Screwdriver with 2 spare keys for panel box	Heat-Timer	900129
8	511-624-642	Sensor, water or air 3/8"	Heat-Timer	904015
10	510-350-411	Output relay, DPDT, 24 volt DC	Heat-Timer	500031
9	592-900-023	Control Well, 1 1/2" N.P.T., 3/8" I.D. for use with water sensor	Heat-Timer	904011
	562-850-076	Mounting Clip, Outdoor air sensor	Heat-Timer	200051
11	511-624-643	Pressure Sensor Assembly (Includes: sensor with transducer, junction box)	Heat-Timer	904310-00

## EMCS System 4

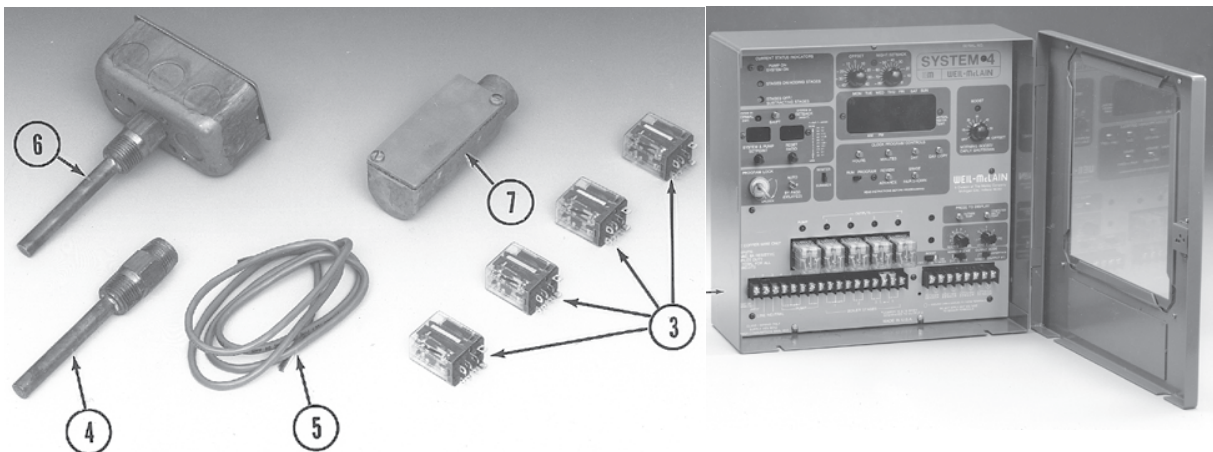


Fig. No.	Part No.	Description	Mfr.	Mfr.'s Part No.
	562-850-078	Screwdriver with 2 spare keys for panel box	Heat-Timer	900129
3	510-350-411	Output relay, DPDT, 24 volt DC	Heat-Timer	500031
4	592-900-023	Control Well, 1 1/2" N.P.T., 3/8" I.D. for use with water sensor	Heat-Timer	904011
6	511-624-641	Water Temperature Sensor with Housing	Heat-Timer	904031-00
7	511-624-640	Outdoor Temperature Sensor wth Sensor	Heat-Timer	904030-00
	562-850-080	Lithium Battery, 3 volt (5 year shelf life)	Heat-Timer	20002

ADDITIONAL

## EMCS System 5

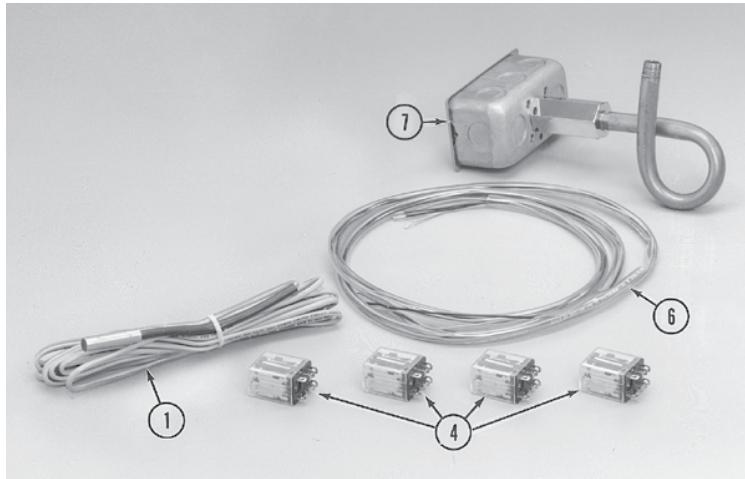


Fig. No.	Part No.	Description	Mfr.	Mfr.'s Part No.
1	511-624-642	Sensor, Air 3/8"	Heat-Timer	904015
	562-850-078	Screwdriver with 2 spare keys	Heat-Timer	900129
4	510-350-411	Output relay, DPDT, 24 volt DC	Heat-Timer	500031
7	511-624-643	Pressure Sensor Assembly (Includes: sensor with transducer, junction box)	Heat-Timer	904310-00
	562-850-080	Lithium Battery, 3 volt (4 year shelf life)	Heat-Timer	20002
	562-850-079	Spare Key, EMCS Program Lock	Heat-Timer	200093-01

## EMCS System 6W and 6S

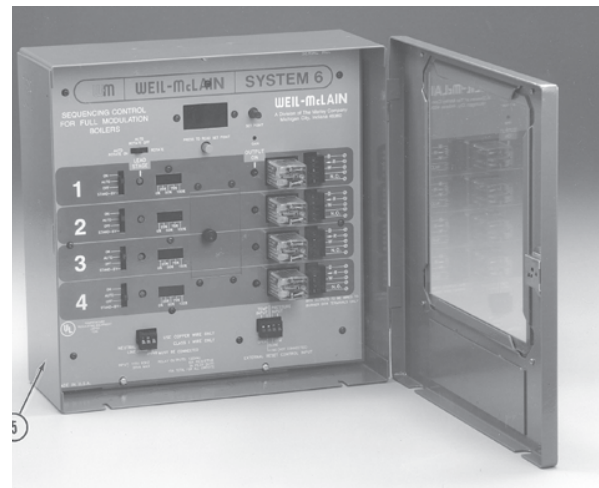
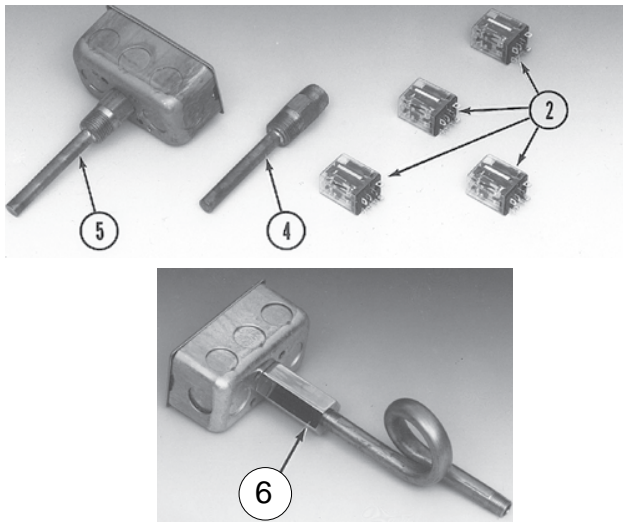


Fig. No.	Part No.	Description	Mfr.	Mfr.'s Part No.
	562-850-078	Screwdriver with 2 spare keys for panel box	Heat-Timer	900129
2	510-350-411	Output relay, DPDT, 24 volt DC	Heat-Timer	500031
	562-850-080	Lithium Battery, 3 volt (5 year shelf life)	Heat-Timer	20002
4	592-900-023	Control Well, 1 1/2" N.P.T., 3/8" I.D. for use with water sensor	Heat-Timer	904011
5	511-624-641	Water Temperature Sensor with Housing	Heat-Timer	904031-00
6	511-624-643	Pressure Sensor Assembly for 6S (Includes: sensor with transducer, junction box)	Heat-Timer	904310-00

ADDITIONAL

BCP 3/6/12  
Control List

Part No.	Description	Mfr.
389-900-175	Temperature sensor and ½" N.P.T. control well	Heat-Timer
389-900-176	Temperature sensor with housing and ½" N.P.T. control well	Heat-Timer
389-900-177	Temperature sensor and outdoor mounting clip	Heat-Timer
511-624-640	Outdoor weather head enclosure with temperature sensor	Heat-Timer
511-624-643	Pressure sensor assembly with pig tail	Heat-Timer

ADDITIONAL

Electric CER Series 2

ADDITIONAL

<b>Line Voltage Electrical Control Components Control List Electrical Power Supply - 240/60/1</b>						
Part No.	Description	Mfr.	Mfr.'s Part No.	Qty. Req'd Per Boiler		
				24	32	40
591-550-250	Heating Element, incoloy sheathed with gasket 8KW 240 volt	Watlow	6-22-8-2	3	4	5
590-317-523	Heating Element Gasket, rubber 1 3/4"	Heatube		5	5	5
592-243-200	Heating Element Opening Cover Plate	Watlow	278-62-1-1	2	1	0
512-150-147	Heating Element Contactor, DPST, 24 volt holding coil, 48.0 amps, rating-resistive load at 240 volt	Honeywell	R8246A1006	3	4	5
512-050-015	Line Voltage Terminal and Fuse Block	Marathon	4959001	2	2	2
		Devices	13195-511LCR			
591-850-176	Heating Element Fuse 50 AMP 250 volt	Bussman	NON 50	6	8	10
511-842-361	Transformer 208/240 volt primary to 24 volt secondary, 48 VA, foot mounting	Honeywell	AT87A-1106	1	1	1
<b>Line Voltage Electrical Control Components Control List Electrical Power Supply - 208/60/1</b>						
591-550-229	Heating Element, incoloy sheathed with gasket 8KW 240 volt	Heatube	B430786-15	3	4	5
590-317-523	Heating Element Gasket, rubber 1 3/4"	Heatube		5	5	5
592-243-200	Heating Element Opening Cover Plate	Watlow	278-62-1-1	2	1	0
512-150-147	Heating Element Contactor, DPST, 24 volt holding coil, 48.0 amps, rating-resistive load at 240 volt	Honeywell	R8246A1006	3	4	5
512-050-015	Line Voltage Terminal and Fuse Block	Marathon	4959001	2	2	2
		Devices	13195-511LCR			
591-850-176	Heating Element Fuse 50 AMP 250 volt	Bussman	NON 50	6	8	10
511-842-361	Transformer 208/240 volt primary to 24 volt secondary, 48 VA, foot mounting	Honeywell	AT87A-1106	1	1	1
<b>Line Voltage Electrical Control Components Control List Electrical Power Supply - 208/60/3</b>						
591-550-229	Heating Element, incoloy sheathed with gasket 8KW 240 volt	Heatube	B430786-15	3	4	5
590-317-523	Heating Element Gasket, rubber 1 3/4"	Heatube		5	5	5
592-243-200	Heating Element Opening Cover Plate	Watlow	278-62-1-1	2	1	0
512-150-149	Heating Element Contactor, 3PST, 24 volt holding coil, 50.0 amps, rating-resistive load at 480 volt	Honeywell	DP3010A1001	3	4	5
512-050-017	Line Voltage Terminal and Fuse Block	Marathon	4959001	3	3	3
		Underwriters Safety Devices	4835901			
591-850-174	Heating Element Fuse 30 AMP 250 volt	Bussman	NON 30	9	15	15
511-842-361	Transformer 208/240 volt primary to 24 volt secondary, 48 VA, foot mounting	Honeywell	AT87A-1106	1	1	1

## Electric CER Series 2

<b>Line Voltage Electrical Control Components Control List Electrical Power Supply - 240/60/3</b>						
Part No.	Description	Mfr.	Mfr.'s Part No.	Qty. Req'd Per Boiler		
				24	32	40
591-550-249	Heating Element, incoloy sheathed with gasket 8KW 240 volt	Watlow	6-22-8-2	3	4	5
590-317-523	Heating Element Gasket, rubber 1 3/4"	Heatube		5	5	5
592-243-200	Heating Element Opening Cover Plate	Watlow	278-62-1-1	2	1	0
512-150-149	Heating Element Contactor, 3PST, 24 volt holding coil, 50.0 amps, rating-resistive load at 480 volt	Honeywell	DP3010A1001	3	4	5
512-050-017	Line Voltage Terminal and Fuse Block	Marathon	4959001	3	3	3
		Underwriters Safety Devices	4835901			
591-850-174	Heating Element Fuse 30 AMP 250 volt	Bussman	NON 30	9	12	15
511-842-361	Transformer 208/240 volt primary to 24 volt secondary, 48 VA, foot mounting	Honeywell	AT87A-1106	1	1	1
<b>Line Voltage Electrical Control Components Control List Electrical Power Supply - 480/60/3</b>						
591-550-272	Heating Element, incoloy sheathed with gasket 8KW 480 volt	Watlow	16-22-15-10	3	4	5
590-317-523	Heating Element Gasket, rubber 1 3/4"	Heatube		5	5	5
592-243-200	Heating Element Opening Cover Plate	Watlow	278-62-1-1	2	1	0
512-150-148	Heating Element Contactor, 3PST, 24 volt holding coil, 50.0 amps, rating-resistive load at 480 volt	Hamilton Standard	1154-111111-5200A	3	4	5
		White-Rodgers	90-160S1			
512-050-017	Line Voltage Terminal and Fuse Block	Marathon	4959001	3	3	3
		Devices	13394-5CR			
591-850-178	Heating Element Fuse 15 AMP 600 volt	Bussman	JKS 15	9	12	15
511-842-362	Transformer 480 volt primary to 24 volt secondary, 48 VA, foot mounting	Honeywell	AT87A-1155	1	1	1

**ADDITIONAL**

## Electric CER Series 2

<b>Water Trim and Control Components Control List</b>						
<b>Electrical Power Supply - 208/60/1, 240/60/1, 208/6/3, 240/60/3, 480/60/3</b>						
Part No.	Description	Mfr.	Mfr.'s Part No.	Qty. Req'd Per Boiler		
				24	32	40
562-850-089	Door Latch with Retainer, push-on clip and knob	Arden		1	1	1
		Southco		1	1	1
510-350-061	Control, DPST, Automatic Recycle LOW LIMIT: 120-220°F range, 10-25°F adjustable subtractive differential HIGH LIMIT: 140-240°F range, 10° fixed subtractive differential	Honeywell	L6081C1010	1	1	1
511-546-924	ASME Pressure Relief Valve, set to relieve at 30 PSIG, 3/4" N.P.T. female inlet, brass, side outlet	Watts Regulator	335			
		Conbraco	10-405-08	1	1	1
388-800-185	Replacement Pressure Gauge Kit	Weil-McLain		1	1	1
<b>Line Voltage Control Circuit Electrical Control Components Control List</b>						
<b>Electrical Power Supply - 208/60/1, 240/60/1, 208/6/3, 240/60/3, 480/60/3</b>						
510-350-211	Electrical Delay Timer, solid state, 2 1/2 minute delay on make, 24 volt	SSAC	TS121150	2	3	4
388-800-187	Thermal Time Delay Kit, 15 sec. delay on make, 10 sec. delay on break, SPST, 24 volt	Weil-McLain		2	3	4
510-350-219	Circulator Relay, SPST, 24 volt holding coil	White-Rodgers	184-20102-102	1	1	1
512-050-022	Low Voltage Terminal Block	Marathon	4969057			
		Underwriters Safety Devices	13195-607LS	1	1	1

**ADDITIONAL**

## Electric CE Series 2 Parts

Part No.	Description	Mfr.	Mfr.'s Part No.
318-302-100	CES & CEW Section	Weil-McLain	2370
590-317-523	Element Gasket, Rubber 1 3/4"	McGraw	
510-312-135	Pressuretrol	Honeywell	PA-404-A1009
510-350-061	Limit Control without well 140-240°	Honeywell	L6081A1010
510-350-211	Solid State Timer, 24 volt	SSAC	TS121150
510-350-220	Time Delay Control	Texas Instruments	60704A1-1
510-350-219	Pump Relay Control	White-Rodgers	184-20102-102
511-144-494	Low Water Cutoff, 24 volt	McDonnell-Miller	67 W-1
510-632-088	Expansion Tank without fill valve	Amtrol	109
511-210-423	Drain Cock 3/4" 1 1/2" shank	Conbraco	31-606-01
511-210-433	90° Fill Valve	Conbraco	
511-405-117	Pump DWG DA-E100-A ELECT. BLR	Bell & Gossett	100
511-546-924	Water Relief Valve, 30 PSI 3/4" female		
511-548-020	Steam Relief Valve, 15 PSI 3/4" female		
511-842-365	Transformer 208/240 volt	Micron	B200MP7XK
388-800-000	Transformer 480 volt	Micron	B200U7XK
512-050-013	Terminal Block	Clinch-Jones	2-140
512-050-018		Marathon	4965700
512-050-019		USD	313394-6CR
512-050-021		Marathon	4947900
512-050-023		Marathon	
512-150-147		Contactactor - Single Phase	Honeywell
512-150-149	Contactactor - Three Phase	Honeywell	DP3040A1001
562-850-089	Door Knob Latch with Pawl		
563-334-580	Glass Guard Rods 3/16" x 9 3/8"		
383-600-000	Gauge Glass Kit (Includes: glass, gaskets, and brass washers)		
591-550-164	Element with Gasket 16KW 208 volt	Watlow	6-22-15-4
591-550-165	Element with Gasket 16KW 240 volt	Watlow	6-22-15-5
591-550-166	Element with Gasket 16KW 480 volt	Watlow	6-22-15-6
591-550-229	Element with Gasket 8KW 208 volt	Heatube	B430786-15
591-550-250	Element with Gasket 8KW 240 volt	Watlow	6-22-8-2
591-850-176	Fuse 50AMP, 250 volt	Bussman	NON 50
591-850-179	Fuse 30AMP, 600 volt	Bussman	JKS 0
591-850-181	Fuse 60AMP, 250 volt	Bussman	NON 60
591-850-185	Fuse 10AMP	Bussman	FNM 10
510-218-045	Steam Gauge Center Rear Mount 0-30 PSI		
388-800-185	Replacement Pressure Gauge Kit	Weil-McLain	
592-243-200	Element Opening Cover Plate	Watlow	278-62-1-1

ADDITIONAL



### Electric PER Series 3 Parts

Part No.	Description	Mfr.	Mfr.'s Part No.	Qty. Per Boiler		
				15	20	25
590-317-523	Heating Element Gasket, rubber 1 3/4"	Heatube		3	1	1
510-350-061	Combination Low Limit/High Limit Temperature Control, DPST, Automatic Recycle LOW LIMIT: 120-220°F range, 10-25°F adjustable subtractive differential. HIGH LIMIT: 140-240°F range, 10° fixed subtractive differential	Honeywell	L6081A-1010	1	3	4
510-350-211	Electronic Delay Timer, solid state, 2 1/2 minute delay on make, 24 volt	SSAC	TS121150	2	3	4
388-800-187	Thermal Time Delay Kit, 15 sec. delay on make, 10 sec. delay on break, SPST, 24 volt	Weil-McLain		2	1	1
510-350-219	Circulator Relay, SPST, 24 volt holding coil	White-Rodgers	184-20102-102	1	1	1
510-632-088	Expansion Tank without Fill Valve	Amtrol	109	1	1	1
511-210-423	Drain cock 3/4" 1 1/2" shank	Conbraco	31-606-01	1	1	1
511-210-433	90° Fill Valve	Conbraco		1	1	1
511-405-117	Pump DWG, DA-E100-A ELEC. BLR	Bell & Gossett	100	1	1	1
511-546-924	ASME Pressure Relief Valve, set to relieve at 30 PSIG, 3/4" N.P.T. female inlet, brass, side outlet	Watts Regulator	335	1	1	1
		Conbraco	10-408-05	1	1	1
511-842-361	Transformer 208/240 volt primary to 24 volt secondary, 48VA, foot mounting	Honeywell	AT87A-1106	1	1	1
512-050-002	Low Voltage Terminal Block	Marathon	4969057	1	1	1
		Underwriter Safety Device	13195-607LS	1	1	1
512-050-004	Line Voltage Terminal and Fuse Block (upper block)	Marathon	496058	1	1	1
		Underwriter Safety Device	13201R	1	1	1
512-050-013	Low Voltage Terminal and Fuse Block (lower block)	Clinch-Jones	2-140	1	1	1
512-150-147	Heating Element Contactor, DPST, 24 volt holding coil	Honeywell	R8246A1004	3	4	5
562-850-089	Door Knob Latch with Pawl	Arden		1	1	1
		SouthCo		1	1	1
590-317-535	Circulator Gasket (two required per unit)	GSKT		2	2	2
		SPLY		2	2	2
591-550-135	Heating Element, Incoloy Sheathed with Gasket 5KW 240 volt	Watlow	3-16-6-1	3	4	5
591-850-172	Control Circuit Fuse 15 AMP	Bussman	NON 15	1	1	1
591-850-174	Control Circuit Fuse 30 AMP	Bussman	NON 30	6	8	10
592-300-010	Temperature Control Well, Brass. 3/4" N.P.T.	Honeywell	123870A	1	1	1
510-148-567	Automatic Air Vent, float type, 1/8" N.P.T.	Taco	400-3	1	1	1
510-350-218	Pump Temperature Control	Therm-O-Disc	TOD 60T-82	1	1	1
381-354-526	Circulator Universal Hardware Kit 1 1/4" (Includes: (1) 1 1/4" c.i. pump flange, (1) universal circulator gasket, (2) screws and nuts)	Weil-McLain		2	2	2
388-800-185	Replacement Pressure Gauge Kit	Weil-McLain		1	1	1
592-243-200	Heating Element Opening cover Plate	Watlow	278-62-1-1	2	1	

ADDITIONAL

## Ultra Series 3/UE Natural to Propane Conversion

Sea Level to 5500 Feet Altitude		
Model	Description	Part Number
Ultra 80	LP orifice, LP burner, instructions, conversion label. Order separately if converting Natural gas boiler.	383-501-020
Ultra 105	LP Orifice, Instructions conversion label. Provided with boiler	383-500-001
Ultra 155	LP Orifice, Instructions conversion label. Provided with boiler	383-500-115
Ultra 230	LP Orifice, Instructions conversion label. Provided with boiler	383-500-120
Ultra 299	LP Orifice, Instructions conversion label. Provided with boiler	540-202-832
Ultra 310	LP Orifice, Instructions conversion label. Provided with boiler	540-202-831
Ultra 399	LP Orifice not provided. Adjustment made with Throttle screw. See Boiler Manual	NA
Above 5500 Feet Altitude		
Ultra 80	LP HA (high altitude) orifice. Requires Nat to LP conversion from above to replace natural burner with LP burner.	383-500-644
Ultra 105	LP Orifice, Instructions conversion label.	383-500-645
Ultra 155	LP Orifice, Instructions conversion label.	383-500-646
Ultra 230	LP Orifice, Instructions conversion label.	383-500-647
Ultra 299	LP Orifice, Instructions conversion label.	383-500-394
Ultra 310	LP Orifice, Instructions conversion label.	383-500-648
Ultra 399	LP Orifice not provided. Adjustment made with throttle screw. See Boiler Manual.	NA
Ultra Series 3/UE Propane to Natural Conversion		
Sea Level to 5500 Feet Altitude		
Ultra 80	Natural burner, instructions, conversion label. Order separately if converting LP gas boiler.	383-501-021

GAS

## Ultra Series 3/UE Miscellaneous Parts and Kits

Part No.	Description	Mfr.	Mfr's Part No.	Model
511-405-113	Boiler circulator, without flanges	Taco	007	Ultra-80 & -105
511-405-133	Boiler circulator, without flanges	Taco	0014	Ultra-155, -230, & -310
381-354-525	Circulator hardware kit – inlet, 1" (Includes: 1 flange, 2 nuts, 2 screws, and 1 gasket)			Ultra-80 to -230
381-354-526	Circulator hardware kit (flange, nuts, screws, and gasket) 1 1/4"			Ultra-80 to -310
381-354-531	Circulator hardware kit (flange, nuts, screws, and gasket) 1 1/2"			Ultra-310
383-500-350	Concentric vent kit			
383-500-631	Condensate neutralizer kit			
591-706-200	Heat exchanger cleaning tool			
383-500-605	Maintenance Kit (Includes: Igniter, igniter gasket, cover plate gasket, cover plate insulation, burner gasket, and venturi gasket)			Ultra-80 and -105
383-500-620	Maintenance Kit (Includes: Igniter, igniter gasket, cover plate gasket, cover plate insulation, burner gasket, and venturi gasket)			Ultra-155 and -310
383-500-095	Pressure relief valve, ASME 30 PSI, 3/4" N.P.T .male			
383-500-100	Vent/air termination plate (2 required for each boiler)			
383-500-105	Vent termination bird screen (2 required) 3" vent			Ultra-80, -105 & -155
383-500-110	Vent termination bird screen (2 required) 4" vent			Ultra-230 & -310
383-500-397	WM - PVC sidewall vent termination kit 3"			
383-500-398	WM - PVC sidewall vent termination kit 4"			
592-900-002	Corrosion inhibitor, 1 tube	Sentinel	X100	All
592-900-005	Inhibitor test kit, 2 tests	Sentinel		All
592-900-003	Boiler system cleaner/sludge remover	Sentinel	X400	All
592-900-004	Aluminum-safe Anti-freeze, 5 liter	Sentinel	X500	All
592-900-006	Aluminum-safe Anti-freeze, 5 gal.	Sentinel	X500	All

# Ultra Series 3/UE Jacket Parts

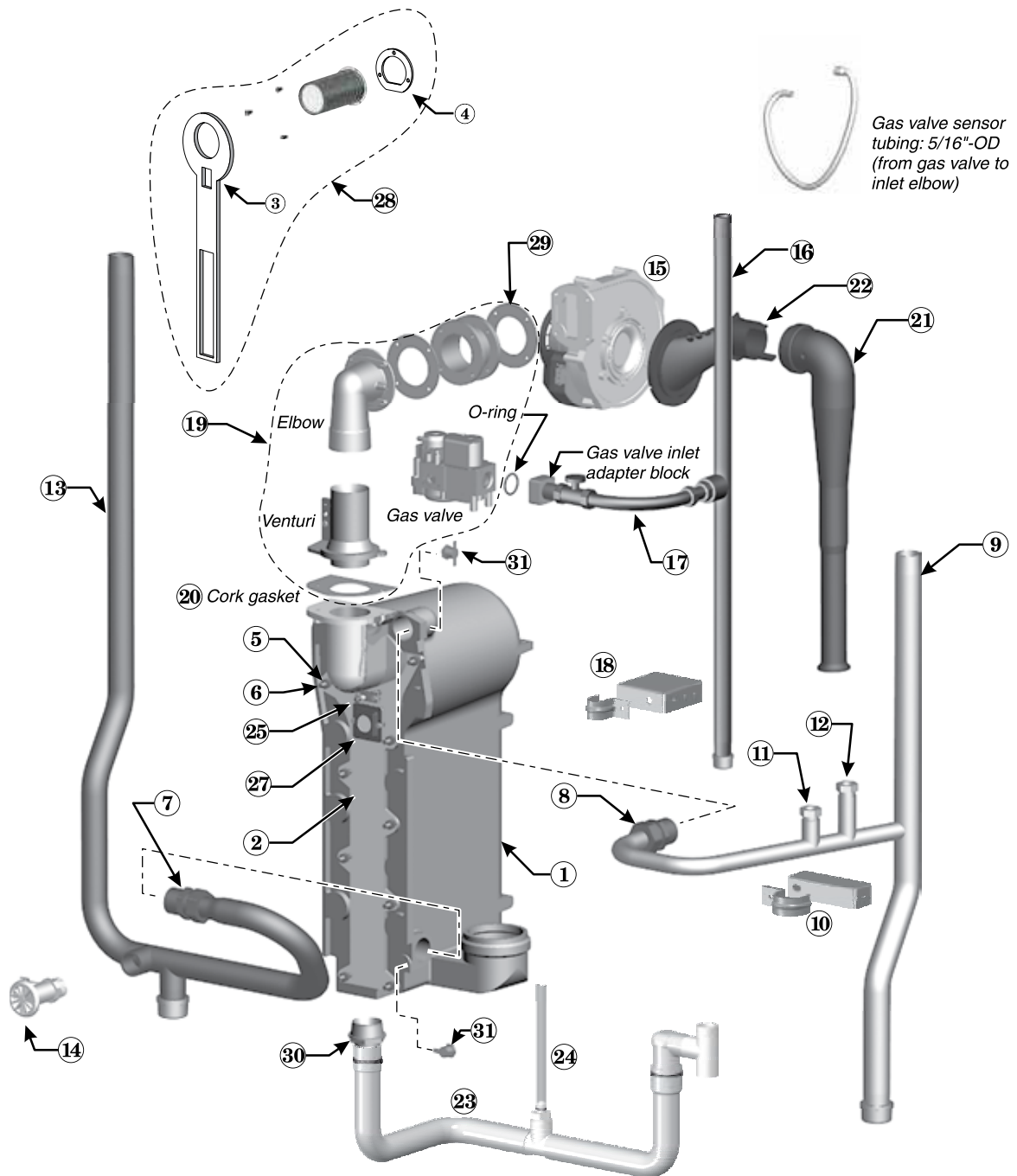


GAS

## Ultra Series 3/UE Jacket Parts

Fig. No.	Part No.	Description
1	383-500-135	Jacket front door
2	383-500-065	Boiler leg kit (4 Required)
3	383-500-320	Knurled heat screw for jacket front door (2 Required)
NS	383-500-180	Knurled heat screw clip-on receptacle (2 Required)
5	383-500-655	Air adapter assembly (Includes adapter, gasket and mounting bracket) (Ultra-80 & -105, 3" )
	383-500-145	Air adapter assembly (Includes adapter, gasket and mounting bracket) (Ultra-155, 3")
	383-500-150	Air adapter assembly (Includes adapter, gasket and mounting bracket) (Ultra-230 & -310, 4") 299, 399
6	560-900-001	Flue outlet pipe adapter (Ultra-80, -105, 3")
	383-500-656	Flue outlet pipe adapter (Ultra-155, 3")
	383-500-657	Flue outlet pipe adapter (Ultra-230, -310, 4") 299, 399
7	383-500-607	Top cover, front
8	383-500-608	Top cover, rear (Ultra-80 to -230)
	383-500-609	Top cover, rear (Ultra-310) 299, 399
9	383-500-610	Door Gasket replacement kit (not shown)
10	383-500-611	Handle (2 required)
	383-500-638	Electrical plug
	590-318-011	Flue sensor grommet
	592-800-022	3" Flue/Intake gasket, for 80, 105, 155
	592-800-023	4" Flue/Intake gasket for 230, 299, 310, 399
	590-318-007	70mm lower flue-way gasket for 80, 105
	590-318-003	80mm lower flue-way gasket for 155, 230
	590-318-004	100mm lower flue-way gasket for 299, 310, 399

## Ultra Series 3/UE (Ultra-80 and -105) Heat Exchanger and Piping

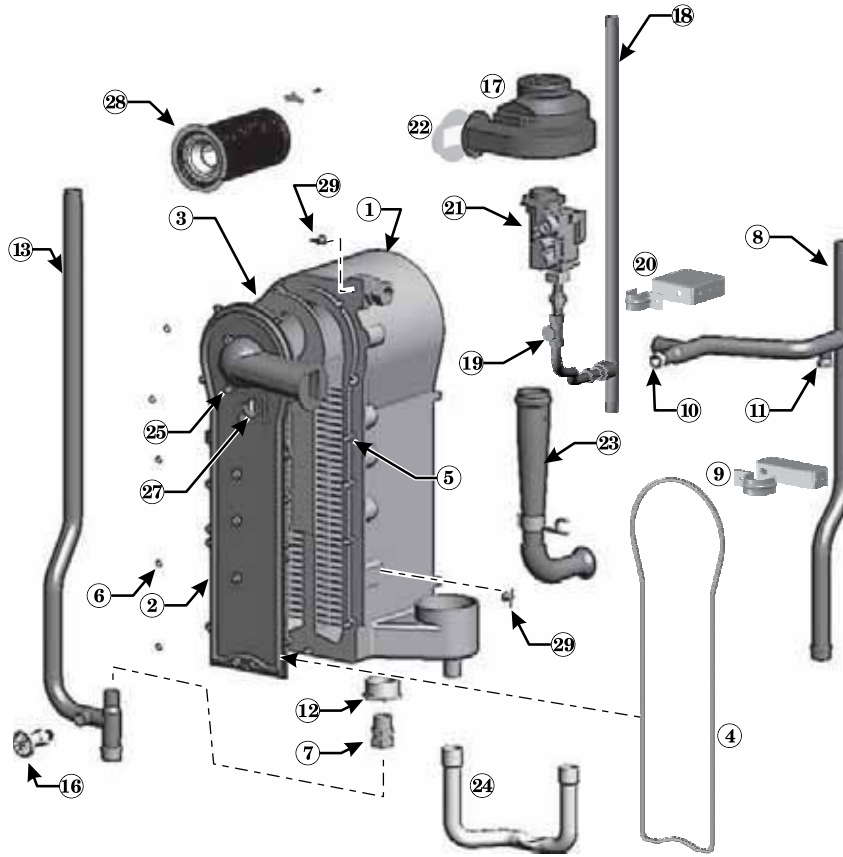


GAS

## Ultra Series 3/UE (Ultra-80 and -105) Heat Exchanger and Piping

Fig. No.	Part No.	Description	Boiler Models
1	383-500-612	Heat Exchanger Replacement Kit - (Includes: Heat Exchanger, Cover Plate, Burner, Electrode, Water Sensors, Compression Fittings, Condensate Fitting, Gaskets, and Hardware)	Ultra-80NG
	383-500-613		Ultra-80LP
	383-500-614		Ultra-105
2	383-501-022	Cover Plate Replacement Kit - (Includes: Cover Plate, Cover Plate Gasket, Burner Gasket, and Hardware)	80-105
3	591-200-000	Cover Plate Gasket/Insulation	80-105
4	590-300-000	Burner Gasket	80-105
5	560-340-598	Cover Plate Studs, M6, 1 Pitch	All
6	561-928-449	Cover Plate Nuts, M6, 1 Pitch	All
7	383-500-260	Water Compression Fitting, 28 mm	80-105
8	564-100-002	Water Compression Fitting, 22 mm	80-105
9	383-501-036	Supply Water Pipe Assembly - (Includes: Pipe, Temperature Well, Check Valve, Cap (Assembled) and Compression Fitting)	80-105
10	383-500-615	Supply Water Lower Pipe Clamp and Hardware	80-105
11	383-500-270	1/2" Npt Well For Temperature Gauge	All
12	383-500-275	Pressure/Temperature Gauge Check Valve	All
13	383-501-037	Return Water Pipe Assembly - (Includes: Pipe, Drain Valve, Cap (assembled) and Compression Fitting)	80-105
14	511-246-392	Boiler Drain Valve, 3/4" N.P.T.	All
15	383-501-027	Blower Assembly Kit - (Includes: Blower, Gasket, and Hardware)	80-105
16	560-907-682	Gas Pipe	80-105
17	383-500-616	Flexible Gas Line Section And Shut-Off Valve	80-105
18	383-500-617	Gas Pipe Lower Pipe Clamp And Hardware	80-105
19	383-501-029	Gas Valve/Venturi Kit - (Includes: Gas Valve, Venturi, 90° Elbow, Gaskets, and Hardware (Assembled) (For LP boilers, make sure to reinstall the existing propane orifice)	80
	383-501-030		105
20	590-317-310	Gasket Cork, For In Between Gas Valve Venturi and Burner Inlet	All
21	383-501-026	Air Silencer Kit - Air Silencer and Gasket	80-105
22	383-501-025	Air Silencer Adapter Kit - Air Silencer Adapter and Hardware	80-105
23	383-500-618	Condensate Trap Kit - Condensate Trap, Hose Clamps, Pvc Fittings, and Gasket	80-105
24	560-743-031	Air Inlet Adapter Drain Tube	80-105
25	383-500-045	Ignition Electrode Kit - Ignition Electrode, Suppressor, Gasket, and Hardware	All
NS	383-500-619	Ignition Cable Kit - Ignition Cable, Suppressor, and Wire Tie	All
27	383-500-020	Inspection Glass Kit - Bracket, Glass, Gasket and Hardware	All
28	383-501-032	Burner Replacement Kit - Burner, Gaskets and Hardware	Ultra-80NG
	383-501-033		Ultra-80LP
	383-501-034		Ultra-105
29	590-300-003	Gasket Rubber, Blower	80-105
30	561-200-000	Condensate Fitting	80-105
31	383-500-602	Return/Supply Sensor Kit - (1) Sensor	All
NS	383-600-009	Gas valve "O" ring, includes 10 "O" rings	All
NS	590-317-310	Cork gasket, goes between gas valve and blower	All

# Ultra Series 3/UE (Ultra-155 and -230) Heat Exchanger and Piping



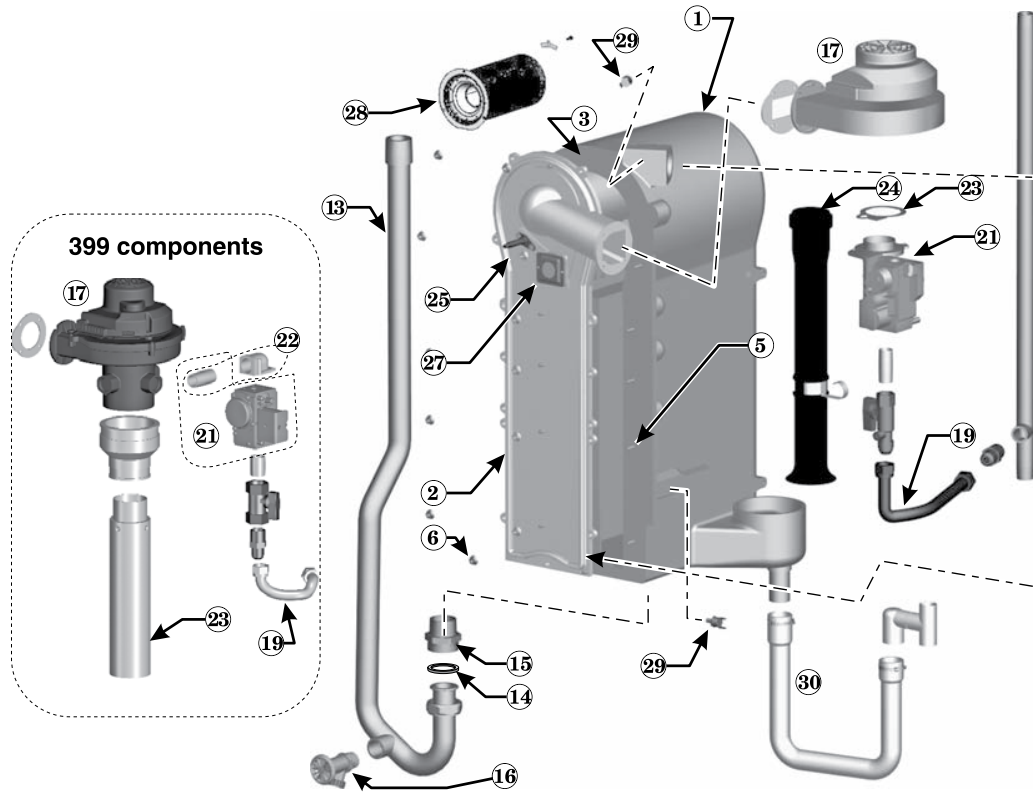
GAS



## Ultra Series 3/UE (Ultra-155 and -230) Heat Exchanger and Piping

Fig. No.	Part No.	Description	Boiler Model
1	383-500-621	Heat Exchanger Replacement Kit - (Includes: Heat exchanger, cover plate, burner, electrode, water sensors, compression fittings, condensate fitting, gaskets, and hardware)	155
	383-500-622		230
2	383-500-395	Cover Plate Replacement Kit - (Includes: Cover plate, cover plate gasket, burner gasket, and hardware)	155,230
3	383-500-250	Cover Plate Insulation	155,230
4	383-500-255	Cover Plate Gasket	155,230
5	560-340-598	Cover Plate Studs, M6, 1 pitch	All
6	561-928-449	Cover Plate Nuts, M6, 1 pitch	All
7	383-500-260	Water Compression Fitting, 28 mm	155,230
8	383-501-036	Supply Water Pipe Assembly - (Includes: Pipe, temperature well, check valve, cap (assembled) and compression fitting)	155,230
9	383-500-615	Supply Water Lower Pipe Clamp and Hardware	155,230
10	383-500-270	1/2" NPT well for temperature gauge	All
11	383-500-275	Pressure/Temperature Gauge Check Valve	All
12	383-500-280	Return Water Bushing, 1 1/4" BSP x 1" BSP (not use on Ultra-310)	155,230
13	383-500-285	Return Water Pipe Assembly - (Includes: Pipe, drain valve, cap (assembled) & compression fitting)	155,230
16	511-246-392	Boiler Drain Valve, 3/4" N.P.T.	All
17	383-500-035	Blower Assembly Kit - Blower, gasket, and hardware	155
	383-500-040		230
18	560-907-683	Gas Pipe	155,230
19	383-500-624	Flexible Gas Line Section And Shut-Off Valve	155,230
20	383-500-617	Gas Pipe Lower Clamp And Hardware	155,230
21	383-500-025	Gas Valve/Venturi Kit - (Includes: Gas valve, venturi, adapter block, O-ring and hardware (assembled) make sure to reinstall the existing propane orifice)	155
	383-500-030		230
22	590-317-310	Gasket Cork, for in between gas valve venturi & burner inlet	All
23	383-500-295	Air Silencer Kit - (Includes: Air silencer and gasket)	155,230
24	383-501-031	Condensate Trap Kit - (Includes: Condensate trap, hose clamps, PVC fittings, and gasket)	155
	383-500-060		230
25	383-500-045	Ignition Electrode Kit - (Includes: Ignition electrode, suppressor, gasket, and hardware)	All
NS	383-500-619	Ignition Cable Kit - (Includes: Ignition cable, suppressor, and wire tie)	All
27	383-500-020	Inspection Glass Kit - (Includes: Bracket, glass, gasket and hardware)	All
28	383-500-085	Burner Replacement Kit - (Includes: Burner, gaskets and hardware)	155
	383-500-090		230
29	383-500-602	Return/Supply Sensor Kit - (1) sensor	All
NS	383-600-009	Gas valve "O" ring, includes (10) "O" rings	All
NS	383-500-660	Burner screw/tab kit, includes 3 burner screws and 3 tabs	All
NS	590-318-006	Rubber gasket for inducer discharge to heat exchanger	All
NS	590-317-310	Cork gasket, goes between gas valve venture and blower	All
NS	561-326-828	Fitting, double nipple for supply/return,	Ultra-310

# Ultra Series 3/UE (Ultra-299, 310, 399) Heat Exchanger and Piping

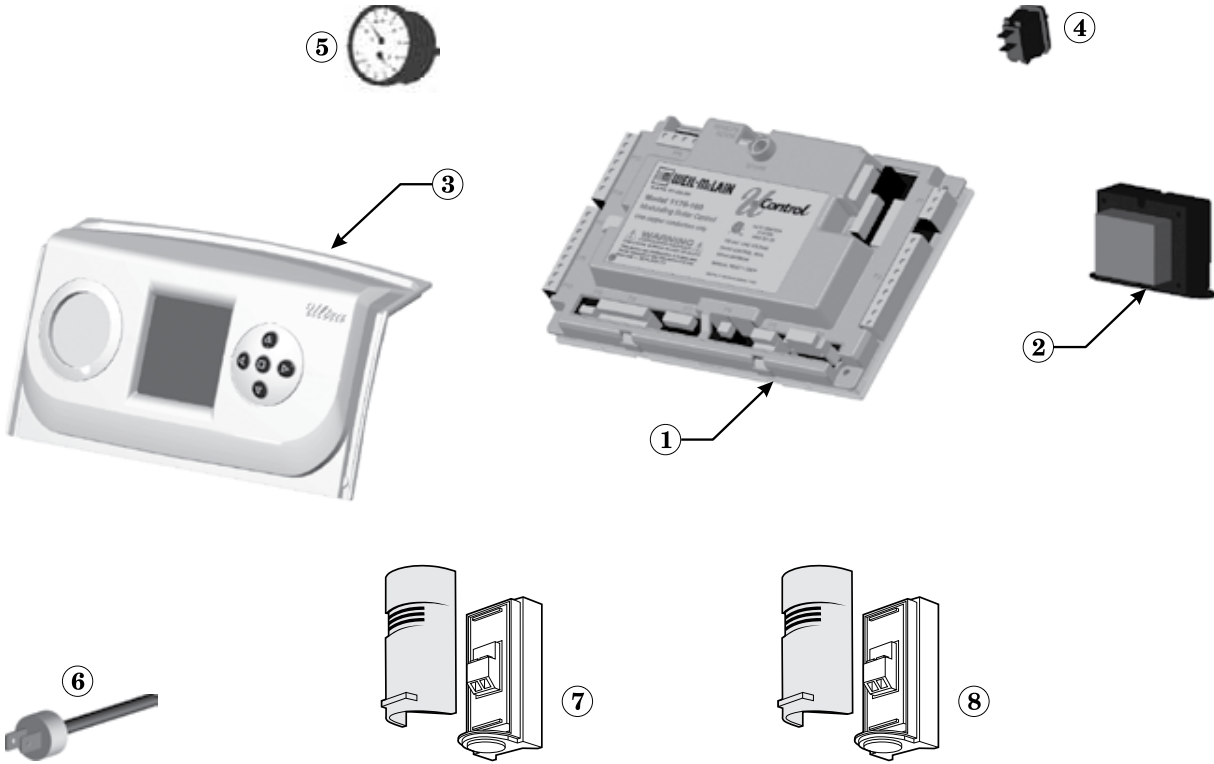


GAS

## Ultra Series 3/UE (Ultra-299, 310, 399) Heat Exchanger and Piping

Fig. No.	Part No.	Description	Boiler Model
1	383-500-623	Heat Exchanger Replacement Kit - (Includes: Heat exchanger, cover plate, burner, electrode, water sensors, compression fittings, condensate fitting, gaskets, and hardware)	299/399
2	383-500-395	Cover Plate Replacement Kit - (Includes: Cover plate, cover plate gasket, burner gasket, and hardware)	299/399
3	383-500-250	Cover Plate Insulation	299/399
4	383-500-255	Cover Plate Gasket	299/399
5	560-340-598	Cover Plate Studs, M6, 1 pitch	All
6	561-928-449	Cover Plate Nuts, M6, 1 pitch	All
8	383-500-380	Supply Water Pipe Assembly - (Includes: Pipe, temperature well, check valve, cap (assembled) & compression fitting)	299/399
10	383-500-270	1/2" N.P.T. Well For Temperature Gauge	All
11	383-500-275	Pressure/Temperature Gauge Check Valve	All
13	383-500-385	Return Water Pipe Assembly - (Includes: Pipe, drain valve, cap (assembled) & compression fitting)	299/399
14	562-248-743	Supply/Return Water Piping Square Cut EDPM Gasket	299/399
15	561-326-828	Fitting, Double Nipple For Supply/Return	299/399
16	511-246-392	Boiler Drain Valve, 3/4" NPT	All
17	383-500-360	Blower Assembly Kit - Blower, gasket, and hardware	299
	383-500-650		399
18	560-907-679	Gas Pipe	299/399
19	560-900-016	Flexible Gas Line Section And Shut-Off Valve	299
	383-500-653		399
20	383-500-625	Gas Pipe Lower Clamp And Hardware	299
21	383-500-390	Gas Valve/Venturi Kit - (Includes: Gas valve, venturi, adapter block, O-ring and hardware )(assembled) (For 310LP boilers, make sure to reinstall the existing propane orifice)	299
	383-500-652	Gas Valve Kit - (Includes: gas valve, venturi, and burner inlet)	399
22	383-500-651	Gas valve outlet adapter/nipple kit	399
23	590-317-310	Gasket Cork, for in between gas valve venturi & burner inlet	All
24	383-500-355	Air Silencer Kit - (Includes: Air silencer and gasket)	299
	383-500-654		399
25	383-500-045	Ignition Electrode Kit - (Includes: Ignition electrode, suppressor, gasket, and hardware)	All
	511-330-253	Ignition Electrode gasket Only or Ignition Electrode and gasket	
26	383-500-619	Ignition Cable Kit - (Includes: Ignition cable, suppressor, and wire tie)	All
27	383-500-020	Inspection Glass Kit - (Includes: Bracket, glass, gasket and hardware)	All
28	383-500-407	Burner Replacement Kit - (Includes: Burner, gaskets and hardware)	299
29	383-500-602	Return/Supply Sensor Kit - (1) sensor	All
30	383-500-626	Condensate Trap Kit - (Includes: Condensate trap, hose clamps, pvc fittings, and gasket)	299

# Ultra Series 3/UE Controls

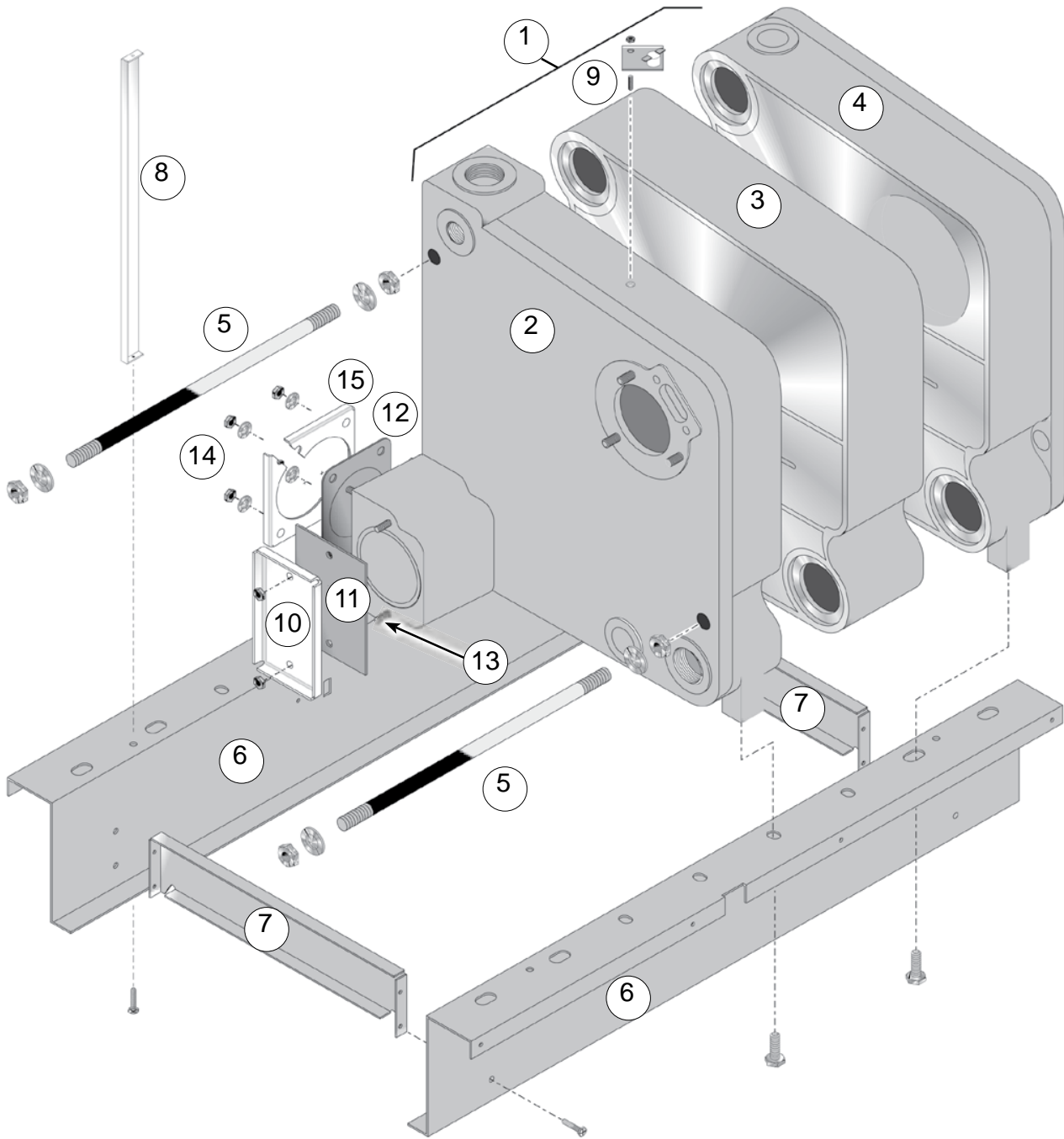


GAS

## Ultra Series 3/UE Controls

Fig. No.	Part No.	Description
1	383-500-658	Ultra U-Control Module
2	383-500-628	Transformer, 120v/24v
3	383-500-659	Display Board Assembly (Includes: plastic and display screen)
4	383-500-205	On/Off Power Switch
5	383-500-630	Pressure/Temperature Gauge Assembly (Includes: temperature and pressure sensor)
6	383-500-600	Flue Temperature Sensor Replacement Kit
7	383-500-601	System Temperature Sensors (2 Required)
8	510-312-218	Outdoor Temperature Sensor
NS	383-500-633	Display To U-Control Wire Harness
NS	383-500-634	Upper Line Voltage Wire Harness (Male)
NS	383-500-635	Lower Line Voltage Wire Harness (Female)
NS	383-500-636	Upper Low Voltage Wire Harness (Male)
NS	383-500-637	Lower Low Voltage Wire Harness (Female)
NS	383-500-638	120 Volt, 3-Wire Receptacle
NS	383-500-603	Ultra U-Control Module Fuses F - 3-amp, fast-blow ATO (5 fuses)
NS	383-500-604	Ultra U-Control Module Fuses F - 12-amp, slow-blow AG (5 fuses)
NS	383-500-641	Jumper For Low Voltage Terminal Blocks, (5 jumpers)
NS	383-500-642	Ultra U-Control Terminal Block Kit, (Includes: 1 high voltage terminal block, 6 low voltage terminal blocks, and U-control screwdriver)
NS	511-100-005	24-V LWCO Kit With Quick Connect Harness

# GV Series 4 Section Assembly



GAS

## GV Series 4 Section Assembly

Fig. No.	Part No.	Description	Model
1	322-200-280	Section Assembly, (Repair kit required)	GV-3
	322-200-281		GV-4
	322-200-282		GV-5
	322-200-283		GV-6
	382-200-391	Repair Kit, Section Assemblies (Includes: water tubing, pump to return, male adapter 1" N.P.T., blower flange gasket, ignitor, ignitor gasket, screws, studs, nuts, washers)	
2	312-200-150	Front Section 3913 (Repair kit required)	All
	382-200-301	Repair Kit, Front Section (Includes: square cut seals, silicone sealant, tie rod washers, water tubing, pump to return, male adapters 1" N.P.T., blower flange gasket, ignitor, ignitor gasket, screws, studs, washers, nuts)	
3	312-200-110	Intermediate Section 3915 (Repair kit required)	All
4	312-200-130	Back Section 3918 (Repair kit required)	All
	382-200-305	Repair Kit, Intermediate/back sections (Includes: square cut seals, silicone sealant, tie rod nuts, tie rod washers – (1) kit per joint)	
5	560-234-499	7/16" Tie rod without nut (2 per boiler) (10 ½")	GV-3
	560-234-525	7/16" Tie rod without nut (2 per boiler) (14")	GV-4
	560-234-503	7/16" Tie rod without nut (2 per boiler) (18")	GV-5
	560-234-504	7/16" Tie rod without nut (2 per boiler) (21")	GV-6
	561-928-235	Regular Hex Nut 7/16" (2 per Tie Rod)	All
	562-248-684	Washer Medium Plain Split Lock 7/16 (1 per Tie Rod)	All
6	452-100-170	Base Rail Leg	GV-3 & 4
	452-100-172		GV-5 & 6
7	452-100-080	Base Rail Brace	All
8	452-100-111	Blower Housing Support	All
9	382-200-375	Block Temperature Limit Switch Kit (open 350° close 200°)	All
10	560-907-629	Inspection Port Cover (Elmwood Sensor 2455RC 174-113 L350)	All
11	590-317-628	Inspection Port Gasket	All
12	590-317-629	Starter Tee Gasket	All
13	560-340-581	Stud 5/16" – 18 x 1.25	All
14	Obtain Locally	Hex nuts 4 each 5/16" with nylon lockseal, Washer, plain, 4 each 5/16"	All
15	699-999-029	Vent starter tee reinforcing plate sections (2)	All

## GV Series 4 Blower Assembly

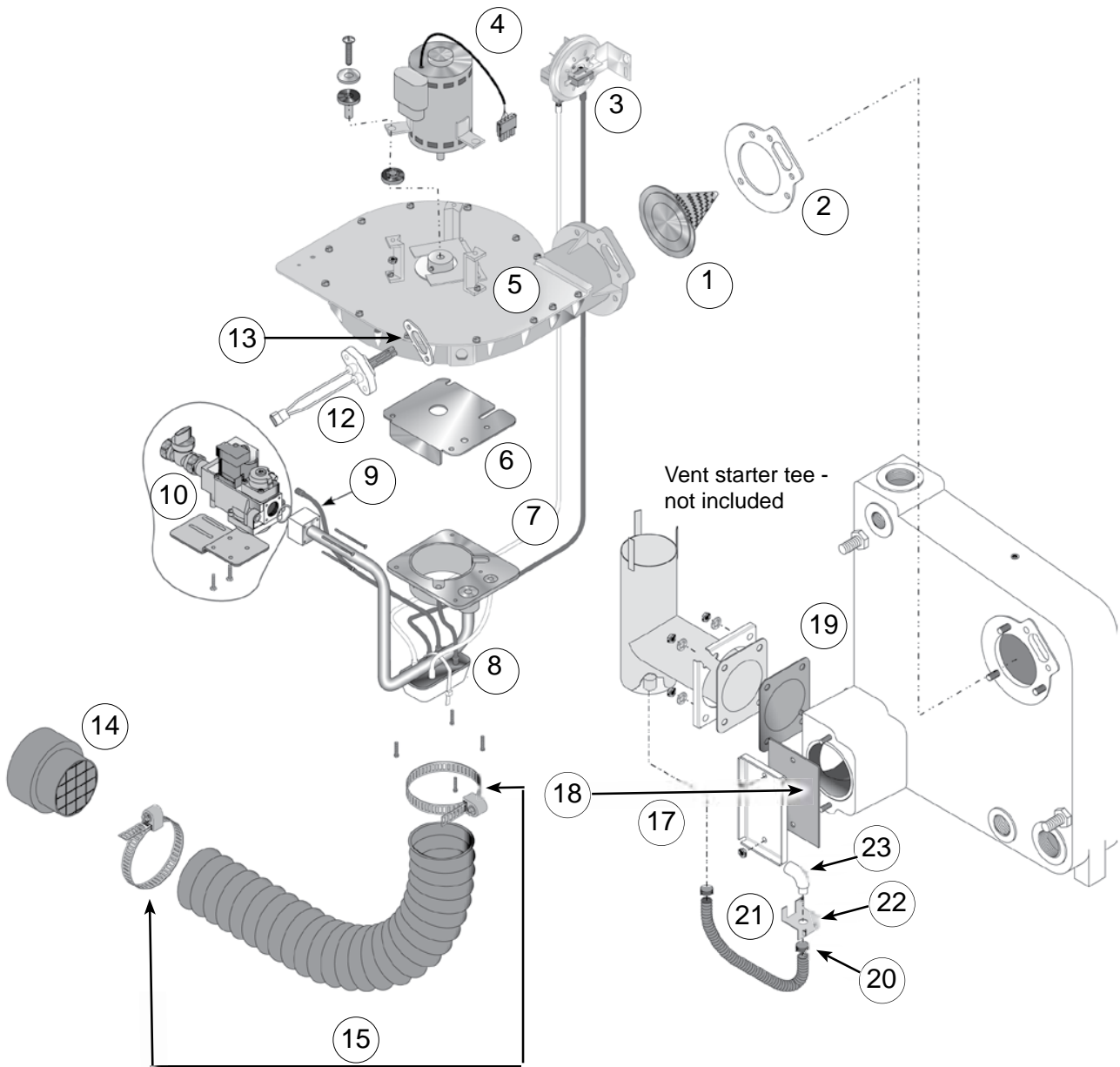


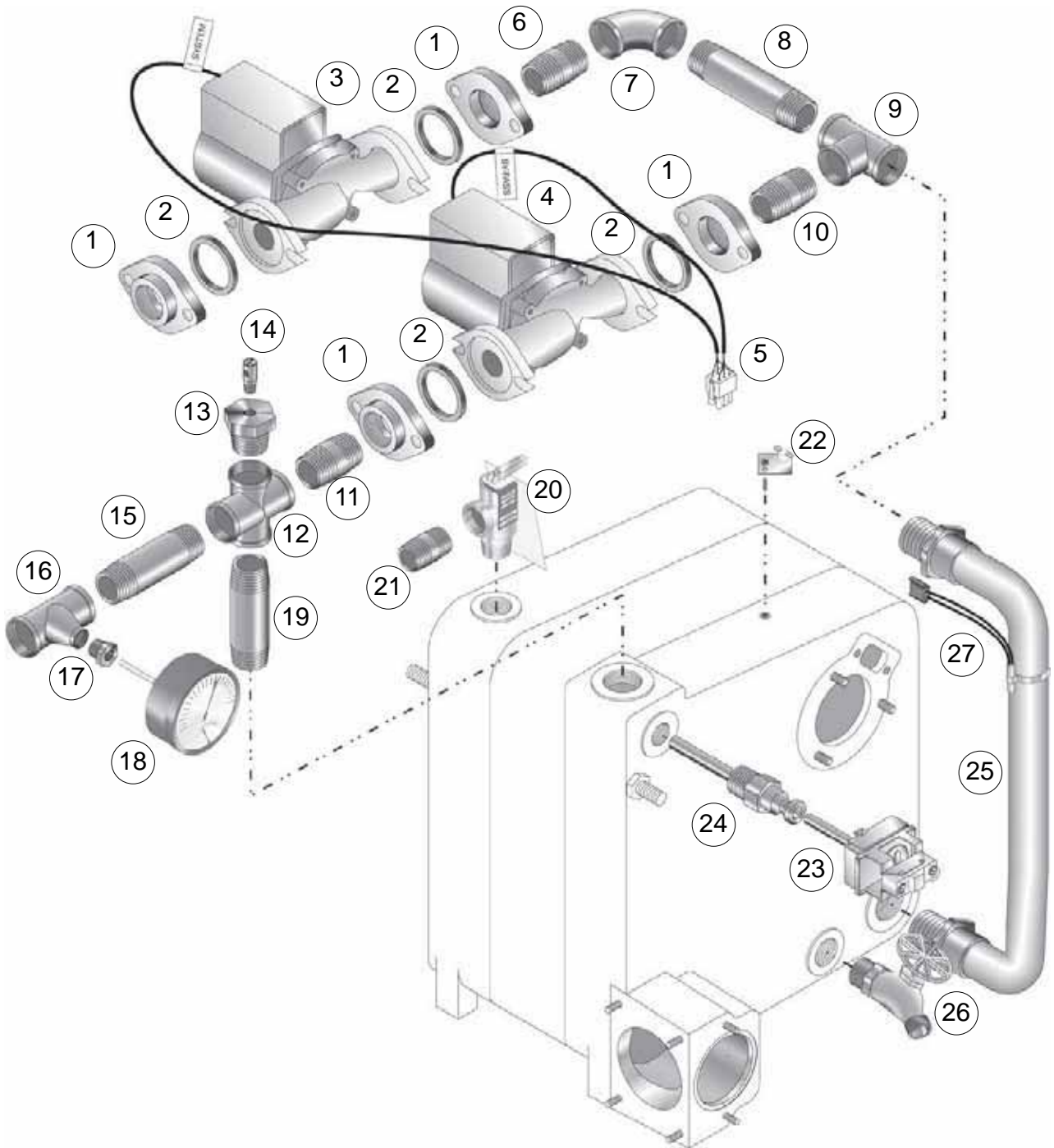
Fig. No.	Part No.	Description	Mfr.	Mfr's Part No.	Model
1	382-200-320	Burner replacement kit (Includes: burner cone and ring assembly, blower flange gasket, ignitor washers, ignitor gasket)	Weil-McLain		GV-3
	382-200-325		Weil-McLain		GV-4
	382-200-330		Weil-McLain		GV-5
	382-200-335		Weil-McLain		GV-6
2	590-317-610	Blower Flange Gasket	Weil-McLain		
3	511-624-520	Air Pressure Switch (0-5500' elevation)	Tridelta	F6330-527	
	382-200-317	Air Pressure Switch Kit – high altitude (5500 – 10,000' elevation)	Tridelta	F7008-1269	



## GV Series 4 Blower Assembly

4	382-200-345	Blower Motor Replacement Kit (Includes: blower motor, motor mount, grommets, screws, lock nuts, allen wrench)	Weil-McLain		
5	382-200-340	Blower Housing Assembly Replacement Kit (Includes: blower housing, observation port window, blower housing cover plate, blower motor mounting brackets, washer hold down bracket, lock nuts, motor mount grommets, blower motor (Fasco 716-2941), blower wheel, magnetic washer, silicone sealant, screws, blower flange gasket, ignitor, ignitor screws, ignitor washers, ignitor gasket)	Weil-McLain		
6	510-811-600	Conversion Kit, Natural to Propane (Includes: propane orifice plate, label)	Weil-McLain		GV-3
	510-811-605		Weil-McLain		GV-4
	510-811-610		Weil-McLain		GV-5
	510-811-615		Weil-McLain		GV-6
	510-811-620	Conversion Kit, Propane to Natural (includes orifice plate)	Weil-McLain		GV-3
	510-811-625		Weil-McLain		GV-4
	510-811-630		Weil-McLain		GV-5
	510-811-635		Weil-McLain		GV-6
7	382-200-362	Gas/Air Manifold Assembly (Includes: gas/air manifold, gas tubing, washers, screws and gas valve o-ring)	Weil-McLain		
8	382-200-409	Sense Line Condensate Kit (Includes: condensate trap, hoses)	Weil-McLain		
9	590-317-647	Gas Valve Tubing To Gas/Air Manifold	Weil-McLain		
10	382-200-411	Gas Valve Replacement Kit (Includes: gas valve, gas cock, ½" nipple, mounting bracket and gas valve o-ring)	Weil-McLain		
12, 13	511-330-148	Ignitor Replacement Kit (Includes: Ignitor, gasket)	Weil-McLain		
14	382-200-310	Inlet Air Fitting	Weil-McLain		
15	382-200-315	Kit, Inlet Air Hose And Two Clamps	Weil-McLain		
17	560-907-629	Inspection Port Cover	Weil-McLain		
18	590-317-628	Inspection Port Gasket	Weil-McLain		
19	590-317-629	Starter Tee Gasket	Weil-McLain		
20, 21	382-200-385	Hose Trap Replacement Kit (Includes: hose and 2 clamps)	Weil-McLain		
22	452-100-112	Drain Bracket	Weil-McLain		
23	560-907-650	Drain Ell	Weil-McLain		
	699-999-025	GV Starter Tee available through vent manufacturer's see GV venting supplement (for other manufacturer's, see venting supplement)	Saf-T Vent	73WM STXL	
	382-200-430	Vent/Air Intake Terminal Kit S.S. (Includes: intake/exhaust cap, coupling, mounting and backing plate, exhaust tube spacer, anchors, screws and washers)	Weil-McLain		
	382-200-406	Condensate Check Valve			
13	590-317-599	Ignitor Gasket	Weil-McLain		

# GV Series 4 Trim

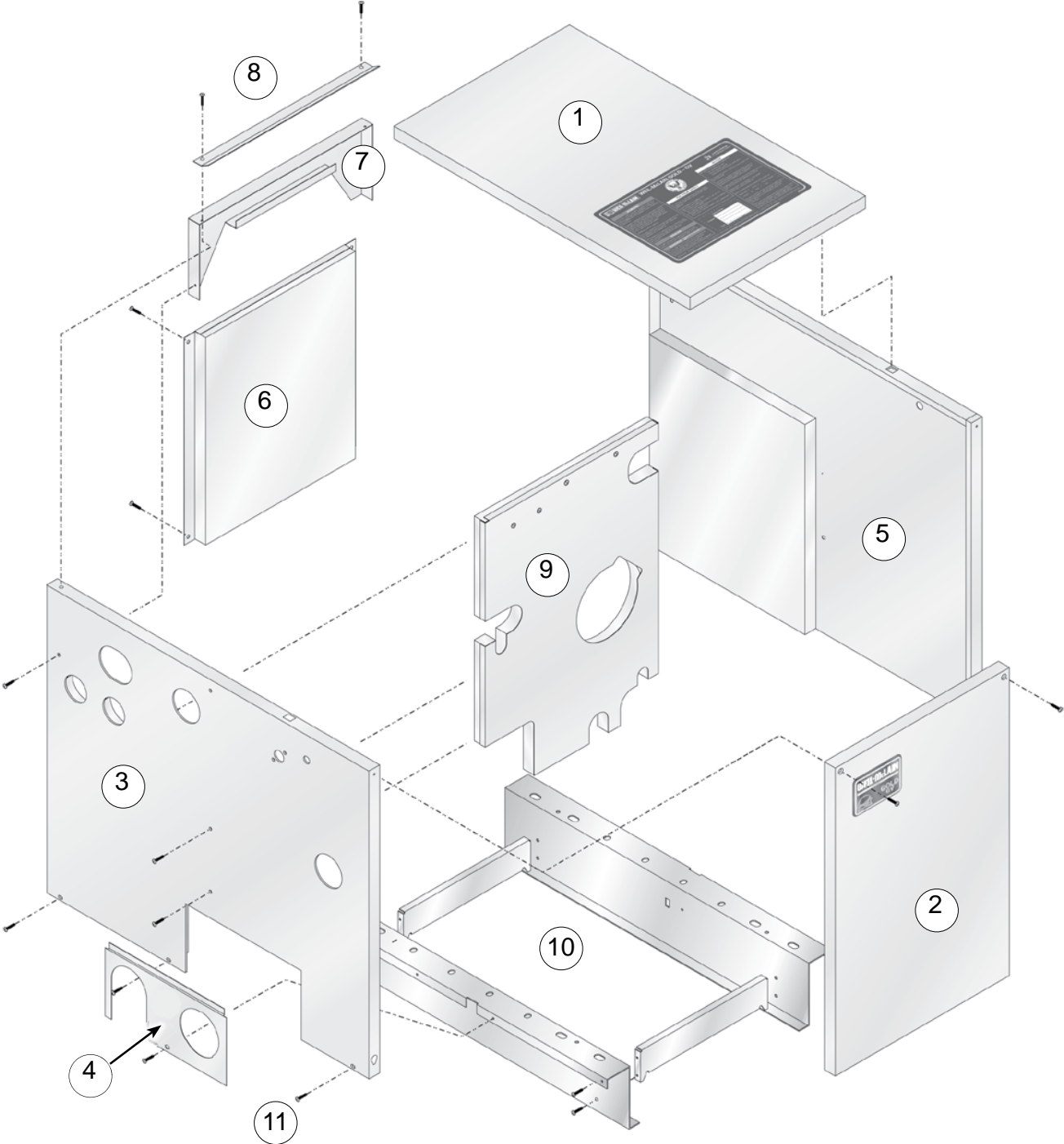


GAS

## GV Series 4 Trim

Fig. No.	Part No.	Description	Mfr.	Mfr's Part No.
1	381-354-525	1" Universal Hardware Kit (Includes: flange, gasket, screw, nuts)	Weil-McLain	
2	590-317-535	Universal Circulator Gasket	Weil-McLain	
3, 4	511-405-113	System And Bypass Circulator (1/25 HP, 120/60/1 Motor, 1,750 RPM)	Taco	007F
5	591-391-824	Wiring Harness, dual circulators to control module	Weil-McLain	
6	Available Locally	Nipple, black, 1" x close		
7	Available Locally	Elbow, black, 1"		
8	Available Locally	Nipple, black, 1" x 4 1/2"		
9	Available Locally	Tee, black, 1"		
10	Available Locally	Nipple, black, 1" x close		
11	Available Locally	Nipple, black, 1" x close		
12	Available Locally	Cross, black		
13	Available Locally	Bushing, black, 1" x 1/8"		
14	510-148-565	Coin vent, 1/8" N.P.T.	Keeny	#4SN
15	Available Locally	Nipple, black, 1" x 3"		
16	Available Locally	Reducing tee, black, 1" x 1" x 1/2"		
17	Available Locally	Bushing, black, 1/2" x 3"		
18	380-000-000	Combination Pressure-Temperature Gauge Kit, 60° - 360° F 0-75 PSI, 3 1/8" Dia, 1/4" N.P.T., Short shank, with 1/4" x 1/2" reducing bushing	Weil-McLain	
19	Available Locally	Nipple, black, 1" x 4"		
20	511-546-920	Pressure relief valve, 1/4" mail inlet, 30 PSIG	Watts	M330
21	Available Locally	Nipple, black, 1/4" x 3"		
22	382-200-375	Block Temperature Limit Switch Kit (Includes: bracket and switch)	Elmwood Sensor	2455RC-174-113
			Thermodisc	36T21style 22058
23, 24	510-315-021	High Limit Temperature Control, SPST, automatic recycle, 160-220°F 30°F fixed subtractive differential, 1/2" N.P.T. brass control well	Honeywell	L4080 D1226
25	560-742-938	Copper Return Bend, 1", requires 2-1" N.P.T. x 1" sweat adapters which can be obtained locally	Weil-McLain	
26	511-246-392	Drain Valve, 1/4" x 1 1/2" shank	Matco-Norca	
			Nibco	#74
27	511-330-089	Water Temperature Sensor And Clamp with 12" leads	Keystone Thermometrics	JW4465
			Universal Technology	JW4465
	510-632-088	Fill-Trol diaphragm expansion tank, (Tank only) with "O" ring and machine thread connection to fill valve	Amtrol	109
	510-632-089		Amtrol	110
	511-210-433	Fill valve, angle style-90°, with built-in strainer, pressure reducer, check valve, and manual shut-off	Conbraco	MX3907
	382-200-420	Fill-Trol package tank kit with fittings	Amtrol	109
	382-200-425		Amtrol	110

# GV Series 4 Jackets



GAS

## GV Series 4 Jackets

Fig. No.	Part No.	Description	Boiler Size
1	381-355-762	Top Panel	3
	381-355-769		4
	381-355-766		5
	381-355-770		6
2	381-355-764	Front Door Less Pocket	All
	422-200-139	Pocket For Front Door	All
3	381-355-763	Left Side Panel	3
	381-355-765		4
	381-355-767		5
	381-355-768		6
4	422-200-230	Left Side Panel Access	All
5	422-200-224	Right Side Panel	3, 4
	422-200-226		5, 6
6	422-200-135	Rear Panel	All
7	422-200-232	Top Rail Brace	All
8	422-200-137	Top Rail Cross Tie	All
9	422-200-228	Interior Panel	All
10		Base Rail Assembly Parts – See section assembly components	
11	569-928-025	Jacket Hardware Kit (Includes: plastic clips for top panel)	All
NS	592-000-000	Gold Touch Up Paint, spray can	All

*Note: All jacket panels come with appropriate labels.*

## Controls

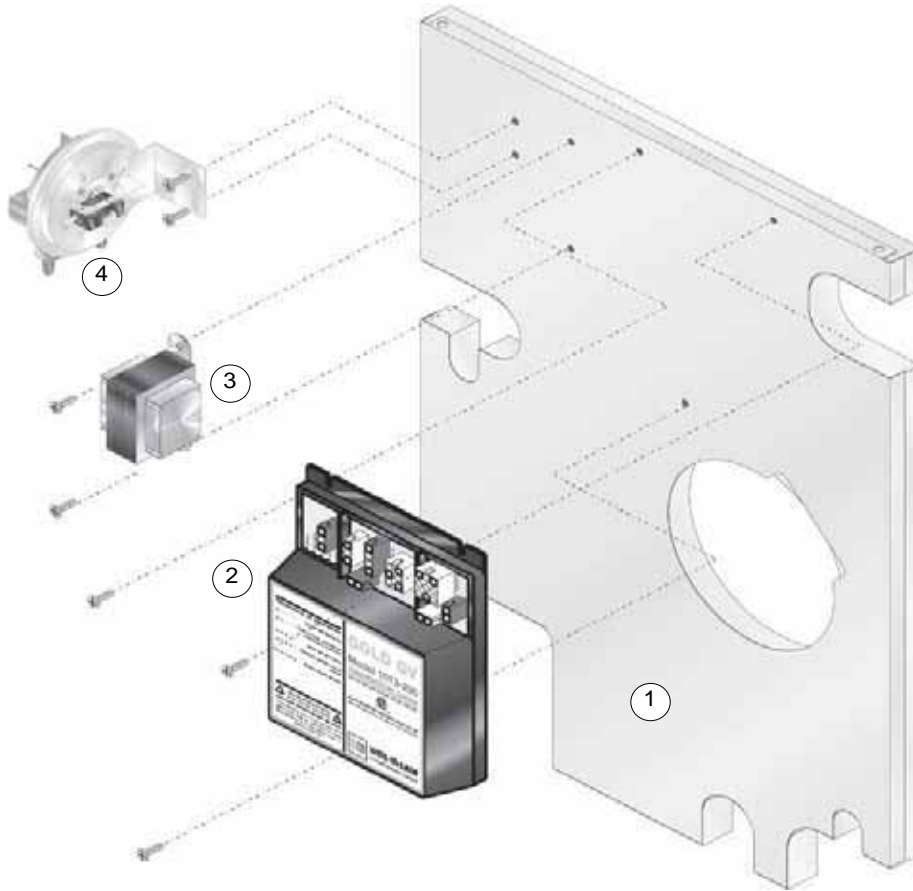


Fig. No.	Part No.	Description	Mfr.	Mfr's Part No.
1	422-200-137	Interior Control Panel Less Controls	Weil-McLain	
2	382-200-448	Gold Module Conversion Kit (Includes: UT module 1013-200)	Weil-McLain	
3	511-842-370	Control Transformer, 120/24 volt with plug-in connectors	Honeywell	AT40B1294
			Basler	BE111640GDD
			Products Unlimited	4000-01V18R223
4	511-624-520	Air Pressure Switch (0-5500' elevation)	Tridelta	PPS10139-2818
4	382-200-317	Air Pressure Switch (5,500 - 10,000 elevation) high altitude		
NS	591-391-891	Wiring Harness, control module to junction box	Weil-McLain	
NS	591-391-819	Wiring Harness, control module to hot surface ignitor	Weil-McLain	
NS	591-391-824	Wiring Harness, control module to system and by-pass circulators	Weil-McLain	
NS	591-391-919	Wiring Harness, control module to controls	Weil-McLain	

## CGT Section Assembly

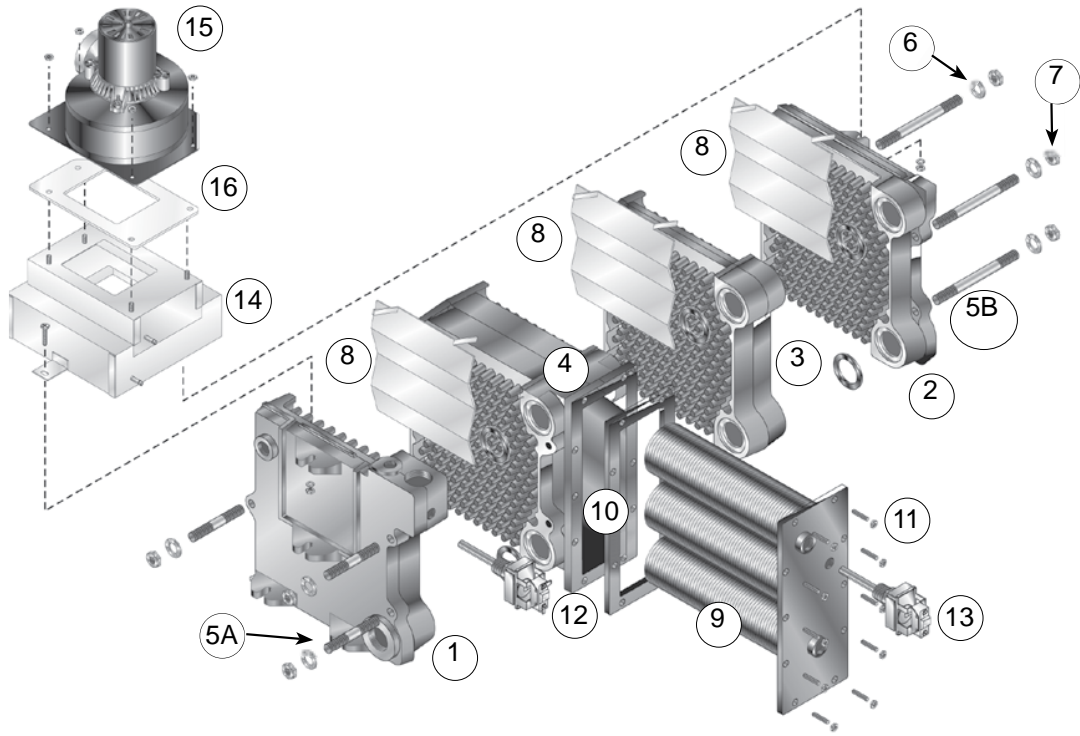


Fig.No.	Part No.	Description	Mfr.	Mfr's. Part No
1	311-103-830	End Section, left hand, 51124		
2	311-103-821	End Section, right hand, 51128		
3	311-103-818	Intermediate Section, 51125		
4	311-103-840	Intermediate Section for tankless		
NS	321-114-354	Replacement Section assembly		
NS	381-.54-527	Section Section Assembly		
5A	560-234-389	Tie rod, without nut 7/16" x 4.00 (Qty: 3)		
5B	560-234-395	Tie rod, without nut 7/16" x 6.50 (Qty: 3)		
6	562-248-684	Washer, 7/16" (1 per tie rod)		
7	561-928-235	Nut, 7/16" (1 per tie rod)		
8	460-003-700	Radiation Plate (1 per joint)		
9	590-921-920	Tankless Heater		
10	590-317-584	Gasket, tankless heater		
11	560-340-577	Stud and nut assembly 3/8" x 1 1/8", qty: 10 required		
12	510-312-250	High Limit, 30" differential, with well	Weil-McLain Honeywell	 L408D-1036
13	510-312-152	Tankless Heater low limit, 8" differential, with well	White-Rogers Weil-McLain Honeywell	 11B81-3  4080D-1044
14	450-020-497	Collector Hood and Transition Assembly		
15	381-354-587	Inducer Tan Assembly Kit (Includes: inducer fan assembly, gasket and nuts)		
16	590-317-627	Gasket, inducer		

## CGT Base Assembly

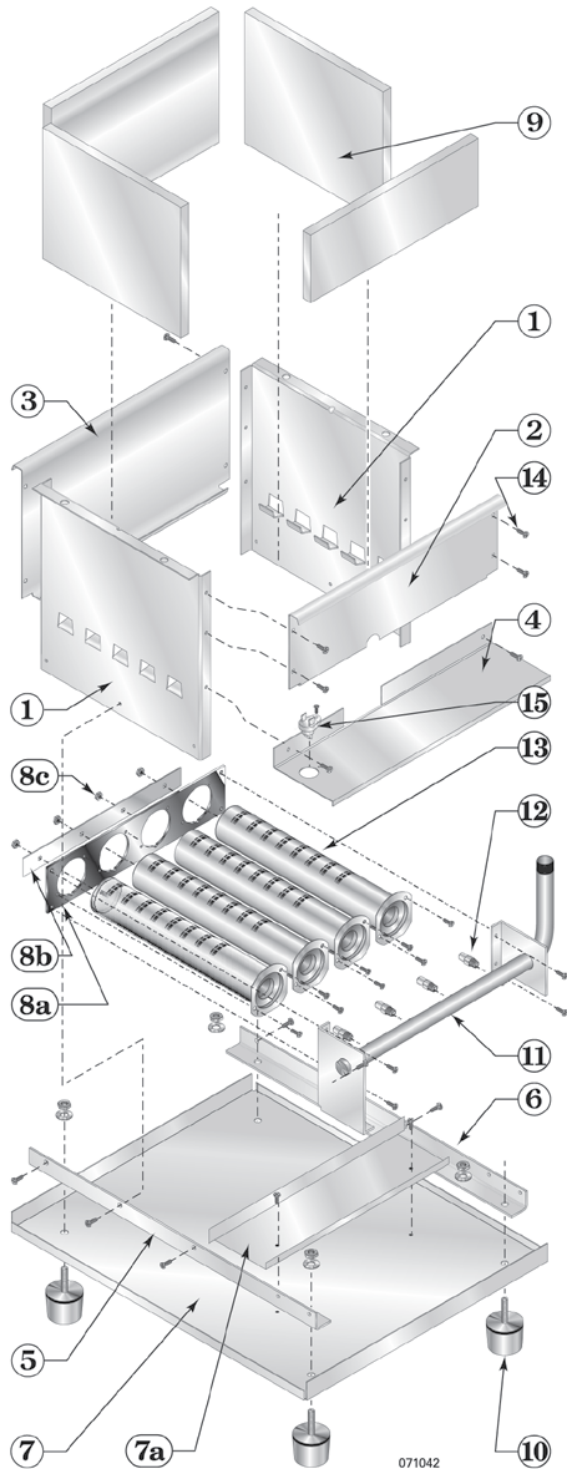


Fig. No.	Part No.	Description
		Base assembly kit (Includes: base side panel items 1 through 7A below)
1	381-354-339	Base side panel
2		Base front cross-tie assembly
3		Base back cross-tie assembly
4		Burner shield
5		Base pan angle, left side
6		Base pan angle, right side
7		Base pan
7A		Base pan air baffle
8A	450-003-692	Burner mounting plate
8B	550-320-162	Rear spacing strip
8C	Available Locally	Nut, HEX 5mm ZP
9	381-354-332	Base insulation kit
10	550-320-219	Boiler leg kit, 4 required
11	591-126-737	Manifold
12	560-529-077	Main burner orifice—Natural gas, 2.7mm
13	512-200-076	Burner CGT-5 has 4 burners
14	Available Locally	Screw, 10-32 x 0.38 STP type 23 hx, washer Hd slot
15	512-050-230	Rollout thermal fuse element
NS	560-529-078	LP Orifice, 1.65mm



## CGT Jacket Assembly

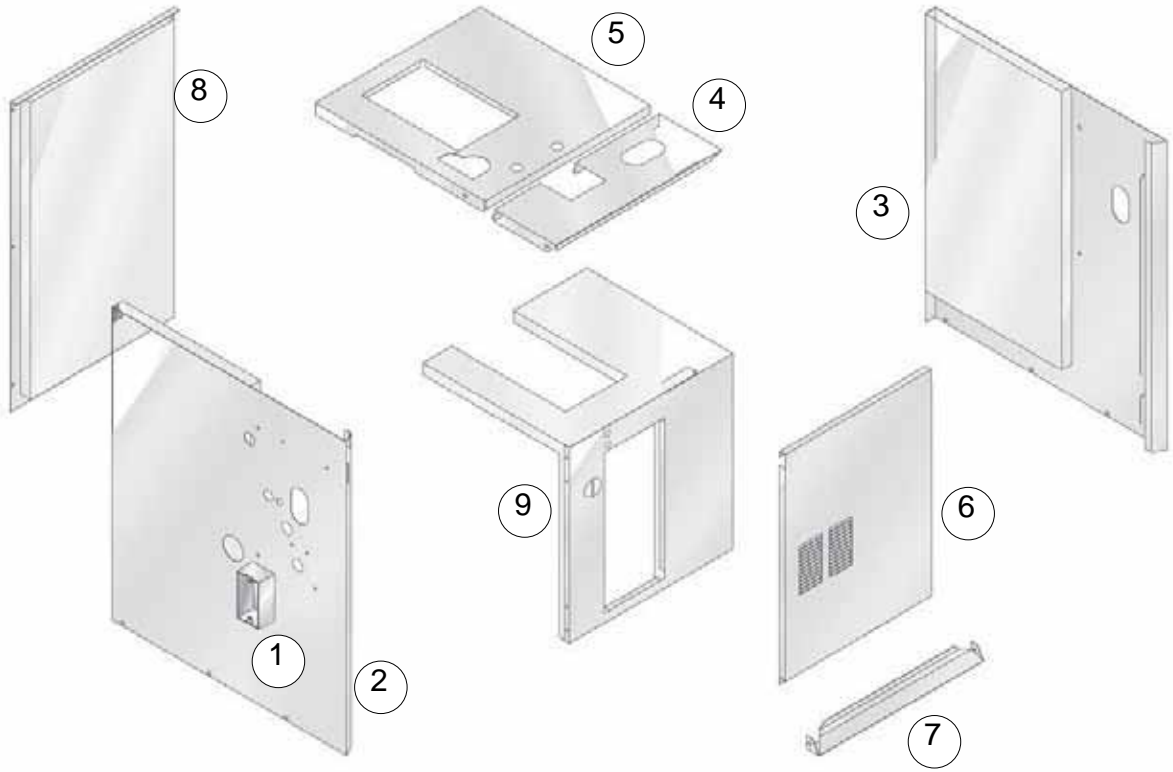


Fig.No.	Part No.	Description
1	Available Locally	Junction Box, 2 x 4 x 1.5
2	381-355-741	Jacket Panel, Left Side With Insulation
3	381-355-793	Jacket Panel, Right Side
4	431-223-420	Jacket Panel, Top Front
5	381-355-742	Jacket Panel, Top Rear
6	381-355-744	Jacket Panel, Door
7	431-223-327	Jacket Cross-Tie, Bottom Front
8	381-355-559	Jacket Panel, Rear
9	381-355-743	Kit Service Panel Interior Jacket Intermittent Pilot Natural Gas
NS	592-000-000	Gold Touch-Up Paint, Spray Can

# CGT Trim Assembly

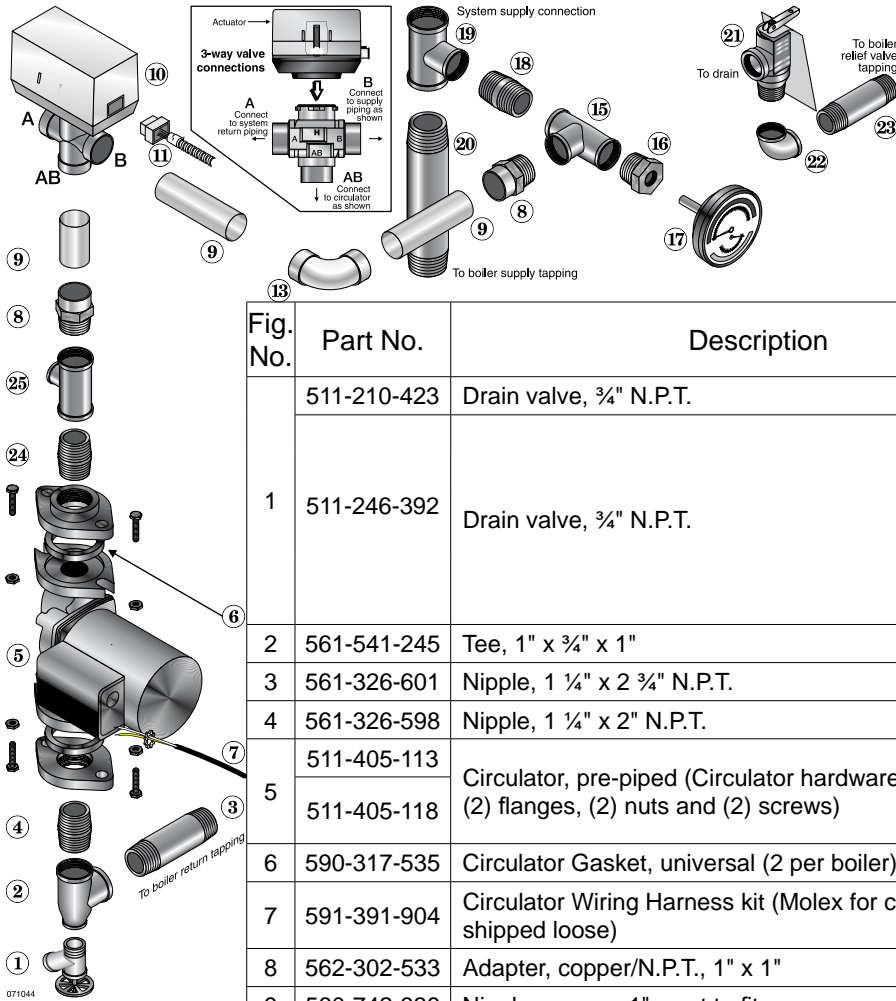


Fig. No.	Part No.	Description	Mfr.	Mfr's. Part No
1	511-210-423	Drain valve, 3/4" N.P.T.	Conbraco	31-606-01
	511-246-392	Drain valve, 3/4" N.P.T.	Nibco	#74
			Watts	BD-2C
			Hammond Viv	710
2	561-541-245	Tee, 1" x 3/4" x 1"		
	561-326-601	Nipple, 1 1/4" x 2 3/4" N.P.T.		
3	561-326-598	Nipple, 1 1/4" x 2" N.P.T.		
5	511-405-113	Circulator, pre-piped (Circulator hardware kit includes: (2) flanges, (2) nuts and (2) screws)	Taco	007
	511-405-118		B&G	NRF-22-103253
6	590-317-535	Circulator Gasket, universal (2 per boiler)		
7	591-391-904	Circulator Wiring Harness kit (Molex for control end shipped loose)		
8	562-302-533	Adapter, copper/N.P.T., 1" x 1"		
9	560-742-939	Nipple, copper, 1" x cut to fit		
10	635-100-023	3-way Valve Actuator	Honeywell	VC8710-11
	635-100-022	3-way Valve Body	Honeywell	VC2MS6100

11	591-391-950	Main Wire Harness controls to module (see wiring diagram for connections)		
13	561-115-303	Elbow, copper, 1"		
15	561-541-212	Tee, 1" x 1" x 1", N.P.T.		
16	560-807-350	Bushing, 1" x 1/2" N.P.T.		
17	380-000-000	Combination Pressure-Temperature Gauge kit, 60°-360°F 0-75 PSI, 3 1/8" Dia., 1/4" N.P.T., short shank with 1/4" x 1/2" reducing bushing	Weil-McLain	
18	561-326-500	Nipple, 1" closing		
19	561-541-248	Tee 1 1/4" x 1 1/4" x 1" N.P.T.		
20	561-326-625	Nipple, 1 1/4" x 6"		
21	511-546-920	Pressure Relief Valve, ASME, 30 PSIG, 3/4" male inlet (fittings shown are factory-installed on boiler)	Conbraco	10-407-10
	511-546-924	Pressure Relief Valve, ASME, 30 PSIG, 3/4" female inlet (fittings shown are factory-installed on boiler)	Watts	M330
			Conbraco	10-408-05
			Watts	535
22	561-115-295	Elbow, 3/4" N.P.T. pre-piped		
23	561-326-395	Nipple, 3/4" pre-piped		
24	561-326-500	Nipple, 1" x close N.P.T.		
25	561-541-216	Tee, 1" x 1" x 1/2" N.P.T.		
NS	511-210-458	Domestic mixing valve, 3/4" sweat connections	Honeywell	AM 101 C-US-1
NS	511-246-398	3-way valve repair kit (Includes: new valve plunger and wrench)		

## CGT Gas Control Assembly

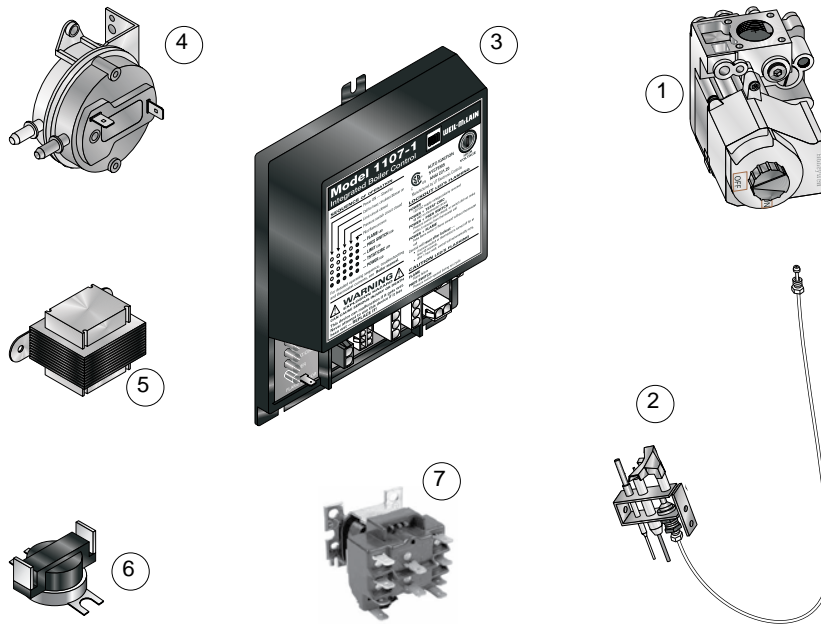


Fig.No.	Part No.	Description	Mfr.	Mfr's. Part No
<b>Natural Gas Parts</b>				
1	511-044-381	Gas valve, 1/2" x 1/2"	Honeywell White-Rodgers	VR8204A2001 36E36-266
2	511-330-080	Pilot knife with orifice & aluminum pilot gas tubing		
3	511-330-090	Control Module	United Technologies	1107-1
4	511-624-542	Air pressure switch, 1.53" w.c.	Tri-Delta	
5	511-842-370	Control transformer	Honeywell	AT140B1297
6	540-130-401	Ambient temperature switch (bracket not shown); 135F, automatic reset	Therm-O-Disc	60T21 314367
7	510-311-019	Control relay DPDT 24V	Honeywell	R8222D1014
NS	590-317-650 590-317-651	Tubing, air pressure switch, 0.12 ID silicone red, to collector hood white to transition	Lydall	
NS	381-356-574	CGt 3-way Valve conversion kit (Includes: relay, wire harness and instructions) older unit prior to CP5952944 to prevent ghost flow		
<b>LP Gas Parts</b>				
1	511-044-354	Gas Valve LP 1/2"	Honeywell	VR8204M2701
2	511-330-081	Pilot Assembly, LP orifice, Tubing, spark and sense	PSE	LP231
	591-391-950	Wiring harness after February 2009		

## CGs Section Assembly

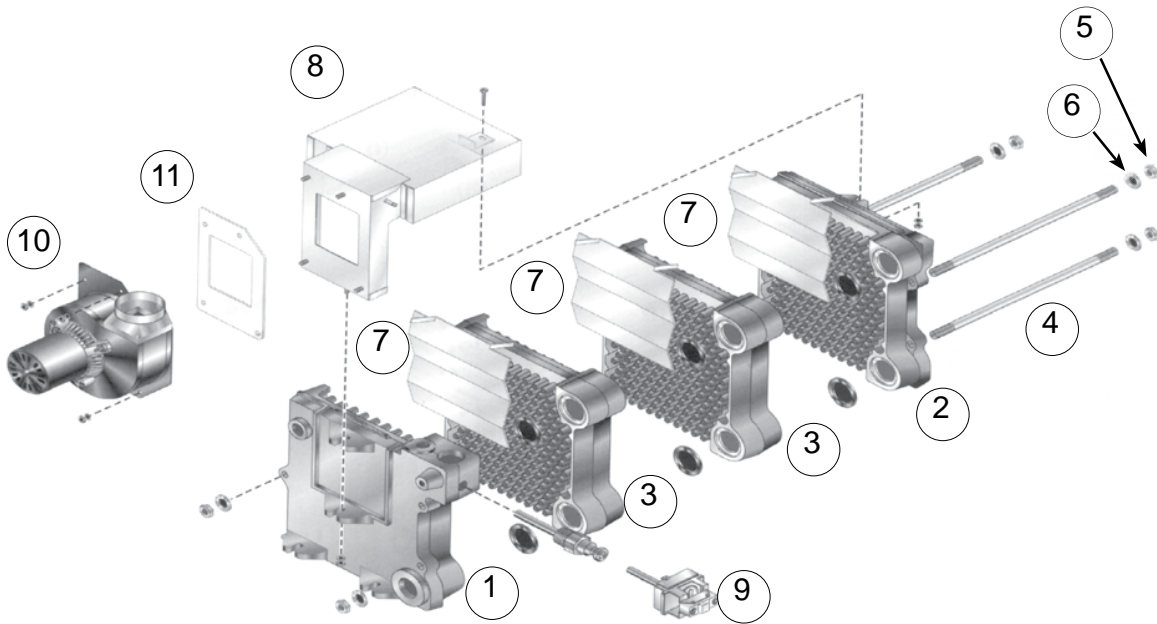


Fig. No.	Part No.	Description	Mfr.	Mfr.'s Part No.	Boiler Size
1	311-103-851	End Section, left hand, cast #51124	Weil-McLain		All
2	311-103-821	End Section, right hand, cast #51128	Weil-McLain		All
3	311-103-818	Intermediate Section, cast #51128	Weil-McLain		All
NS	321-114-286	Replacement Section Assembly	Weil-McLain		3
	321-114-287		Weil-McLain		4
	321-114-288		Weil-McLain		5
	321-114-289		Weil-McLain		6
	381-354-527	Section Replacement Kit (Includes: seals and sealant for (1) joint)	Weil-McLain		All
4	560-234-500	Tie Rod, 7/16" x 9" without nut (3 per boiler)	Weil-McLain		3
	560-234-501	Tie Rod, 7/16" x 12" without nut (3 per boiler)	Weil-McLain		4
	560-234-502	Tie Rod, 7/16" x 15" without nut (3 per boiler)	Weil-McLain		5
	560-234-503	Tie Rod, 7/16" x 18" without nut (3 per boiler)	Weil-McLain		6
5	561-928-235	Nut, 7/16" (2 per tie rod)	Weil-McLain		All
6	562-248-684	Washer, lock 7/16" (1 per tie rod)	Weil-McLain		All
7	460-003-700	Radiation plate (1 per joint)	Weil-McLain		All
8	381-354-590	Collector Hood and Transition Assembly	Weil-McLain		3
	381-354-591		Weil-McLain		4
	381-354-592		Weil-McLain		5
	381-354-593		Weil-McLain		6
9	510-312-250	High Limit 30° subtractive differential with well	Honeywell	L4080D-1036	All
			White-Rogers	11B81-3	
10	381-356-499	Inducer Fan Assembly Kit (Includes: inducer, fan assembly, gasket and nuts)	Fasco	7021-10410	All
				7062-5326	
11	590-317-627	Gasket, inducer terminator	Weil-McLain		All
NS	382-200-430	Vent/Air-Intake Kit (Includes: intake/exhaust cap, coupling, mounting & backing plate and hardware)	Weil-McLain		All

# NOTES

## CGs Base Assembly

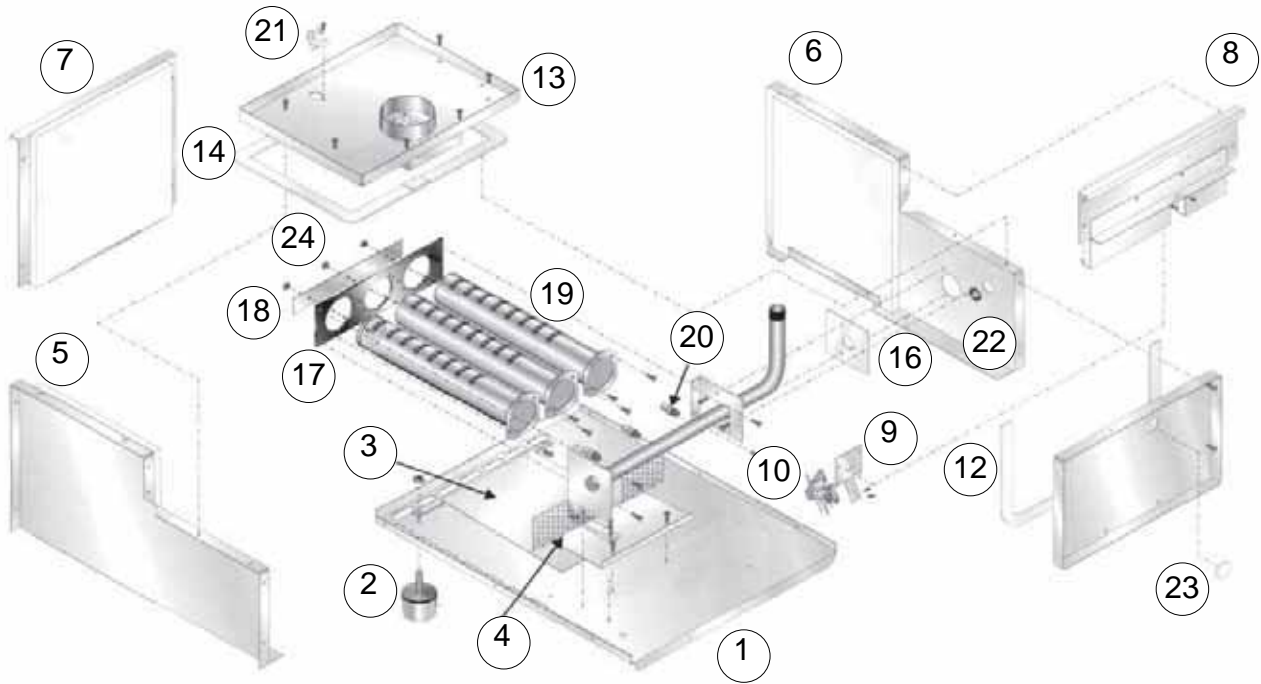


Fig. No.	Part No.	Description	Boiler Size
	381-356-515	Base Insulation Kit (Includes: insulation for all base parts plus gasket material needed between block assembly and base)	3
	381-356-516		4
	381-356-517		5
	381-356-518		6
	381-356-522	Base Insulation Kit (Includes: 1, 2, 3, 4, 5, 6, 7, 8, 11, 13 plus insulation air box and hard wires)	3
	381-356-523		4
	381-356-524		5
	381-356-525		6
	381-356-501	Inlet Air Box Top Panel Kit (Includes: inlet air box top panel and inlet air box top panel gasket)	3
	381-356-502		4
	381-356-503		5
	381-356-504		6
	381-356-508	Inlet Air Box Front Panel Kit (Includes: Inlet air box front panel and Inlet air box front panel gasket)	3
	381-356-509		4
	381-356-510		5
	381-356-511		6
1	N/A	Base Pan (in base assembly)	All
2	550-320-219	Boiler Leg Kit	All
3	N/A	Heat Shield (in base assembly)	All
4	N/A	Burner Baffle (in base assembly)	All

## CGs Base Assembly

5	N/A	Base Left Side Panel (in base assembly)	All
6	N/A	Base Right Side Panel (in base assembly)	All
7	N/A	Base Back Panel (in base assembly)	All
8	N/A	Base Front Cross-Tie Assembly	All
9	450-003-689	Pilot Bracket	All
10	511-330-080	Pilot Burner Assembly – Natural Gas	All
	511-330-081	Pilot Burner Assembly - LP Gas	All
	N/A	Inlet Air Box Front Panel (In inlet air box front panel kit)	All
12	N/A	Inlet Air Box Front Panel Gasket (Use air inlet box gasket)	All
13	N/A	Inlet Air Box Top Panel (In inlet air box top panel kit)	All
14	N/A	Inlet Air Box Top Panel Gasket (Use air inlet box gasket)	All
	590-317-399	Air Inlet Box Gasket (8' long, must be cut to length)	All
	591-126-722	Manifold	3
	591-126-723		4
	591-126-724		5
	591-126-725		6
16	590-317-406	Manifold Mounting Gasket	All
17	450-003-690	Burner Mounting Panel	3
	450-003-691		4
	450-003-692		5
	450-003-693		6
18	550-320-160	Rear Spacer Strip	3
	550-320-161		4
	550-320-162		5
	550-320-163		6
19	512-200-076	Burner	All
20	560-529-077	Burner orifice – Natural gas, seal level 2.7mm	All
	560-529-078	Burner orifice – LP gas, seal level 1.65mm	All
21	512-050-230	Thermal Fuse Element, 229°C	All
22	591-850-064	Grommet for sealing pilot tubing/wiring opening to combustion air box	All
23	591-491-216	Inspection Port Clear Plug	All
24	Purchase Locally	HEX Nut For Burner End Stud (5mm)	

Number of burners

CGs-3: 2 burners, CGs-4: 3 burners, CGs-5: 4 burners, CGs-6: 5 burners

## CGs Trim

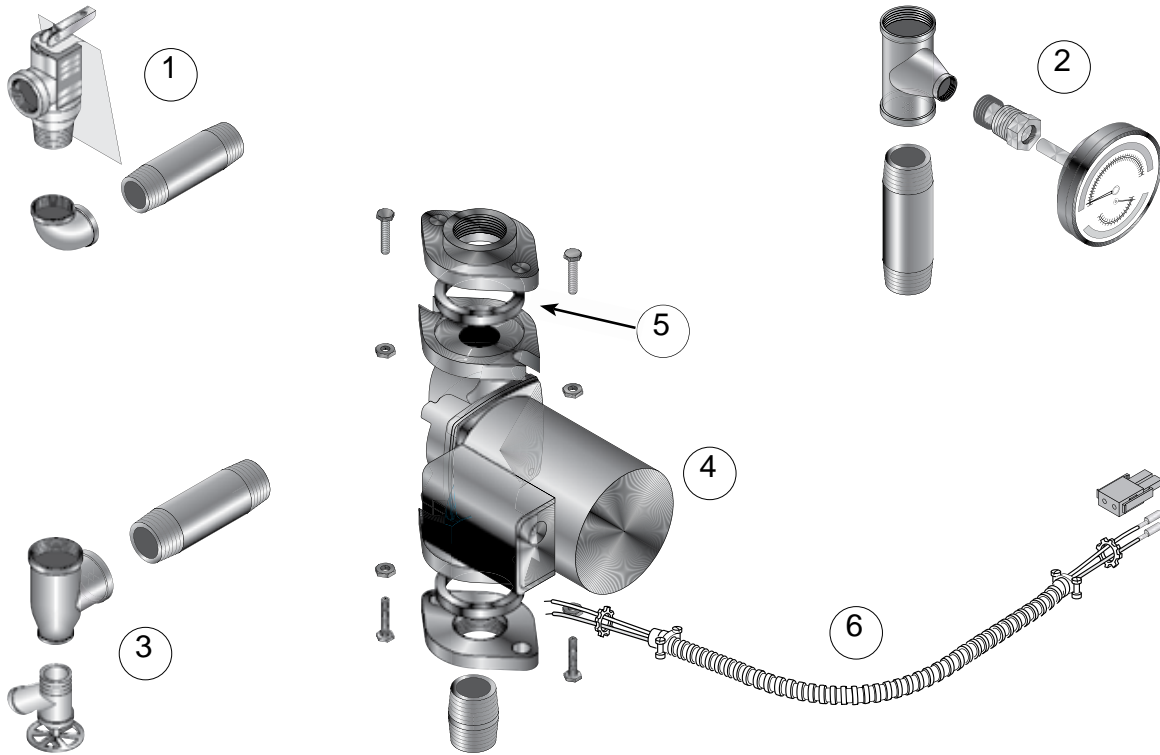


Fig. No.	Part No.	Description	Mfr.	Mfr.'s Part No.	Boiler Size
1	511-549-920	Pressure Relief Valve, ASME, 30 PSIG, 3/4" male inlet*	Conbraco	10-407-10	All
	511-546-924	Pressure Relief Valve, ASME, 30 PSIG, 3/4" female inlet*	Watts	M330	All
2	380-000-000	Combination Pressure-Temperature Gauge Kit, 60°-360°F 0-75 PSI, 3 1/8" Dia., 1/4" N.P.T., short shank with 1/4" x 1/2" reducing bushing	Conbraco	10-408-5	All
			Watts	335	
3	511-210-423	Drain Valve 3/4"*	Conbraco	31-606-01	All
	511-246-392	Drain Valve 3/4"*	Matco-Norca		All
			Nibco	74	
4	511-405-113	Circulator*	Taco	007	All
5	590-317-535	Circulator Gasket, universal (2 per boiler)	Weil-McLain		All
NS	381-354-525	Circulator Hardware Kit (Includes: (1) flange, (1) gasket, (2) nuts, (2) screws) 1" N.P.T.	Weil-McLain		3, 4, 5
NS	381-354-526	Circulator Hardware Kit (Includes: (1) flange, (1) gasket, (2) nuts, (2) screws) 1 1/4" N.P.T.	Weil-McLain		6
6	381-356-528	Circulator Wiring Harness Kit with Molex (loose)	Weil-McLain		All

\* Pipe fittings available locally



## CGs Gas Controls

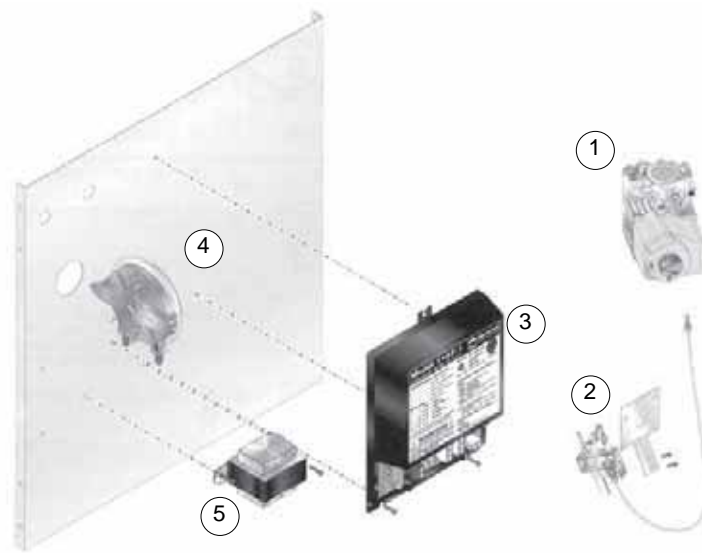


Fig. No.	Part No.	Description	Mfr.	Mfr.'s Part No.	Boiler Size
<b>Natural Gas Components</b>					
1	381-356-532	Gas Valve, ½" x ½" with hose barb (replacement kit)	Honeywell	VR8204A-2019	All
2	511-330-080	Pilot Assembly Kit with orifice and aluminum pilot gas tubing	PSE	PSE-NA231	All
<b>Propane Gas Components</b>					
1	381-359-533	Gas Valve, ½" x ½" with hose barb (replacement kit)	Honeywell	VR8204M-2719	All
2	511-330-081	Pilot Assembly Kit with orifice and aluminum pilot gas tubing	PSE	PSE-LP231	All
<b>Natural Gas and Propane Components</b>					
3	511-330-090	Control module with 10 second pre-purge	United Technologies	1107-1	All
	591-391-894	Wiring Harness	Weil-McLain		All
4	511-624-401	Air Pressure Switch 0' to 1999', 1.79" W.C.	Tri-Delta	PPS10171-3013	3
	511-624-402	Air Pressure Switch 0' to 1999', 1.48" W.C.	Tri-Delta	PPS10171-3014	4
	511-624-403	Air Pressure Switch 0' to 1999', 1.22" W.C.	Tri-Delta	PPS10171-3015	5
	511-624-404	Air Pressure Switch 0' to 1999', .95" W.C.	Tri-Delta	PPS10171-3016	6
5	511-842-370	Control Transformer, 24volt, sec. 40 VA	Honeywell		All
	511-842-370	Control Transformer, 24volt, sec. 40 VA	Basler Elec.	BE111640GDD	
NS	590-317-650	Tubing, air pressure switch, 1/8" I.D. x 15" Silicone, red to collector hood	Weil-McLain		All
NS	590-317-651	Tubing, air pressure switch, 1/8" I.D. x 17" Silicone, white to transition	Weil-McLain		All
NS	510-811-096	Natural to LP conversion kit (CGs 3-6)			All
NS	510-811-097	LP to Natural conversion kit (CGs 3-6)			All

## CGs Jackets

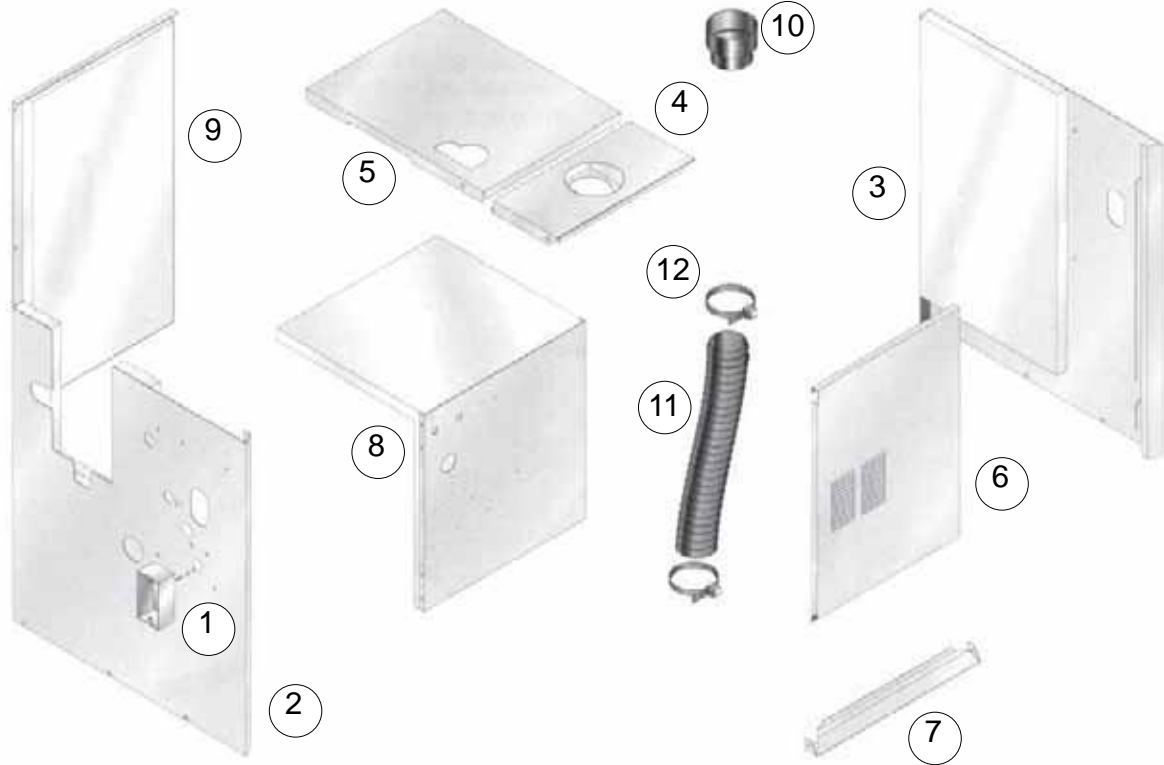
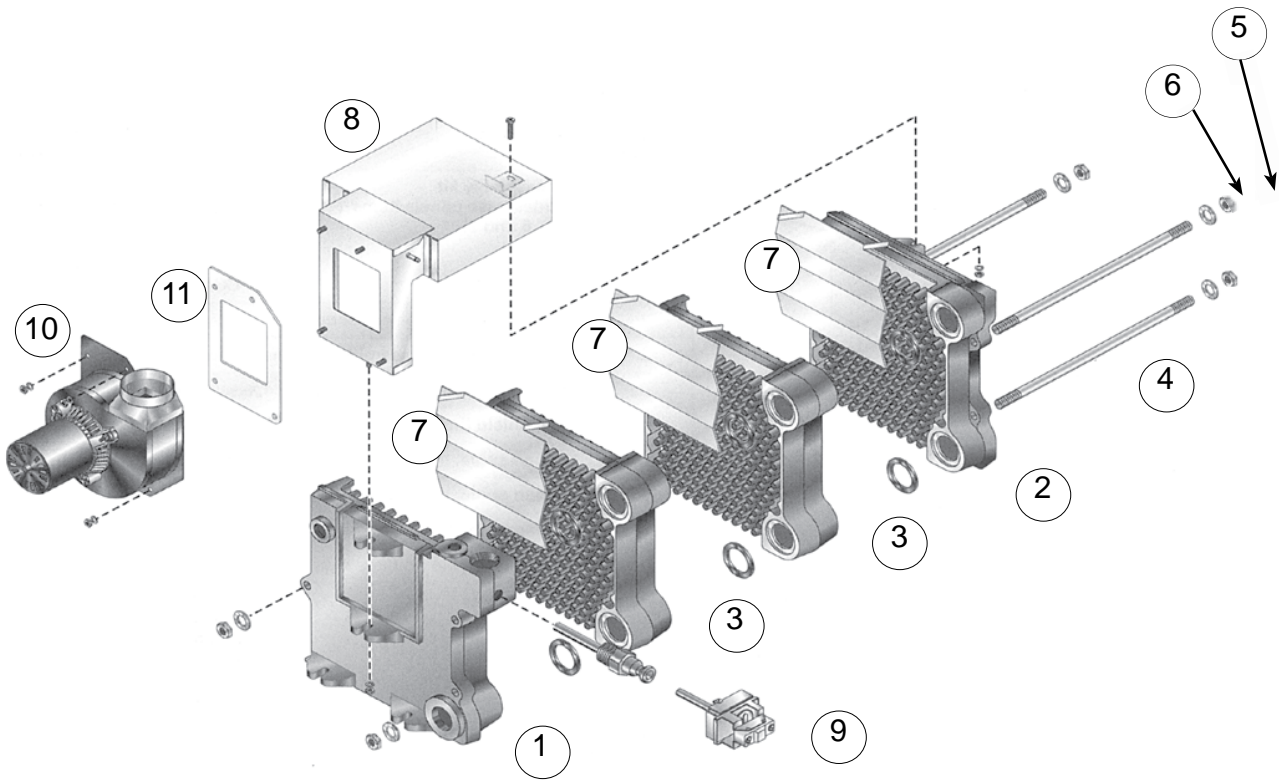


Fig. No.	Part No.	Description	Boiler Model
1	Available Locally	Junction box, 2 x 4	CGs-3
			CGs-4
			CGs-5
			CGs-6
2	381-355-701	Panel, left side, with insulation (Natural Gas)	CGs-3
	381-355-708		CGs-4
	381-355-815		CGs-5
	381-355-722		CGs-6
	381-355-729	Panel, left side, with insulation (Propane Gas)	CGs-3
	381-355-732		CGs-4
	381-355-735		CGs-5
	381-355-738		CGs-6
3	381-355-760	Panel, right side, with insulation	CGs-3
	381-233-311		CGs-4
	381-355-793	Panel, right side, with insulation	CGs-5
			CGs-6

## CGs Jackets

4	431-223-345	Panel, top front, with insulation	CGs-3
	431-223-346		CGs-4
	431-223-347		CGs-5
	431-223-348		CGs-6
5	381-355-706	Panel, top rear, with insulation	CGs-3
	381-355-713		CGs-4
	381-355-720		CGs-5
	381-355-727		CGs-6
6	381-355-707	Panel, door	CGs-3
	381-355-714		CGs-4
	381-355-721		CGs-5
	381-355-728		CGs-6
7	431-233-325	Cross tie, bottom front	CGs-3
	431-223-326		CGs-4
	431-223-327		CGs-5
	431-223-328		CGs-6
8	381-355-415	Panel, interior, with insulation	CGs-3
	381-355-422		CGs-4
	381-355-429		CGs-5
	381-355-436		CGs-6
9	431-223-301	Panel, rear, with insulation	CGs-3
	431-223-302		CGs-4
	431-223-303		CGs-5
	431-223-304		CGs-6
	431-223-345	Panel Top Front Jacket Size-3 13.33 x 6.22 x 1.41	CGs-3
	431-223-346	Panel Top Front Jacket Size-4 16.33 x 6.22 x 1.41	CGs-4
	431-223-347	Panel Top Front Jacket Size-5 19.33 x 6.22 x 1.41	CGs-5
	431-223-348	Panel Top Front Jacket Size-6 22.33 x 6.22 x 1.41	CGs-6
10	382-200-310	Air inlet fitting	CGs-3
11	562-302-573	Inlet air hose	CGs-3
12	591-850-068	Hose clamp 3"	CGs-3
NS	592-000-000	Gold touch-up paint	CGs-3

# CGi Series 2 Section Assembly



GAS

## CGi Series 2 Section Assembly

Fig. No.	Part No.	Description	Mfr.	Mfr.'s Part No.	Boiler Size
1	311-103-851	End section, left hand, cast #51124	Weil-McLain		All
2	311-103-821	End section, right hand, cast #51128	Weil-McLain		All
3	311-103-818	Intermediate section, cast #51125	Weil-McLain		All
NS	321-114-286	Replacement Section Assembly	Weil-McLain		25, 3
	321-114-287		Weil-McLain		4
	321-114-288		Weil-McLain		5
	321-114-289		Weil-McLain		6
	321-114-290		Weil-McLain		7
	321-114-291		Weil-McLain		8
NS	381-354-527	Section Replacement Kit (Includes: seals and sealant for (1) joint)	Weil-McLain		All
4	560-234-500	Tie rod, 7/16" x 9" without nut (3 required for boiler)	Weil-McLain		25, 3
	560-234-501	Tie rod, 7/16" x 12" without nut (3 required for boiler)	Weil-McLain		4
	560-234-502	Tie rod, 7/16" x 15" without nut (3 required for boiler)	Weil-McLain		5
	560-234-503	Tie rod, 7/16" x 18" without nut (3 required for boiler)	Weil-McLain		6
	560-234-504	Tie rod, 7/16" x 21" without nut (3 required for boiler)	Weil-McLain		7
	560-234-505	Tie rod, 7/16" x 24" without nut (3 required for boiler)	Weil-McLain		8
5	561-928-235	Nut, 7/16" (2 per tie rod)	Weil-McLain		All
6	562-248-684	Washer, lock 7/16" (1 per joint)	Weil-McLain		All
7	460-003-700	Radiation Plate (1 per joint)	Weil-McLain		All
8	450-000-010	Collector Hood And Transition Assembly	Weil-McLain		25
	450-000-011		Weil-McLain		3
	450-000-012		Weil-McLain		4
	450-000-013		Weil-McLain		5
	450-00-014		Weil-McLain		6
	450-000-015		Weil-McLain		7
	450-000-016		Weil-McLain		8
9	510-312-250	High limit, 30° differential with well	Honeywell	L4090D-1036	All
		High limit, 30° differential with well	White-Rog-ers	11B81-3	
10	381-356-499	Inducer Fan Assembly Kit (Includes: inducer fan assembly, gasket and nuts)	Fasco	7062-5326	All
				7021-10410	
11	590-317-627	Gasket, inducer	Weil-McLain		All

## CGi Series 2 Base Assembly

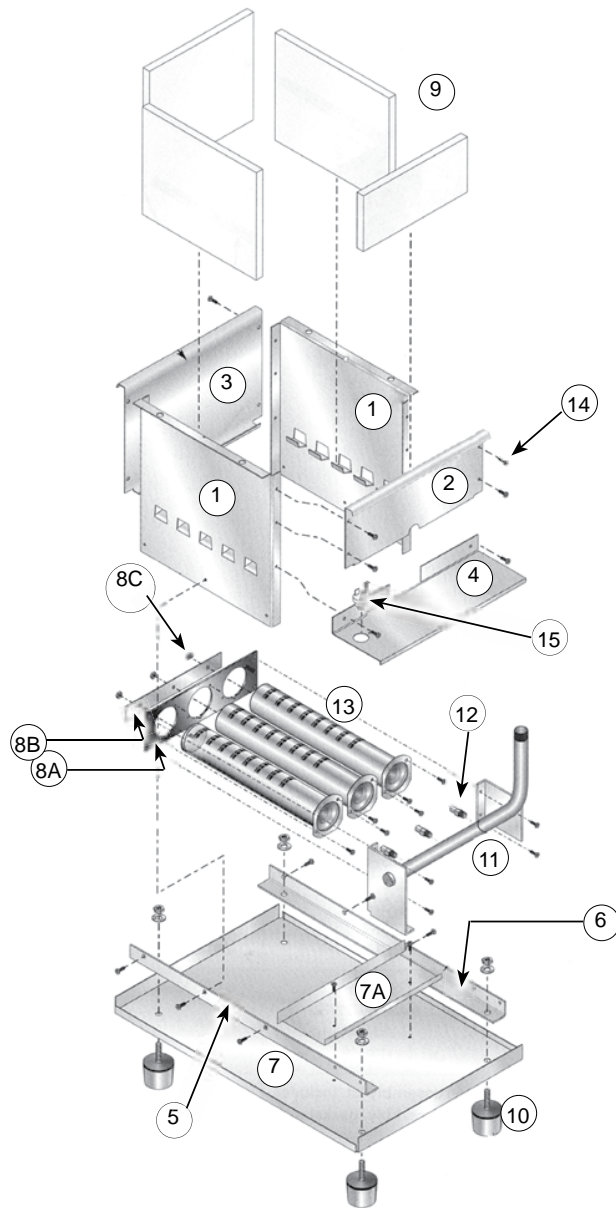


Fig. No.	Part No.	Description	Boiler Size
	381-351-337	Base Assembly Kit (Includes: base side panel, base front cross tie assembly, base back cross tie assembly, burner shield, base pan angle left and right side and base pan baffle)	25, 3
	381-354-338		4
	381-354-339		5
	381-354-340		6
	381-354-341		7
	381-354-342		8
1		Base Side Panel	All
2		Base Front Cross-Tie Assembly	All
3		Base Back Cross-Tie Assembly	All

## CGi Series 2 Base Assembly

4		Burner Shield	All
5		Base Pan Angle, Left Side	All
6		Base Pan Angle, Right Side	All
7		Base Pan	All
7A		Base Pan Air Baffle	All
8A	450-003-690	Burner Mounting Plate	25, 3
	450-003-691		4
	450-003-692		5
	450-003-693		6
	450-003-795		7
	450-003-796		8
8B	550-320-160	Rear Spacing Strip	25, 3
	550-320-161		4
	550-320-162		5
	550-320-163		6
	550-320-164		7
	550-320-165		8
8C	Purchase Locally	Nut, HEX 5mm zinc plated	All
9	381-354-330	Base Insulation Kit	25, 3
	381-354-331		4
	381-354-332		5
	381-354-333		6
	381-354-334		7
	381-354-335		8
10	550-320-219	Boiler Leg Kit	All
11	591-126-735	Manifold	25, 3
	591-126-736		4
	591-126-737		5
	591-126-738		6
	591-126-739		7
	591-126-740		8
12	560-529-084	Main Burner Orifice LP gas 0-1999', 54 drill	25
	560-529-111	Main Burner Orifice LP gas 0-1999', 1.60 mm	3, 5
	560-529-078	Main Burner Orifice LP gas 0-1999'- 1.65mm	4, 6, 7, 8
	560-529-090	Main Burner Orifice natural gas 0-1999', 2.30mm	25
	560-529-126	Main Burner Orifice natural gas 0-1999', 2.55mm	3, 4, 5, 6
	560-529-077	Main Burner Orifice natural gas 0-1999' 2.70mm	7, 8
13	512-200-076	Burner	All
14	Purchase locally	Screw, 10-32 x /38 STP type 23 HEX, washer heat slot	All
15	512-050-230	Rollout Thermal Fuse Element (229°C) (Elmwood Sensors RD226-001 or Microtemp G4AM06 00229C)	All

## CGi Series 2 Gas Controls

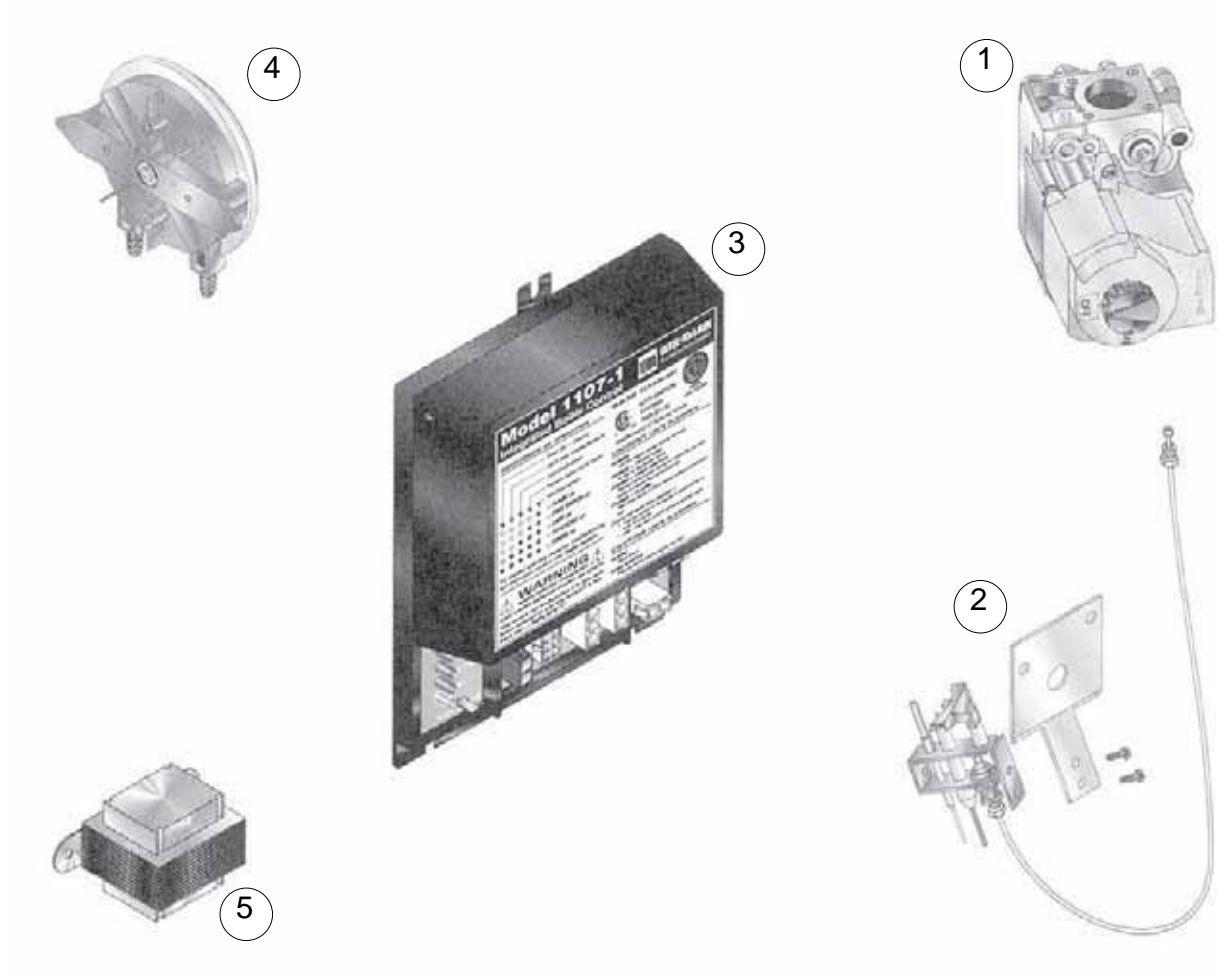


Fig. No.	Part No.	Description	Mfr.	Mfr.'s Part No.	Boiler Size
<b>Natural Gas Components</b>					
1	511-044-381	Gas Valve, 1/2" x 1/2"	Honeywell	VR8204A-2001	25, 3, 4, 5, 6
			White-Rogers	36E36-266	
1	511-044-353	Gas Valve, 3/4" x 3/4"	Honeywell	VR8304M-4002	7, 8
			White-Rogers	36C68-478	
2	511-330-080	Pilot Assembly Kit with Orifice and Aluminum Pilot Gas Tubing	PSE	PSE-NA231	All
<b>Propane Gas Components</b>					
1	511-044-354	Gas Valve, 1/2" x 1/2"	Honeywell	VR8204M-2701	25, 3, 4, 5, 6
	511-044-355	Gas Valve, 3/4" x 3/4"	Honeywell	VR8304M-4010	7, 8
2	511-330-081	Pilot Assembly Kit with Orifice and Aluminum Pilot Gas Tubing	PSE	PSE-LP231	All



## CGi Series 2 Gas Controls

<b>Natural Gas and Propane Components</b>					
2A	540-003-689	Pilot Bracket			All
NS	Purchase Locally	Maching Screw, pan head Phillips, 10-32 x .19" zinc plated (2 each for pilot bracket)			All
NS	381-356-528	Wiring-Harness Circulator			
3	511-330-090	Control Module with 10 second pre-purge	United Technologies	1107-1	All
NS	591-391-894	Wiring Harness, controls to control module			All
NS	591-391-900	Wire Harness, J-box to control module			All
4	511-624-401	Air Pressure Switch 1.79" W.C.	Tri-Delta	PPS10171-3013	25, 3
	511-624-302	Air Pressure Switch 1.40" W.C.	Tri-Delta	PPS10171-3094	4
	511-624-303	Air Pressure Switch 1.22" W.C.	Tri-Delta	PPS10171-3095	5
	511-624-304	Air Pressure Switch .80" W.C.	Tri-Delta	PPS10171-3096	6, 8
	511-624-405	Air Pressure Switch .75" W.C.	Tri-Delta	PPS10171-3031	7
5	511-842-370	Control Transformer, 24volt, sec. 40 VA	Honeywell	AT140B-1297	All
			Basler Electric	BE111640GDD	
NS	590-317-650	Tubing, air pressure switch, 1/8" I.D. x 17" Silicone, red to collector hood	Manufacturer Rubber Supply		All
	590-317-651	Tubing, air pressure switch, 1/8" I.D. x 19" Silicone, white to transition	Manufacturer Rubber Supply		All
NS	510-811-010	Natural to LP conversion kit CGi 25			
NS	510-811-011	Natural to LP conversion kit CGi 3 & 5			
NS	510-811-012	Natural to LP conversion kit CGi 4 & 6			
NS	510-811-013	Natural to LP conversion kit CGi 7 & 8			
NS	510-811-014	LP to Natural conversion kit CGi 25			
NS	510-811-015	LP to Natural conversion kit CGi 3 & 5			
NS	510-811-016	LP to Natural conversion kit CGi 4 & 6			
NS	510-811-017	LP to Natural conversion kit CGi 7 & 8			

## CGi Series 2 Water Trim

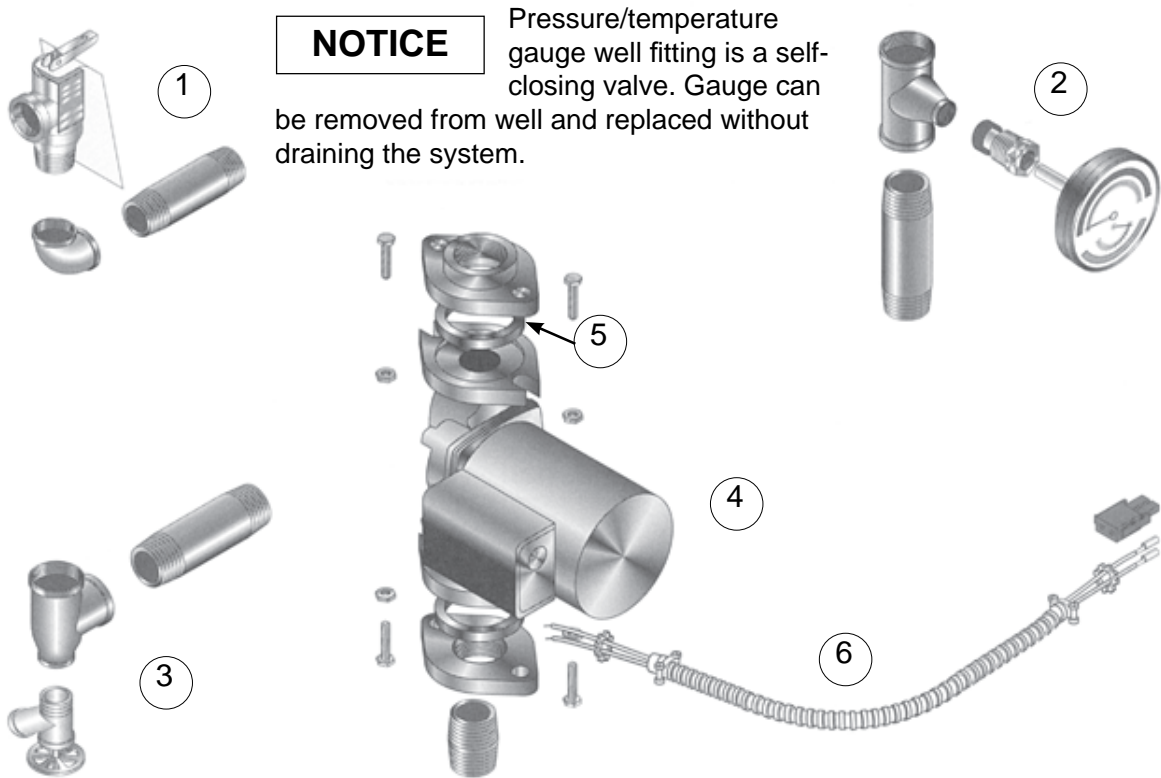
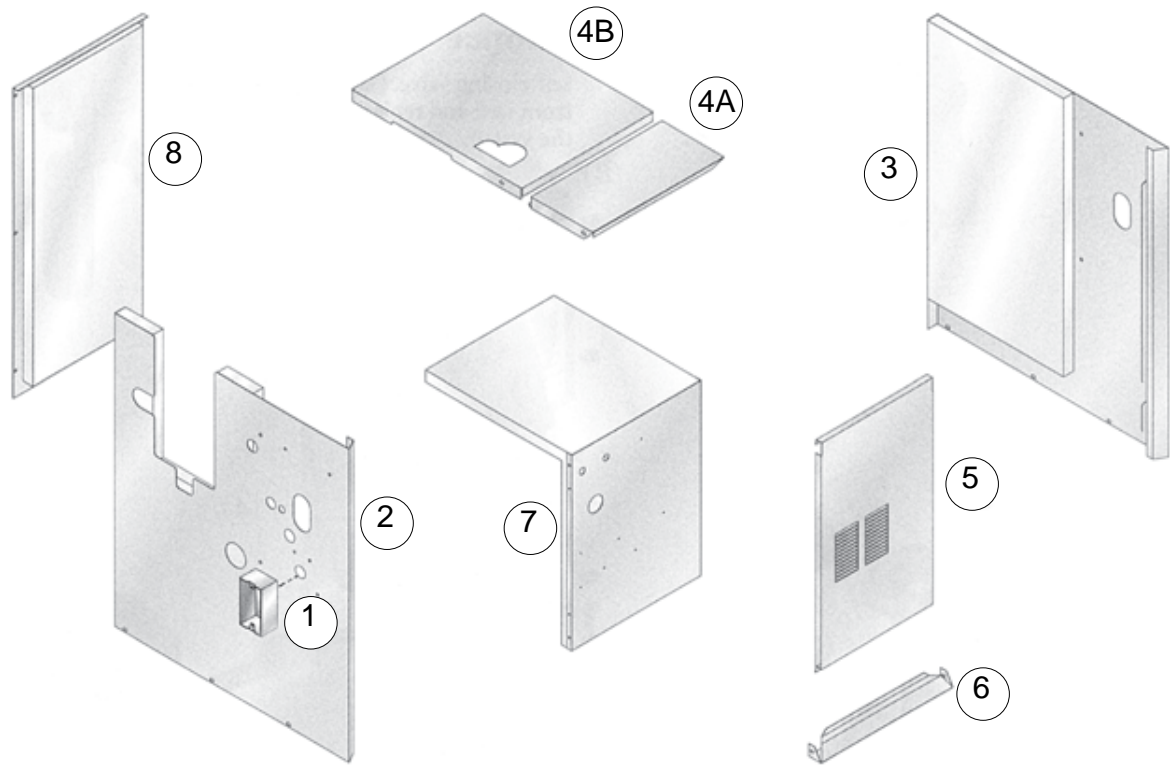


Fig. No.	Part No.	Description	Mfr.	Mfr.'s Part No.	Boiler Size
1	511-546-920	All 330 Watts Male Inlet* Pressure Relief Valve, ASME, 30 PSIG, 3/4"	Conbraco Watts	10-407-10 M330	All
	511-546-924	All 335 Watts Female Inlet* Pressure Relief Valve, ASME, 30 PSIG, 3/4"	Conbraco Watts	10-408-5 335	All
2	380-000-000	Combination Pressure-Temperature Gauge kit, 60° - 360° F, 0 - 75 PSI, 3 1/8" Dia., 1/4" N.P.T., Short Shank, with 1/4" x 1/2" reducing bushing	Weil-McLain		All
3	511-210-423	Drain Valve, 3/4"	Conbraco	31-606-01	All
	511-246-392	Drain Valve, 3/4"	Nibco Matco-Rorca	74	All
4	511-405-113	Circulator*	Taco	007	All
5	590-317-535	Circulator Gasket, Universal (2 per boiler)	Weil-McLain		All
NS	381-354-530	Circulator Hardware Kit, (Includes – 1 Flange, 1 gasket, 2 Nuts, 2 Screws – 3/4" N.P.T.)	Weil-McLain		25
	381-354-525	Circulator Hardware Kit, (Includes – 1 Flange, 1 gasket, 2 Nuts, 2 Screws – 1" N.P.T.)	Weil-McLain		3, 4, 5
	381-354-526	Circulator Hardware Kit, (Includes – 1 Flange, 1 gasket, 2 Nuts, 2 Screws – 1 1/4" N.P.T.)	Weil-McLain		6, 7
	381-354-531	Circulator Hardware Kit, (Includes – 1 Flange, 1 gasket, 2 Nuts, 2 Screws – 1 1/2" N.P.T.)	Weil-McLain		8
6	381-356-528	Circulator Wiring Harness Kit, with Molex (Loose)	Weil-McLain		All

\* Pipe fittings available locally.

## CGi Series 2 Jacket Assembly



Boiler Model	1	2		3	4A	4B	Boiler Model
	Junction box, 2 x 4	Panel, left side, with insulation		Panel, right side, with insulation	Panel, top front, with insulation	Panel, top rear, with insulation	
		Natural Gas	Propane Gas				
Weil-McLain part number							
CGi-25	(Available at local supply house)	381-355-534	381-355-581	381-355-757	381-355-403	381-355-539	CGi-25
CGi-3		381-355-541	381-355-584	381-355-758	381-355-403	381-355-539	CGi-3
CGi-4		381-355-546	381-355-587	381-355-759	381-355-413	381-355-551	CGi-4
CGi-5		381-355-553	381-355-590	381-355-793	381-355-420	381-355-558	CGi-5
CGi-6		381-355-560	381-355-601	381-355-793	381-355-427	381-355-565	CGi-6
CGi-7		381-355-567	381-355-604	381-355-793	381-355-434	381-355-572	CGi-7
CGi-8		381-355-574	381-355-607	381-355-793	381-355-441	381-355-579	CGi-8
Boiler Model		5	6	7	8	NS	Boiler Model
	Panel, door	Cross tie, bottom front	Panel, interior, with insulation	Panel, rear, with insulation	Gold touch-up paint		
	Weil-McLain part number						
CGi-25/3	381-355-540	431-223-325	381-355-405	431-223-300	592-000-000	CGi-25/3 CGi-4 CGi-5 CGi-6 CGi-7 CGi-8	
CGi-4	381-355-552	431-223-326	381-355-415	431-223-301			
CGi-5	381-355-559	431-223-327	381-355-422	431-223-327			
CGi-6	381-355-566	431-223-328	381-355-429	431-223-302			
CGi-7	381-355-573	431-223-329	381-355-436	431-223-303			
CGi-8	381-355-580	431-223-330	381-355-443	431-223-304			
				431-223-305			

## CGa Section Assembly

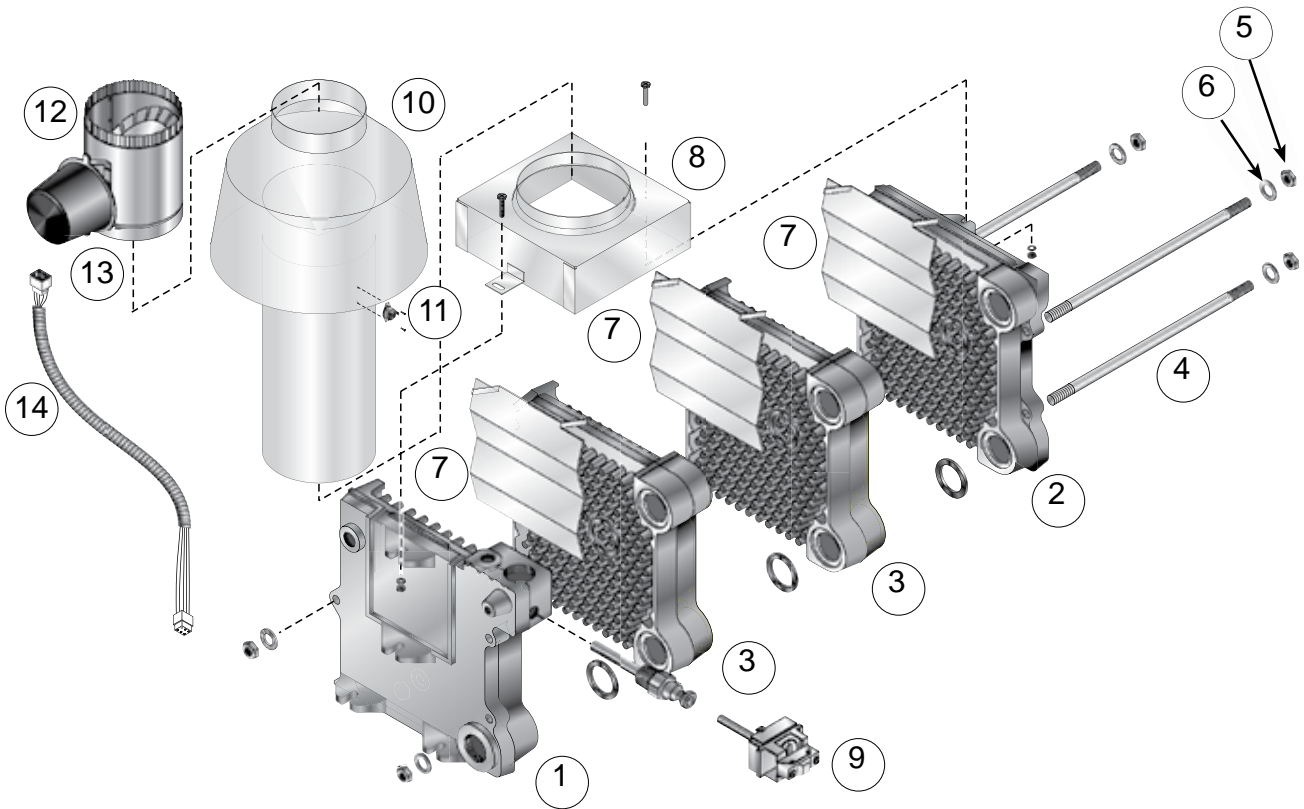
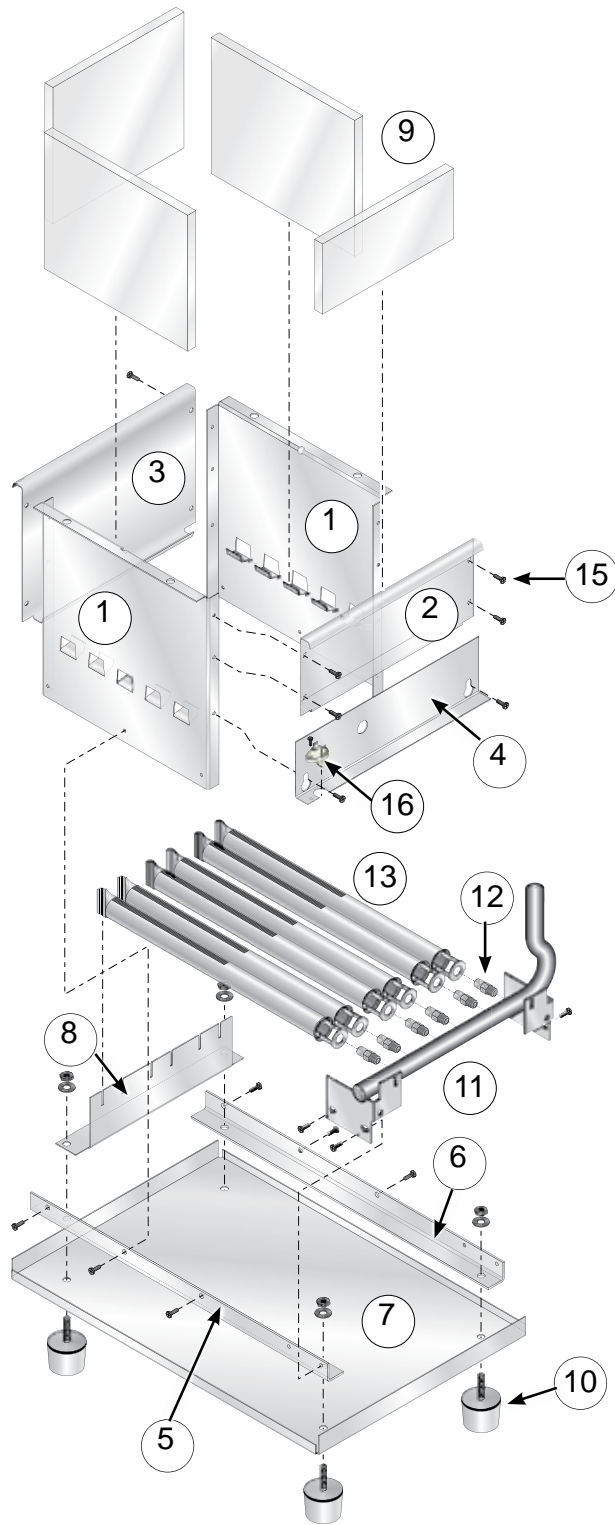


Fig. No.	Part No.	Description	Mfr.	Mfr.'s Part No.	Boiler Size
1	311-103-851	End Section, left hand, cast #51124	Weil-McLain		All
2	311-103-821	End Section, right hand, cast #51128	Weil-McLain		All
3	311-103-818	Intermediate Section, cast #51125	Weil-McLain		All
NS	321-114-286	Replacement Section Assembly	Weil-McLain		25, 3
	321-114-287				4
	321-114-288				5
	321-114-289				6
	321-114-290				7
	321-114-291				8
NS	381-354-527	Section Replacement Kit (Includes: seals and sealant for (1) joint)	Weil-McLain		All
4	560-234-500	Tie Rod, 7/16" x 9" without nut (3 required for boiler)	Weil-McLain		25, 3
	560-234-501	Tie Rod, 7/16" x 12" without nut (3 required for boiler)	Weil-McLain		4
	560-234-502	Tie Rod, 7/16" x 15" without nut (3 required for boiler)	Weil-McLain		5
	560-234-503	Tie Rod, 7/16" x 18" without nut (3 required for boiler)	Weil-McLain		6
	560-234-504	Tie Rod, 7/16" x 21" without nut (3 required for boiler)	Weil-McLain		7
	560-234-505	Tie Rod, 7/16" x 24" without nut (3 required for boiler)	Weil-McLain		8
5	561-928-235	Nut, 7/16" (2 per tie rod)	Weil-McLain		All
6	562-248-684	Washer, lock 7/16" (1 per joint)	Weil-McLain		All
7	460-003-700	Radiation Plate (1 per joint)	Weil-McLain		All

## CGa Section Assembly

8	381-354-625	Collector Hood	Weil-McLain		25
	381-354-626				3
	381-354-627				4
	381-354-628				5
	381-354-629				6
	381-354-630				7
	381-354-631				8
9	510-312-250	High Limit, 140-220°F with 30° differential and ½" N.P.T. well	Honeywell	L4090D-1036	All
			White-Rogers	11B81-3	
10	450-021-240	Draft Hood	Weil-McLain		25
	450-021-241				3
	450-021-242				4
	450-021-243				5
	450-021-244				6
	450-021-245				7
	450-021-246				8
11	510-300-013	Spill Switch 210°, manual reset	Elmwood Sensors	2455RM-8174-0201	25
	510-300-014	Spill Switch 240°, manual reset	Elmwood Sensors	2455RM-8050-0181	3-8
12	381-800-474	Vent Damper 4"	Effikal	RVGP-KS-48KF	25, 3
			Johnson Controls	Q35GB-2	
	381-800-475	Vent Damper 5"	Effikal	RVGP-KS-58KF	4
			Johnson Controls	Q35GD-2	
	381-800-476	Vent Damper 6"	Effikal	RVGP-KS-68KF	5, 6
			Johnson Controls	Q35GF2	
	381-800-477	Vent Damper 7"	Effikal	RVGP-KS-78KF	7, 8
			Johnson Controls	Q35GH-2	
13	510-512-337	Vent Damper Actuator	Effikal	RVGP	All
	510-312-255	Vent Damper Actuator	Johnson Controls	M35BE-1C	All
14	591-391-795	Vent Damper Harness	Weil-McLain		All

# CGa Base Assembly



GAS

## CGa Base Assembly

Fig. No.	Part No.	Description	Mfr.	Mfr.'s Part No.	Boiler Size
1	460-003-710	Base side panel (2 required)	Weil-McLain		All
2	460-003-777	Base front cross-tie	Weil-McLain		25-3
	460-003-778				4
	460-003-779				5
	460-003-780				6
	460-003-781				7
	460-003-782				8
3	460-003-701	Base back cross-tie	Weil-McLain		25-3
	460-003-702				4
	460-003-703				5
	460-003-704				6
	460-003-705				7
	460-003-706				8
4	460-003-741	Access panel	Weil-McLain		25-3
	460-003-742				4
	460-003-743				5
	460-003-744				6
	460-003-745				7
	460-003-746				8
5	450-030-475	Base pan side angle, left side	Weil-McLain		All
6	450-030-474	Base pan side angle, right side	Weil-McLain		All
7	450-003-730	Base pan	Weil-McLain		25-3
	450-003-731				4
	450-003-732				5
	450-003-733				6
	450-003-734				7
	450-003-735				8
8	450-003-742	Burner rest	Weil-McLain		25
	450-003-736				3
	450-003-737				4
	450-003-738				5
	450-003-739				6
	450-003-740				7
	450-003-741				8
9	381-354-518	Base insulation kit	Weil-McLain		25-5
	381-354-519		Weil-McLain		6-8

## CGa Base Assembly

10	590-424-252	Boiler leg (3"), 1 leg, 4 required	Weil-McLain		All
11	591-126-615	Burner manifold	Weil-McLain		25
	591-126-616				3
	591-126-617				4
	591-126-618				5
	591-126-619				6
	591-126-556				7
	591-126-557				8
12	560-528-997	Main burner orifice – natural gas 2.0mm	Weil-McLain		All
	560-528-998	Main burner orifice – propane gas 1.3mm	Weil-McLain		All
13	512-200-077	Main burner stainless steel	Weil-McLain		All
NS	512-200-079	Main burner, SS, with pilot bracket (standing pilot)(available with pilot burner kit)	Weil-McLain		All
	512-200-078	Main burner with pilot bracket (spark ignition pilot)(available with pilot burner kit), standing pilot, LP	Weil-McLain		All
15	Available Locally	Screw, 10-32 x 3/8" STP type D HEX, washer heat slotted, zinc plated	Weil-McLain		
16	512-050-230	Rollout thermal fuse element, 228°C	Thermodisc	G4M0604121C	All
NS	381-354-355	Base replacement carton	Weil-McLain		25
	381-354-356				3
	381-354-357				4
	381-354-358				5
	381-354-359				6
	381-354-360				7
	381-354-361				8

GAS



## CGa Water Trim

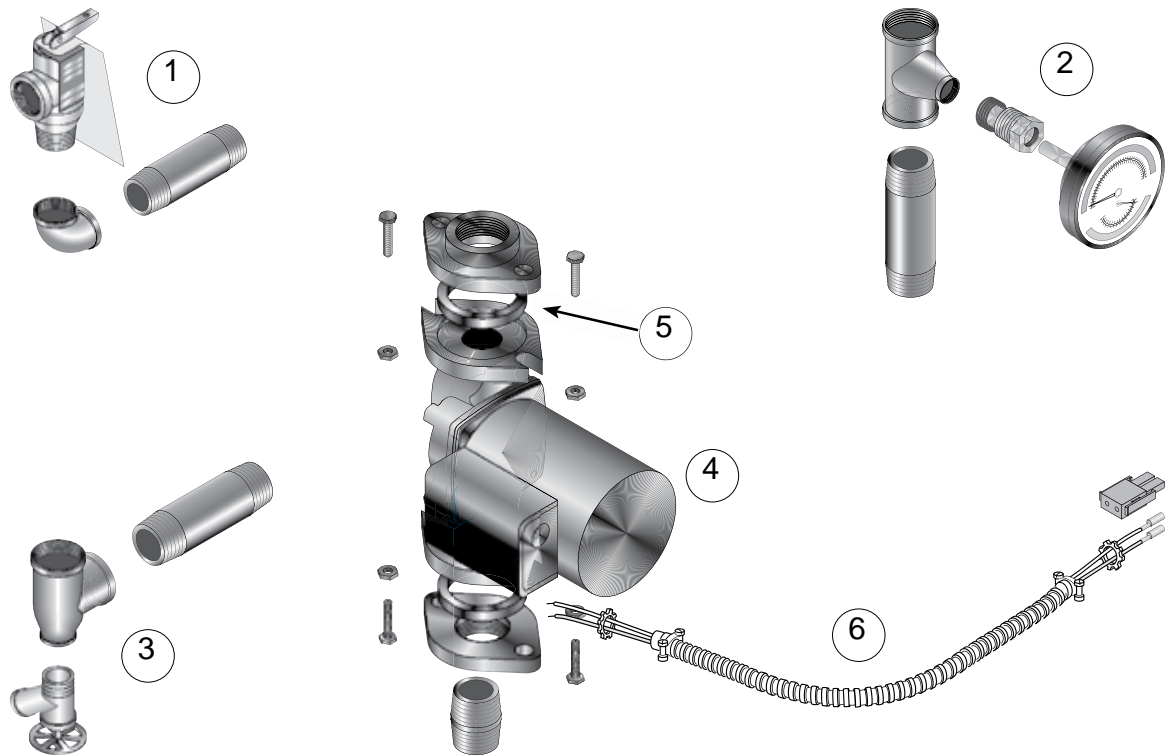


Fig. No.	Part No.	Description	Mfr.	Mfr.'s Part No.	Boiler Size
1	511-549-920	Pressure Relief Valve, ASME, 30 PSIG, 3/4" male inlet (fittings shown are factory installed on boiler)	Conbraco	10-407-10	All
			Watts	M330	
	511-546-924	Pressure Relief Valve, ASME, 30 PSIG, 3/4" female inlet (fittings shown are factory installed on boiler)	Conbraco	10-408-5	All
			Watts	335	
			ENF-USA	4104-2- 1/2 "- 1/4"	
2	380-000-000	Combination Pressure-Temperature Gauge Kit, 60°-360°F 0-75 PSI, 3 1/8" Dia., 1/4" N.P.T., short shank with 1/4" x 1/2" reducing bushing	Weil-McLain		All
3	511-210-423	Drain valve 3/4"	Conbraco	31-606-01-3/4"	All
4	511-405-113	Circulator (fittings shown are factory installed on boiler)	Taco	007	All
5	590-317-535	Circulator gasket, universal (2 per boiler)	Weil-McLain		All
NS	381-354-530	Circulator Hardware Kit (Includes: (1) flange, (1) gasket, (2) nuts, (2) screws) 3/4" N.P.T.	Weil-McLain		25
	381-354-525	Circulator Hardware Kit (Includes: (1) flange, (1) gasket, (2) nuts, (2) screws) 1" N.P.T.	Weil-McLain		3, 4, 5
	381-354-526	Circulator Hardware Kit (Includes: (1) flange, (1) gasket, (2) nuts, (2) screws) 1 1/4" N.P.T.	Weil-McLain		6, 7
	381-354-531	Circulator Hardware Kit (Includes: (1) flange, (1) gasket, (2) nuts, (2) screws) 1 1/2" N.P.T.	Weil-McLain		8
6	591-319-793	Circulator Wiring Harness Kit for standing pilot ignition			All
	381-356-528	Circulator Wiring Harness Kit, for spark ignition (with Molex connector)	Weil-McLain		All

## CGa Control Parts

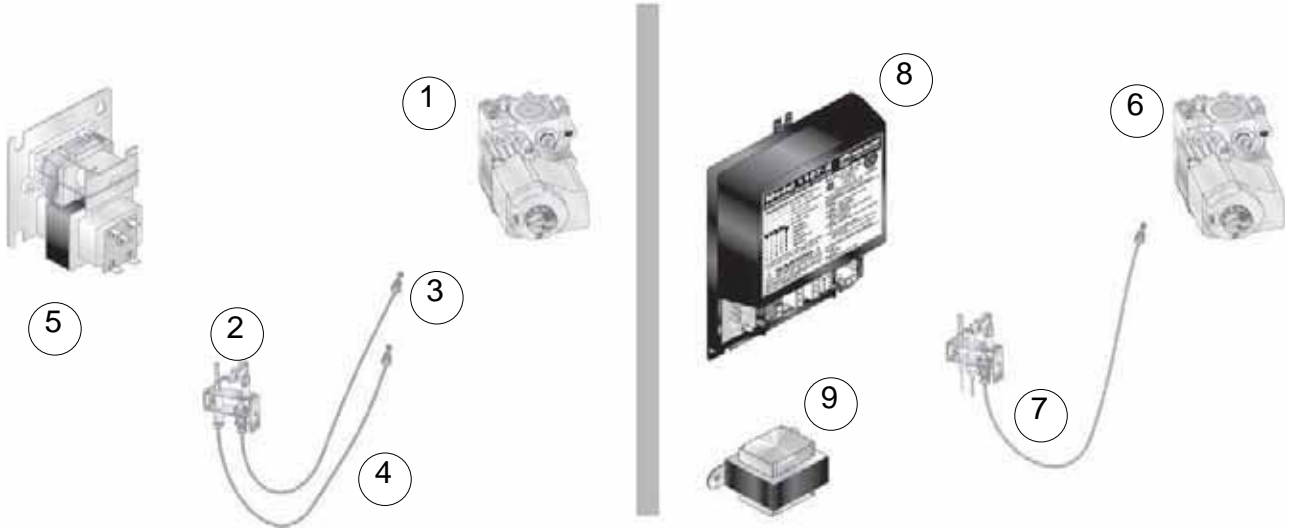


Fig. No.	Part No.	Description	Mfr.	Mfr.'s Part No.	Boiler Size
<b>Standing Pilot – Natural Gas Components</b>					
1	511-044-360	Gas Valve, ½" x ½"	Honeywell	VR8200A-2116	25-6
	511-044-256	Gas Valve, ¾" x ¾"	Grayson	7A0-A1B-042	
2	510-811-644	Pilot Assembly Kit With Orifice	Weil-McLain		All
3	560-742-860	Tubing, pilot, aluminum 1/8" x 22.75	Weil-McLain		All
4	511-724-254	Thermocouple, 30"	Honeywell	Q309A-1988	All
<b>Standing Pilot – Propane Gas Components</b>					
1	511-044-258	Gas Valve, ½" x ½"	Honeywell	VR8200C-1074	25-6
	511-044-257	Gas Valve, ¾" x ¾" 1.2" step	Honeywell	VR8300C-4100	7, 8
2	510-811-646	Pilot Assembly Kit With Orifice	Weil-McLain		All
3	560-742-860	Tubing, pilot, aluminum 1/8" x 22.75	Weil-McLain		All
4	511-724-253	Thermocouple, 45"	Honeywell	Q309A-1988	All
<b>Standing Pilot Components For Natural Gas and Propane Gas</b>					
5	510-312-167	Transformer And Relay Assembly	Honeywell	R8285D-1000	All
			White-Rogers	631-9001	
NS	510-350-223	Relay only- Standing pilot	White-Rogers	91-322000-11000	All
NS	510-312-166	Transformer only – Standing pilot	Hamilton	599-9001	All
NS	591-391-862	Standing Pilot Wiring Harness	Weil-McLain		All

## CGa Control Parts

<b>Pilot Gas Components For Natural and Propane – CGa 25 &amp; CGa 3 Only</b>					
NS	510-933-126	Pilot Gas Pressure Regulator, 4.0" W.C. outlet	Maxitrol	RV12LT-11	25, 3
			SCP	SC-50N	
NS	560-742-859	Tubing, aluminum from gas valve to regulator, ¼" x 3" 90°	Weil-McLain		25, 3
NS	562-302-017	Adapter, male 1/8" x 7/16"-24, from regulator to pilot gas line	Weil-McLain		25, 3
<b>Spark Ignition Components For Natural Gas</b>					
6	511-044-381	Gas Valve, ½" x ½"	Honeywell	VR8204A-2001	25-6
			White-Rogers	36E36-266	
	Grayson Control	7200IPER 7D1-D5B-029			
	511-044-382	Gas Valve, ¾" x ¾"	Honeywell	VR8304P-4348	7, 8
White-Rogers			36C74-474		
7	511-330-218	Pilot Assembly Kit with orifice, aluminum pilot gas tubing, and spark wire and sense wire	PSE	PSE-NA16	All
8	511-330-079	Ignition Control Module	United Technologies	1107-2	All
9	511-842-370	Control Transformer, 24V, 40VA	Honeywell	AT140B-1297	All
			Basler Electric	BE111640GDD	
NS	591-391-900	Wire harness, power supply	Weil-McLain		All
NS	591-391-905	Wire harness, spark ignition	Weil-McLain		All
NS	510-811-363	Conversion Kit: Natural to Propane CGa 7-8 (Standing pilot only)	Weil-McLain		
NS	510-811-356	Conversion Kit: Propane to Natural CGa 25-6 (Standing pilot only)	Weil-McLain		
NS	510-811-357	Conversion Kit: Propane to Natural CGa 7-8 (Standing pilot only)	Weil-McLain		
NS	510-811-362	Conversion Kit: Natural to Propane CGa 25-6 (Standing pilot only)	Weil-McLain		

## CGa Jacket Assembly

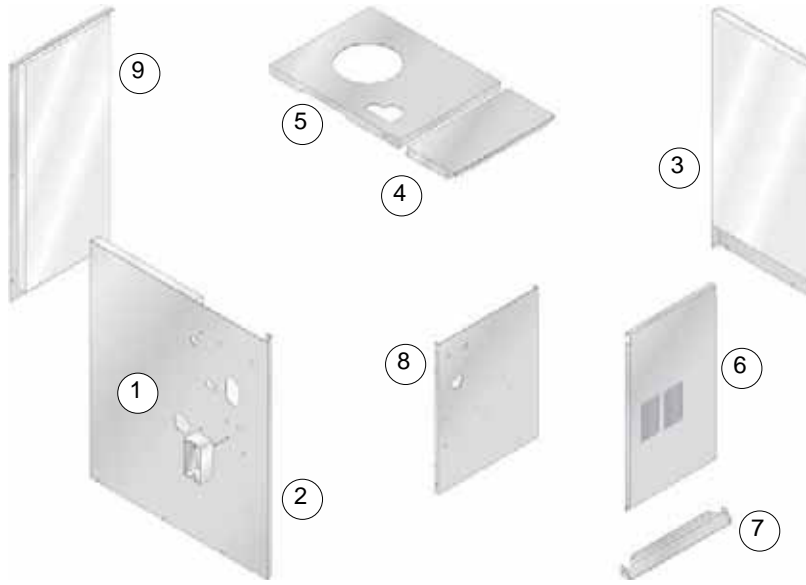


Fig. No.	Part No.	Description	Boiler Model
1	Available Locally	Junction box, 2 x 4	CGa-25
			CGa-3
			CGa-4
			CGa-5
			CGa-6
			CGa-7
			CGa-8
2	381-355-400	Panel, left side, with insulation (Natural Gas Standing Pilot)	CGa-25
	381-355-407		CGa-3
	381-355-410		CGa-4
	381-355-417		CGa-5
	381-355-424		CGa-6
	381-355-431		CGa-7
	381-355-438		CGa-8
	381-355-445	Panel, left side, with insulation (Propane Gas Standing Pilot)	CGa-25
	381-355-448		CGa-3
	381-355-451		CGa-4
	381-355-454		CGa-5
	381-355-457		CGa-6
	381-355-460		CGa-7
	381-355-463		CGa-8
	381-355-466	Panel, left side, with insulation (Natural Gas Spark Ignition)	CGa-25
	381-355-470		CGa-3
	381-355-473		CGa-4
	381-355-477		CGa-5
	381-355-481		CGa-6
	381-355-485		CGa-7
	381-355-489		CGa-8

Fig. No.	Part No.	Description	Boiler Model
3	381-355-699	Panel, right side, with insulation (Natural Gas)	CGa-25
	381-355-745		CGa-3
	381-355-746		CGa-4
	381-355-793		CGa-5-CGa-8
	381-355-747	Panel, right side, with insulation (Propane Gas)	CGa-25
	381-355-748		CGa-3
	381-355-749		CGa-4
	381-355-793		CGa-5-CGa-8
	381-355-754	Panel, right side, with insulation (Spark Pilot)	CGa-25
	381-355-755		CGa-3
	381-355-756		CGa-4
	381-355-793		CGa-5-CGa-8
4	381-355-403	Jacket panel, top front	CGa-25/3
	381-355-413		CGa-4
	381-355-423		CGa-5
	381-355-427		CGa-6
	381-355-434		CGa-7
	381-355-441		CGa-8
5	381-355-404	Panel, top rear	CGa-25/3
	381-355-414		CGa-4
	381-355-421		CGa-5
	381-355-428		CGa-6
	381-355-435		CGa-7
	381-355-442		CGa-8
6	381-355-406	Panel, door	CGa-25/3
	381-355-416		CGa-4
	381-355-423		CGa-5
	381-355-430		CGa-6
	381-355-437		CGa-7
	381-355-444		CGa-8
7	431-223-325	Cross tie, bottom front	CGa-25/3
	431-223-326		CGa-4
	431-223-327		CGa-5
	431-223-328		CGa-6
	431-223-329		CGa-7
	431-223-330		CGa-8
8	381-355-405	Panel, interior, with insulation	CGa-25/3
	381-355-415		CGa-4
	381-355-422		CGa-5
	381-355-429		CGa-6
	381-355-436		CGa-7
	381-355-443		CGa-8
9	431-223-300	Panel, rear, with insulation	CGa-25/3
	431-223-301		CGa-4
	431-223-302		CGa-5
	431-223-303		CGa-6
	431-223-304		CGa-7
	431-223-305		CGa-4
NS	592-000-000	Gold touch-up paint	CGa-5

## EG Series 1-4 Section and Base Assembly

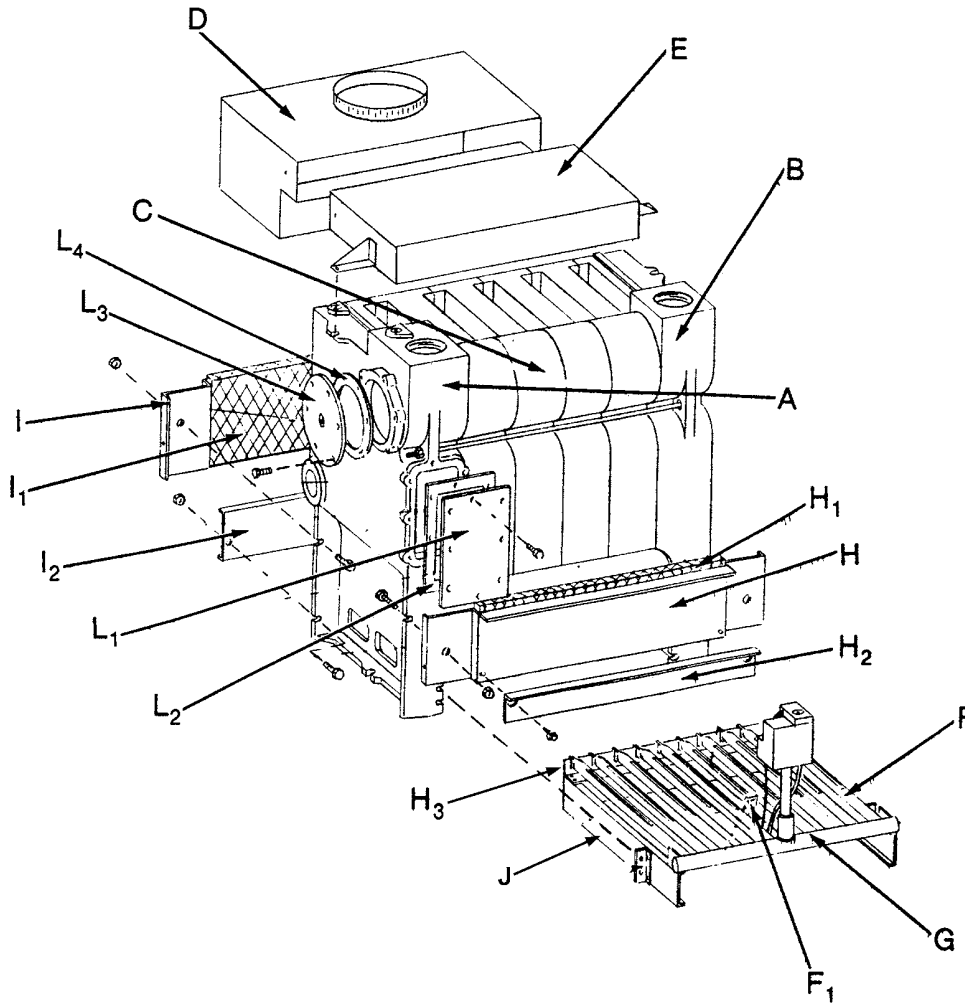


Fig. No.	Part No.	Description	Boiler Series
	321-811-095	Section Assembly, Complete: EG, P-EG30, 35 with heater opening	1, 2, 3, 4
	321-811-100	Section Assembly, Complete: EG, P-EG35, without heater opening (tankless heater not available on EG-30)	1, 2, 3, 4
	321-811-110	Section Assembly, Complete: EG, P-EG40, 45 with heater opening	1, 2, 3, 4
	321-811-115	Section Assembly, Complete: EG, P-EG40, 45 without heater opening	1, 2, 3, 4
	321-811-120	Section Assembly, Complete: EG, P-EG50, 55 with heater opening	1, 2, 3, 4
	321-811-125	Section Assembly, Complete: EG, P-EG50, 55 without heater opening	1, 2, 3, 4
	321-811-130	Section Assembly, Complete: EG65 with heater opening	1, 2, 3, 4
	321-811-135	Section Assembly, Complete: EG65 without heater opening	1, 2, 3, 4
	321-811-140	Section Assembly, Complete: EG75 with heater opening	1, 2, 3, 4
	321-811-145	Section Assembly, Complete: EG75 without heater opening	1, 2, 3, 4
A	311-800-014	Left Hand End Section With Heater Opening	1, 2, 3, 4
	311-800-007	Left Hand End Section Without Heater Opening	1, 2, 3, 4
B	311-800-029	Right Hand End Section Without Heater Opening	1, 2, 3, 4
C	311-800-010	Intermediate Section	1, 2, 3, 4

## EG Series 1-4 Section and Base Assembly

	381-800-667	Section Replacement Kit (Includes: (1) 3" and 6" Elastomer seal, 1/4" cope seal) Order 1 per joint between sections	1, 2, 3, 4
	592-800-010	3" Dia. Bottom Elastomer Seal (1 per joint)	1, 2, 3, 4
	592-800-007	6" Dia. Top Elastomer Seal (1 per joint)	1, 2, 3, 4
	590-735-122	Sealer for sections (cope seal – 4' per joint) 22.75" need 3 qty.	1, 2, 3, 4
	560-234-470	½" x 14" tie rod without nut (2 per boiler): EG, P-EG-30,35	1, 2, 3, 4
	530-234-475	½" tie rod without nut (2 per boiler): EG, P-EG-40,45	1, 2, 3, 4
	530-234-480	½" tie rod without nut (2 per boiler): EG, P-EG-50,55	1, 2, 3, 4
	530-234-485	½" tie rod without nut (2 per boiler): EG-65	1, 2, 3, 4
	530-234-490	½" tie rod without nut (2 per boiler): EG-75	1, 2, 3, 4
	561-928-221	½"Nut (2 per tie rod)	1, 2, 3, 4
	562-248-668	½" Lock washer (1 per tie rod)	1, 2, 3, 4
	591-602-913	Retort cement (1 quart)	1, 2, 3, 4
	591-706-214	Flue brush, 124 DMG	1, 2, 3, 4
D	450-021-255	Draft Hood: EG, P-EG-30, 30	1, 2, 3, 4
	450-021-256	Draft Hood: EG, P-EG-30, 35	1, 2, 3, 4
	450-021-257	Draft Hood: EG, P-EG-30, 40	1, 2, 3, 4
	450-021-258	Draft Hood: EG, P-EG-30, 45	1, 2, 3, 4
	450-021-259	Draft Hood: EG, P-EG-30, 50	1, 2, 3, 4
	450-021-260	Draft Hood: EG, P-EG-30, 55	1, 2, 3, 4
	450-021-261	Draft Hood: EG-65	1, 2, 3, 4
	450-021-262	Draft Hood: EG-75	1, 2, 3, 4
E	450-014-733	Collector Hood: EG, P-EG-30, 35	1, 2, 3, 4
	450-014-734	Collector Hood: EG, P-EG-40, 45	1, 2, 3, 4
	450-014-735	Collector Hood: EG, P-EG-50, 55	1, 2, 3, 4
	450-014-736	Collector Hood: EG-65	1, 2, 3, 4
	450-014-737	Collector Hood: EG-75	1, 2, 3, 4
H	450-800-000	Front base panel: EG, P-EG-30, 35	1, 2, 3, 4
	450-800-001	Front base panel: EG, P-EG-40, 45	1, 2, 3, 4
	450-800-002	Front base panel: EG, P-EG-50, 55	1, 2, 3, 4
	450-800-003	Front base panel: EG-65	1, 2, 3, 4
	450-800-004	Front base panel: EG-75	1, 2, 3, 4
I	451-800-010	Back Base Panel: EG, P-EG-30, 35	1, 2, 3, 4
	451-800-011	Back Base Panel: EG, P-EG-40, 45	1, 2, 3, 4
	451-800-012	Back Base Panel: EG, P-EG-50, 55	1, 2, 3, 4
	451-800-013	Back Base Panel: EG-65	1, 2, 3, 4
	451-800-014	Back Base Panel: EG-75	1, 2, 3, 4
I2	451-800-020	Back Base Channel: EG, P-EG-30, 35	1, 2, 3, 4
	451-800-021	Back Base Channel: EG, P-EG-40, 45	1, 2, 3, 4
	451-800-022	Back Base Channel: EG, P-EG-50, 55	1, 2, 3, 4
	451-800-023	Back Base Channel: EG-65	1, 2, 3, 4
	451-800-024	Back Base Channel: EG-75	1, 2, 3, 4

## EG Series 1-4 Section and Base Assembly

H2	451-800-040	Base Front Access Panel With Flame Rollout Switch Bracket: EG, P-EG-30, 35	1, 2, 3, 4
	451-800-041	Base Front Access Panel With Flame Rollout Switch Bracket: EG, P-EG-40, 45	1, 2, 3, 4
	451-800-039	Base Front Access Panel With Flame Rollout Switch Bracket: EG, P-EG-50	1, 2, 3, 4
	451-800-042	Base Front Access Panel With Flame Rollout Switch Bracket: EG, P-EG-55	1, 2, 3, 4
	451-800-043	Base Front Access Panel With Flame Rollout Switch Bracket: EG-65	1, 2, 3, 4
	451-800-044	Base Front Access Panel With Flame Rollout Switch Bracket: EG-75	1, 2, 3, 4
H3	451-800-085	Back Burner Support: EG, P-EG-30	1, 2, 3, 4
	451-800-086	Back Burner Support: EG, P-EG-35	1, 2, 3, 4
	451-800-087	Back Burner Support: EG, P-EG-40	1, 2, 3, 4
	451-800-088	Back Burner Support: EG, P-EG-45	1, 2, 3, 4
	451-800-089	Back Burner Support: EG, P-EG-50	1, 2, 3, 4
	451-800-090	Back Burner Support: EG, P-EG-55	1, 2, 3, 4
	451-800-092	Back Burner Support: EG, P-EG-65	1, 2, 3, 4
	451-800-094	Back Burner Support: EG, P-EG-75	1, 2, 3, 4
H, I	510-811-660	Base Insulation Kit (Includes: front and rear base panel insulation, water glass and boiler cement)	1, 2, 3, 4
L1	389-900-103	Cover Plate For Heater Opening (rectangular)	1, 2, 3, 4
L2	590-317-579	Gasket For Cover Plate (rectangular)	1, 2, 3, 4
L3	389-900-101	Cover Plate For Heater Opening (round)	1, 2, 3, 4
L4	590-317-495	Gasket For Cover Plate (round)	1, 2, 3, 4
F	512-200-000	Burner, Stainless Tube, Regular (note 2)	1, 2, 3, 4
F1	512-200-001	Burner, Stainless Tube With Pilot Bracket: "PI" systems (all sizes); "SPL" systems (all sizes); "SPN" systems (EG-75 only) stainless (note 2)	1, 2, 3, 4
	512-200-002	Burner, Steel Tube With Pilot Bracket: "SPN" systems (EG, P-EG-30-65 Only) stainless	1, 2, 3, 4
	560-528-988	Main Burner Orifice, natural gas, 2.45mm (note 1)	1, 2, 3, 4
G	591-125-533	Main Burner Orifice, propane gas, 1.55mm	1, 2, 3, 4
	591-125-538	Manifold, EG, P-EG-30	1, 2, 3, 4
	591-125-534	Manifold, EG, P-EG-35	1, 2, 3, 4
	591-125-539	Manifold, EG, P-EG-40	1, 2, 3, 4
	591-125-535	Manifold, EG, P-EG-50	1, 2, 3, 4
	591-125-540	Manifold, EG, P-EG-55	1, 2, 3, 4
	591-125-541	Manifold, EG-65	1, 2, 3, 4
	591-125-542	Manifold, EG-75	1, 2, 3, 4
J	451-800-070	Base Side Rail (2 required)	1, 2, 3, 4
NS	561-340-577	Tankless Heater Nut And Stud	

**Notes:**

(1) Order sufficient quantities to replace all orifices within a base.

(2) Number of burners:

EG-30: 2 main burners and 1 burner with pilot bracket

EG-35: 2 main burners and 1 burner with pilot bracket

EG-40: 4 main burners and 1 burner with pilot bracket

EG-50: 6 main burners and 1 burner with pilot bracket

EG-55: 7 main burners and 1 burner with pilot bracket

EG-60: 8 main burners and 1 burner with pilot bracket

EG-65: 9 main burners and 1 burner with pilot bracket

EG-75: 11 main burners and 1 burner with pilot bracket



## EG Series 4 Intermittent Ignition

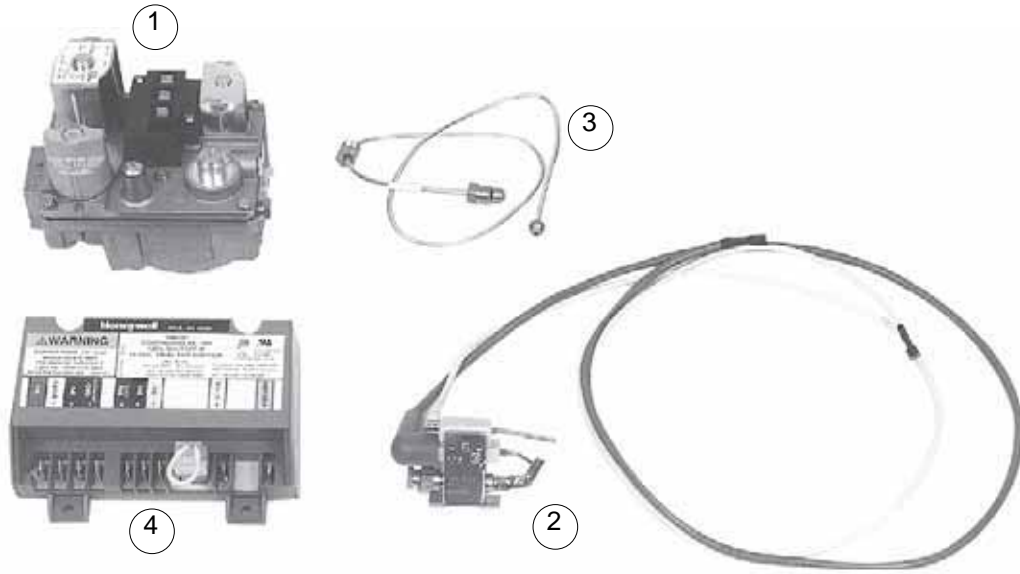


Fig. No.	Part No.	Description	Mfr	Mfr.'s Part No	EG Series 4 Boiler Size								
					30	35	40	45	50	55	65	75	
1	511-044-381	*Combination Gas Control Valve, 1/2" x 1/2"N.P.T., 24 Volt	Honeywell	VR8204A2001	X	X	X	X	X				
1	511-044-381	*Combination Gas Control Valve, 1/2" x 1/2"N.P.T., 24 Volt	Robertshaw	7200IPER	X	X	X	X	X				
1	511-044-381	*Combination Gas Control Valve, 1/2" x 1/2"N.P.T., 24 Volt	White-Rodgers	36E36-266	X	X	X	X	X				
1	511-044-382	*Combination Gas Control Valve, 3/4" x 3/4"N.P.T., 24 Volt	Honeywell	VR8304P4348						X	X	X	
1	511-044-382	*Combination Gas Control Valve, 3/4" x 3/4"N.P.T., 24 Volt	White-Rodgers	36C74-474						X	X	X	
2	511-330-218	Pilot Assembly Kit with orifice, aluminum pilot gas tubing, and spark wire and sense wire	PSE	NA-16	X	X	X	X	X	X	X	X	X
3	560-742-860	Pilot Tubing Aluminum 1/8" OD x 22 3/4"Long, with Compression Fittings comes with pilot assembly			X	X	X	X	X	X	X	X	X
4	511-330-097	Ignition Control Module without Molex 24 Volt	Honeywell	S8620C1003	X	X	X	X	X	X	X	X	X
4	511-330-097	Ignition Control Module without Molex 24 Volt	United Technologies	1003-511	X	X	X	X	X	X	X	X	X
NS	540-130-959	Wiring Harness (in Envelope Assy) for Water Boilers without Tankless Heater ONLY	Weil-McLain		X	X	X	X	X	X	X	X	X
NS	540-130-960	Wiring Harness (in Envelope Assy) for Water Boilers with Tankless Heater ONLY	Weil-McLain			X	X	X	X	X	X		
NS	540-130-961	Wiring Harness (in Envelope Assy) for Steel Boilers with Foat LWCO ONLY	Weil-McLain		X	X	X	X	X	X	X	X	X
NS	540-130-962	Wiring Harness (in Envelope Assy) for Steel Boilers with Probe LWCO ONLY	Weil-McLain		X	X	X	X	X	X	X	X	X

\*Combination Gas Valve Includes: Manual Gas Cock, Redundant Gas Valves, Main Pressure Regualtor, Pilot Take-off with filter and Pilot Adjust-ment.

GAS

## EG Series 4 Common Control Components

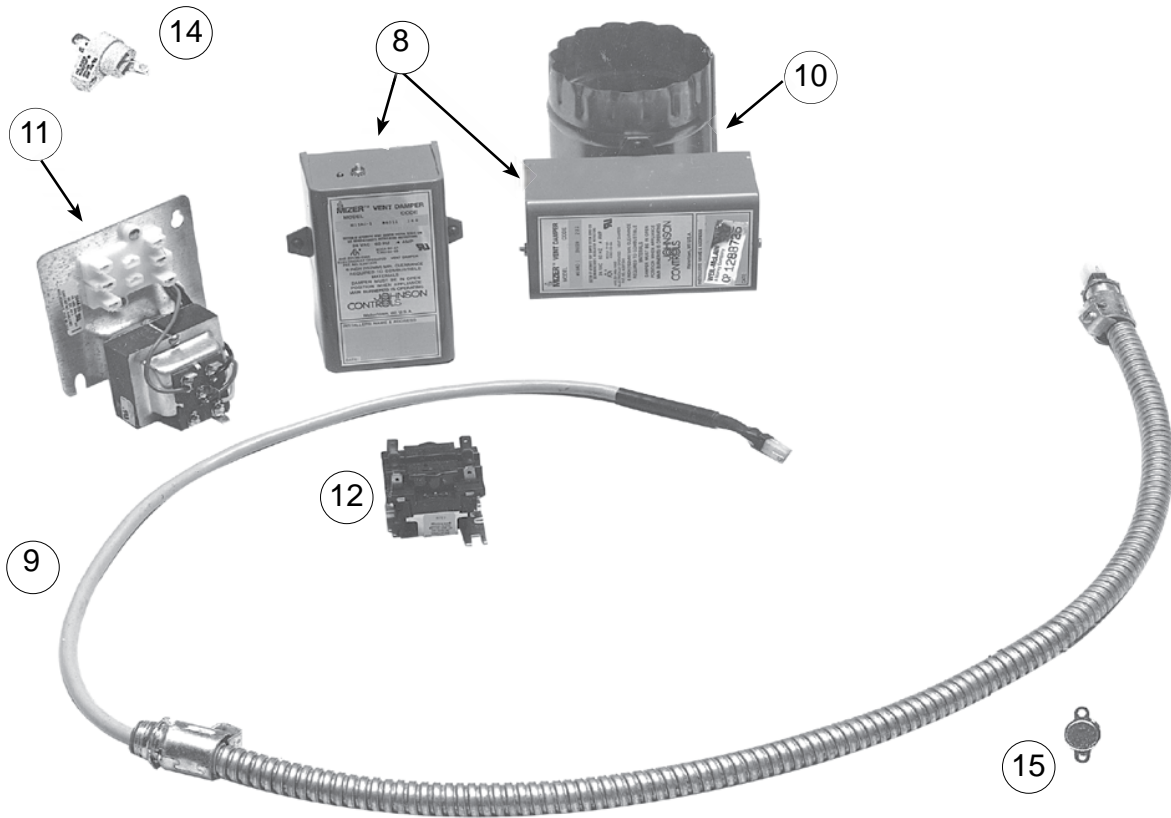


Fig. No.	Part No.	Description	Mfr	Mfr.'s Part No	EG Series 4 Boiler Size								
					30	35	40	45	50	55	65	75	
8	510-512-337	Vent Damper Motor with Molex (for use on Effikal dampers only)	Effikal	RVGP	X	X	X	X	X	X	X	X	X
9	591-391-795	Damper Wiring Harness with Molex (from controls wiring harness to damper)	Weil-McLain		X	X	X	X	X	X	X	X	X
10	381-800-475	Vent Damper Assembly, 5"	Effikal	RVGP-KS-5BKF	X	X							
			Johnson	G35GD	X	X							
	381-800-476	Vent Damper Assembly, 6"	Effikal	RVGP-KS-6BKF			X	X					
			Johnson	G35GF			X	X					
	381-800-477	Vent Damper Assembly, 7"	Effikal	RVGP-KS-7BKF					X	X			
			Johnson	G35GH					X	X			
381-800-488	Vent Damper Assembly, 8"	Effikal	RVGP-KS-8BKF								X	X	
		Johnson	G35GK								X	X	
11	510-312-166	Combination Transformer-relay Receptacle, 120/24V, 40VA	Honeywell	R8285K1004									
			White-Rogers	S84A-85	X	X	X	X	X	X	X	X	X
12	510-350-223	Plug-in Relay, DPST, 24 volt coil	Honeywell	R8222U1006	X	X	X	X	X	X	X	X	X
			White-Rogers	91-112006-11000	X	X	X	X	X	X	X	X	X
14	512-050-230	Rollout Thermal Fuse, 229°C	Microtemp	G4AM0600229C	X	X	X	X	X	X	X	X	X
			Elmwood	RD226-001	X	X	X	X	X	X	X	X	X
15	510-300-013	Spill Switch with reset, 210°F	Elmwood	2455RM8174-187	X	X	X	X	X	X	X	X	X

# NOTES

## EG Series 1-4 Standing Pilot

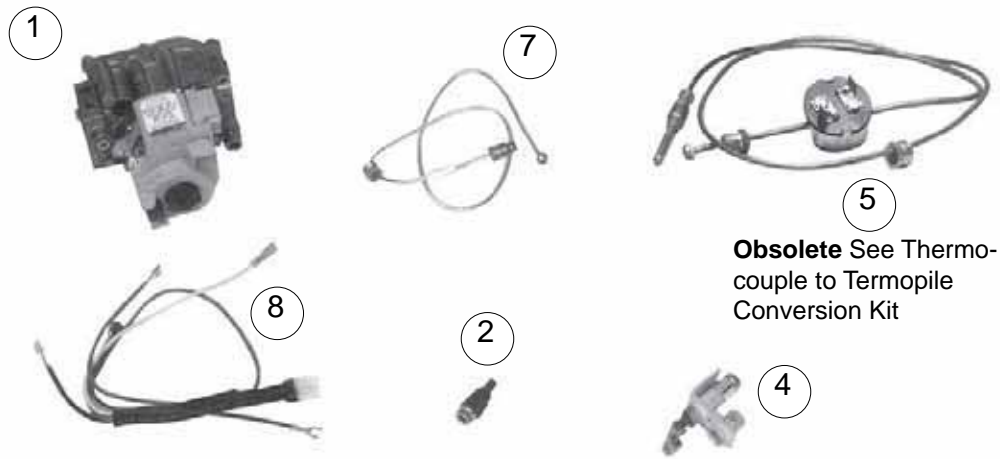


Fig. No.	Part No.	Description	Mfr	Mfr.'s Part No	EG Series 4 Boiler Size							
					30	35	40	45	50	55	65	75
<b>Components For Natural Gas Only</b>												
1N	511-044-360	Combination Gas Control Valve, 1/2" x 1/2" N.P.T., 24 volt	Honeywell	VR8200A2116	X	X	X	X	X			
	Robertshaw		7200ER7A0-A1B-042	X	X	X	X	X				
	511-044-256	Combination Gas Control Valve, 3/4" x 3/4" N.P.T., 24 volt	Honeywell	VR8300C4050						X	X	
	510-811-641	Combination Gas Control Valve*, 3/4" x 1" N.P.T., 24 volt thermopile	Robertshaw	7000ERHC-S7C-5D7-501-723								X
2N	560-528-950	Natural Gas Pilot Orifice, .026 Dia. (for Q-327 pilot, below)	Honeywell	388146-AG								X
NS	510-811-640	Natural Gas Pilot Replacement Kit (Includes: slotted main burner with pilot bracket, pilot, thermocouple and tubing with fittings)	Weil-McLain		X	X	X	X	X	X	X	
NS	510-811-461	Thermocouple to thermopile conversion kit for natural gas	Weil-McLain									X
<b>Components For Propane Gas Only</b>												
1P	511-044-258	Combination Gas Control Valve 1/2" x 1/2" N.P.T., 24 volt	Honeywell	VR8200-C1074	X	X	X	X	X			
	511-044-257	Combination Gas Control Valve, 3/4" x 3/4" N.P.T., 24 volt	Honeywell	VR8300-C4100						X	X	
	510-811-643	Combination Gas Control Valve, 3/4" x 1" N.P.T., 24 volt	Robertshaw	7000ERHC-S7C5D7-502-789								X
2P	560-528-957	Propane Gas Pilot Orifice, .010 Dia. (for Q-327 pilot, below)	Honeywell	388146-KR								X

## EG Series 4 Standing Pilot

NS	510-811-642	Propane Gas Pilot Replacement Kit (Includes: slotted main burner with pilot bracket, pilot, thermocouple and tubing with fittings)	Weil-McLain		X	X	X	X	X	X	X	
NS	510-811-462	Thermocouple to thermopile conversion kit for propane gas	Weil-McLain									X
<b>Components For Natural Gas And Propane</b>												
4	511-330-186	Pilot burner, constant burning, thermally supervised	Honeywell	Q327A1642								X
NS	511-724-259	Thermopile, 36"	Robertshaw	CP-2								X
NS	590-850-561	5" lead wire	Weil-McLain									X
7	560-742-860	Pilot tubing, aluminum 1/8" OD x 22 3/4" long with compression fittings	Weil-McLain		X	X	X	X	X	X	X	X
8	540-130-955	Wiring Harness for water boilers without tankless heater only	Weil-McLain		X	X	X	X	X	X	X	X
	540-130-956	Wiring Harness for water boilers with tankless heater only	Weil-McLain			X	X	X	X	X	X	
	540-130-957	Wiring Harness for steel boilers with float LWCO only	Weil-McLain		X	X	X	X	X	X	X	X
	540-130-958	Wiring Harness for steel boilers with probe LWCO only	Weil-McLain		X	X	X	X	X	X	X	X
NS	510-811-395	Natural To Propane Conversion Kit	Weil-McLain		X	X	X	X	X			
NS	510-811-396		Weil-McLain							X	X	
NS	510-811-397		Weil-McLain									X
NS	510-811-398		Weil-McLain		X	X	X	X	X			
NS	510-811-399		Weil-McLain							X	X	
NS	510-811-402		Weil-McLain									X
NS	511-724-254		Thermocouple natural gas	Weil-McLain		X	X	X	X	X	X	X
NS	511-724-253	Thermocouple LP gas	Weil-McLain		X	X	X	X	X	X	X	

## EG Series 4 Water Trim

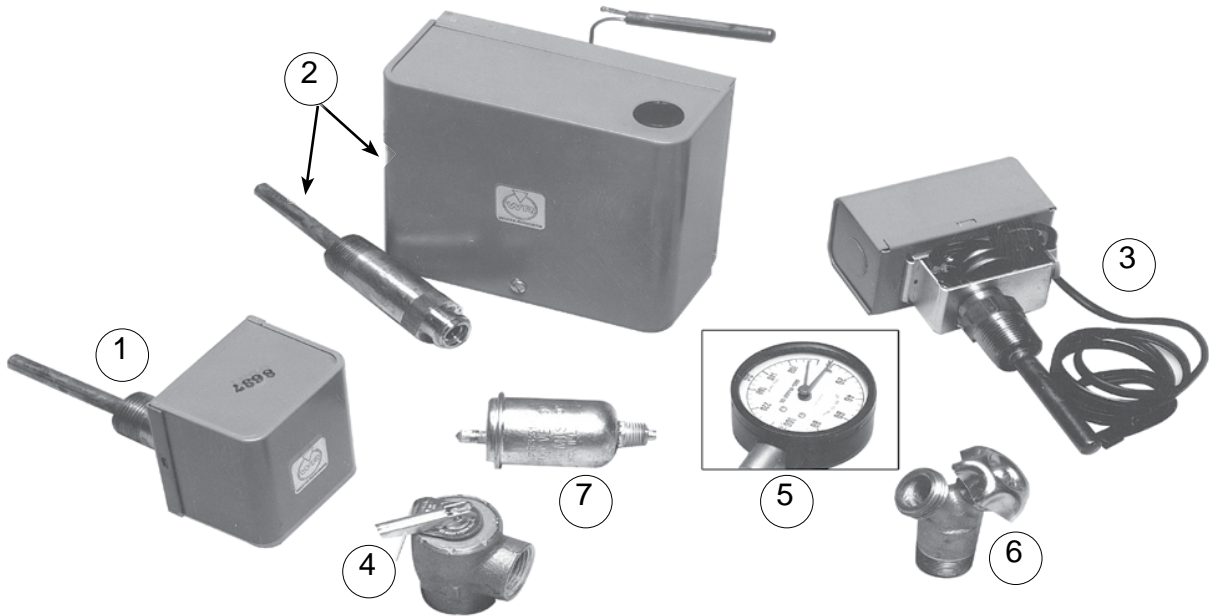


Fig. No.	Part No.	Description	Mfr	Mfr.'s Part No	EG Series 4 Boiler Size								
					30	35	40	45	50	55	65	75	
<b>Temperature Controls For All EG Water Boilers Without Tankless Heaters (Except EG-75 Standing Pilot)</b>													
1	510-312-209	High Limit Temperature Control, SPST, auto recycle (140-240°F range), 10°F fixed subtractive differential, with 3/4" N.P.T. well	Honeywell	L4080B1311	X	X	X	X	X	X	X	X	X
			White-Rogers	1B83-16	X	X	X	X	X	X	X	X	X
<b>Temperature Controls For EG-75 Standing Pilot Water Boilers Without Tankless Heater</b>													
2	510-312-150	Combination Operating Limit (140-240°F range) and fixed high limit (240°F temperature control, auto recycle, DPST, with 3/4" well. Fixed height limit furnished with wire leads for connection to thermocouple spade terminal block	Carlin	90224									X
<b>Temperature Controls ALL EG Water Boilers With Tankless Heaters</b>													
3	510-312-249	Combination High Limit-Low Limit with circulator control with transformer. High limit: SPST, auto recycle, 140-240°F range, 10°F subtractive differential. Low limit/CIRC control: SPDT, auto recycle, 110-215°F range, 10-25°F adjustable additive differential	Honeywell	L8124E1065	X	X	X	X	X	X	X	X	X
	592-300-005	Immersion Well, 3/4" N.P.T. with 3 1/8" shank	Honeywell	L2387	X	X	X	X	X	X	X	X	X

## EG Series 4 Water Trim

<b>Trim For All EG Water Boilers</b>												
4	511-546-924	ASME Pressure Relief Valve, set to relieve at 30 PSIG, ¾" N.P.T. female inlet	Watts	335	X	X	X	X	X	X	X	
			Conbraco	10-408-05	X	X	X	X	X	X	X	
5	510-218-097	Combination Gauge, 2 ½" dial, 0-75 PSIG, 70-320°, back mount	U.S. Gauge	19998	X	X	X	X	X	X	X	
			ENF	4104-2-1/2-1/4	X	X	X	X	X	X	X	
6	512-210-423	Drain valve, 3/4" valve NPT, 1 1/2" shank	Conbraco	31-606-01	X	X	X	X	X	X		
7	510-148-567	Automatic Air Vent	Taco	400-3	X	X	X	X	X	X	X	
NS	590-921-904	Tankless Heater – water boiler (Includes: heater, gasket, nuts and studs)	Heat Transfer Products	E-624		X		X				
NS	590-921-905		Heat Transfer Products	E-626					X	X		
NS	590-921-906		Heat Transfer Products	E-632							X	X

## EG Series 4 Steam Trim

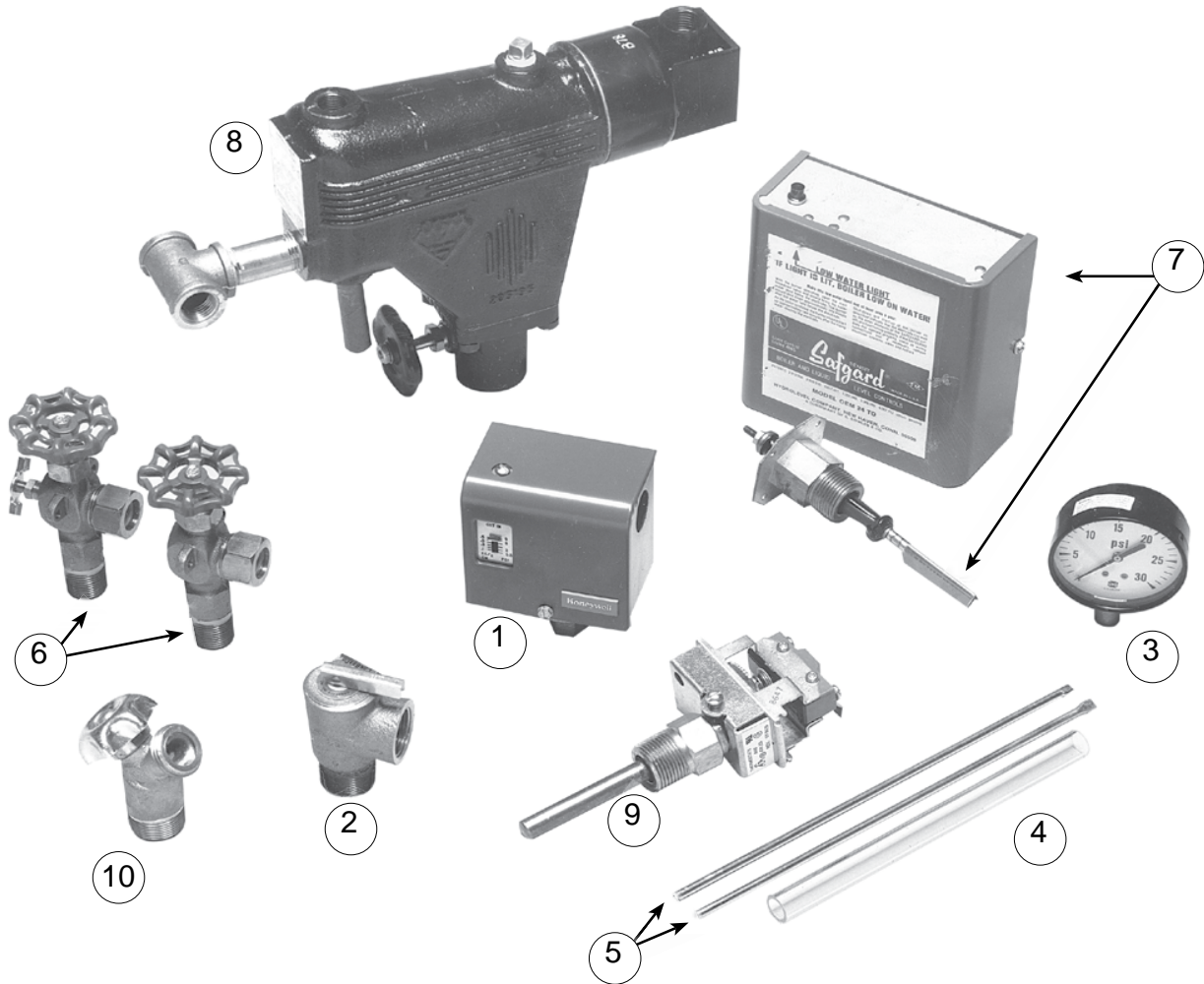


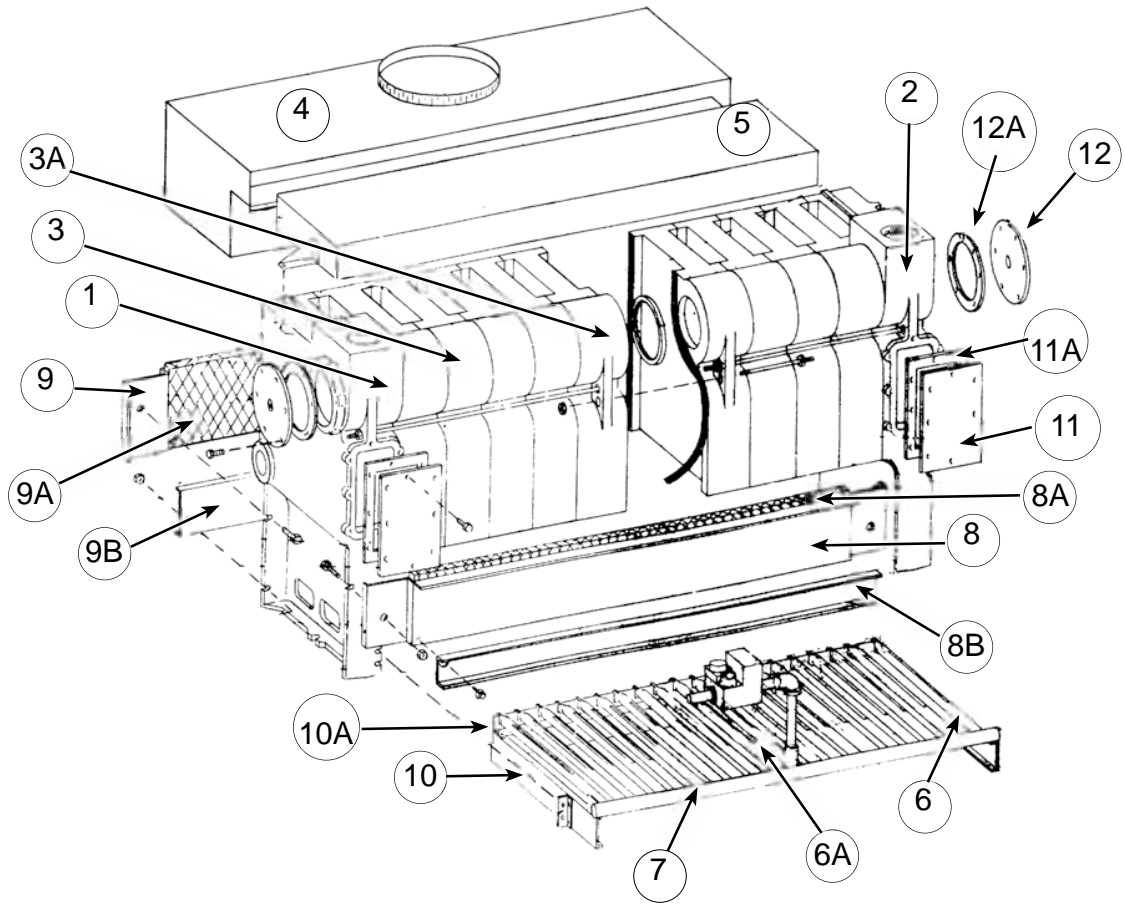
Fig. No.	Part No.	Description	Mfr	Mfr.'s Part No	EG Series 4 Boiler Size								
					30	35	40	45	50	55	65	75	
<b>Trim For All EG Steam Boilers</b>													
1	510-312-135	High Pressure Limit Control, SPST, auto recycle, 0-9 PSIG range, 0-5 PSIG additive differential, 1/4" N.P.T. bottom connection	Honeywell	PA-404-A	X	X	X	X	X	X	X	X	X
2	511-548-023	Steam Relief Valve, 15 PSIG, with 3/4" N.P.T. male inlet	Conbraco	13-501-08	X	X	X	X	X	X	X	X	X
			Watts	315	X	X	X	X	X	X	X	X	X
3	510-218-045	Pressure Gauge 0-30 PSIG, 2 1/2" dial, 1/4" N.P.T. bottom mount	Winters	E1437	X	X	X	X	X	X	X	X	X
			Ametek	P505K									
4	383-600-000	Water Gauge Glass Kit, 5/8" x 7 3/8" with gaskets and brass washers	Weil-McLain				X						
5	563-334-580	Water Gauge Glass Guard, 3/8" x 9 3/8" (2 per unit)	Weil-McLain		X	X	X	X	X	X	X	X	X



## EG Series 4 Steam Trim

<b>Probe Type Low Water Cut-off Components For EG Steam Boilers</b>												
6	510-218-145	Water Gauge Glass Cocks, set, ½" N.P.T., male inlet, long stem	Conbraco	21-205-03-W	X	X	X	X	X	X	X	X
			United Brass Works	905-946	X	X	X	X	X	X	X	X
7	511-114-515	Low Water Cut-Off, SPDT, ¾" male electrode type, 24 volt	Hydrolevel	400	X	X	X	X	X	X	X	X
	511-144-516	Low Water Cut-Off, SPDT, ¾" male electrode type, 24 volt	McDonnell-Miller	PS-802-24	X	X	X	X	X	X	X	X
<b>Float Type Low Water Cut-off Components For EG Steam Boilers</b>												
6	510-218-135	Water Gauge Glass Cocks, set, ½" N.P.T., female inlet, Std stem	Conbraco	20-205-03-W	X	X	X	X	X	X	X	X
			United Brass Works	905A-946A	X	X	X	X	X	X	X	X
8	511-114-494	Low Water Cut-Off, SPDT, ½" N.P.T. float type, 24 volt	McDonnell-Miller	67W-1	X	X	X	X	X	X	X	X
<b>Tankless Heater Operating Temperature Control For EG Steam Boilers</b>												
9	510-312-250	Operating Temperature Control, SPST, auto recycle, 140-240°F subtractive differential with ¾" N.P.T. well	Honeywell	L4080D1036		X	X	X	X	X	X	
			White-Rogers	11B81-3		X	X	X	X	X	X	
Additional Trim For All P-EG Steam Boilers												
10	511-210-423	Drain Valve, ¾" N.P.T., 1 ½" shank	Conbraco	31-606-01	X	X	X	X	X	X		
NS	590-921-903	Tankless Heater – steam boiler (Includes: heater, tankless aquastat (Honeywell L4080B-1311), gasket, nuts and studs	Heat Transfer Products	35-S-29	X	X	X	X	X	X	X	X
NS	560-340-577	Tankless stud and nut			X	X	X	X	X	X	X	X

# EGH Section and Base Assembly Series 4



GAS

## EGH Section and Base Assembly Series 4

Fig. No.	Part No.	Description	Boiler Series
1	311-800-014	Left Hand End Section With Heater Opening	1, 2, 3, 4
NS	311-800-007	Left Hand End Section Without Heater Opening	1, 2, 3, 4
2	311-800-022	Right Hand End Section With Heater Opening	1, 2, 3, 4
NS	311-800-032	Right Hand End Section Without Heater Opening	1, 2, 3, 4
3	311-800-010	Intermediate Section	1, 2, 3, 4
3A	311-800-026	Intermediate Section With Tie Rod Lugs	1, 2, 3, 4
NS	321-711-100	Section Assembly, Complete: EGH-85 with heater opening	1, 2, 3, 4
NS	321-711-105	Section Assembly, Complete: EGH-85 without heater opening	1, 2, 3, 4
NS	321-711-110	Section Assembly, Complete: EGH-95 with heater opening	1, 2, 3, 4
NS	321-711-115	Section Assembly, Complete: EGH-95 without heater opening	1, 2, 3, 4
NS	321-711-120	Section Assembly, Complete: EGH-105 with heater opening	1, 2, 3, 4
NS	321-711-125	Section Assembly, Complete: EGH-105 without heater opening	1, 2, 3, 4
NS	321-711-130	Section Assembly, Complete: EGH-115 with heater opening	1, 2, 3, 4
NS	321-711-135	Section Assembly, Complete: EGH-115 without heater opening	1, 2, 3, 4
NS	321-711-140	Section Assembly, Complete: EGH-125 with heater opening	1, 2, 3, 4
NS	321-711-145	Section Assembly, Complete: EGH-125 without heater opening	1, 2, 3, 4
NS	381-800-667	Section Replacement Kit (Includes: (1) 3" and 6" Elastomer seal, 1/4" rope seal) Order 1 per joint between sections	1, 2, 3, 4
NS	592-800-010	3" Dia. Bottom Elastomer Seal (1 per joint)	1, 2, 3, 4
NS	562-800-007	6" Dia. Top Elastomer Seal (1 per joint)	1, 2, 3, 4
NS	590-735-122	Sealer for Sections (1/4" rope – 4' per joint) 22.75" need 3 qty.	1, 2, 3, 4
NS	560-234-465	1/2" x 7" tie rod without nut (2 per boiler)	1, 2, 3, 4
NS	560-234-472	1/2" x 17" tie rod without nut ((4) for EHG-85, (2) for EHG-95)	1, 2, 3, 4
NS	560-234-477	1/2" x 21 1/4" tie rod without nut ((2) for EGH-95, EGH-115; (4) for EGH-105)	1, 2, 3, 4
NS	560-234-482	1/2" x 25 1/4" tie rod without nut ((2) for EGH-115, (4) for EGH-125)	1, 2, 3, 4
NS	561-928-221	1/2" Nut (2 per tie rod)	1, 2, 3, 4
NS	562-248-668	1/2" Lock washer (1 per tie rod)	1, 2, 3, 4
NS	591-602-913	Retort cement (1 quart)	1, 2, 3, 4
NS	591-706-214	Flue brush, 124 DMG	1, 2, 3, 4
4	450-506-240	Draft Hood: EGH-85	1, 2, 3, 4
	450-206-241	Draft Hood: EGH-95	1, 2, 3, 4
	450-206-242	Draft Hood: EGH-105	1, 2, 3, 4
	450-206-243	Draft Hood: EGH-115	1, 2, 3, 4
	450-206-244	Draft Hood: EGH-125	1, 2, 3, 4
5	450-014-750	Collector Hood: EGH-85	1, 2, 3, 4
	450-014-751	Collector Hood: EGH-95	1, 2, 3, 4
	450-014-752	Collector Hood: EGH-105	1, 2, 3, 4
	450-014-753	Collector Hood: EGH-115	1, 2, 3, 4
	450-014-754	Collector Hood: EGH-125	1, 2, 3, 4
6	512-200-000	Burner, Stainless Tube, Regular (note 2)	1, 2, 3, 4
6A	512-200-001	Burner, Stainless Tube With Pilot Bracket (note 2)	1, 2, 3, 4

## EGH Section and Base Assembly Series 4

7	591-125-543	Manifold: EGH-85	1, 2, 3, 4
	591-125-544	Manifold: EGH-95	1, 2, 3, 4
	591-125-545	Manifold: EGH-105	1, 2, 3, 4
	591-125-546	Manifold: EGH-115	1, 2, 3, 4
	591-125-547	Manifold: EGH-125	1, 2, 3, 4
8		Front base panel: (In base panel carton)	1, 2, 3, 4
8A		Front Base Insulation (In base carton)	
8B		Base front access panel: (In base panel carton)	1, 2, 3, 4
9		Back base panel: (In base panel carton)	1, 2, 3, 4
9A		Back Base Insulation (In base carton)	
9B		Back base channel: (In base panel carton)	1, 2, 3, 4
10	451-800-070	Side rail for burner pan with bracket for burner pan (2 required)	1, 2, 3, 4
10A	451-800-095	Back burner support: EGH-85	1, 2, 3, 4
	451-800-096	Back burner support: EGH-95	1, 2, 3, 4
	451-800-097	Back burner support: EGH-105	1, 2, 3, 4
	451-800-098	Back burner support: EGH-115	1, 2, 3, 4
	451-800-099	Back burner support: EGH-125	1, 2, 3, 4
NS	381-700-240	Base Panel Carton – EGH-85 (Includes: front base insulation, front base panel, base front access panel, back base insulation, back base panel, and back base channel)	2, 3, 4
NS	381-700-245	Base Panel Carton – EGH-95 (Includes: front base insulation, front base panel, base front access panel, back base insulation, back base panel, and back base channel)	2, 3, 4
NS	381-700-250	Base Panel Carton – EGH-105 (Includes: front base insulation, front base panel, base front access panel, back base insulation, back base panel, and back base channel)	2, 3, 4
NS	381-700-255	Base Panel Carton – EGH-115 (Includes: front base insulation, front base panel, base front access panel, back base insulation, back base panel, and back base channel)	2, 3, 4
NS	381-700-260	Base Panel Carton – EGH-125 (Includes: front base insulation, front base panel, base front access panel, back base insulation, back base panel, and back base channel)	2, 3, 4
11	389-900-103	Cover Plate for Heater Opening (rectangular)	1, 2, 3, 4
11A	590-317-579	Gasket for Cover Plate (rectangular)	1, 2, 3, 4
12	389-900-101	Cover plate for heater opening (round)	1, 2, 3, 4
12A	590-317-495	Gasket for cover plate (round)	1, 2, 3, 4
NS	451-800-120	Burner Shields (rollout): EGH-85	3, 4
NS	451-800-121	Burner Shields (rollout): EGH-95	3, 4
NS	451-800-122	Burner Shields (rollout): EGH-105	3, 4
NS	451-800-123	Burner Shields (rollout): EGH-115	3, 4
NS	451-800-124	Burner Shields (rollout): EGH-125	3, 4
NS	560-528-987	Main Burner Orifice, natural gas, 245mm (note 1)	1, 2, 3, 4
NS	560-528-988	Main Burner Orifice, propane gas, 155mm (note 1)	1, 2, 3, 4

**Notes:**

(1) Order sufficient quantities to replace all orifices within a base.

(2) Number of burners:

EGH-85: 13 main burners and 1 burner with pilot bracket

EGH-95: 15 main burners and 1 burner with pilot bracket

EGH-105: 17 main burners and 1 burner with pilot bracket

EGH-115: 19 main burners and 1 burner with pilot bracket

EGH-125: 21 main burners and 1 burner with pilot bracket

## EGH Intermittent Ignition Series 4

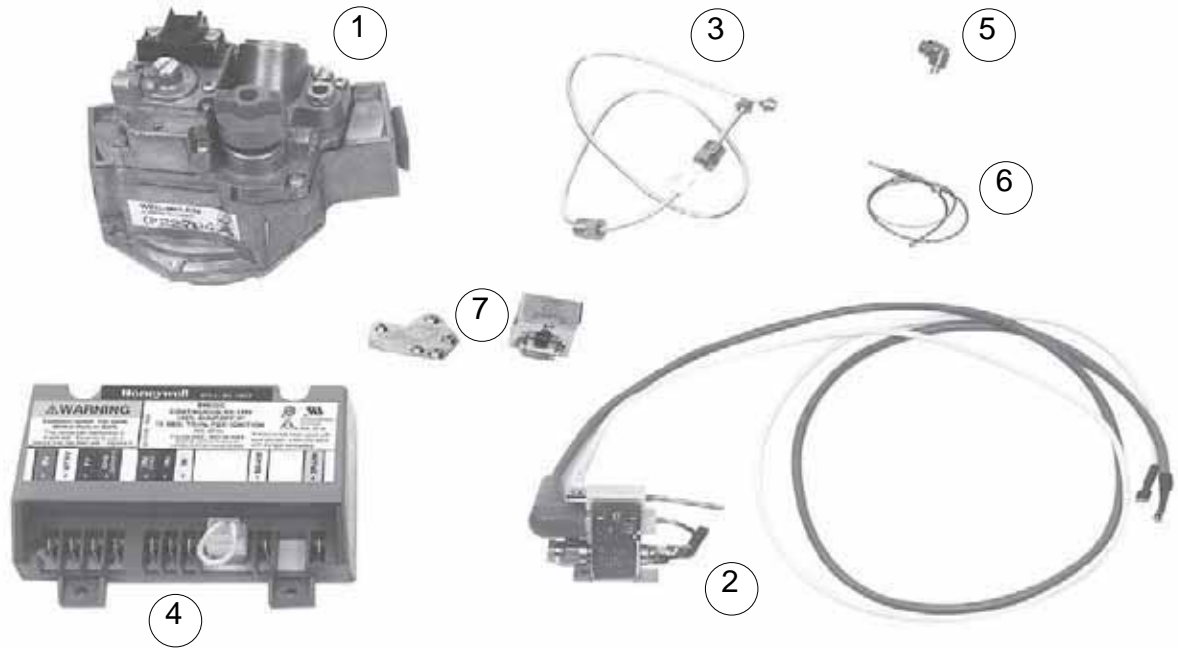


Fig. No.	Part No.	Description	Mfr	Mfr.'s Part No	EGH Series 4 Boiler Size				
					85	95	105	115	125
1	511-044-286	*Combination Gas Control Valve, 3/4" x 1"N.P.T., 24 Volt	Robertshaw	7000DER-HC-S7C-5R1-501-723	X	X			
	511-044-287	*Combination Gas Control Valve, 1" x 1"N.P.T., 24 Volt	Robertshaw	7000FTHC-S7C-5N6-501-723			X	X	X
2	511-330-221	NG PIN Pilot Burner Assembly with pilot burner, orifice, sensing lead and ignition cable	PSE	PSE-NA16	X	X	X	X	X
3	560-742-865	Pilot Tubing Aluminum 1/8" OD x 34" Long ,with Compression Fittings	Weil-McLain		X	X	X	X	X
4	511-330-097	Ignition Control Module without Molex 24 Volt	United Technologies	1003-611A 1003-511	X	X	X	X	X
NS	540-130-966	Wiring Harness (in Envelope Assy) for Water Boilers w/o Tankless Heater ONLY	Weil-McLain		X	X	X	X	X
NS	540-130-969	Wiring Harness (in Envelope Assy) for Water Boilers w/ Tankless Heater ONLY	Weil-McLain		X	X	X	X	X
NS	540-130-967	Wiring Harness (in Envelope Assy) for Steam Boilers with Float LWCO ONLY	Weil-McLain		X	X	X	X	X
NS	540-130-968	Wiring Harness (in Envelope Assy) for Steam Boilers with Probe LWCO ONLY	Weil-McLain		X	X	X	X	X
NS	510-811-390	Natural to propane conversion kit EGH 85-95 only	Weil-McLain		X	X			
NS	510-811-391	Natural to propane conversion kit EGH 105-125 only	Weil-McLain				X	X	X

\*Combination gas valve Includes: manual gas cock, redundant gas valves, main pressure regulator, pilot take-off with filter, pilot adjustment

## EGH Intermittent Ignition Series 4 LP Gas

Fig. No.	Part No.	Description	Mfr	Mfr.'s Part No	EGH Series 4 Boiler Size				
					85	95	105	115	125
NS	511-246-320	¾" hand valve with 1/8" tapping	Conbraco		X	X			
NS	511-.426-325	1" hand valve with 1/8" tapping	Conbraco				X	X	X
1	511-044-278	LP gas valve, ¾" x 1" spark pilot	Robert Shaw	M700FTHC-S7C	X	X			
1	511-044-279	LP gas valve, 1" x 1" spark pilot	Robert Shaw	M700DERHC-S7C			X	X	X
2	511-330-222	LP spark pilot burner (Includes: sparker, sensor, wires, pilot tubing and pilot burner)	PSE	LP16	X	X	X	X	X
3	560-742-865	1/8" x 34" pilot tubing for spark pilot burner			X	X	X	X	X
	511-330-186	Lp Standing Pilot Burner (Includes: orifice and pilot burner)	Honeywell	Q327A-1642	X	X	X	X	X
3	560-528-957	Propane Gas Pilot Orifice, .010 Dia. (for Q0327 pilot, below)	Honeywell	388146-KR	X	X	X	X	X
3	560-742-874	¼" by 32" pilot tubing for standing pilot burner			X	X	X	X	X
5	511-246-340	1/8" x ¼" Manual Pilot Shut Off Valve			X	X	X	X	X
6	511-724-254	Thermocouple, screw in, 30°			X	X	X	X	X
7	511-330-229	Pilot Switch Box For Standing Pilot	Johnson Controls	L626B-3C	X	X	X	X	X
<b>EGH CSD-1 Intermittent Ignition Natural Gas Only</b>									
	511-330-086	Control Module, 1 retry with alarm contacts	United Technologies	1003-615			X	X	X
	510-350-226	Impulse relay	Tyco	S89R-11ABD1-24			X	X	X
	511-624-580	Push Button Switch	Eaton	22K11810			X	X	X
	511-624-581	Red lens cover					X	X	X
		Lamp, 24 volt					X	X	X
	511-044-287	Combination Gas Valve, 1" x 1", 24 vac	Robert Shaw	7000DERHC-S7C			X	X	X
	511-246-290	Hand valve, 1"					X	X	X
	511-246-325	Hand valve, 1" with two 1/8" NPT taps					X	X	X
	511-246-339	Pilot shut off valve, 1/8" NPT x 1/4" compression					X	X	X
	510-933-195	Pilot regulator, 1/4" NPT	Maxitrol	RV20			X	X	X
	511-044-039	Pilot solenoid valve 1/4" NPT	Honeywell	V8046C-1014			X	X	X
	591-391-887	Wiring harness, gravity return steam	Weil-McLain				X	X	X
	591-391-888	Wiring harness, pumped return steam	Weil-McLain				X	X	X

## EGH 85 & 95 Standing Pilot Series 4

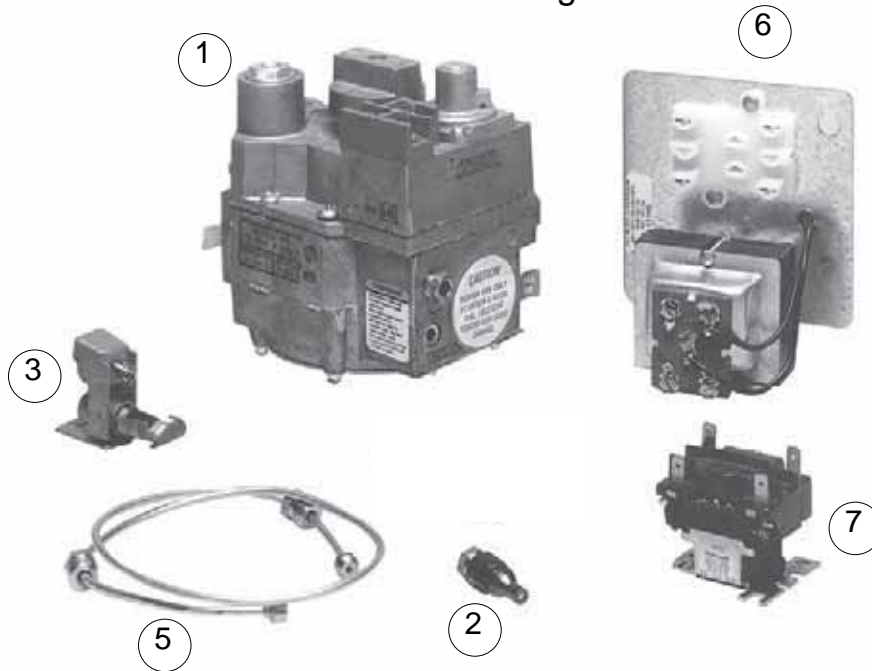


Fig. No.	Part No.	Description	Mfr	Mfr.'s Part No	Boiler Size	
					85	95
<b>Components For Natural Gas Only</b>						
1N	510-811-641	Combination Gas Control Valve*, ¾" x 1" N.P.T., 24 volt thermopile	Robertshaw	7000MSERHC-S7C-5D7-501-723	X	X
2N	560-528-950	Natural Gas Pilot Orifice, .026 Dia. (for Q-327 pilot, below)	Honeywell	388146-AG	X	X
<b>Components For Propane Gas Only</b>						
1P	510-811-643	Combination Gas Control Valve*, ¾" x 1" N.P.T., 24 volt	Robertshaw	5D7-502-789 MSERHC-S7C	X	X
2P	560-528-957	Propane Gas Pilot Orifice, .010 Dia. (for Q-327 pilot, below)	Honeywell	388146-KR	X	X
<b>Components For Natural Gas And Propane</b>						
3	511-330-186	Pilot Burner, constant burning, thermally supervised	Honeywell	Q327A1642	X	X
NS	511-724-259	Thermopile, 36"	Robertshaw	RSCP-2	X	X
5	560-742-865	Pilot tubing, aluminum 1/8" OD x 22 ¾" long with compression fittings	Weil-McLain		X	X
NS	590-850-561	5" lead wire with terminals	Weil-McLain		X	X
NS	570-811-461	Thermocouple To Thermopile Conversion Kit Natural Gas (Includes: natural gas valve, lead wires, thermopile and instructions)	Weil-McLain		X	X
NS	570-811-462	Thermocouple To Thermopile Conversion Kit Propane gas (Includes: LP gas valve, lead wire, thermopile and instructions)	Weil-McLain		X	X
NS	510-811-397	Natural To Propane Conversion Kit, standing pilot only	Weil-McLain		X	X
6**	510-312-166	Combination Transformer Relay Receptacle, 120/24V, 40VA	Honeywell	R8285K1004	X	X
			White-Rogers	S84A-85	X	X
7**	510-350-223	Plug-in relay, DPST, 24 volt coil	Honeywell	R8222U1006	X	X
			White-Rogers	91-112006-11000	X	X
	540-130-963	Wiring Harness For Water Boilers without tankless heater only	Weil-McLain		X	X
	540-130-964	Wiring Harness For Steam Boilers With Float LWCO only	Weil-McLain		X	X
	540-130-965	Wiring Harness For Steam Boilers With Probe LWCO only	Weil-McLain		X	X

\*Combination gas valve includes: manual gas cock, pilot operator, redundant gas valves, main press, regulator, pilot take-off with filter, pilot adjustment

\*\*Not used on EGH water boilers with tankless heaters

GAS

## EGH Common Components Series 4

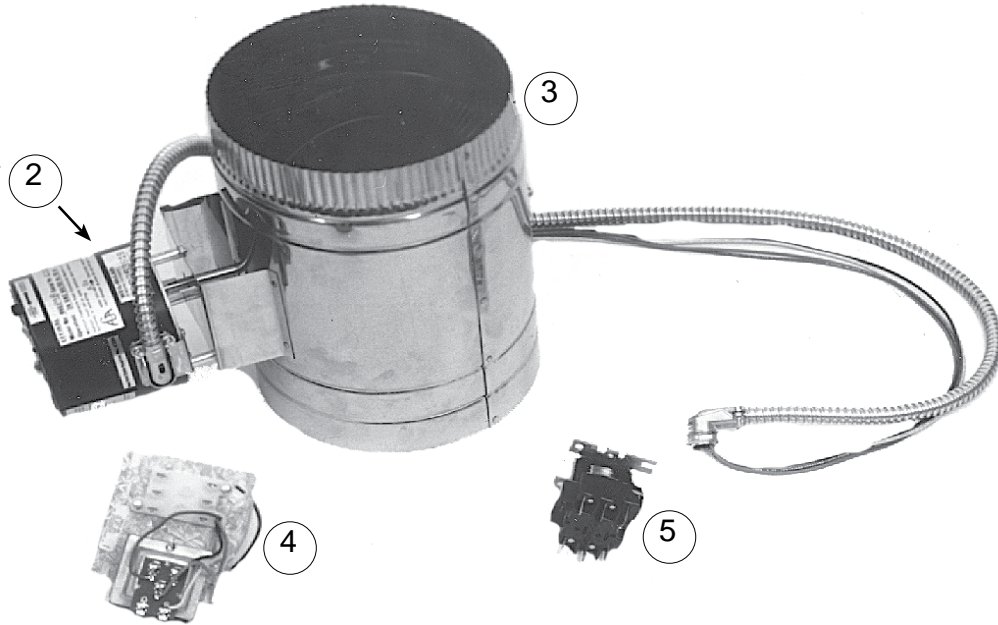


Fig. No.	Part No.	Description	Mfr.	Mfr.'s Part No.	EGH Series 4 Boiler Size				
					85	95	105	115	125
	591-381-795	Damper Wiring Harness With Molex (from controls wiring harness to damper)	Weil-McLain		x	x	x	x	
2	510-512-337	Vent Damper Motor With Molex (for use on Effikal dampers only)	Effikal	RVGP	x	x	x	x	x
3	381-800-445	Vent Damper Assembly, 9"	Effikal	RVGP-KS-9BF	x				
			Johnson	G35GM	x				
	381-800-446	Vent Damper Assembly, 10"	Effikal	RVGP-KS-10BF		x	x		
			Johnson	G35GP		x	x		
	381-800-447	Vent Damper Assembly, 12"	Effikal	RVGP-KS-12BF				x	x
			Johnson	G35GR				x	x
4	510-312-166	Combination Transformer Relay Receptacle, 120/24V, 40VA	Honeywell	R8285K1004	x	x	x	x	x
			White-Rogers	S84A-85	x	x	x	x	x
5	510-350-223	Plug-In Relay, DPST, 24 volt coil	Honeywell	R8222U1006				x	
			White-Rogers	91-112006-11000				x	



## EGH Water Trim Series 4

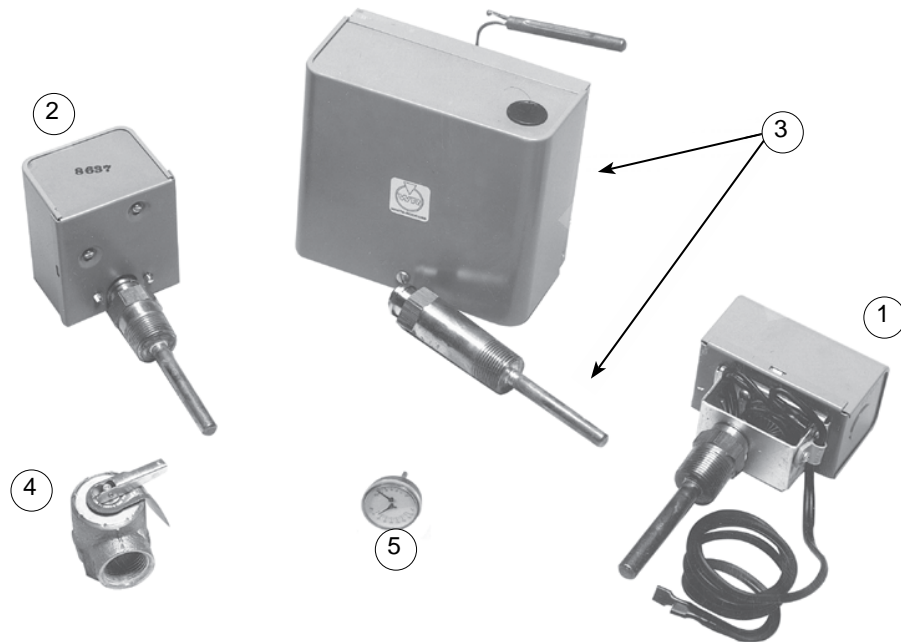
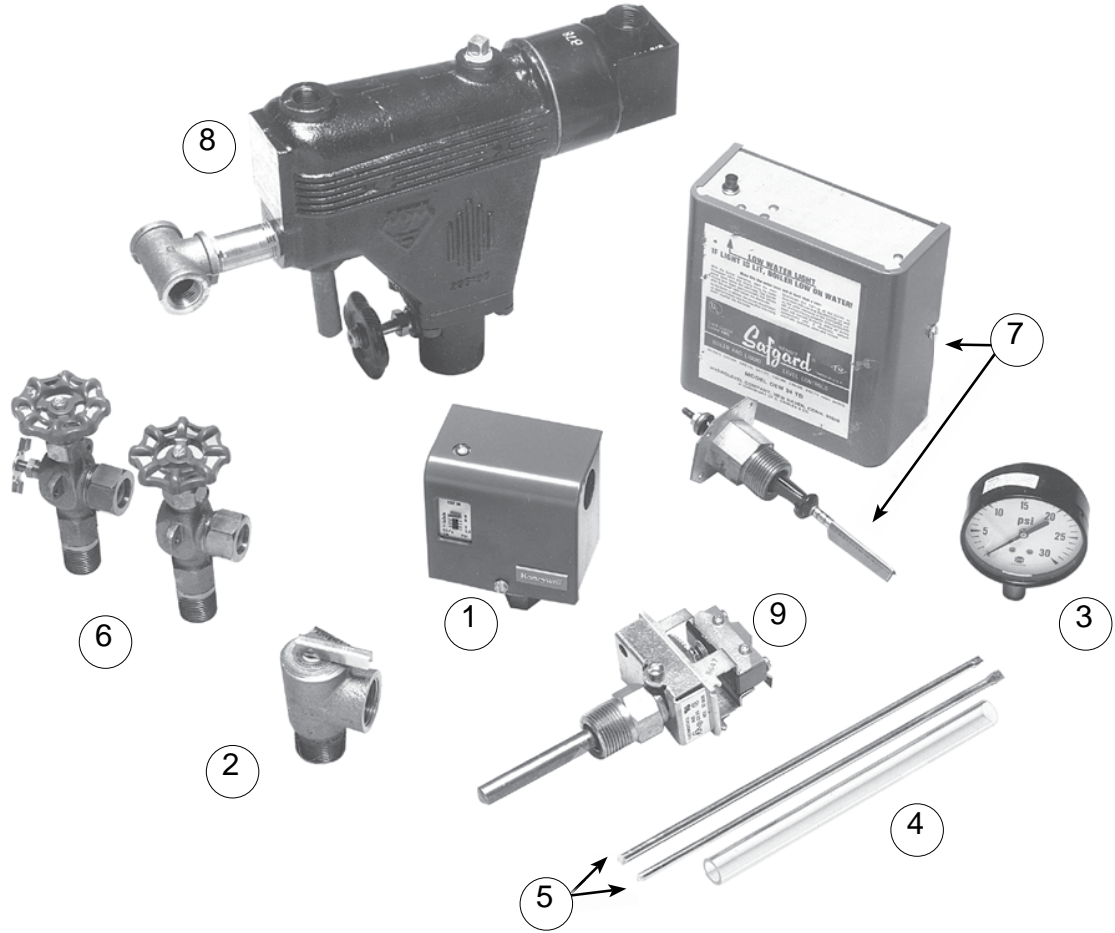


Fig. No.	Part No.	Description	Mfr	Mfr.'s Part No	EG Series 4 Boiler Size					
					85	95	105	115	125	
<b>Temperature Controls For All EGH Standing Pilot Boilers</b>										
1	510-312-150	Combination Operating Limit (140-240°F range) and fixed high limit (240°F temperature control, auto recycle, DPST, with 3/4" well. Fixed height limit furnished with wire leads for connection to thermocouple spade terminal block	Carlin	90224	X	X				
<b>Temperature Controls For PO and PID Boilers Without Tankless Heaters</b>										
2	510-312-209	High Limit Temperature Controls, SPST, Auto recycle, 140-240°F range, 10°F fixed subtractive differential, with 3/4" well	White-Rogers	11B83-16						
			Honeywell	L4080B1311						
<b>Temperature Controls For PI and PID Boilers With Tankless Heaters</b>										
3	510-312-249	Combination High Limit-low limit with circulator control with transformer. High limit: SPST, auto recycle, 140-240°F range, 10°F subtractive differential. Low limit/CIRC control: SPDT, auto recycle, 110-215°F range, 10-25°F adjustable additive differential	Honeywell	L8124E1065	X	X	X	X	X	
	592-300-005	Immersion well, 3/4" N.P.T. with 3 1/8" shank	Honeywell	123871A	X	X	X	X	X	
<b>Water Trim Components Common To All EGH Boilers</b>										
4	511-546-924	ASME Pressure Relief Valve, set to relieve at 30 PSIG, 3/4" N.P.T. female inlet	Watts	335	X	X	X	X	X	
			Conbraco	10-408-05	X	X	X	X	X	
5	510-218-097	Combination Gauge, 2 1/2" dial, 0-75 PSIG, 70-320°, back mount	U.S. Gauge	19998	X	X	X	X	X	
			ENF	4104-2-1/2-1/4 CMB-30	X	X	X	X	X	
NS	590-921-901	Tankless heater- water boiler (Includes: heater, gasket, nuts and studs. For all sizes EGH boiler)	Heat Transfer Products	E-632						

# EGH Steam Trim Series 4



GAS

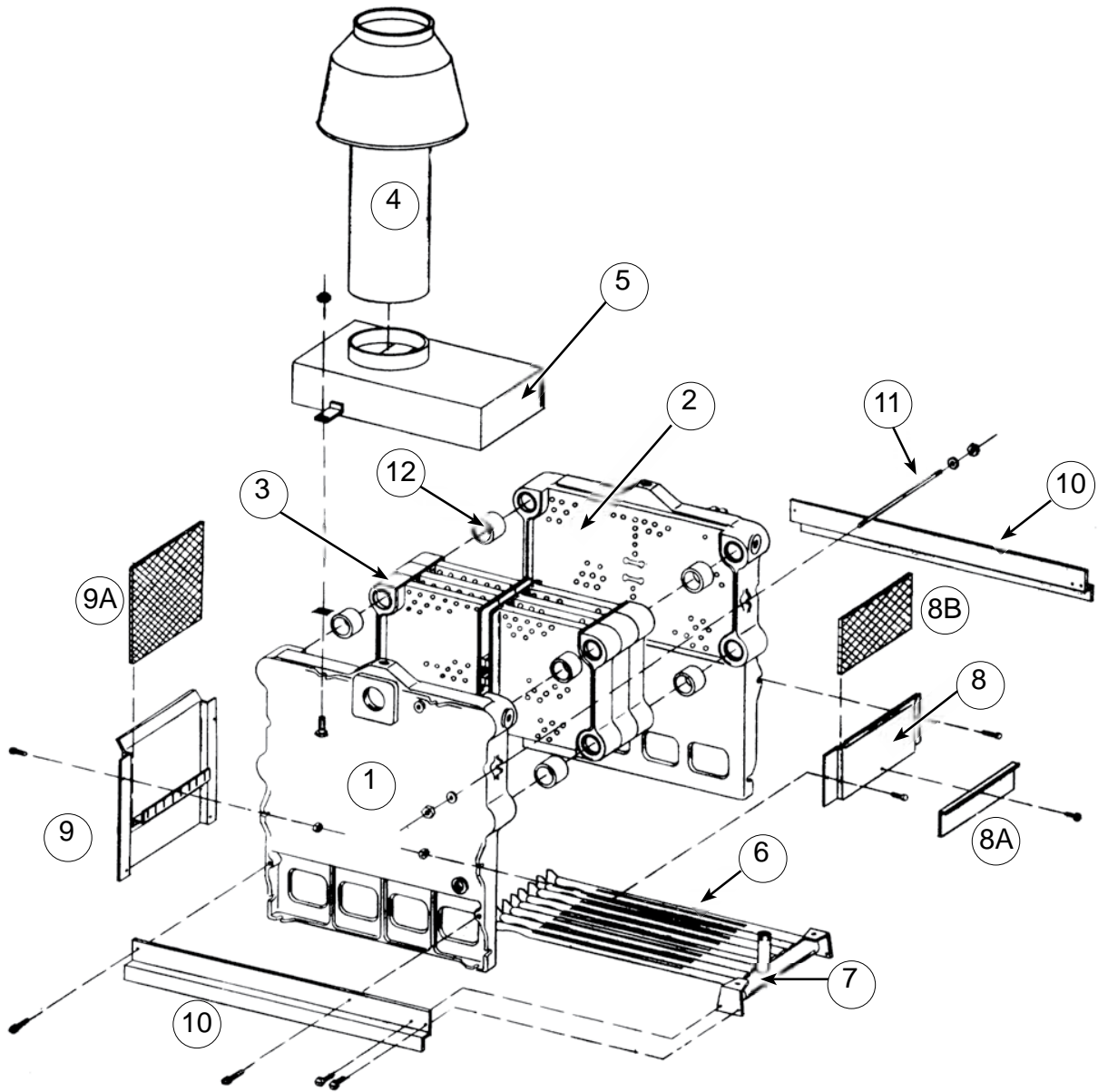
## EGH Steam Trim Series 4

Fig. No.	Part No.	Description	Mfr	Mfr.'s Part No	EGH Series 4 Boiler Size				
					85	95	105	115	125
<b>Trim For All EGH Steam Boilers</b>									
1*	510-312-135	High Pressure Limit Control, SPST, auto recycle, 0-9 PSIG range, 0-5 PSIG additive differential, ¼" N.P.T. bottom connection	Honeywell	PA-404-A	X	X	X	X	X
2	511-548-020	Steam Relief Valve, 15 PSIG, with ¾" N.P.T. male inlet	Conbraco	13-211-08	X	X	X	X	X
			Watts	145	X	X	X	X	X
3	510-218-045	Pressure Gauge 0-30 PSIG, 2 ½" dial, ¼" N.P.T. bottom mount	Ametek	P505K	X	X	X	X	X
4	383-600-000	Water Gauge Glass Kit, 5/8" x 7 3/8" with gaskets and brass washers	Weil-McLain		X	X	X	X	X
5	563-334-580	Water Gauge Glass Guard, 3/8" x 9 3/8" (2 per unit)	Weil-McLain		X	X	X	X	X
<b>Probe Type Low Water Cut-off Components For EGH Steam Boilers</b>									
6	510-218-145	Water Gauge Glass Cocks, set, ½" N.P.T., male inlet, long stem	Conbraco	21-205-03-W	X	X	X	X	X
			United Brass Works	905-946	X	X	X	X	X
7*	511-114-515	Low Water Cut-off, SPDT, ¾" male electrode type, 24 volt	Hydrolevel	400	X	X	X	X	X
<b>Float Type Low Water Cut-off Components For EGH Steam Boilers</b>									
6	510-218-135	Water Gauge Glass Cocks, set, ½" N.P.T., female inlet, Std stem	Conbraco	20-205-03-W	X	X	X	X	X
					X	X	X	X	X
8	511-114-494	Low Water Cut-off, SPDT, ½" N.P.T. float type, 24 volt	McDonnell-Miller	67W-1	X	X	X	X	X
<b>Tankless Heater Operating Temperature Control For EGH Steam Boilers</b>									
9	510-312-250	Operating Temperature Control, SPST, auto recycle, 140-240°F subtractive differential with ¾" N.P.T. well	Honeywell	L4080D1036	X	X	X	X	X
			White-Rogers	11B81-3	X	X	X	X	X
NS	590-921-903	Tankless Heater – steam boiler (Includes: heater, tankless aquastat (Honeywell L4080B-1311), gasket, nuts and studs)	Heat Transfer Products	35-S-29					

\*Alternate components

\* Two high limits used with EGH-85 and EGH-95 standing pilot steam boilers

# PFG Section and Base Assembly



GAS

## PFG Boiler Parts List Series 1 through 7

Fig. No.	Part No.	Description	Series
1	312-804-405	Left Hand End Section, 51113 *see note 1	7
2	312-804-415	Right Hand End Section, 51117	7
3	312-804-416	Intermediate Section Half, 51125 (Requires 2 per intermediate section)	7
	321-114-507	Section Assembly, Complete with well: PFG-5	1-7
	321-114-508	Section Assembly, Complete with well: PFG-6	1-7
	321-114-509	Section Assembly, Complete with well: PFG-7	1-7
	321-114-510	Section Assembly, Complete with well: PFG-8	1-7
	386-700-856	Section Assembly repair kit (1 per joint) (Includes: seals, guide ball bearings, silicone sealant, instructions)	7
4	450-021-200	Draft Hood, Vertical: PFG-5	1-7
	450-021-201	Draft Hood, Vertical: PFG-6	1-7
	450-021-202	Draft Hood, Vertical: PFG-7	1-7
	450-021-205	Draft Hood, Vertical: PFG-8	5-7
	591-638-851	RTV 108 or Equivalent	1-7
5	450-014-819	Collector Hood, PFG-5	4-7
	450-014-820	Collector Hood, PFG-6	4-7
	450-014-821	Collector Hood, PFG-7	4-7
	450-014-822	Collector Hood, PFG-8	4-7
6	512-200-022	Burner, Tubular Steel, Regular	5-7
	512-200-023	Burner, Tubular Steel with Pilot Bracket	5-7
7	591-125-820	Manifold: PFG-5	1-7
	591-125-821	Manifold: PFG-6	1-7
	591-125-822	Manifold: PFG-7	1-7
	591-125-823	Manifold: PFG-8	1-7
8B	591-222-020	Front Base Insulation: PFG-5	1-7
	591-222-021	Front Base Insulation: PFG-6	1-7
	591-222-022	Front Base Insulation: PFG-7	1-7
	591-222-025	Front Base Insulation: PFG-8	1-7
9A	591-222-030	Back Base Insulation: PFG-5	1-7
	591-222-031	Back Base Insulation: PFG-6	1-7
	591-222-032	Back Base Insulation: PFG-7	1-7
	591-222-033	Back Base Insulation: PFG-8	1-7
	560-529-055	Main Burner Orifice (Natural) No. 37 Drill	5-7
	560-529-056	Main Burner Orifice (Propane) 1.65mm Drill	5-7

\* Note 1: When replacing series 1-6 sections, entire block must be replaced. Series 1-6 used push nipples, no larger made. Series 7 users elastomer seals.

## PFG Boiler Parts List Series 1 through 7

11	560-234-422	Tie Rod w/o Nut (2 per Boiler): PFG-5, 3/8" X 15"	1-7
	560-234-433	Tie Rod w/o Nut (2 per Boiler): PFG-6, 3/8" X 18"	1-7
	560-234-437	Tie Rod w/o Nut (2 per Boiler): PFG-7, 3/8" X 21"	1-7
	560-234-443	Tie Rod w/o Nut (2 per Boiler): PFG-8, 3/8" X 24"	1-7
	560-234-439	Tie Rod w/o Nut (2 per Boiler): PFG-10, 3/8" X 30"	1
12	561-326-825	1-3/4" Dia. Push Nipple (4 per joint). Obsolete - will sell remaining inventory. Call for availability	1-6
	561-928-215	3/8" Nut (2 per Tie Rod)	1-7
	562-248-690	3/8" Washer (2 per Tie Rod)	1-7
	591-706-214	Flue Brush, 123 DMG	1-7
<b>Fig. No.</b>	<b>Part No.</b>	<b>Description</b>	<b>Series</b>
	591-638-851	Silicone Sealant RTV 700	5-7
	591-602-913	Retort Cement (1 Quart)	1-7
	460-003-700	Radiation Plate (2 per Joint)	4-7
	452-800-449	Flue Baffle: PFG-5, 5A	4-7
	452-800-451	Flue Baffle: PFG-6	4-7
	452-800-452	Flue Baffle: PFG-7	4-7
	452-800-453	Flue Baffle: PFG-8	4-7
	591-222-095	Flue Baffle Insulation: PFG-5,5A	4-7
	591-222-096	Flue Baffle Insulation: PFG-6	4-7
	591-222-097	Flue Baffle Insulation: PFG-7	4-7
	591-222-098	Flue Baffle Insulation: PFG-8	4-7
	412-800-115	Jacket Replacement: PFG-5	1-7
	412-800-120	Jacket Replacement: PFG-6	1-7
	412-800-125	Jacket Replacement: PFG-7	1-7
	412-800-130	Jacket Replacement: PFG-8	1-7
	569-928-020	Jacket Hardware Kit	1-7
8	452-800-500	Front Base Panel PFG-5	1-7
	452-800-501	Front Base Panel PFG-6	1-7
	452-800-502	Front Base Panel PFG-7	1-7
	452-800-503	Front Base Panel PFG-8	1-7
8A	452-800-540	Base Access Panel PFG-5	1-7
	452-800-541	Base Access Panel PFG-6	1-7
	452-800-542	Base Access Panel PFG-7	1-7
	452-800-543	Base Access Panel PFG-8	1-7
10	452-800-655	Right Hand/ Left Hand Base Rail (2 required)	1-7
9	452-800-580	Base Back Panel PFG-5	1-7
	452-800-581	Base Back Panel PFG-6	1-7
	452-800-582	Base Back Panel PFG-7	1-7
	452-800-583	Base Back Panel PFG-8	1-7

## PFG Trim

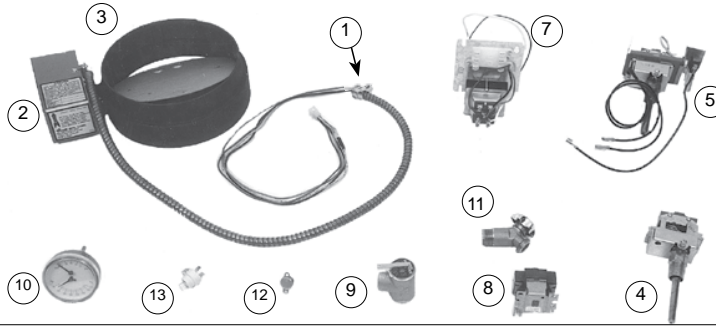
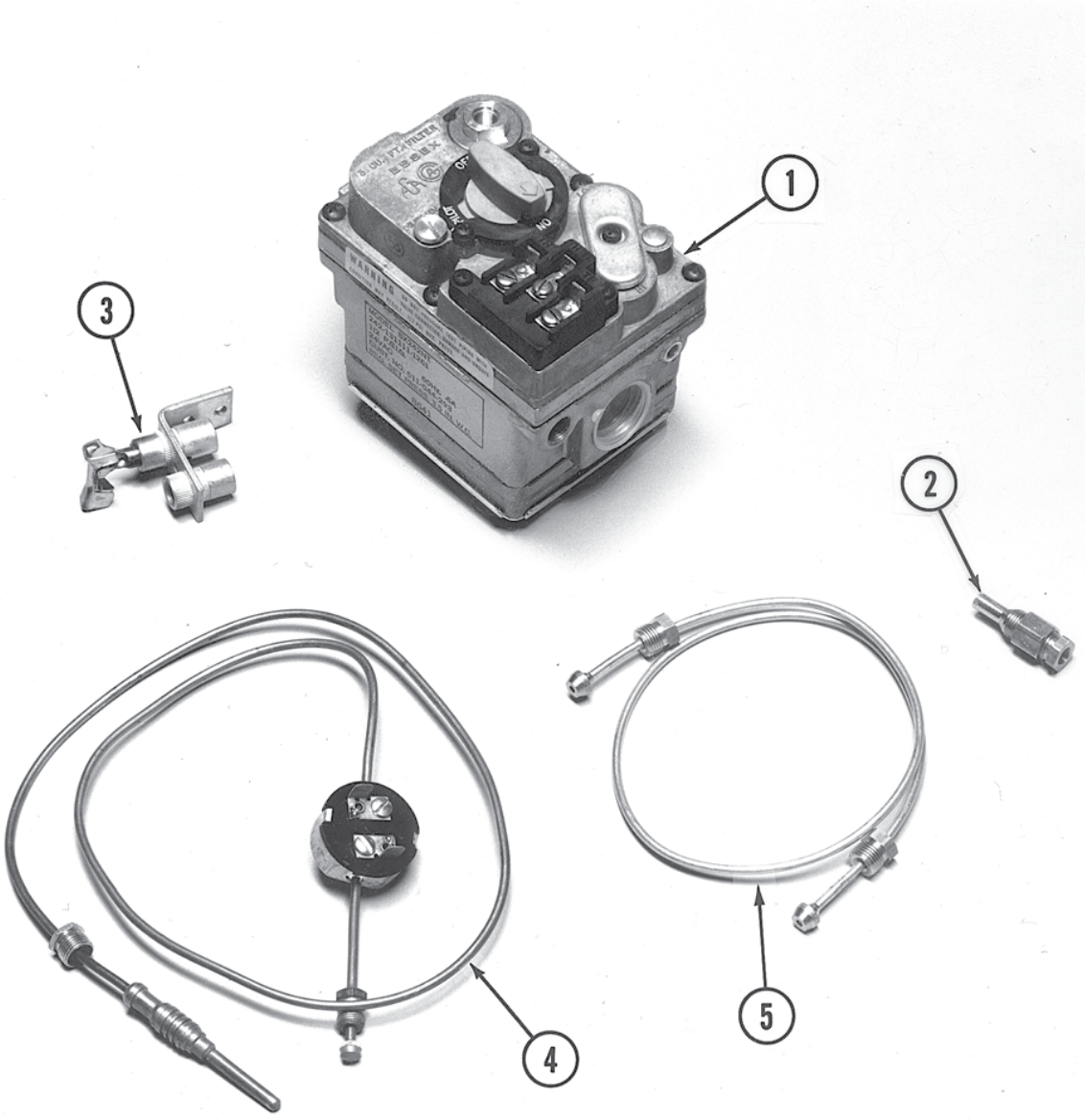


Fig.	Part No.	Description	Mfr.	Mfr.'s Part
<b>Components For P/PID Models</b>				
1	591-391-795	Vent Damper Wiring Harness	Weil-McLain	
2	510-512-337	Vent Damper Motor Operator	Effikal	RVGP
2	510-312-255		Johnson	M35BE-1C
3	381-800-477	Vent Damper Assemble, 7" (PFG-5)	Effikal	RVGP-KS-7BKF
			Johnson	Q35GH-2
	381-800-478	Vent Damper Assemble, 8" (PFG-6)	Effikal	RVGP-KS-8BKF
			Johnson	Q35GK-2
	381-800-445	Vent Damper Assemble, 9" (PFG-7, 8)	Effikal	RVGP-KS-9BKF
			Johnson	Q35GM-2
4	510-312-250	High Limit Control, SPST, Automatic Recycle, 140-240°F Range, 30° Fixed Differential with 3/4" N.P.T. Well	White-Rodgers	11B81-3
			Honeywell	L4080D1036
<b>24 Volt Standing Pilot Components</b>				
5	510-312-150	Combined Operating and Fixed High Limit Temperature Control, SPST, Automatic Recycle, Operating High Limit 140-240°F Range, Fixed High Limit 240°F with 1/2" N.P.T. Well	Carlin	90224
<b>Components Common To All PFG Boilers</b>				
7	510-312-166	Combination Transformer-Relay Receptacle, 120/24 V, 40Va	White Rodgers	S84A-85
			White Rodgers	599-9001
			Honeywell	R8285K1004
			Products Unlimited	57-01E07CSF23
8	510-350-223	Plug-In DPST Relay with 24 Volt Holding Coil	Honeywell	R8222U1006
			White-Rodgers	91-322000-11000
			Products	9100-241Q223
9	511-546-924	ASME Relief Valve, Set to Relieve at 30 PSIG, 3/4" N.P.T. Female Inlet	Watts	335
			Conbraco	10-408-05
10	510-218-097	Combination Gauge, 2-1/2" Dial, 0-60 PSIG, 60-260°F Long Shank, 1/4" N.P.T. Back Mount	ENF	4104
			Ametek	PT 1088
11	511-210-423	Drain Valve, 1-1/2" Shank, 3/4" N.P.T.	Conbraco	31-606-01
12	510-300-013	Spill Switch with Reset, 210°F PFG-5 only	Elmwood Sensors	2455RM-8174-0201
13	512-050-230	Rollout Thermal Fuse Element, 228° C PFG-5 only	Elmwood Sensors	RD226-001
			Microtemp	G4AM0600229C

PFG Standing Pilot Series 3-7



GAS

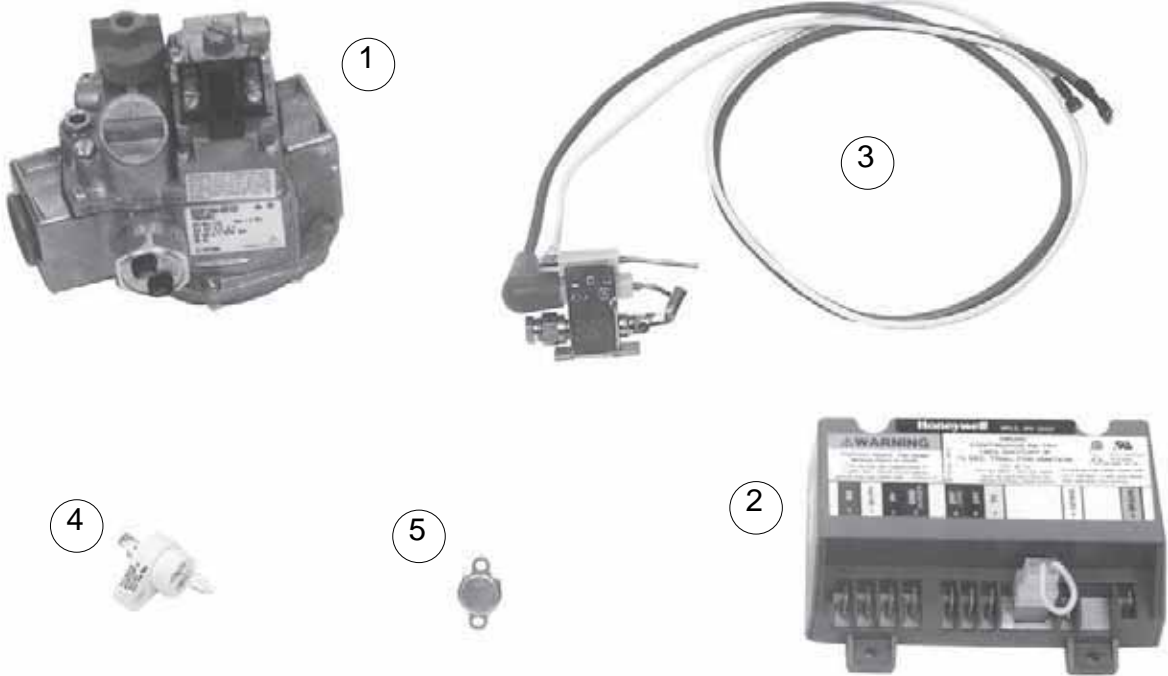


## PFG Standing Pilot Series 3-7

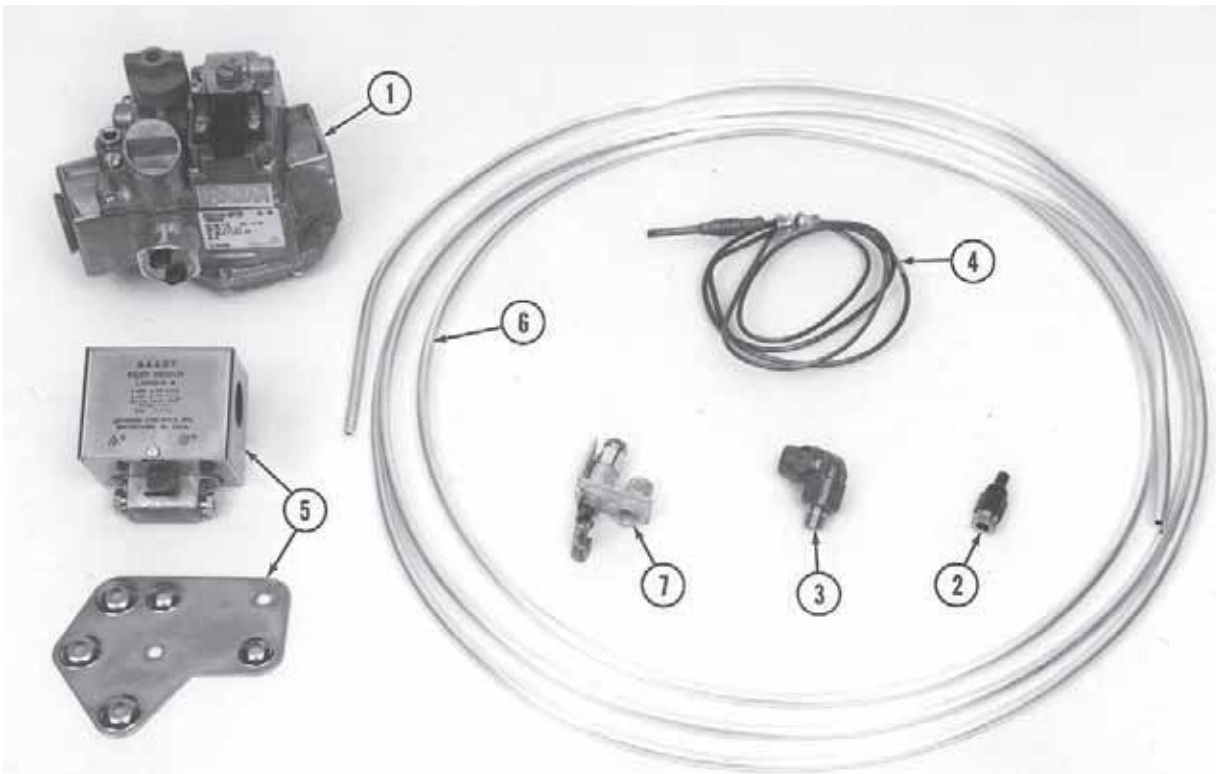
Fig. No.	Part No.	Description	Mfr.	Mfr.'s Part No.
<b>Components For Natural Gas</b>				
1N	NLA	Combination Gas Valve, 3/4" X 3/4" N.P.T., 24 volt, Natural Gas (PFG 5, Series 3 and 4 only)	Essex	SX242-131111-3262
1N		Combination Gas Control Valve, 511-044-219 is OBSOLETE and replaced by the Thermocouple to Thermopile conversion kit below	Robertshaw	5A7 501 723
2N	560-528-950	Natural Gas Pilot Orifice, A26, .026 Diameter	Honeywell	388146-AG
NS	510-811-461	Thermocouple to Thermopile conversion kit, natural gas (PFG 6 & 7 only, Series 3 - 7) includes natural gas valve, lead wire, thermopile and instructions	Weil-McLain	
1N	510-811-641	Thermopile gas valve, 3/4" X 1" N.P.T., 24 volt, natural gas (PFG 6 & 7 only, Series 3 - 7)	Robertshaw	5D7 501 723
<b>Components For Propane Gas</b>				
1P	NLA	Combination Gas Valve, 3/4" X 3/4" N.P.T., 24 volt, propane gas (PFG 5 Series 3 and 4 only)		
1P		Combination Gas Control Valve, 511-044-277 is OBSOLETE and replaced by the Thermocouple to Thermopile conversion kit below	Robertshaw	5A7 502 789
2P	560-528-957	Propane Gas Pilot Orifice, 0.010 Diameter	Honeywell	388146KR
NS	510-811-462	Thermocouple to Thermopile conversion kit, propane gas (PFG 6 & 7 only, Series 3 - 7) includes propane gas valve, lead wire, thermopile, and instructions.	Weil-McLain	
1P	510-811-643	Thermopile gas valve, 3/4" X 1" N.P.T., 24 volt, propane gas (PFG 6 & 7 only, Series 3 - 7)	Robertshaw	5D7 502 789
<b>Common Components</b>				
3	511-330-186	Pilot Burner, Constant Burning Thermally Supervised	Honeywell	Q327A1642
4		Thermocouple with Spade Terminal block, is obsolete and replaced by the Thermocouple to Thermopile conversion kit	Honeywell	Q309B1177
5	560-742-860	Pilot Tubing, 1/8" O.D. alum. X 22-3/4" Long with Compression Fittings	Weil-McLain	
NS	511-724-259	Thermopile, 36" (PFG 6 & 7 only, Series 3 - 7)	Robertshaw	CP-2
NS	590-850-561	Lead wire, 5" (PFG 6 & 7 only (Series 3 - 7)	Weil-McLain	
NS	591-391-879	Wiring Harness PFG 6 & 7	Weil-McLain	

# PFG Intermittent Pilot Series 4-7

## Natural Gas



## Propane Gas



## PFG Intermittent Pilot Series 4-7

Fig. No	Part No.	Description	Mfr.	Mfr.'s Part No.
<b>Components For Natural Gas</b>				
1N	511-044-382	*Combination Gas Control Valve, 3/4" X 3/4" N.P.T., 24 Volt, PF-5	Honeywell	VR8304P4348
1N	511-044-286	*Combination Gas Control Valve, 3/4" X 1" N.P.T., 24 Volt, PF-6/7	Robertshaw	5R1 501 723
1N	511-044-287	*Combination Gas Control Valve, 1" X 1" N.P.T., 24 Volt, PF-8	Robertshaw	5N6 501 723
2N	511-330-097	Ignition-Sensing Control Module without Damper Molex, Series 6 & 7	United Technologies	1003-511
2N	511-330-095	Ignition-Sensing Control Module with Damper Molex, Series 4 & 5	United Technologies	1003-510
3N	511-330-221	NG PIN Pilot Burner Assembly with pilot burner, orifice, sensing lead and ignition cable	Precision Speed	PSE-NA16
4	512-050-230	Thermal Fuse Element 229°	Elmwood Sensors	RD226-001
5	510-300-013	Spill Switch with Reset 210° (PF-5)	Elmwood Sensors	2455RM-8174-0201
<b>Components For Propane Gas</b>				
1P	511-044-278	*Combination Gas Control Valve, 3/4" X 1" N.P.T., 24 Volt, PF-6,7	Robertshaw	5R1 502 789
1P	511-044-279	*Combination Gas Control Valve, 1" X 1" N.P.T., 24 Volt, PF-8	Robertshaw	5N6 502 789
2P	511-330-222	Pilot Assembly with Ignition Lead and Orifice	Precision Speed	PSE-LP16
3	511-246-340	Pilot Shut-off Valve, 1/8" N.P.T. X 1/4" CC	Conbraco	
4	511-724-245	Thermocouple, 48"	Honeywell	Q309A2010
5	511-330-229	Pilot Switch Box	Johnson Controls	L62GB-3C
6	560-742-905	Aluminum Tubing, 1/4" O.D. X 60"	Weil-McLain	
7	511-330-186	Standing Pilot Burner N.P.T. orifice	Honeywell	Q327A1642
	560-528-957	LP orifice for Pilot Burner (above)		
	591-391-878	Wiring Harness PF-5 PI	Weil-McLain	
	591-391-880	Wiring Harness PF-6,7,8 PI	Weil-McLain	
NS	510-811-405	Conversion Kit: Natural to LP PF 6 & 7 - SP Models only	Weil-McLain	
NS	510-811-406	Conversion Kit: Natural to LP PF 6 & 7 - PI Models only	Weil-McLain	
NS	510-811-407	Conversion Kit: Natural to LP PF 8 - PI Models only	Weil-McLain	

## Ultra Commercial Jacket Parts

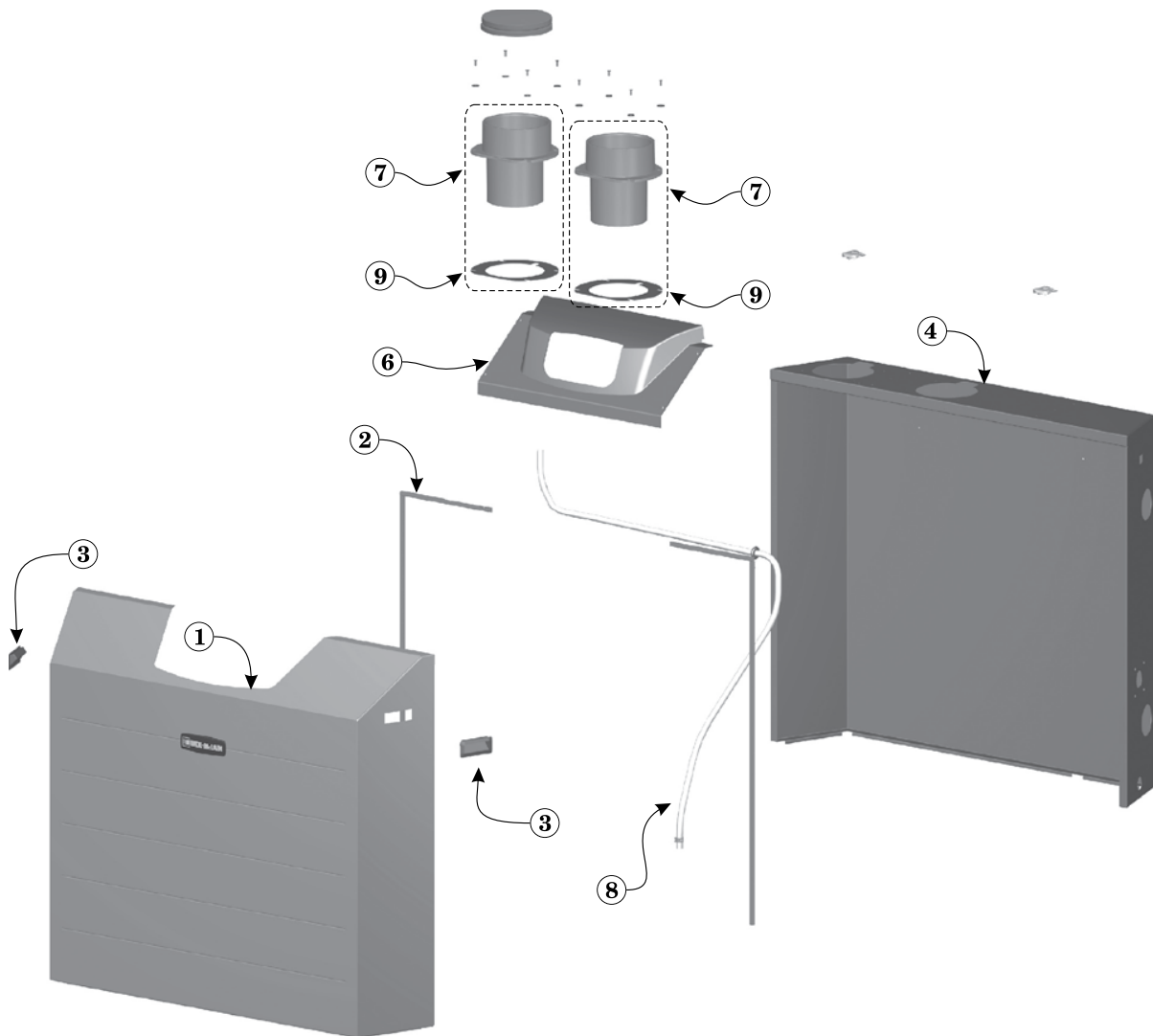


Fig. No	Part No.	Description
1	383-600-052	Jacket front door
2	383-600-022	Door seal
3	383-500-611	Handle (2 required)
4	383-600-050	Black jacket
NS	383-600-053	Jacket seal kit (Includes: base seal, door seal, grommets and gaskets)
6	383-600-054	Plastic top cover (Includes: cover, gasket and hardware)
7	383-600-051	Inlet/outlet adapter kit (Includes: adapter for flue or air, gasket and hardware)
8	383-600-023	Flue pipe drain hose kit (includes hose from flue adapter to heat exchanger condensate outlet and hose clamp)
9	590-300-016	Flue pipe adapter gasket

## Ultra Commercial Heat Exchanger

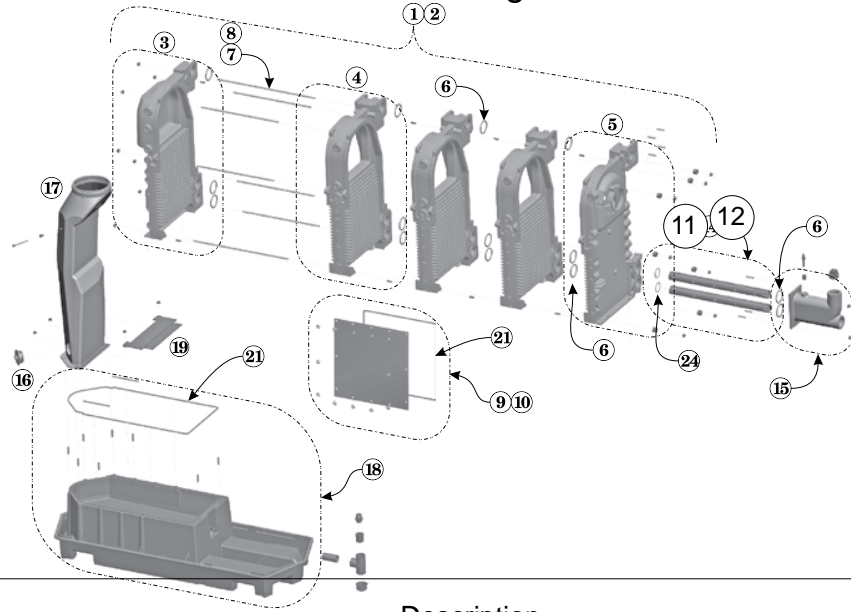


Fig. No	Part No.	Description	Boiler Models
1	383-600-029	5 section heat exchanger assembly kit (Includes: sections, o-rings, sealing cord & hardware)	550
2	383-600-028	6 section heat exchanger assembly kit (Includes: sections, o-rings, sealing cord & hardware)	750
3	383-600-036	Left end section replacement kit (Includes: section, o-rings, sealing cord & hardware)	550/750
4	383-600-037	Intermediate section replacement kit (Includes: section, o-rings, sealing cord & hardware)	550/750
5	383-600-038	Right end section replacement kit (Includes: section, o-rings, sealing cord and hardware)	550/750
6	590-318-039	Section/manifold o-ring, 60-mm (single o-ring only)	550/750
7	560-134-510	5 section draw rod kit	550
8	560-134-511	6 section draw rod kit	750
9	383-600-040	5 section heat exchanger cover plate kit (Includes: plate, nuts, sealing cord and silicone RTV sealant)	550
10	383-600-041	6 section heat exchanger cover plate kit (Includes: plate, nuts, sealing cord and silicone RTV sealant)	750
11	383-600-033	5 section supply distribution tube kit (distribution tube, o-ring and nuts)	550
12	383-600-032	6 section supply distribution tube kit (distribution tube, o-ring and nuts)	750
13	383-600-031	5 section return distribution tube kit (distribution tube, o-rings and nuts)	550
14	383-600-030	6 section return distribution tube kit (distribution tube, o-rings and nuts)	750
15	383-600-034	Return manifold casting kit (Includes: manifold, o-ring and nuts)	550/750
16	561-444-101	Inspection plug	550/750
17	383-600-025	Aluminum flue pipe	550/750
18	383-600-026	Plastic base assembly kit (Includes: base, sealing cord, silicone RTV sealant & hardware)	550/750
19	383-600-027	Base cover plate (5-section only)	550/750
NS	383-600-021	Base seal kit (base sealing gasket cord)	550/750
21	383-600-020	Red silicone cord kit (cover plate and base)	550/750
NS	513-000-001	Tube of silicone RTV, high temperature, red	550/750
NS	513-000-000	Tube of silicone RTV, high adhesive, black	550/750
24	590-318-040	Return distribution tube o-ring, 45 mm	550/750
NS	383-600-039	Heat exchanger o-ring replacement kit (Not shown) (Includes: (18) 60-mm o-rings (Item 6); (2) 45-mm o-rings (Item 24); sealing cord; and silicone RTV sealant)	550/750

## Ultra Commercial Piping

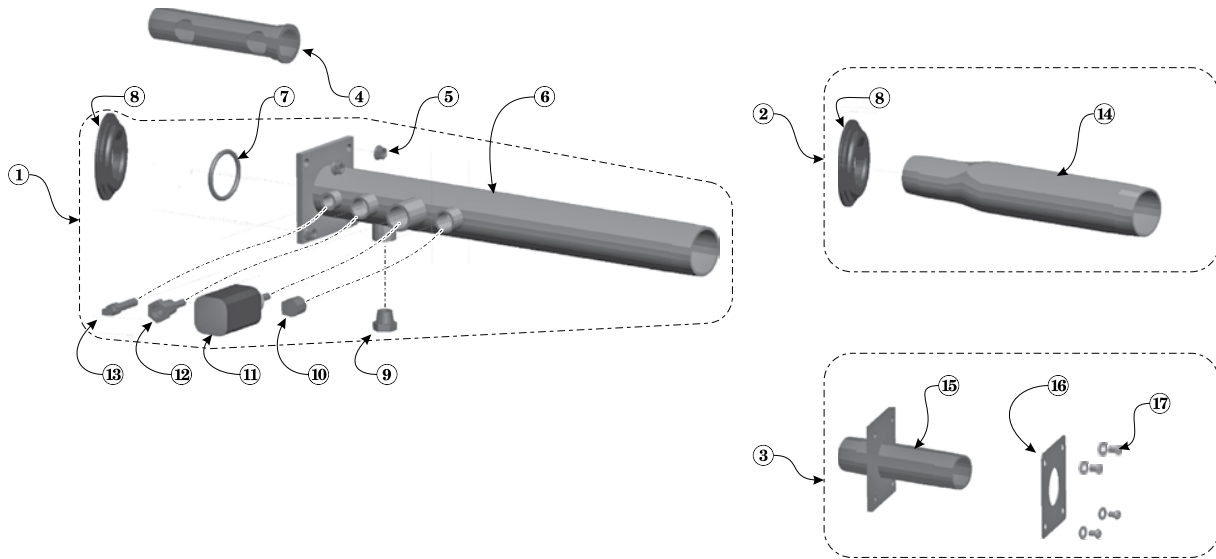
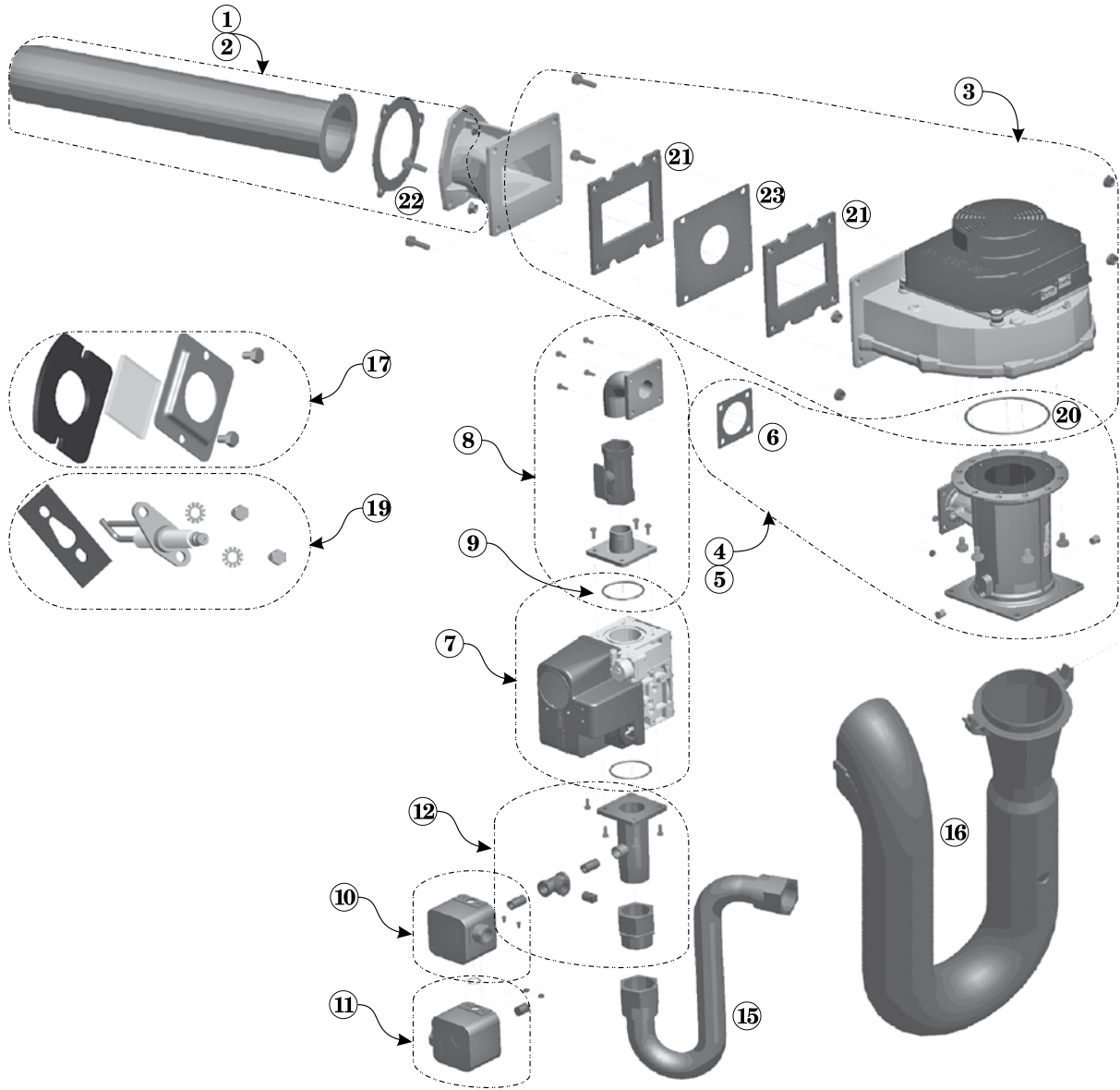


Fig. No	Part No.	Description	Boiler Models
1	383-600-055	Supply manifold kit (Includes items 5 through 8 and 10 through 14)	550/750
2	383-600-035	Return pipe kit (includes items 9 and 14)	550/750
3	383-600-056	Inlet gas pipe kit (includes items 16, 17, and 18)	550/750
4		Supply distribution pipe (See heat exchanger diagram)	
5	In Item 1	Serrated-flange nut, M8-1.25 (four required)	550/750
6	In Item 1	Supply distribution manifold, 2" NPT	550/750
7	590-318-039	Section/manifold o-ring, 60 mm (included in Item 1; also see Item 6, Figure 90, page 101)	550/750
8	562-248-747	Supply/return pipe grommet, 2" NPT x 3½" diameter (included in Item 1)	550/750
9	383-500-285	P/T gauge pressure sensor line check valve	550/750
10	In Item 1	Plug, ½" NPT	550/750
11	383-600-069	Low water cut-off	550/750
12	383-500-270	P/T gauge temperature sensor well	550/750
13		Supply temperature sensor (See controls diagram)	
14	In Item 2	Return pipe, 2" NPT	550/750
15	In Item 3	Inlet gas pipe with flange	550/750
16	590-300-017	Inlet gas pipe gasket (included in Item 3)	550/750
17	In Item 3	Screws, 3/8-16 x ½", button head; washers, 3/8" SAE (4 of each required)	550/750
	511-546-925	Relief valve 3/4" x 1" 30 PSI	550/750

## Ultra Commercial Miscellaneous Parts

Part No.	Description	Mfr.	Mfr.'s Part No.	Size
383-600-076	Condensate neutralizer kit (up to 1000 MBH)			ALL
591-706-200	Heat exchanger cleaning tool			ALL
383-600-063	Relief valve 30 PSI, 3/4" x 1", 925 MBH capacity	Watts	740	ALL
383-600-064	Relief valve 50 PSI, 3/4" x 1", 1352 MBH capacity	Watts	740	ALL
383-600-065	Relief valve 80 PSI, 3/4" x 3/4", 1400 MBH capacity	Watts	174A	ALL
560-907-633	6" Stainless bird screen (2 required)			Per boiler manual
560-907-634	8" Stainless bird screen (2 required)			Per boiler manual
592-900-002	Corrosion inhibitor, 1 tube	Sentinel	X100	ALL
592-900-005	Inhibitor test kit, 2 tests	Sentinel		ALL
592-900-003	Boiler system cleaner/sludge remover	Sentinel	X400	ALL
592-900-004	Aluminum-safe anti-freeze, 5 liter	Sentinel	X500	ALL
592-900-06	Aluminum-safe anti-freeze, 5 gallon	Sentinel	X500	ALL
383-600-079	Maintenance kit (Includes: igniter, gasket, hardware, inhibitor test kit, ignition suppressor, blower gaskets, silicone cord)			ALL
383-600-080	Intake filter for direct exhaust venting			ALL
383-600-074	550 LP propane conversion kit			550
383-600-075	750 LP propane conversion kit			750

# Ultra Commercial Burner, blower, venturi and gas train



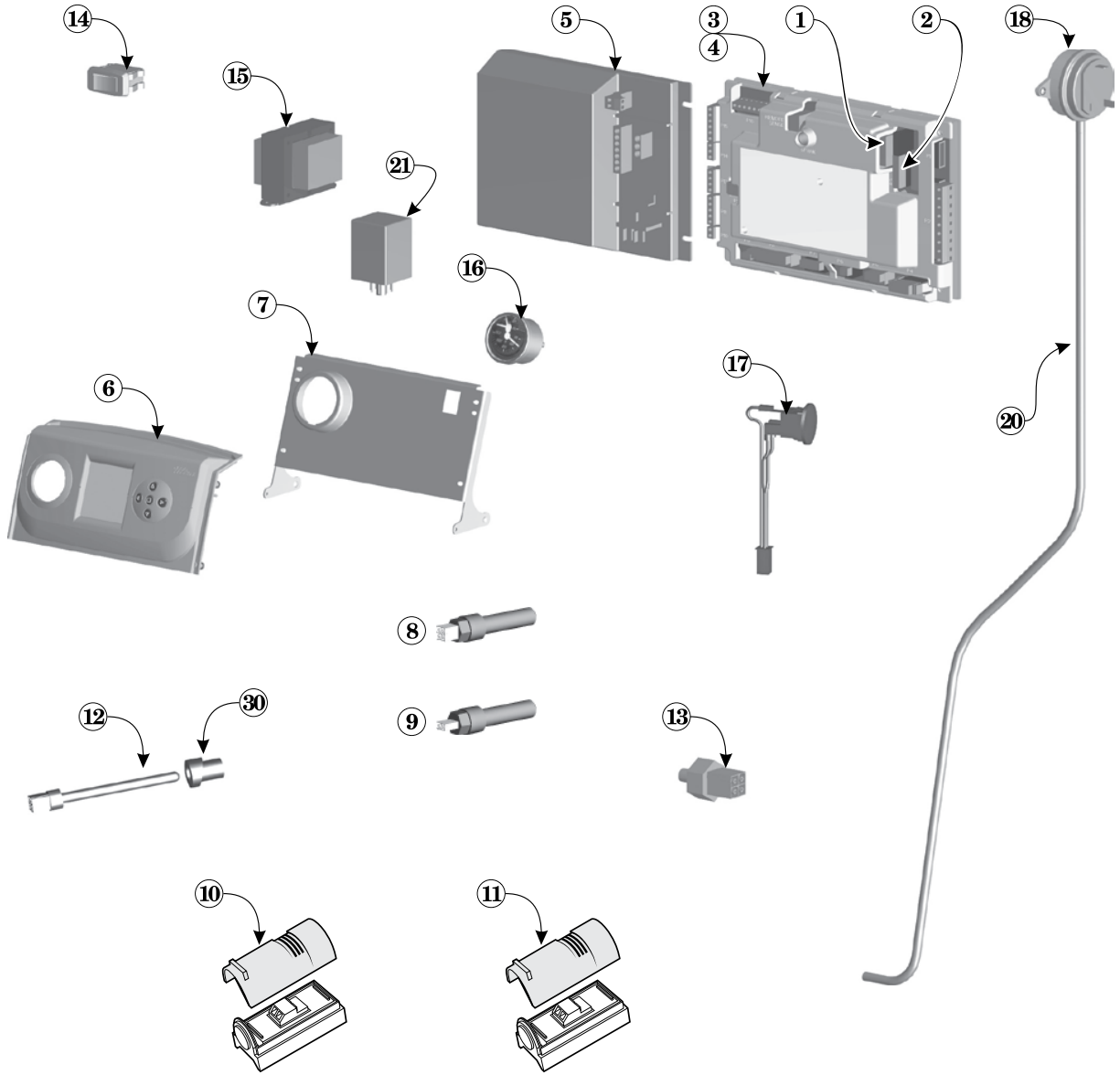
GAS



## Ultra Commercial Burner, blower, venturi and gas train

Fig. No	Part No.	Description
1	383-600-044	5 section burner replacement kit (includes burner, gasket and nuts)
2	383-600-043	6 section burner replacement kit (includes burner, gasket and nuts)
3	383-600-045	Blower assembly kit (includes blower, gasket, o-ring and hardware)
4	383-600-067	5 section venturi replacement kit (includes venturi, o-ring and gasket)
5	383-600-068	6 section venturi replacement kit (includes venturi, o-ring and gasket)
6	590-300-022	Venturi to gas pipe gasket
7	383-600-066	Gas valve replacement kit (includes gas valve only)
8	383-600-046	Gas valve to venturi piping kit (includes piping, gasket, o-ring and hardware)
9	590-318-042	O-Ring, gas valve to adapter pipe
10	383-600-048	High gas pressure switch replacement kit (includes switch and nipple)
11	383-600-049	Low gas pressure switch replacement kit (includes switch and nipple)
12	383-600-047	Gas pressure switch piping
NS	383-600-059	Gas pressure switch harness (not shown)
NS	591-391-960	Gas valve harness (not shown)
15	560-900-021	Flexible gas line
16	560-900-020	Air silencer
17	383-500-020	Inspection glass kit (includes retainer, glass, gasket and screws)
NS	383-500-619	Ignition cable kit (not shown)
19	383-600-070	Ignition electrode kit (includes ignitor, gasket and hardware)
20	590-381-041	Venturi-to-blower o-ring (included in item 4 and item 5)
21	590-300-018	Blower outlet gasket (included in item 3)
22	590-300-011	Burner gasket (included in item 1 and item 2)
23	383-600-078	Blower orifice plate for Ultra-550 (used for both natural gas and propane)
		Blower orifice plate for Ultra-750 (used only on Ultra-750 propane) (conversion kit available)

# Ultra Commercial Controls

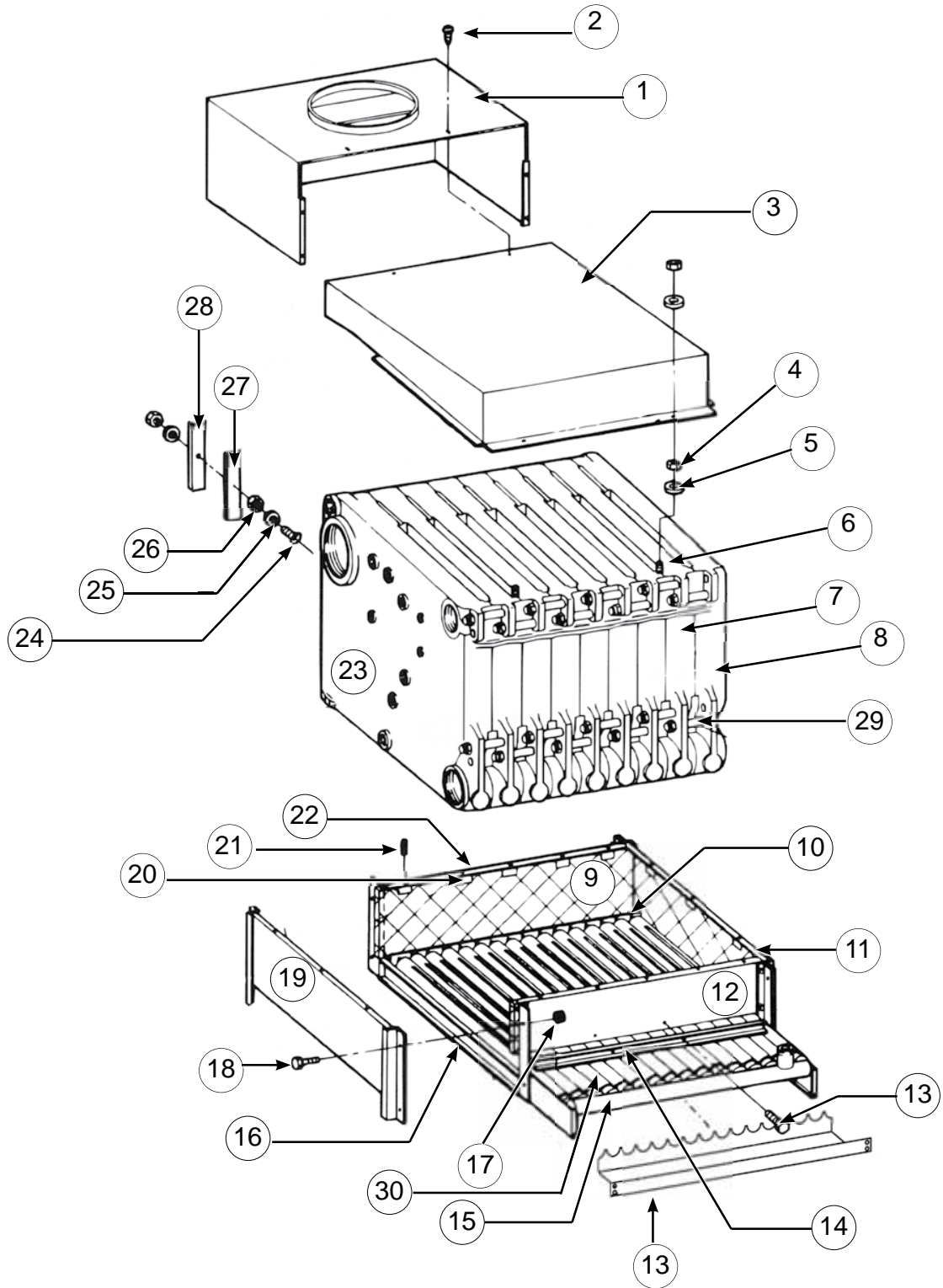


GAS

## Ultra Commercial Controls

Fig. No	Part No.	Description
1	383-500-603	3-amp, fast-blow ATO (5 fuses)
2	383-500-604	12-amp, slow-blow AG (5 fuses)
3	383-600-062	CSD1 U-control module
4	383-500-658	NON-CSD1 U-control module
5	383-600-060	Expansion module
6	383-500-629	Display board assembly
7	383-600-042	Display bracket kit
8	383-600-072	Supply temperature sensor replacement kit, dual sensor (sensor only)
9	383-600-071	Return temperature sensor replacement kit, single sensor (sensor and bushing)
10	510-312-218	Outdoor temperature sensor
11	383-500-601	System temperature sensors
12	383-500-600	Flue Temperature sensor replacement kit (sensor and grommet)
13	383-500-602	Heat exchanger temperature sensor
14	383-500-205	On/off power switch
15	383-500-628	Transformer, 120v/24v
16	570-218-054	Pressure/temperature gauge assembly
17	591-391-959	120 volt, 3-wire receptacle, pre-wired
18	383-600-073	Air pressure switch kit (includes switch, tube and mounting screws)
NS	562-302-525	Hose barb for air pressure switch sensing tube connection (not shown)
20		Air pressure switch sensing tube (included in item 18)
21	570-350-230	Blower power relay
NS	383-500-642	Ultra U-control terminal block kit (not shown)
NS	383-500-633	Display to U-control wire harness, RS485 (not shown)
NS	591-391-961	Expansion module to display harness (not shown)
NS	383-600-057	Upper line voltage wire harness (EP2, EP4, power input and blower relay) (not shown)
NS	591-391-958	Low line voltage wire harness (not shown)
NS	383-600-058	Upper low voltage wire harness (not shown)
NS	591-391-956	Lower low voltage wire harness (P4 through P9 and other) (not shown)
NS	383-500-641	Jumper for low voltage terminal blocks ( 5 jumpers) (not shown)
30	590-318-011	Flue temperature sensor gasket

# LGB Series 1 & 2 Section and Base Assembly



GAS

## LGB Series 1 & 2 Section and Base Assembly

Fig. No.	Part No.	Size	Description
	383-300-405		Section replacement kit (Includes: seals, rope and sealant for 1 joint)
1	443-300-098	4	Horizontal Draft Hood, See Table 1 (next page)
	443-300-099	5	
	443-300-100	A	
	443-300-101	B	
	443-300-102	C	
	443-300-103	D	
	443-300-104	E	
	443-300-105	F	
	443-300-106	G	
2	Available Locally		Screw, Phillips # 10 x 1/2"
3	450-019-858	4	Horizontal Collector Hood, See Table 1 (next page)
	450-019-859	5	
	450-019-851	A	
	450-019-852	B	
	450-019-853	C	
	450-019-854	D	
	450-019-855	E	
	450-019-856	F	
	450-019-857	G	
	591-602-913		Retort Cement (Collector Hood and Base Seal)
4	Available Locally		Hex Nut, Regular 1/4" - 20
5	Available Locally		Easher, Plain 1/4"
6	Available Locally		Carriage Bolt, 1/4" - 20 x 1 1/2"
7	313-300-110		Regular Intermediate Section - 3315 - 80 P.S.I.
8	313-300-111		Right Hand End Section - 3318 - 80 P.S.I.
	592-800-005		9" Dia. Top Elastomer Seal (1 per joint)
	592-800-007		6" Dia. Bottom Elastomer Seal (1 per joint)
	591-706-214		Flue Brush, 123 DMG
9		4	Base Front and Back Insularion, See Tables 1 & 2 (next page)
		5	
		A	
		B	
		C	
		J	
		K	

## LGB Series 1 & 2 Section and Base Assembly

10	450-003-600	4	Burner Rest, See Table 1 (next page)
	450-003-601	5	
	450-003-560	A	
	450-003-561	B	
	450-003-562	C	
	450-003-563	D	
	450-003-564	E	
	450-003-565	F	
	450-003-566	G	
	450-003-602	4	Burner Stop, See Table 1 (next page)
	450-003-603	5	
	450-003-568	A	
	450-003-569	B	
	450-003-570	C	
	450-003-571	D	
	450-003-572	E	
	450-003-573	F	
	450-003-574	G	Burner Stop, Size G, See Table 1 (next page)
	450-003-604	4	Combustion Air Baffle for Base, See Table 1 (next page)
	450-003-605	5	Combustion Air Baffle for Base, See Table 1
	450-003-575	A	
	450-003-576	B	
	450-003-577	C	
	450-003-578	D	
	450-003-579	E	
	450-003-580	F	
	450-003-581	G	
11, 19	383-300-165		Base End Panel
	591-221-126		Insulation End Panels, Left and Right
	450-003-589		Right Hand Base Leg
	450-003-590		Left Hand Base Leg
12	450-003-543	4	Base Front Panel, See Table 1
	450-003-544	5	
	450-003-545	A	
	450-003-546	B	
	450-003-547	C	
	450-003-548	D	
	450-003-549	E	
	450-003-550	F	
	450-003-551	G	
13	Available Locally		Screw, Hex Washer Heat Slotted 10-32 x 3/8"

GAS

## LGB Series 1 & 2 Section and Base Assembly

14	450-003-606	4	Base Access Shield, See Table 1
	450-003-607	5	
	450-003-582	A	
	450-003-583	B	
	450-003-584	C	
	450-003-585	D	
	450-003-586	E	
	450-003-587	F	
	450-003-588	G	
15	591-125-908	4	Manifold, See Table 1
	591-125-909	5	
	591-125-910	A	
	591-125-911	B	
	591-125-912	C	
	591-125-913	D	
	591-125-914	E	
	591-125-915	F	
	591-125-916	G	
16	450-003-567		Base Cross Tie
17	Available Locally		Nut, Flange whiz-Lock 1/4" -20
18	Available Locally		Screw, Hex Heat Cap 1/4" - 20 x 3/4"
20	562-650-104		Support Clip for Base Insulation
21	562-930-236		Roll Pin 1/8 x 2"
22	450-003-598	4	Base Back Panel, See Table 1
	450-003-599	5	
	450-003-553	A	
	450-003-554	B	
	450-003-555	C	
	450-003-556	D	
	450-003-557	E	
	450-003-558	F	
	450-003-559	G	
23	313-300-109		Left Hand End Section - 3314 - 80 PSI
24	Available Locally		Carriage Bolt, 1/4" - 20 x 1 3/4"
25	Available Locally		Washer, Plain 1/4"
26	Available Locally		Hex Nut, Regular 1/4" - 20
27	591-221-115		Cleanout Plate Insulation 3 x 10 1/2 x 1/2 (1 per joint)
28	450-029-549		Cleanout Plate (1 per joint)

## LGB Series 1 & 2 Section and Base Assembly

29	560-134-480		5/8-11 x 8" Draw Rod without Nut (3 required per joint)
	561-928-224		5/8-11" Nut (2 per draw rod)
	562-248-710		5/8" Washer (1 per draw rod)
	590-735-140		1/2" Dia. Sealing Rope (5' per joint) - Type HD-500
	591-641-850		Construction Adhesive for Sealing Rope (11 oz. Tube)
30	512-200-050		Burner, Tubular Steel, Regular
	512-200-055		Burner, Tubular Steel, for Pilot
	560-528-976		Main Burner Orifice, Propane Gas, 2.4 mm
	560-528-979		Main Burner Orifice, Natural Gas, 3.95 mm
	423-300-420		Fame Sensor Bracket
	460-005-624		Pilot Bracket
31	450-003-350	4	Burner shield, See Table 1
	450-003-352	5	
	450-003-354	A	
	450-003-356	B	
	450-003-358	C	
	450-003-360	D	
	450-003-362	E	
	450-003-364	F	
	450-003-366	G	

GAS



## LGB Series 1 & 2 Section and Base Assembly

Table 1  
Size Designator According to Boiler Size

Boiler Size	Size Designator		Boiler Size	Size Designator	
	Left Base	Right Base		Left Base	Right Base
LGB-4	4	-	LGB-14	B	C
LGB-5	5	-	LGB-15	C	C
LGB-6	A	-	LGB-16	C	D
LGB-7	B	-	LGB-17	D	D
LGB-8	C	-	LGB-18	D	E
LGB-9	D	-	LGB-19	E	E
LGB-10	E	-	LGB-20	E	F
LGB-11	F	-	LGB-21	F	F
LGB-12	G	-	LGB-22	F	G
LGB-13	B	B	LGB-23	G	G

Table 2  
Base Front and Back Insulation According to Size Designator

Size Designator	Base Front and Back Insulation	
	Designator	Designator
4	4	-
5	5	-
A	A	-
B	B	-
C	C	-
D	A	E
E	B	E
F	A	D
G	B	D

Note: Refer to Table 1 to Key Size Designator According to Boiler Size

LGB base insulation part numbers have changed. The front and back insulation set, Item 9, is replaced with the following part numbers.

Note: Both a front and a rear insulation piece must be ordered now, instead of a set.

Also on the bottom of page 261 in the lower right of Table 2, the K's are replaced with an E and the J's are replaced with a D.

On the larger bases, 2 pieces make up the front insulation and 2 pieces make up the rear insulation.

- D base = A front and rear plus an E front and rear
- E base = B front and rear plus an E front and rear
- F base = A front and rear plus a D front and rear
- G base = B front and rear plus a D front and rear

Fig.No.	Part No.	Size	Description
9	591-221-330	4	Base insulation front
	591-221-331	4	Base insulation rear
	591-221-332	5	Base insulation front
	591-221-333	5	Base insulation rear
	591-221-334	A	Base insulation front
	591-221-335	A	Base insulation rear
	591-221-336	B	Base insulation front
	591-221-337	B	Base insulation rear
	591-221-338	C	Base insulation front
	591-221-339	C	Base insulation rear
	591-221-340	D	Base insulation front
	591-221-341	D	Base insulation rear
	591-221-342	E	Base insulation front
	591-221-343	E	Base insulation rear

## LGB Series 2 Main Gas Control Train Components Natural Gas



**Table 1 – LGB Main Gas Control Trains Arrangement**

LGB Series 1 Boiler Size	Main Gas Control Trains		LGB Series 1 Boiler Size	Main Gas Control Trains	
	7.0" W.C. Natural Gas Supply Pres- sure	5.0" W.C. Natural Gas Supply Pressure		7.0" W.C. Natural Gas Supply Pressure	5.0" W.C. Natural Gas Supply Pressure
LGB-6	AB	AB	LGB-15	J	J
LGB-7	AB	AB	LGB-16	J	J
LGB-8	CD	CD	LGB-17	J	J
LGB-9	CD	CD	LGB-18	K	K
LGB-10	EF	E	LGB-19	L	M
LGB-11	EF	F	LGB-20	L	N
LGB-12	EF	F	LGB-21	*L	*O
LGB-13	H	H	LGB-22	*L	*O
LGB-14	I	I	LGB-23	*L	*O

*\*With Special Control Carton ( Includes Gas Pressure Switch, Switch Bracket, Connecting Tubing)*

**Table 2 – LGB Main Gas Control Trains Individual Components**

Fig. No.		MAIN GAS CONTROL TRAINS																							
		7" W.C. Natural Gas Supply Pressure									5" W.C. NATURAL Gas Supply Pressure														
		A	B	C	D	E	F	H	I	J	K	L	A	B	C	D	E	F	H	I	J	K	M	N	O
1	Manual Main Shut-Off Gas valve, 1" N.P.T.	X	X				X	X	X	X															
	Manual Main Shut-Off Gas valve, 1 1/4" N.P.T.					X				X	X	X	X				X	X	X	X					
	Manual Main Shut-Off Gas valve, 1 1/2" N.P.T.														X							X	X	X	
	Manual Main Shut-Off Gas valve, 2" N.P.T.															X								X	X
2	Safety Gas Valve 1" N.P.T.	X	X				X	X	X	X															
	Safety Gas Valve 1 1/4" N.P.T.					X					X	X	X				X	X	X	X					
	Safety Gas Valve 1 1/2" N.P.T.														X	X						X	X	X	X
3	Combination Gas Control Valve, 1" N.P.T.	X	X				X	X	X	X															
	Combination Gas Control Valve, 1 1/4" N.P.T.					X					X	X	X				X	X	X	X					
	Combination Gas Control Valve, 1 1/2" N.P.T.														X	X						X	X	X	X

**LGB Series 2**  
**Main Gas Control Components - Natural Gas**  
**Univeral Control System**

Fig. No.	Part No.	Description	Mfr.	Mfr.'s Part No.
<b>Manual - Main Shut-Off Gas Valves</b>				
1	511-246-325	Manual - Main Shut-Off Gas Valve, 1" N.P.T., with Downstream Pressure Tapping, 1/8" N.P.T.	Conbraco Key	50-403-02 223-142111
	511-246-330	Manual - Main Shut-Off Gas Valve, 1 1/4" N.P.T., with Downstream Pressure Tapping, 1/8" N.P.T.	Conbraco Key	50-503-06 224-142111
	511-246-300	Manual - Main Shut-Off Gas Valve, 1 1/2" N.P.T., with Downstream Pressure Tapping, 1/8" N.P.T.	Conbraco	50-603-06
	511-246-305	Manual - Main Shut-Off Gas Valve, 2" N.P.T., with Downstream Pressure Tapping, 1/8" N.P.T.	Conbraco	50-703-02
<b>Safety Gas Valves</b>				
2	511-044-191	Gas Valve, without regulator, 1"	Honeywell	V8934A-1103
	511-044-192	Gas Valve, without regulator, 1 1/4"	Honeywell	V8943A-1111
	511-044-193	Gas Valve, without regulator, 1 1/2"	Honeywell	V8943A-1129
	383-300-425	1" LGB Conversion to V8943A Kit ( to convert from V88 or V8843P to V8943A)	Weil-McLain	
	383-300-426	1 1/4" LGB Conversion to V8943A Kit ( to convert from V88 or V8843P to V8943A)	Weil-McLain	
	383-300-427	1 1/2" LGB Conversion to V8943A Kit ( to convert from V88 or V8843P to V8943A)	Weil-McLain	
<b>Combination Gas Control Valves</b>				
3	511-044-214	Combination Gas Control Valve, 1" N.P.T., 24 Volt, with Low Fire Operator, High fire Operator, Main Pressure Regulator and 1/8" N.P.T. Downstream Pressure Tapping	Honeywell	V8944N1053
	511-044-215	Combination Gas Control Valve, 1 1/4" N.P.T., 24 Volt, with Low Fire Operator, High Fire Operator, Main Pressure Regulator and 1/8" N.P.T. Downstream Pressure Tapping	Honeywell	V8944N1061
	511-044-216	Combination Gas Control Valve, 1 1/2" N.P.T., 24 Volt, with Low Fire Operator, Hhigh Fire Operator, Main Pressure Regulator and 1/8" N.P.T. Downstream Pressure Tapping	Honeywell	V8944N1079
<b>LGB 4-5 Gas Valve</b>				
NS	511-044-287	Gas Valve, 1" N.P.T., 24 Volt, with 1/8" N.P.T. and 1/8" N.P.T. Downstream Pressure Tapping, LGB-4 & 5 only, Robertshaw 7000 DERHC-S7C	Grayson	5N6-501-723
<b>Gas Pressure Switch and Accessories</b>				
	511-624-555	High Gas Pressure Switch, SPDT, Manual Reset, Lockout on Pressure Rise, Diaphragm Type 3.0-21.0" W.C. Range, 1.0-3.0" W.C. Differential, 1/4" N.P.T. Female Vent Connector, with Switch Position Indicator (2 Required for LGB-21 through LGB-23)	Honeywell	C645B1013
	511-624-556	Gas Pressure Switch Mounting Bracket Assembly for C645 (2 Required for LGB-21 through LGB-23)	Honeywell	15865AC
	561-643-451	Union, 1/8" Male N.P.T. x 1/4" CC (4 Required for LGB-21 through LGB-23)	Weil-McLain	
	560-742-915	Aluminum Tubing, 1/4" O.D. x 100" Roll	Weil-McLain	

## LGB Series 2 Pilot and Fame Sensor

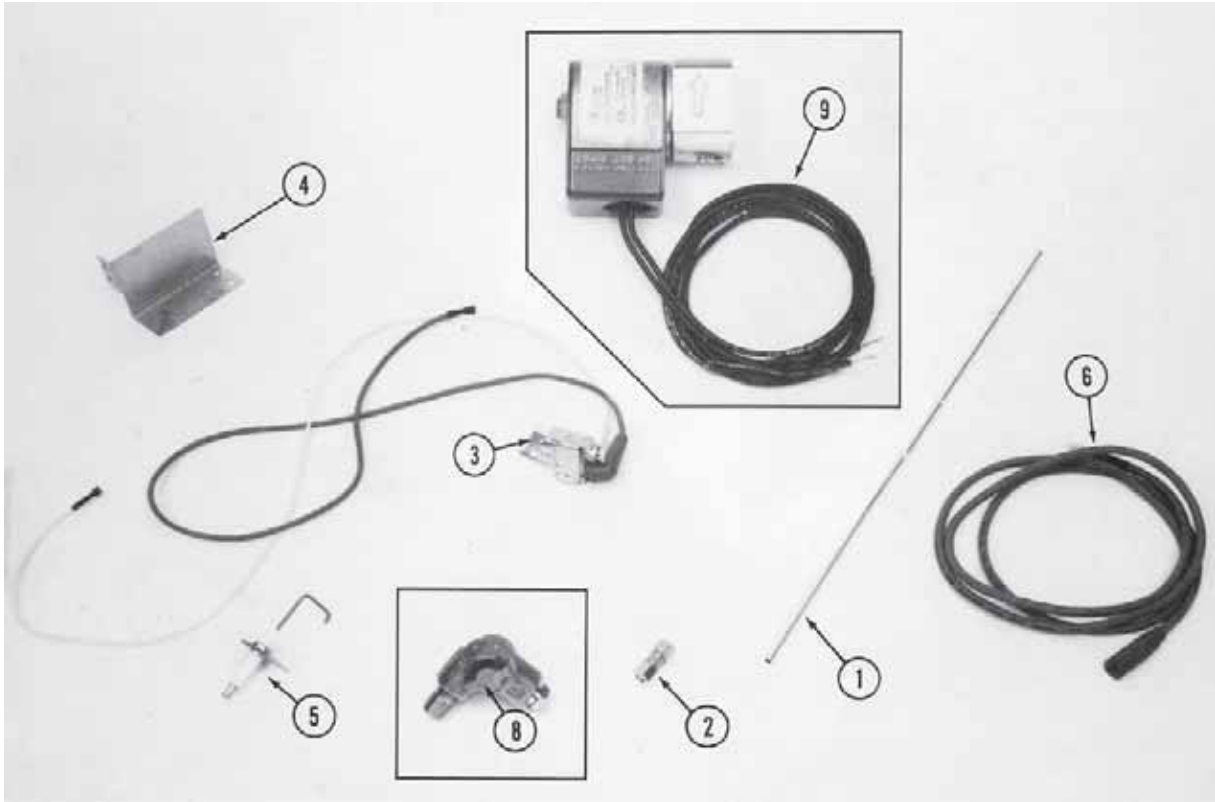


Fig. No.	Part No.	Description	Mfr.	Mfr.'s Part No.	4-5	6-12	13-23
<b>LGB Pilots and Fame Sensor</b>							
1	560-742-880	Pilot Line Aluminum Tubing, 2 pieces required, 1/4" Dia. X 20" Long	Weil-McLain			1	2
2	561-643-450	Pilot Line Union, 1/4" CC	Weil-McLain			1	2
3N	511-330-221	NG PIN Pilot Burner Assembly with pilot burner, orifice, sensing lead and ignition cable	PSE	PSE-NA16	1	1	2
4	460-005-624	Combination Pilot Burner Mounting Bracket	Weil-McLain			1	2
5	511-724-274	Main Fame Sensor	Honeywell	MH 392956		1	2
6	591-391-790	Sensing Cable for Main Fame Sensor, 72" Long	Ristance	180749		1	2
7	423-300-420	Main Fame Sensor Mounting Bracket	Weil-McLain			1	2
8	511-246-340	Manual Shut-Off Pilot Gas Valve, 1/8" N.P.T. X 1/4" CC	Conbraco	56-603-01		1	2
			Key	P2R			
9	511-044-039	Pilot Line Solenoid Gas Valve, 1/4" N.P.T., 24 Volt	Honeywell	V8046C1014		1	2
			Johnson Controls	H91ABG-5C			
NS	511-044-287	Gas Valve, 1" N.P.T., Robertshaw 7000DERHC-S7C	Grayson	5N6-501-723	1		

## LGB Series 2 Propane Gas Thermally Supervised Pilot to Standard Controls

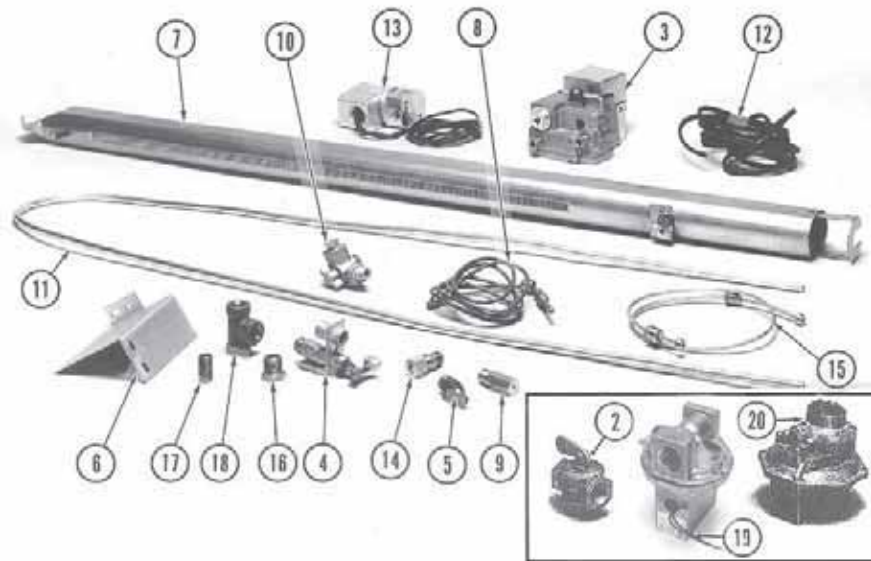


Fig. No.	Part No.	Description	Mfr.	Mfr.'s Part No.
2	511-246-325	Manual Main Shut-Off Gas Valve, 1" N.P.T.	Conbraco	50-403-02
			Key	223-142111
	511-246-330	Manual Main Shut-Off Gas Valve, 1 1/4" N.P.T.	Conbraco	50-503-06
			Key	224-142111
3	511-330-229	Pilot Switch Box with built in Pilot Filter, 1/4" CC Inlet and Outlet	Johnson Controls	L62GB-3C
4	511-330-186	Pilot Burner, Constant Burning, Thermally Supervised	Honeywell	Q327A1642
	383-300-410	Standing Pilot Burner Repair Kit, Propane, Includes pilot burner & orifice		
NS	511-330-222	Electronic Pilot Burner with spark and sense rod, Propane	PSE	LP-16
5	560-528-957	Propane Pilot Orifice, .010 Dia., for Q327A	Honeywell	388146KR
6	460-005-624	Pilot Mounting Bracket for both pilot burners	Weil-McLain	
7	512-200-055	LGB Main Burner with Pilot Bracket	Weil-McLain	
8	511-724-245	Thermocouple, 48" Long, for Q327A Pilot	Honeywell	Q309A2010
9	560-528-976	LGB Main Burner Orifice, 2.40mm for Propane	Weil-McLain	
10	511-246-340	Manual Shut-Off Pilot Gas Valve, 1/8" N.P.T. x 1/4" CC	Conbraco	
			Key	P2R
11	560-742-880	Pilot Line Aluminum Tubing, 1/4" O.D. x 20" (2 pieces required)	Weil-McLain	
12	590-849-220	Control Circuit Wiring, 18 Gauge (Feet Required)	Weil-McLain	
13	511-044-039	Pilot Line Solenoid Gas Valve, 1/4" O.D. x 22 3/4" Long	Honeywell	V8046C1014
			Johnson	H91ABG-5C
14	561-643-450	Union, 1/4" CC, Brass	Weil-McLain	
15	560-742-860	Bleed Line Aluminum Tubing, 1/8" O.D. X 22 3/4" Long	Weil-McLain	
16	560-807-360	Bushing, Black 1/4" N.P.T. x 1/8"	Weil-McLain	
17	561-326-200	Nipple, Black 1/8" N.P.T Close	Weil-McLain	
18	561-541-199	Tee, Black 1/8" N.P.T.	Weil-McLain	
19	383-300-425	1" Conversion to V8943A Kit (convert from V88/V8843P to 8943A)	Weil-McLain	
	383-300-426	1-1/4" Conversion V8943A Kit (convert from V88 or V8843P to V8943A)	Weil-McLain	
20	511-044-346	Combination Gas Valve, 1" N.P.T., Propane	Honeywell	V8944L1033
	511-044-218	Combination Gas Valve, 1 1/4" N.P.T., Propane	Honeywell	V8944L1041
NS	511-044-279	Combination Gas Valve, 1" N.P.T. Propane 7000DERHC-LP, LGB 4-5	Robertshaw	5N6-502-789

## LGB-5 CSD-1 Common Parts

Part No.	Description	Mfr.	Mfr.'s Part No.
511-246-290	Manual Gas Valve, 1" NPT	Watts	FBV3-06
511-246-325	Manual Gas Valve, 1" with 2 1/8" taps	Conbraco	
511-246-339	Leak Test Valve	Crescent Metal	
511-044-039	Pilot Gas Valve	Johnson Controls	H91ABG
		Honeywell	V8046C-1014
510-933-195	Pilot Gas Shut Off Valve, 3/4"	Maxitrol	RV20VL-2
511-246-345	Pilot tubing, aluminum, 1/4" x 20", 2 pieces required	Conbraco	53300-01
560-742-880	Pilot Line Union, 1/4"	Linderme Tube	
561-643-450	Pilot tubing, 1/4"		
511-330-086	Ignition Control Module	United Technologies	1003-615
510-350-226	Impulse Relay	Tyco	S89R-11ABD1-24
511-624-580	Push-button switch	Eaton	221K11810
511-624-581	Lens cover (push-button switch)	Caddo	
Purchase Locally	Light Bulb (push button switch)	Texas Instruments	3/4 #85
511-84-364	Transformer, 120vac/24vac, 75 VA, foot mount	Johnson Controls	Y66T13-0
<b>Natural Gas Parts</b>			
511-044-287	Combination Gas Valve, 1"	RobertShaw	7000ERHC-S7C
511-330-221	Electronic pilot burner, with orifice, spark and sense connections	Weil-McLain	
<b>Propane Gas Parts</b>			
511-330-222	Electronic Pilot Burner with spark and sense connections	Weil-McLain	
383-300-410	Standing Pilot Burner	Weil-McLain	
511-330-245	Thermocouple, 48"	Honeywell	Q309A
511-330-229	Pilot switch box	Johnson Controls	L62GB-3C
511-246-340	Pilot Shut off valve-standing pilot line	Weil-McLain	
511-044-279	Combination Gas Valve, 1"	Robertshaw	7000ERHC-LP

LGB Series 2  
CSD-1 Controls  
Universal Control System

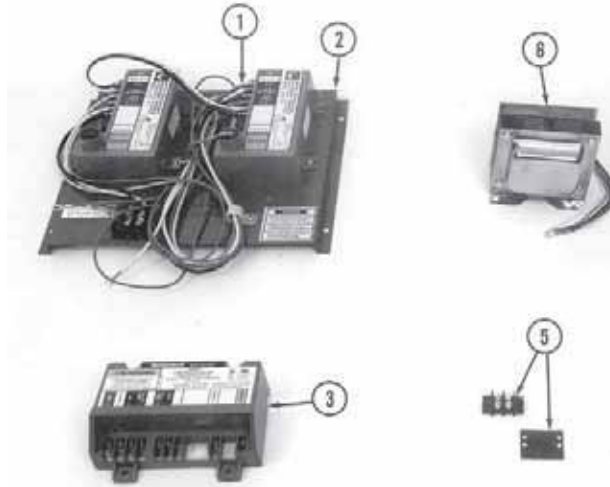


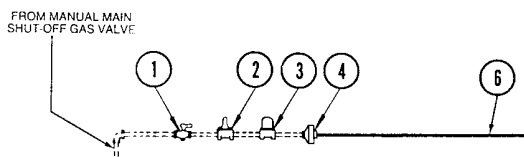
Fig. No.	Part No.	Description	Mfr.	Mfr.'s Part No.	Qty Per Boiler Size		
					4-5	6-12	13-23
<b>Universal Controls Ignition/Sensing Control Modules</b>							
1	511-330-097	Flame Sense Module, 24 Volt	United Technologies	1003-611	1	1	2
2	510-811-456	Universal Control System (UCS) Ignition/Sensing Control Module, Complete	Weil-McLain				
3	511-330-097	Intermittent Pilot Ignition Module, 24 Volt	United Technologies	1003-611		1	2
5	512-050-013	Terminal Block	Weil-McLain		1	1	2
6	511-842-364	Control Transformer, 120/24 Volt, 75 VA Foot Mounted	Honeywell	AT175C1004	1	1	2
			Johnson Controls	Y66ACD-1C			
<b>CSD-1 Controls</b>					5	6-12	13-20
NS	511-330-086	Pilot Proving Module	United Technologies	1003-615	1	1	2
NS	511-330-085	Main Flame Proving Module	United Technologies	1003-60	1	1	2
NS	510-350-226	Impulse Relay	Potter Brumfield	S89R-11	1	1	2
				ABD1-24	1	1	2
NS	511-624-580	Push Button Switch	Honeywell	AML-21CBA2AA	1	1	2
			Eaton Controls	ZZ1K11810K	1	1	2
NS	511-624-581	Lens Cover	Honeywell	AML51-C10R	1	1	2
			Eaton Controls	ZZ0PM0ZA	1	1	2
NS		Light Bulb	Texas Instruments	3/4 #85	1	1	2
NS	510-933-195	Pilot Regulator					

GAS

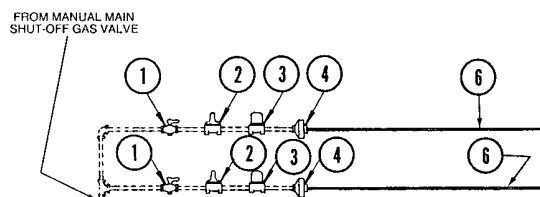
# LGB Series 2 IRI and FM Control System



**IRA AND FM  
PILOT TRAIN GAS PIPING DIAGRAM  
LGB-6 THROUGH LGB-12 BOILERS**



**IRA AND FM  
PILOT TRAIN GAS PIPING DIAGRAM  
LGB-13 THROUGH LGB-23 BOILERS**





**LGB Series 2  
IRI and FM Control System**

Fig. No.	Part No.	Description	Mfr.	Mfr.'s Part No.	Qty Per Boiler Size	
					6-12	13-23
<b>IRI and FM Pilot Line Gas Train Components</b>						
1	511-246-345	Pilot Line Manual Shut-Off Gas Valve, 1/4" N.P.T. Male x 1/4" N.P.T. Female	Conbraco	53-300-01	1	2
2	510-933-195	Pilot Line Gas Pressure Regulating Valve, 3.5-7.0" W.C. Outlet Adjustment Range, 1/4" N.P.T.	Maxitrol	RV20VL-22	1	2
3	511-044-040	Pilot Line Solenoid Gas Valve, Quick Opening, 120 Volt, 1/4" N.P.T.	Johnson	H91ABA-12C	1	2
6	560-742-915	Pilot Line Aluminum Tubing, 1/4" O.D. x 100" Coil	Weil-McLain		1	2
<b>IRI and FM Pilots, Flame Sensing and Ignition Components</b>						
7	511-330-181	Combination Pilot Burner with Flame Rod, Ignition Electrode, and Natural Gas Orifice, 0.026" Dia.	Honeywell	Q179C1009	1	1
8	511-330-221	NG PIN Pilot Burner Assembly with pilot burner, orifice, sensing lead and ignition cable	PSE	NA-16	1	1
9	460-005-624	Combination Pilot Burner Mounting Bracket	Weil-McLain		1	2
10	591-850-140	Rajah Connector, Female, Connects Sensing Cable to Q179C Pilot	Weil-McLain		1	1
11	591-391-798	Ignition Cable, 36" Long, for Q179C Pilot	Weil-McLain		1	1
12	511-724-274	Main Flame Sensor	Honeywell	MH 392956	1	1
13	423-300-420	Main Flame Sensor Mounting Bracket	Weil-McLain		1	1
14	590-849-236	Flame Rod Cable for Main Flame Sensor and Q179C Pilot (Feet Required)	Honeywell	R129 8020	4	4
15	511-802-014	Solid State Ignition Spark Generator, 120 Volt/15,000 Volt, 66VA Primary	Honeywell	Q624 A1014	1	1
16	511-330-097	Pilot Proving Ignition/Sensing Control Module, 24 Volt, Q348A Pilot	Honeywell	S8620 C1003	-	1
			United Technologies	1003-511	-	1
17	510-312-166	Control Transformer/Relay Receptacle 120/24 Volt, 40 VA, Plate Mounted, for Universal Control System (UCS) Ignition Sensing Control	Honeywell	AT72 H1002	-	1
			White-Rodgers	599-9002	-	1

## LGB Series 2 IRI and FM Main Gas Control Train Components 7" W.C. Natural Gas Supply Pressure

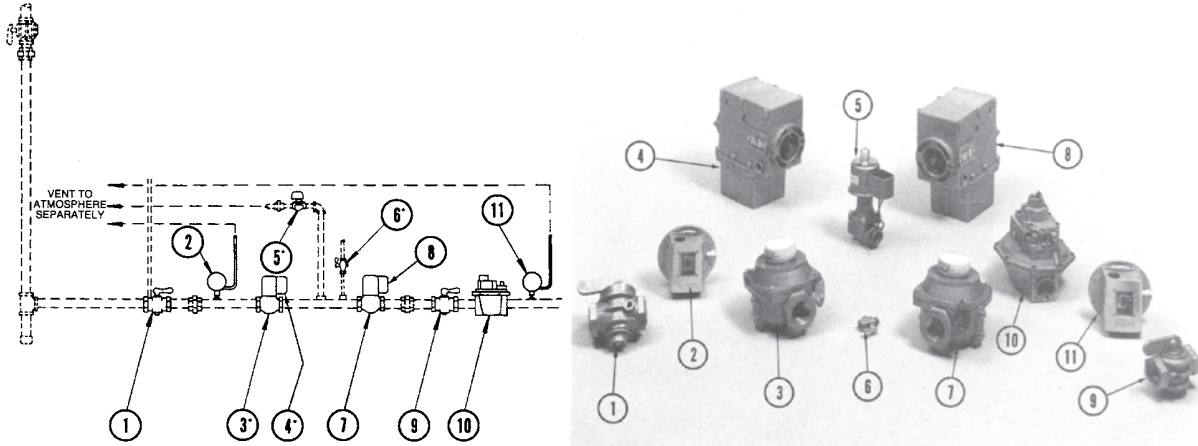


Fig. No.	Part No.	Description	Mfr.	Mfr.'s Part No.	Boiler Size
1,9	511-246-325	Manual Main Shut-Off Gas Valve, 1" N.P.T., with 1/8" N.P.T. Female Pilot Take-Off Tapping and 1/4" N.P.T. Female Downstream Pressure Tapping, Lubricated Type	Conbraco	50-503-02	5,6,7
1,9	511-246-330	Manual Main Shut-Off Gas Valve, 1 1/4" N.P.T., with 1/8" N.P.T. Female Pilot Take-Off Tapping and 1/4" N.P.T. Female Downstream Pressure Tapping, Lubricated Type	Conbraco Key	50-503-06 224-142111	8,9,10
1,9	511-246-300	Manual Main Shut-Off Gas Valve, 1 1/2" N.P.T., with 1/8" N.P.T. Female Pilot Take-Off Tapping and 1/4" N.P.T. Female Downstream Pressure Tapping, Lubricated Type	Conbraco	50-603-06	11-18
1,9	511-246-305	Manual Main Shut-Off Gas Valve, 2" N.P.T., with 1/8" N.P.T. Female Pilot Take-Off Tapping and 1/4" N.P.T. Female Downstream Pressure Tapping, Lubricated Type	Conbraco	50-703-06	19-23
2	511-624-550	Low Gas Pressure Switch, SPDT, Manual Reset, Lockout on Pressure Fill, Diaphragm Type, 3.0-21.0" W.C. Range, 1.0-3.0" W.C. Differential, 1/4" N.P.T. Female Connector, 1/8" N.P.T. Female Vent Connector, with Switch Position Indicator	Honeywell	C645A1030	All Sizes
3,7	510-744-315	Motorized Gas Valve Small Body, with 1/4" N.P.T. Female Downstream Pressure Tapping	Honeywell	V5097A1004	5 - 17
NS	511-044-170	1" Pipe Flange Adapter for Gas Valve Body	Honeywell	32000109-002	5,6,7
NS	511-044-171	1 1/4" Pipe Flange Adapter for Gas Valve Body	Honeywell	32000109-003	8,9,10
NS	511-044-172	1 1/2" Pipe Flange Adapter for Gas Valve Body	Honeywell	32000109-004	11-18
NS	511-044-173	2" Pipe Flange Adapter for Gas Valve Body	Honeywell	32000109-005	19-23
4,8	510-744-317	Fluid Power Gas Valve Actuator, On Off, 120 volt	Honeywell	V4055A1098	5 - 23
NS*	511-044-176	Adapter for Solenoid Vent Valve (fits small valve body)	Honeywell	32002513	All sizes

**LGB Series 2**  
**IRI and FM Main Gas Control Train Components**  
**7" W.C. Natural Gas Supply Pressure**

5*	511-046-340	Solenoid Vent Valve, Normally Open, Quick Closing, 120 Volt, 3/4" N.P.T.	ASCO	S262SA02 N3EG5	5 - 13
			Honeywell	V4295S1005	
5*	511-046-342	Solenoid Vent Valve, Normally Open, Quick Closing, 120 Volt, 1" N.P.T.	ASCO	S262SA02 N3F5	14-23
			Honeywell	V4295S1013	
			Honeywell	V4295S1021	
6	511-210-415	Test Cock, 1/4" N.P.T.	Conbraco	41-560-05	All Sizes
10	511-048-503	Combination Gas Control Valve, 1" N.P.T., 120 Volt, with Low Fire Operator, High Fire Operator, and Main Pressure Regulator, 1/8" N.P.T. Downstream Pressure Tapping	Honeywell	V4944N1011	5,6,7
10	511-048-502	Combination Gas Control Valve, 1 1/4" N.P.T., 120 Volt, with Low Fire Operator, High Fire Operator, and Main Pressure Regulator, 1/8" N.P.T. Downstream Pressure Tapping	Honeywell	V4944N1029	8 -10
10	511-048-501	Combination Gas Control Valve, 1 1/2 " N.P.T., 120 Volt, with Low Fire Operator, High Fire Operator, and Main Pressure Regulator, 1/8" N.P.T. Downstream Pressure Tapping	Honeywell	V4944N1037	11-13
10	511-048-500	Combination Gas Control Valve, 2" N.P.T., 120 Volt, with Low Fire Operator, High Fire Operator, and Main Pressure Regulator, 1/8" N.P.T. Downstream Pressure Tapping	Honeywell	V4944N1045	14-23
11	511-624-555	High Gas Pressure Switch, SPDT, Manual Reset, Lockout on Pressure Rise, Diaphragm Type, 3.0- 21.0" W.C. Range, 1.0-3.0" W.C. Differential, 1/4" N.P.T. Female Connector, 1/8" N.P.T. Female Vent Connector, with Switch Position Indicator	Honeywell	C645B1013	All Sizes

## LGB Series 2 IRI and FM Main Gas Control Train Components 5.5" W.C. Natural Gas Supply Pressure

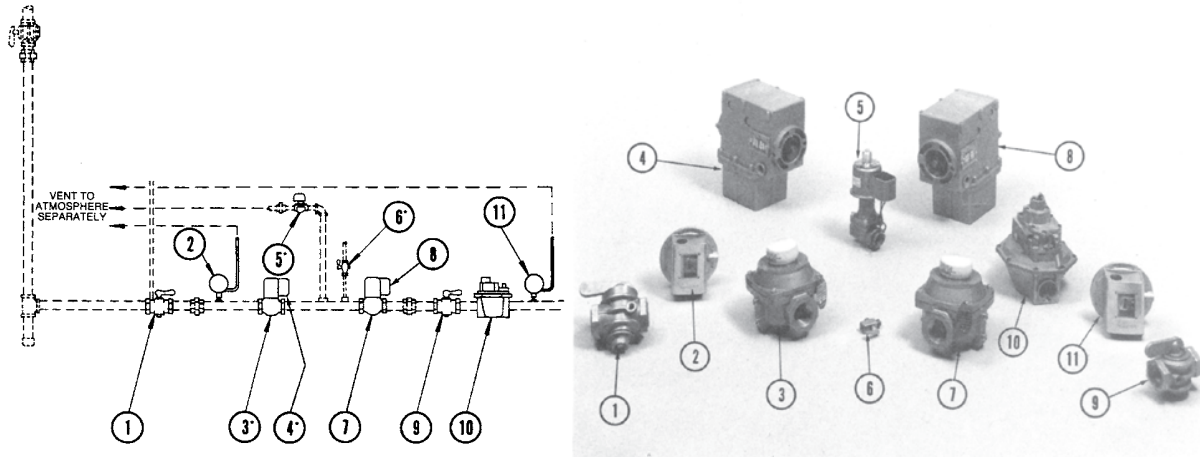


Fig. No.	Part No.	Description	Mfr.	Mfr.'s Part No.	Boiler Size
1,9	511-246-330	Manual Main Shut-Off Gas Valve, 1 1/4" N.P.T., with 1/8" N.P.T. Female Pilot Take-Off Tapping and 1/4" N.P.T. Female Downstream Pressure Tapping, Lubricated Type	Conbraco	50-503-06	5,6,7
			Key	224-142111	
1,9	511-246-300	Manual Main Shut-Off Gas Valve, 1 1/2" N.P.T., with 1/8" N.P.T. Female Pilot Take-Off Tapping and 1/4" N.P.T. Female Downstream Pressure Tapping, Lubricated Type	Conbraco	50-603-06	8
1,9	511-246-305	Manual Main Shut-Off Gas Valve, 2" N.P.T., with 1/8" N.P.T. Female Pilot Take-Off Tapping and 1/4" N.P.T. Female Downstream Pressure Tapping, Lubricated Type	Conbraco	50-703-06	9 - 17
1,9	511-246-310	Manual Main Shut-Off Gas Valve, 2 1/2" N.P.T., with 1/4" N.P.T. Female Pilot Take-Off Tapping and 1/4" N.P.T. Female Downstream Pressure Tapping, Lubricated Type	Conbraco	50-803-02	18 - 20
1,9	511-210-431	Manual Main Shut-Off Gas Valve, 3" N.P.T., with 1/4" N.P.T. Female Pilot Take-Off Tapping and 1/4" N.P.T. Female Downstream Pressure Tapping, Lubricated Type	Weil-McLain	R-1430	21-23
2	511-624-550	Low Gas Pressure Switch, SPDT, Manual Reset, Lockout on Pressure Fill, Diaphragm Type, 3.0-21.0" W.C. Range, 1.0-3.0" W.C. Differential, 1/4" N.P.T. Female Connector, 1/8" N.P.T. Female Vent Connector, with Switch Position Indicator	Honeywell	C645A1030	All Sizes
3,7	510-744-315	Motorized Gas Valve Small Body, with 1/4" N.P.T. Female Downstream Pressure Tapping	Honeywell	V5097 A1004	5 - 17
NS	511-044-171	1 1/4" Pipe Flange Adapter for Gas Valve Body	Honeywell	32000 109-003	5,6,7
NS	511-044-172	1 1/2" Pipe Flange Adapter for Gas Valve Body	Honeywell	32000 109-004	8

**LGB Series 2**  
**IRI and FM Main Gas Control Train Components**  
**5.5" W.C. Natural Gas Supply Pressure**

NS	511-044-173	2" Pipe Flange Adapter for Gas Valve Body	Honeywell	32000 109-005	9 - 17
3,7	510-744-316	Motorized Gas Valve Large Body, with 1/4" N.P.T. Female Downstream Pressure Tapping	Honeywell	V5097 A1012	18 - 23
NS	511-044-174	2 1/2" Pipe Flange Adapter for Gas Valve Body	Honeywell	32001 605-002	18 - 20
NS	511-044-175	3" Pipe Flange Adapter for Gas Valve Body	Honeywell	32001 605-003	21 - 23
4,8	510-744-317	Fluid Power Gas Valve Actuator, On/Off, 120 volt	Honeywell	V4055 A1098	5 -23
NS*	511-044-176	Adapter for Solenoid Vent Valve (fits small valve body)	Honeywell	32002513	5 - 17
NS*	511-044-177	Adapter for Solenoid Vent Valve (fits large valve body)	Honeywell	32002512	18 - 23
5*	511-046-340	Solenoid Vent Valve, Normally Open, Quick Closing, 120 Volt, 3/4" N.P.T.	ASCO	S262SA02 N3EG5	5 - 8
			Honeywell	V4295 S1005	
5*	511-046-342	Solenoid Vent Valve, Normally Open, Quick Closing, 120 Volt, 1" N.P.T.	ASCO	S262SA02 N3F5	9 -17
			Honeywell	V4295 S1013	
5*	511-046-344	Solenoid Vent Valve, Normally Open, Quick Closing, 120 Volt , 1 1/4" N.P.T.	ASCO	S262SA02 N3GJ7	18 - 23
			Honeywell	V4295 S1021	
6	511-210-415	Test Cock, 1/4" N.P.T.	Conbraco	41-560-05	All Sizes
10	511-048-502	Combination Gas Control Valve, 1 1/4" N.P.T., 120 Volt, with Low Fire Operator, High Fire Operator, and Main Pressure Regulator, 1/8" N.P.T. Downstream Pressure Tapping	Honeywell	V4944 N1029	5 - 7
10	511-048-501	Combination Gas Control Valve, 1 1/2 " N.P.T., 120 Volt, with Low Fire Operator, High Fire Operator, and Main Pressure Regulator, 1/8" N.P.T. Downstream Pressure Tapping	Honeywell	V4944 N1037	8
10	511-048-500	Combination Gas Control Valve, 2" N.P.T., 120 Volt, with Low Fire Operator, High Fire Operator, and Main Pressure Regulator, 1/8" N.P.T. Downstream Pressure Tapping	Honeywell	V4944 N1045	9 - 23
11	511-624-555	High Gas Pressure Switch, SPDT, Manual Reset, Lockout on Pressure Rise, Diaphragm Type, 3.0-21.0" W.C. Range, 1.0-3.0" W.C. Differential, 1/4" N.P.T. Female Connector, 1/8" N.P.T. Female Connector, with Switch Position Indicator	Honeywell	C645B1013	All Sizes

**LGB-6 through LGB-12 Series 2  
IRI and FM Flame Guardian WMBC-1A Control System  
Pilot Proving and Main Flame Proving System**

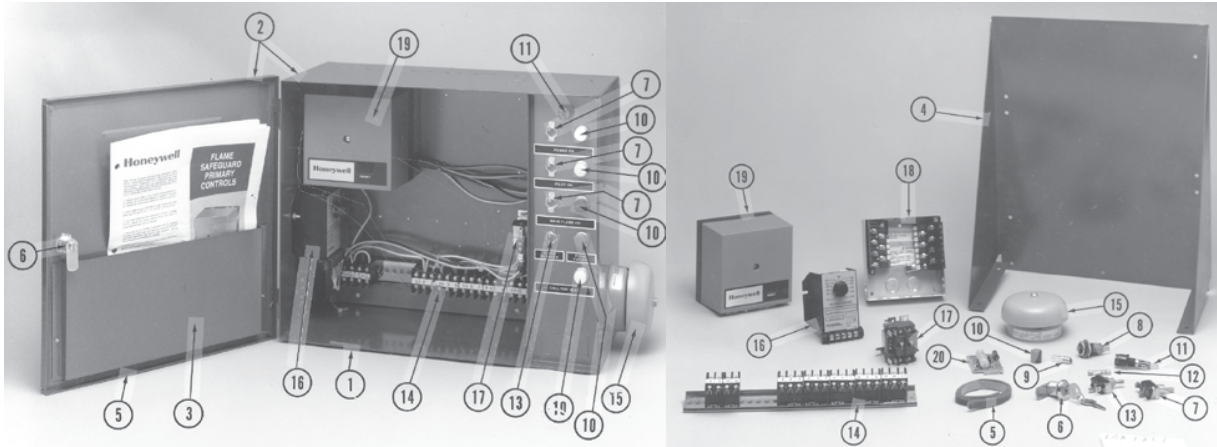


Fig. No.	Part No.	Description	Mfr.	Mfr.'s Part No.	Qty Per System
6	591-850-003	Door Lock and Key set (Two keys)			1 Set
7	511-624-575	Power on Manual Toggle Switch, SPST, 24 Volt or 120 Volt	McGill	3190-0003	1
8	591-850-205	Indicating Lamp Holder, 24 Volt or 120 Volt			2
9	591-850-370	Indicating Lamp Bulb, 24 Volt, Incandescent		120MB	2
10	591-850-200	Indicating Lamp Lens, Lexan, Screw-On White, Power On			1
	591-850-200	Indicating Lamp Lens, Lexan, Screw-On White, Call for Heat			1
	591-850-201	Indicating Lamp Lens, Lexan, Screw-On Blue, Gas Valve On			1
	591-850-202	Indicating Lamp Lens, Lexan, Screw On Yellow, Pilot On			1
	591-850-203	Indicating Lamp Lens, Lexan, Screw-On Red, Flame Failure			1
11	591-850-180	Fuse Holder Panel, 24 Volt or 120 Volt	Buss	HKP-HH	1
12	591-850-183	Fuse, 24 Volt, 6 amps	Buss	MTH-6	1
13	511-624-576	Manual Toggle Switch, SPDT, 24 Volt or 120 Volt, used for Alarm Silencing	McGill	3192-0003	1
14	512-050-027	Terminal Block Set	Curtis	WT-19	1
15	511-802-615	Alarm Bell, 4" Dia., 120 Volt, Designed for cabinet mounting	Weil-McLain		1
16	510-350-430	Purge Timer Kit, 120 Volt, 0-5 Min., Adjustable Delay, Provides 5 Minute Enforced Wait-Purge in the Event of Flame Failure	SSAC	ERDM427	1
17	510-311-012	Control Relay, DPDT, 120 volt holding coil	Honeywell	R4222D1013	1
18	510-350-433	Flame Safeguard Control Mounting and Wiring Sub-base, Four Sides	Honeywell	Q7800B1003	1
19	510-350-431	Flame Safeguard Burner Primary Control, Flame Rectification, 120 Volt, 3 sec. Nominal Flame Response Timing, 10 sec. Timed Trial for Pilot, 10 sec. Timed Trial for Main Flame, Lock-Out on interlocking Contact Failure	Honeywell	RM7895C-1012	1
20	510-350-432	Flame Safeguard Control Plug-in Pre-Purge Timer, 2 Sec. Purge	Honeywell	ST800A-1005	1
	510-350-434	Flame amplifier	Honeywell	R7847A-1033	
	510-350-435	Display module	Honeywell	7800	

**LGB-13 through LGB-23 Series 2  
IRI and FM Flame Guardian WMBC-2A Control System  
Pilot Proving and Main Flame Proving System**

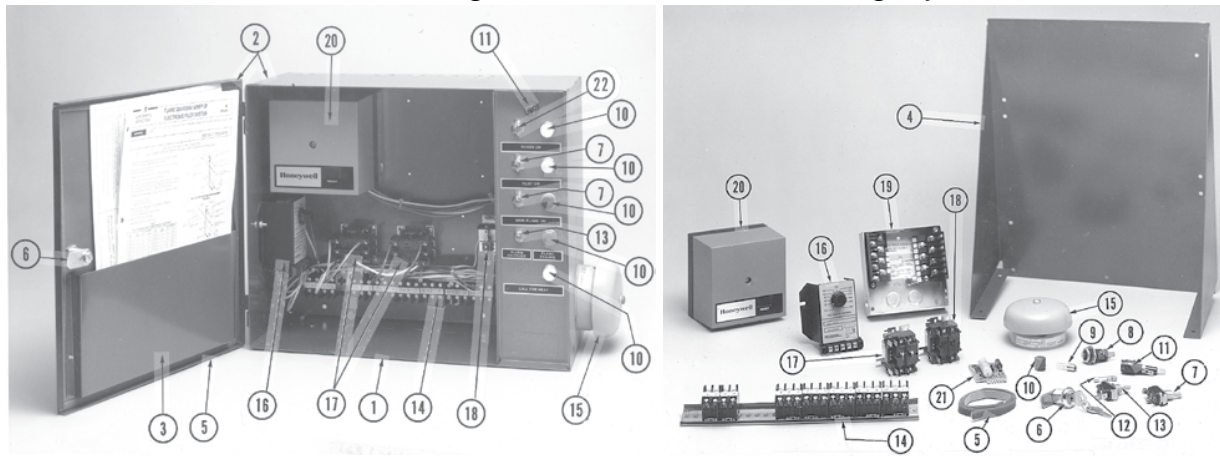


Fig. No.	Part No.	Description	Mfr.	Mfr.'s Part No.	Qty Per System
6	591-850-003	Door Lock and Key set (Two keys)			1
7	511-624-575	Power on Manual Toggle Switch, SPST, 24 Volt or 120 Volt	McGill	3190-0003	3
8	591-850-205	Indicating Lamp Holder, 24 Volt or 120 Volt			5
9	591-850-370	Indicating Lamp Bulb, 24 Volt, Incandescent		120MB	5
10	591-850-200	Indicating Lamp Lens, Lexan, Screw-On White, Power On			1
	591-850-200	Indicating Lamp Lens, Lexan, Screw-On White, Call for Heat			1
	591-850-201	Indicating Lamp Lens, Lexan, Screw-On Blue, Gas Valve On			1
	591-850-202	Indicating Lamp Lens, Lexan, Screw-On Yellow, Pilot On			1
	591-850-203	Indicating Lamp Lens, Lexan, Screw-On Red, Flame Failure			1
11	591-850-180	Fuse Holder Panel, 24 Volt or 120 Volt	Buss	HKP-HH	2
12	591-850-183	Fuse, 24 Volt, 6 amps	Buss	MTH-6	2
13	511-624-576	Manual Toggle Switch, SPDT, 24 Volt or 120 Volt, used for Alarm Silencing	McGill	3192-0003	1
14	512-050-026	Terminal Block Set	Curtis	WT-19	1
15	511-802-615	Alarm Bell, 4" Dia., 120 volt, designed for Cabinet Mounting			1
16	510-350-430	Purge Timer Kit, 120 Volt, 0-5 Min., Adjustable Delay, Provides 5 Minute Enforced Wait-Purge in the Event of Flame Failure	SSAC	ERDM427	1
17	510-311-012	Control Relay, DPDT, 120 volt holding coil	Honeywell	R4222D1013	1
18	510-350-221	Control Relay, SPST, 24 volt holding coil	Honeywell	R8222A1002	2
19	510-350-433	Flame Safeguard Control Mounting and Wiring Sub-base, Four Sides	Honeywell	Q7800B1003	1
20	510-350-431	Flame Safeguard Burner Primary Control, Flame Rectification, 120 Volt, 3 sec. Nominal Flame Response Timing, 10 sec. Timed Trial for Pilot, 10 sec. Timed Trial for Main Flame, Lock-Out on interlocking Contact Failure	Honeywell	RM7895C-1012	1
21	510-350-432	Flame Safeguard Control Plug-in Pre-Purge Timer, 2 Sec. Purge	Honeywell	ST800A-1005	1
22	511-624-578	Manual toggle switch, used for power on, reset	McGill	1121-0009	1
	510-350-434	Flame amplifier			
	510-350-435	Display module			

**LGB-6 through LGB-12 Series 2  
Flame Guardian WFFP-1 Control System  
Pilot Proving and Main Flame Proving System**

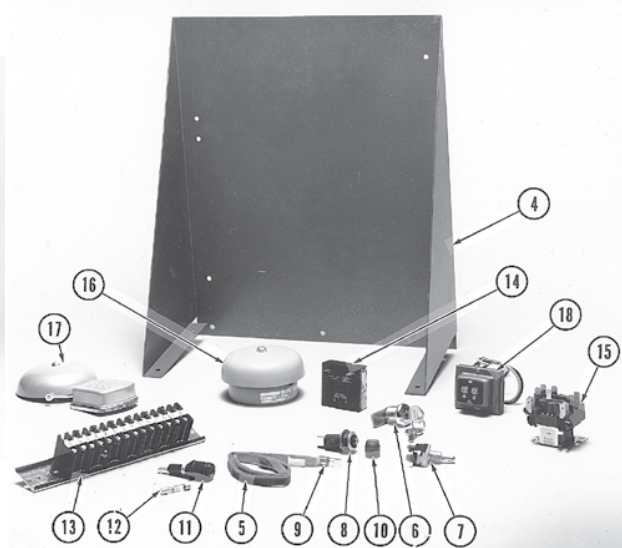
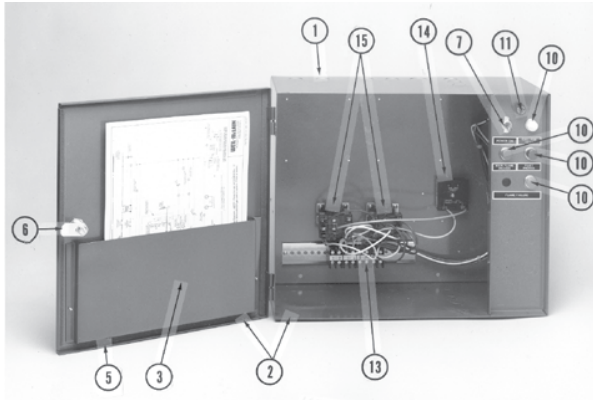


Fig. No.	Part No.	Description	Mfr.	Mfr.'s Part No.	Qty Per WFFP-1 System
6	591-850-003	Door Lock and Key set (Two keys)	Weil-McLain		1 Set
7	511-624-575	Power in Manual Toggle Switch, SPST, 24 Volt or 120 Volt	McGill	3190-0003	1
8	591-850-205	Indicating Lamp Holder, 24 Volt or 120 Volt	Weil-McLain		4
9	591-850-365	Indicating Lamp Bulb, 24 Volt, Incandescent	Weil-McLain		4
10	591-850-200	Indicating Lamp Lens, Lexan, Screw-On Type-white, Call for heat	Weil-McLain		
10	591-850-201	Indicating lamp Lens, Lexan, Screw-On Type-Blue, Pilot Proven	Weil-McLain		1
10	591-850-210	Indicating Lamp Lens, Lexan, Screw-On Type-Green, Main Flame Proven	Weil-McLain		
10	591-850-203	Indicating Lamp Lens, Lexan Screw-On Type-Red, Flame failure	Weil-McLain		1
11	591-850-180	Fuse Holder Panel, 24 Volt or 120 Volt	Buss	HKP-HH	1
12	591-850-183	Fuse, 24 Volt, 6 Amps	Buss	MTH-6	1
13	512-050-026	Terminal block Set	Curtis	WT-14	1
14	570-350-370	Delay Timer, 24 Volt, 5 sec. Delay	SSAC	TS121360	1
16	511-802-615	Alarm Bell, 4» Dia., 120 Volt, Designed for cabinet mounting	Weil-McLain		
17	511-802-621	Alarm Bell, 2» Dia., 12 Volt, designed for remote mounting	Weil-McLain		
18	511-802-620	Transformer, 120/12 volt, for use with 2» Dia. Alarm bell	Weil-McLain		



**LGB-13 through LGB-23 Series 2  
Flame Guardian WFFP-2 Control System  
Pilot Proving and Main Flame Proving System  
with Prewired Control Cabinet**

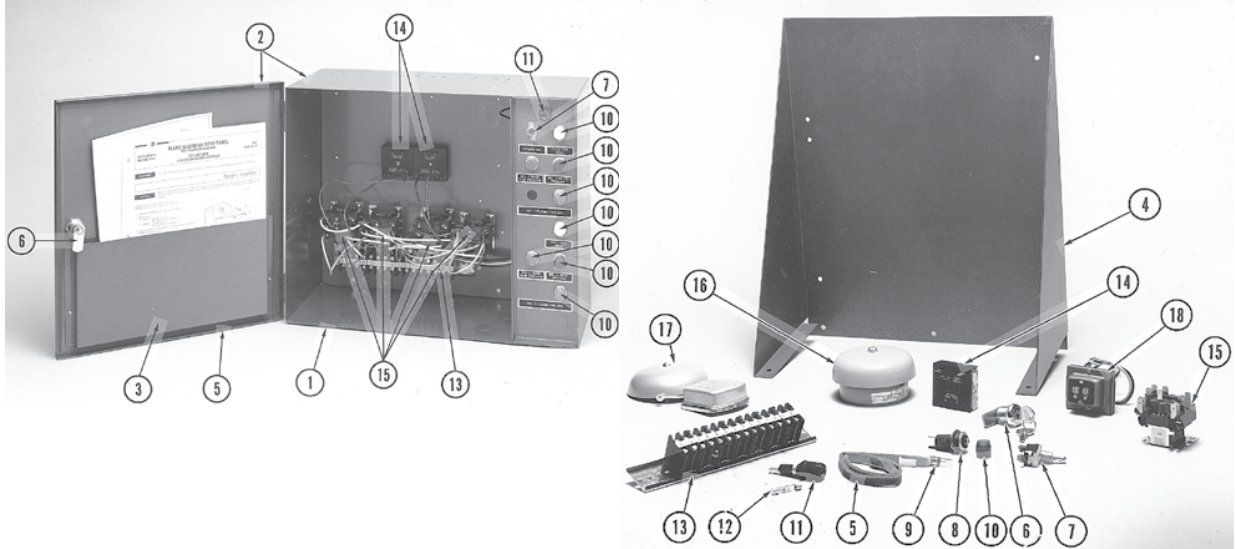


Fig. No.	Part No.	Description	Mfr.	Mfr.'s Part No.	Qty Per WFFP-2 System
1	383-300-190	WFFP-2 Flame Guardian Control System - Complete with cabinet, internal components, and mounting bracket			1
6	591-850-003	Door Lock and Key set (Two keys)			1 Set
7	511-624-575	Power on Manual Toggle Switch, SPST, 24 Volt or 120 Volt	McGill	3190-0003	1
8	591-850-205	Indicating Lamp Holder, 24 Volt or 120 Volt			8
9	591-850-365	Indicating Lamp Bulb, 24 Volt, Incandescent			8
10	591-850-200	Indicating Lamp Lens, Lexan, Screw-On White, Power On			2
	591-850-201	Indicating Lamp Lens, Lexan, Screw-On Blue, Gas Valve On			2
	591-850-210	Indicating Lamp Lens, Lexan, Screw-On Blue, Pilot Proven			2
	591-850-203	Indicating Lamp Lens, Lexan, Screw-On Red, Flame Failure			2
11	591-850-180	Fuse Holder Panel, 24 Volt or 120 Volt	Buss	HKP-HH	1
12	591-850-183	Fuse, 24 Volt, 6 Amps	Buss	MTH-6	1
13	512-050-026	Terminal Block Set	Curtis	WT-14	1
14	570-350-370	Delay Timer, 24 volt, 360 second delay	SSAC	TS121360	2
15	510-311-019	Control Relay, DPDT, 24 volt holding coil	Honeywell	R8222D1014	4
19	511-802-615	Alarm Bell, 4" Dia., 120 Volt, Designed for cabinet mounting	Weil-McLain		
17	511-802-621	Alarm Bell, 2" Dia., 120 Volt, Designed for cabinet mounting	Weil-McLain		
18	511-802-620	Transformer, 120/12 volt, for use on 2" Dia. alarm bell	Weil-McLain		

## LGB Series 2 Water Trim

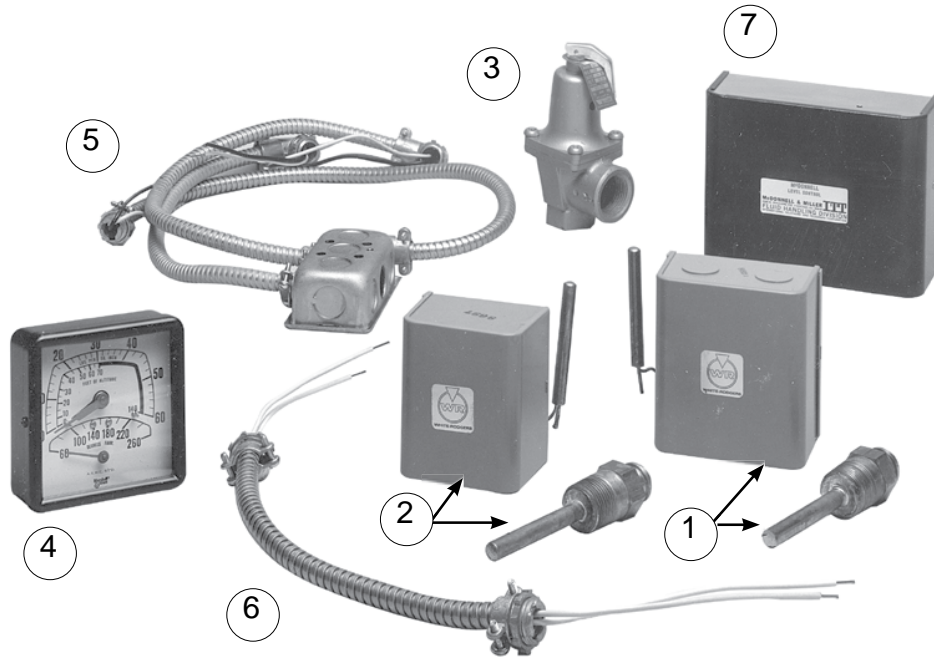


Fig. No.	Part No.	Description	Mfr.	Mfr.'s Part No.	Boiler Size
1	510-312-065	Combination Operating and High Limit Control, DPST, Automatic Recycle, with 3/4" N.P.T. Control Well. OPERATING LIMIT: 100 - 220° Range with 10-35°F Adjustable Subtractive Differential. HIGH LIMIT: 140-240°F Range with 10°F Fixed Subtractive Differential.	Honeywell	L4081A1189	4 - 20
			White-Rodgers	11C30-3	
2	510-312-209	High Limit Temperature Control, SPST Automatic Recycle, 140-240°F Range, 10°F Fixed Subtractive Differential with 3/4" N.P.T. Control Well (Separate Controls used for Operating and High Limit Function for LGB-21 through LGB-23 Boilers)	Honeywell	L4080B1311	21 - 23
			White-Rodgers	11B83-16	
3	511-546-924	ASME Pressure Relief Valve, Set to Relieve at 30 PSIG, 3/4" N.P.T. Male Inlet x 3/4 " N.P.T. Female Outlet; Side Outlet Type	Conbraco	10-408-05	4 - 5
	511-546-925	ASME Pressure Relief Valve, Set to Relieve at 30 PSIG, 3/4" N.P.T. Male Inlet x 1" N.P.T. Female Outlet; Side Outlet Type	Watts	335	4 - 5
	511-546-930	ASME Pressure Relief Valve, Set to Relieve at 30 PSIG, 1" N.P.T. Male Inlet x 1 1/4 " N.P.T. Female Outlet; Side Outlet Type	Watts	740	10 - 13
	511-546-935	ASME Pressure Relief Valve, Set to Relieve at 30 PSIG, 1 1/4 " N.P.T. Male Inlet x 1-1/2" N.P.T. Female Outlet; Side Outlet Type	Watts	740	14 - 20
	511-546-940	ASME Pressure Relief Valve, Set to Relieve at 30 PSIG, 1 1/2" N.P.T. Male Inlet x 2 " N.P.T. Female Outlet; Side Outlet Type	Watts	740	21 - 23
4	510-218-065	Combination Pressure-Temperature Gauge, 0-50 PSIG, 60-260°F Back Connection, 1/2" N.P.T.	ENF	#4104-3.25	All Sizes
			Ametek	PTA1088	
			Marshall-town	13HJ	
5	591-319-793	Temperature Control Wiring Harness			21 - 23
6	591-319-801	Water Trim Wiring Harness			4-23
7	511-114-528	Electrode Type Low Water Cut-Off, 120 Volt, SPDT, Automatic Recycle, 160 PSIG Rated, 1/2" N.P.T. Male Electrode	McDonnell-Miller	PS-851-120	All Sizes

## LGB Series 2 Steam Trim

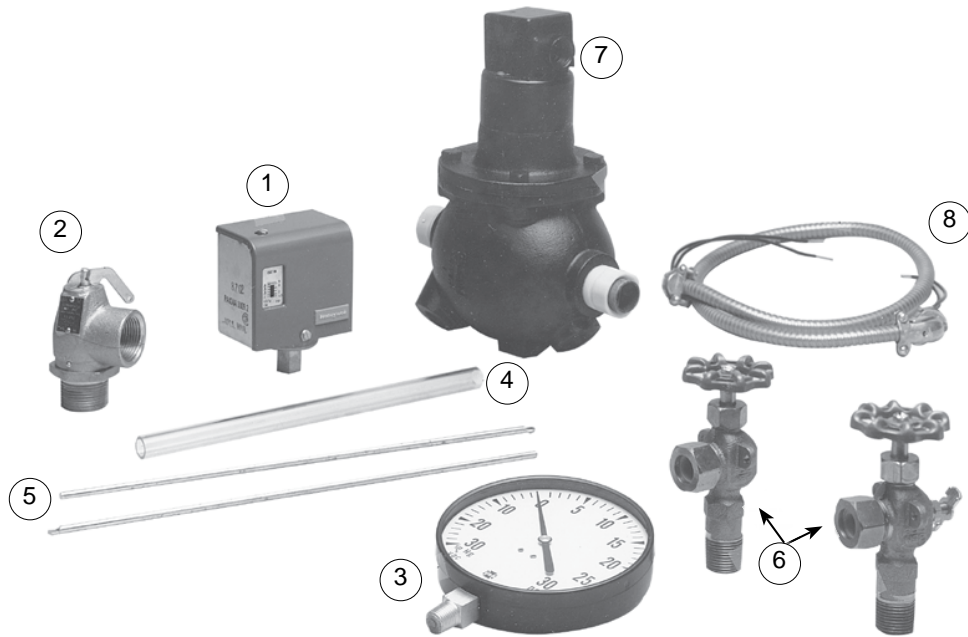
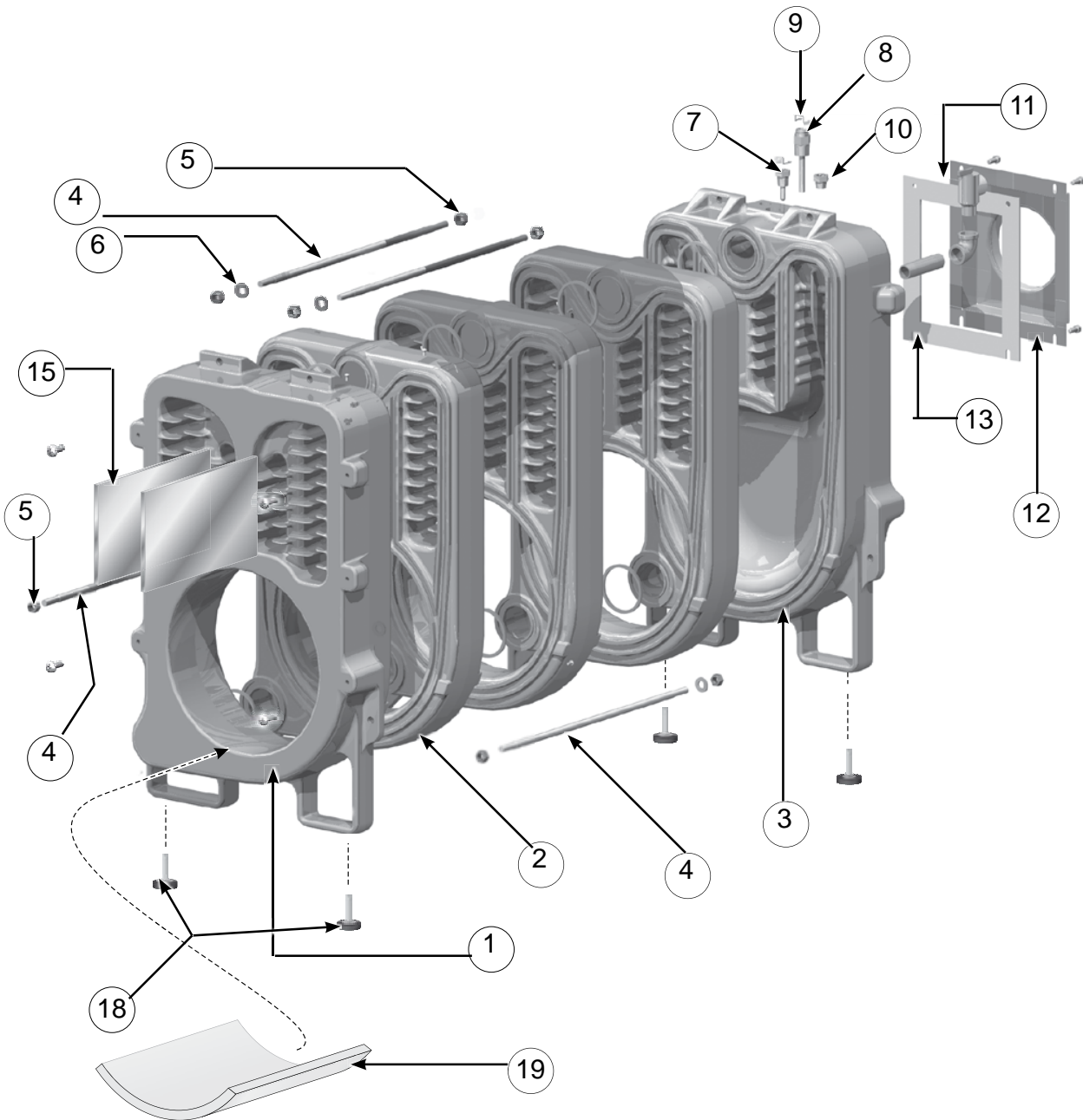


Fig. No.	Part No.	Description	Mfr.	Mfr.'s Part No.	Boiler Size
1	510-312-135	High Limit Steam Pressure Control, SPST, Automatic Recycle, 0-9 PSIG Range, 0-5 PSIG Adjustable Additive Differential, Bottom Connection, 1/4" N.P.T. Male	Honeywell	PA404A1009	All
1	510-312-106	High Limit Steam Pressure Control, SPST, Automatic Recycle, 0-9 PSIG Range, 0-5 PSIG Adjustable Additive Differential, Bottom Connection, 1/4" N.P.T. Male	Johnson Controls	P47AA-25D	All
2	511-548-046	ASME Steam Safety Relief Valve, Set to Relieve at 15 PSIG, Side Outlet, 1" N.P.T. Male Inlet x 1" N.P.T. Female Outlet, 643 lbs/Hr Capacity	Conbraco	13-202-08	4 - 7
2	511-548-051	ASME Steam Safety Relief Valve, Set to Relieve at 15 PSIG, Side Outlet, 1 1/2" N.P.T. Male Inlet x 1 1/2" N.P.T. Female Outlet, 1200 lbs/Hr Capacity	Conbraco	13-213-08	8 - 12
2	511-548-052	ASME Steam Safety Relief Valve, Set to Relieve at 15 PSIG, Side Outlet, 1 1/2" N.P.T. Male Inlet x 2" N.P.T. Female Outlet, 1900 lbs/Hr Capacity	Conbraco	13-214-08	13 - 19
2	511-548-056	ASME Steam Safety Relief Valve, Set to Relieve at 15 PSIG, Side Outlet, 2" N.P.T. Male Inlet x 2" N.P.T. Female Outlet, 2500 lbs/Hr Capacity	Conbraco	12-205-08	20 - 23
3	510-218-100	Combination Pressure-Vacuum Gauge, 0-30 PSIG, 0-30" Hg., 4 1/2" Dial, Bottom Connection, 1/4" N.P.T. Spec 04459	Ametek	USC500-5549	All
4	383-600-002	Water Gauge Glass Kit, 5/8" x 10 5/8" with gaskets and brass washers	Weil McLain		All
5	563-334-595	Water Gauge Glass Guard, 3/16" Dia. X 12 1/2" Long (2 per Gauge Glass)	Weil McLain		All
6	510-218-145	Water Gauge Glass Cocks, Set 1/2" N.P.T. Male Inlet	Conbraco	21-205-03W	All
7	511-114-474	Float Type Low Water Cut-Off, SPCT, Automatic Recycle, 14 PSIG Rated, 1" N.P.T.	McDonnell Miller	61	All
8	591-319-800	Steam Trim Wiring Harness	Weil McLain		All

# Ultra Oil Boiler Section Assembly Parts



OIL

## Ultra Oil Boiler Section Assembly Parts

Fig. No.	Part No.	Description
1	316-900-200	Boiler Front Section
2	316-900-210	Boiler Intermediate Section
3	316-900-220	Boiler Back Section
4	560-234-468	Tie rods (4 required) UO-3
	560-234-472	Tie rods (4 required) UO-4
	560-234-477	Tie rods (4 required) UO-5
5	561-928-221	Nuts (8 required)
6	562-248-668	Washers (4 required)
7	592-300-025	P/T gauge temperature sensor well
9	512-400-001	Mounting clip for P/T gauge and limit well
10	512-400-000	P/T gauge pressure sensor check valve
11	511-546-920	Boiler Relief Valve
12	446-900-000	Flue Collar
13	590-318-028	Flue Collar Gasket
NS	386-902-002	Flue collar replacement Kit (flue collar plate, gasket, (4) bolts)
15	452-800-455	Flueway baffles (for UO-3 1.0 GPH input only) — (2) required
NS	386-902-004	Front/Intermediate section replacement kit (Includes: seals & rope)
NS	386-902-003	Back section replacement kit (Includes: seals, rope, flue gasket)
18	386-902-013	Leveling legs (4)
19	591-221-287	UO-3 0.80 GPH ONLY combustion chamber floor blanket
NS	386-902-007	UO-3 0.80 GPH ONLY low firing rate kit (Includes: blanket, water glass, nozzle)
	591-706-241	Flueway Brush
	572-800-021	3.5" square cut seal for top and bottom

## Ultra Oil Burner Door Parts

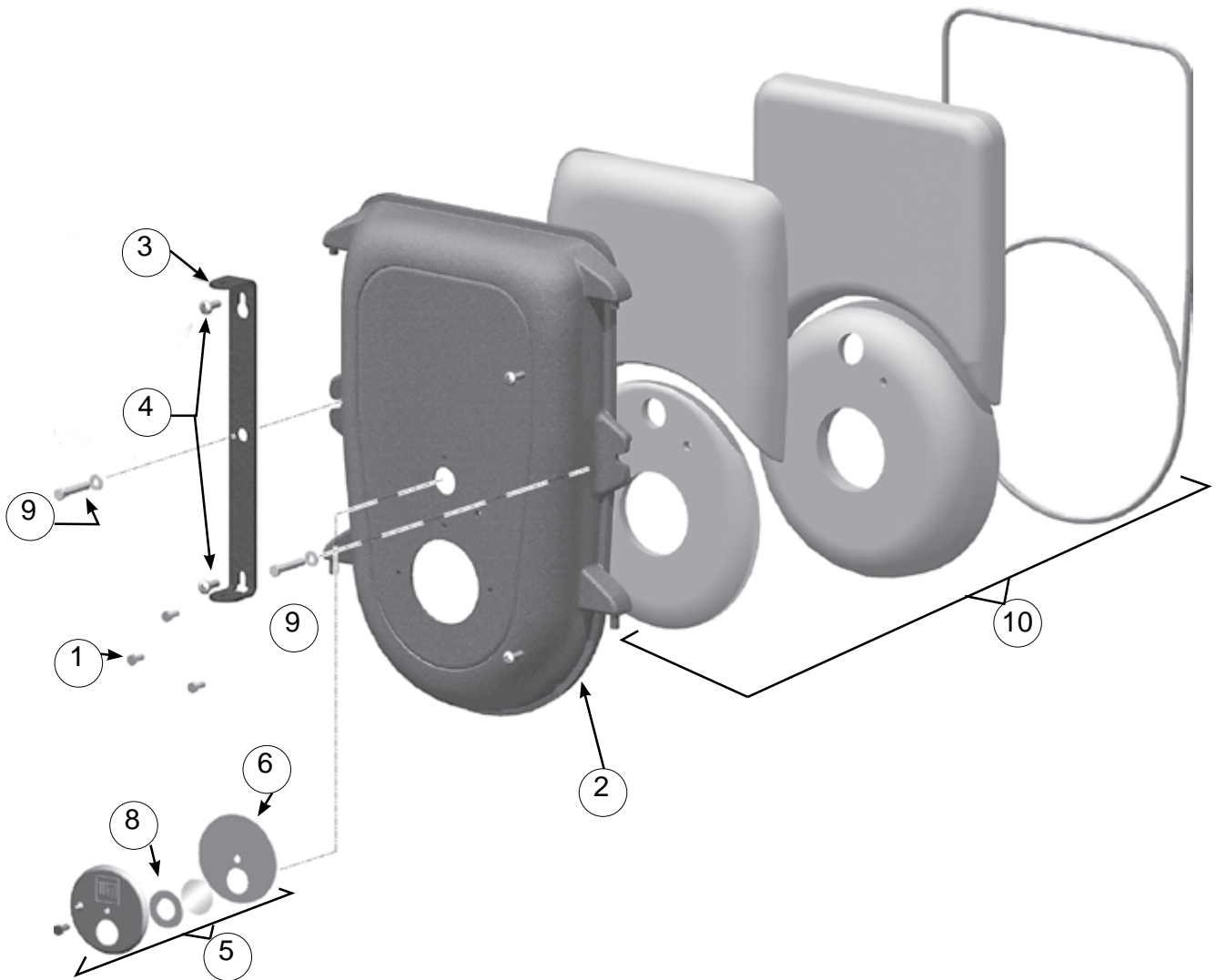


Fig. No.	Part No.	Description
1	Purchase locally	Burner flange bolts (3) each, 5/16"-18 x 3/4" Hex HD SS
2	330-054-308	Burner door
3	466-900-000	Burner door hinge bracket
4	Purchase locally	Hinge bracket screws (2 required), 3/8"-16 x 1
5	386-902-000	Observation port assembly (Includes: observation port, bolt, observation port gasket, sight glass gasket, sight glass, water glass)
6	590-318-027	Observation port gasket (requires water glass adhesive)
NS	591-632-612	Water glass for observation port gasket
8	590-317-580	Sight glass gasket
9	Purchase locally	Burner door retainer bolts and washers (2) each, 3/8"-16 x 2" Hex HD ZP
10	386-902-001	Burner door insulation kit (Includes: refractories, insulation, blankets & rope)
NS	386-902-015	Beckett air adapter kit for NX burner

## Ultra Oil Jacket and Control Parts

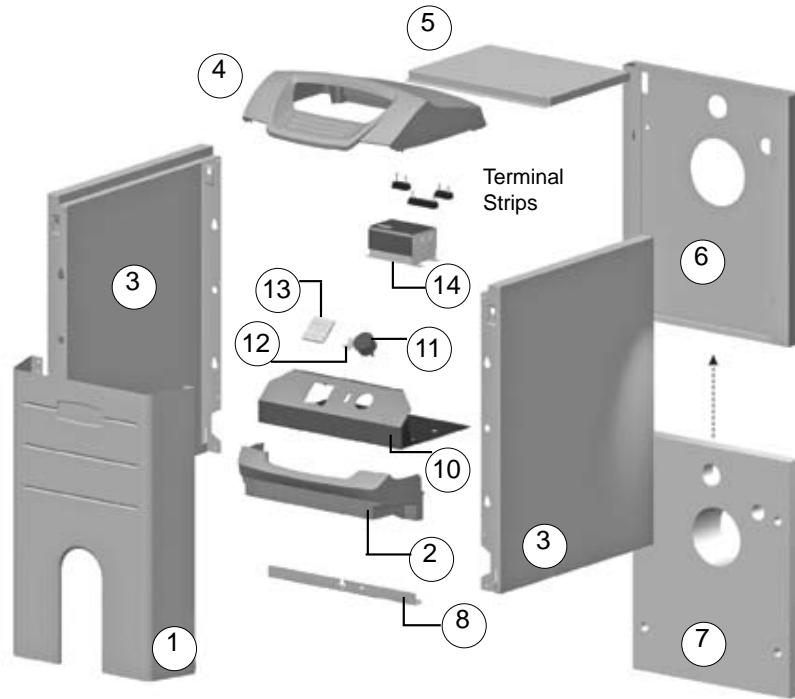


Fig. No.	Part No.	Description
1	386-902-005	Jacket Front Panel Assembly (Includes: sheet metal plastic striker)
2	595-000-009	Jacket Front Panel Plastic
3	426-900-002	Jacket Side Panel (left and right sides are the same) UO-3
	426-900-003	Jacket Side Panel (left and right sides are the same) UO-4
	426-900-004	Jacket Side Panel (left and right sides are the same) UO-5
4	595-000-011	Control Pod cover
5	426-900-005	Jacket top panel UO-3
	426-900-006	Jacket top panel UO-4
	426-900-007	Jacket top panel UO-5
6	426-900-001	Jacket rear panel (if required order insulation below)
7	591-222-181	Jacket Rear Panel Insulation
8	426-900-008	Jacket Crosstie
NS	591-222-178	Boiler insulation UO-3
	591-222-179	Boiler insulation UO-4
	591-222-180	Boiler insulation UO-5
10	386-902-008	Control tray assembly (Includes: tray, limit control, terminal strips ,P/T gauge, ON/OFF switch, wiring, labels)
11	510-218-052	Pressure/Temperature gauge
12	511-624-645	ON/OFF switch
13	595-000-010	Weil-McLain logo plate
14	386-902-006	High limit control Honeywell L7248L-1030
NS	386-902-011	Wire harness
NS	510-512-270	Barometric draft control
NS	511-724-291	Limit control sensor
NS	386-902-016	Kit strike and latch
NS	592-002-028	Touch-up paint 16oz putty

# WGO Series 3 Section Assembly

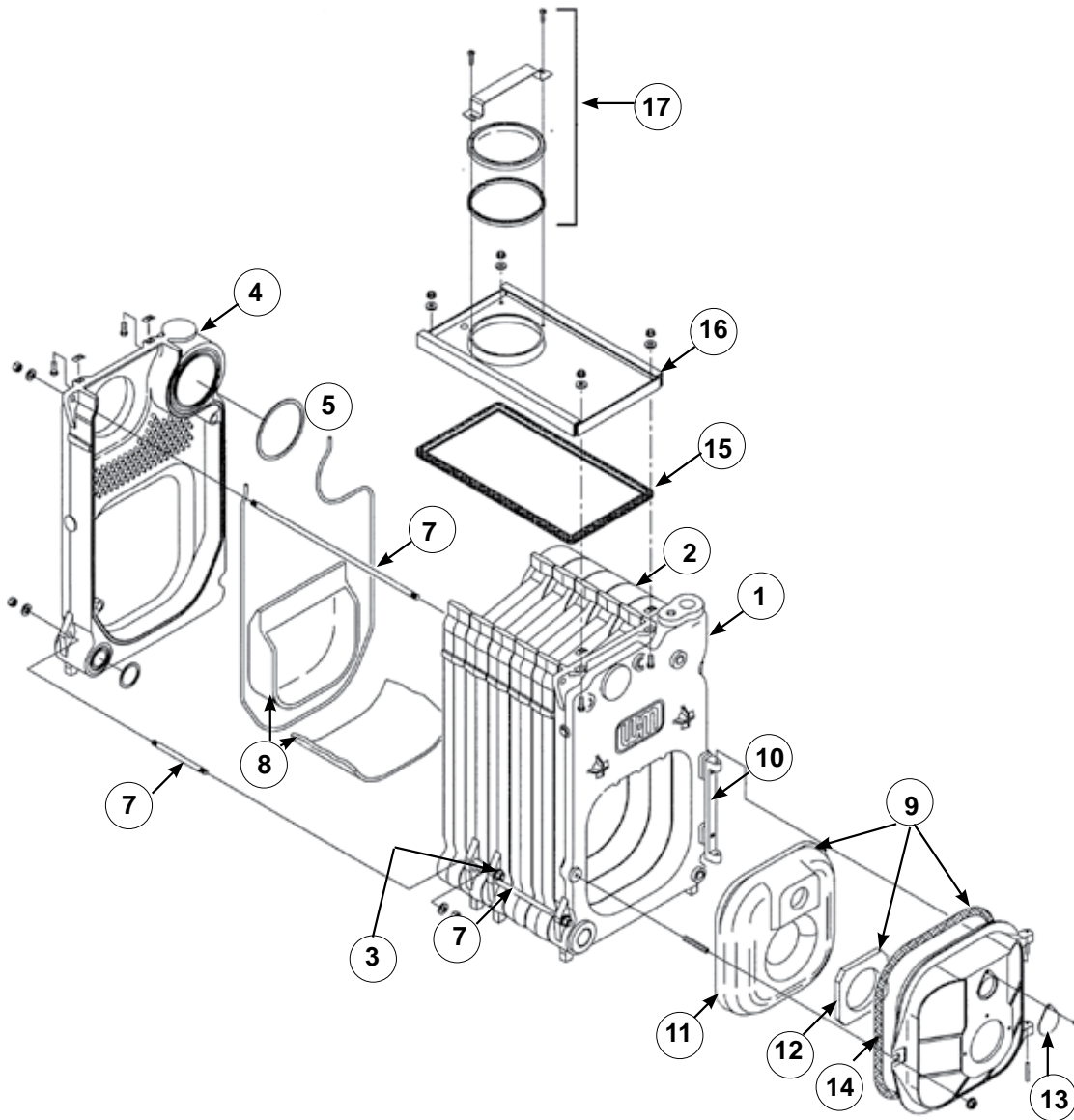


Fig. No.	Part No.	Description	Boiler Size								
			2	3	4	5	6	7	8	9	
1	316-700-270	Front Section, w/envelope, fits Series 1,2 & 3, #7012	1	1	1	1	1	1	1	1	
2	316-700-065	Intermediate section, narrow, #7015	1		2	3	4	3	4	5	
	316-700-075	Intermediate section, wide, #7010		1							
3	316-700-070	Intermediate section, w/draw rod lugs, #7016						2	2	2	
4	316-700-265	Back Section with 2 1/2" supply & 2 1/2" return, #7017	1	1	1	1	1	1	1	1	
5	386-700-851	Intermediate Section Replacement Kit (Includes: seals, rope and adhesive for one joint)	-	-	1	2	3	4	5	6	
	386-700-852	Rear Section Replacement Kit (Includes: seals, rope, adhesive and collector hood fasteners)	1	1	1	1	1	1	1	1	
	386-700-855	Front Section Replacement Kit (Includes: seals, rope, adhesive and collector hood fasteners.	1	1	1	1	1	1	1	1	

OIL



## WGO Series 3 Section Assembly

NS	386-700-650	Replacement section assembly complete with jacket	1									
	386-700-651			1								
	386-700-652				1							
	386-700-653					1						
	386-700-654						1					
NS	386-700-655	Replacement section assembly L/Jacket						1				
	386-700-656								1			
	386-700-657										1	
16	386-700-336	Collector Hood Kit	1									
	386-700-337			1	1							
	386-700-338					1						
	386-700-339						1					
	450-020-188							1				
	450-020-189									1		
	450-020-190											1
7	560-234-464	Tie Rod ½" x 5 ½"							2	2	2	
	560-234-491	Tie Rod ½" x 12 1/4"	4						2			
	560-234-492	Tie Rod ½" x 12"							2	2		
	560-234-470	Tie Rod ½" x 14"		4	4					2	2	
	560-234-495	Tie Rod ½" x 15"										2
	560-234-472	Tie Rod ½" x 17"				4						
	560-234-534	Tie Rod ½" x 20"					4					
	560-234-538	Tie Rod ½" x 23 ¼"							2			
	560-234-542	Tie Rod ½" x 26 3/8"								2		
	560-234-497	Tie Rod ½" x 29 ½"										2
NS	591-928-221	Nut, Regular HEX, ½" (2 required per rod)	8	8	8	8	8	8	16	16	16	
NS	562-248-668	Washer, medium split plain lock, ½" (1 required per rod)	4	4	4	4	4	4	8	8	8	
8	386-700-355	Combustion Chamber Kit (Includes: rear & front refractory, blanket & water glass)	1	1	1	1	1	1	1	1	1	
9	386-700-358	Burner Mounting Door Assembly (Includes: door, observation port, rope, insulation & pins)	1	1	1	1	1	1	1	1	1	
10	330-054-300	Door hinge, #7054	1	1	1	1	1	1	1	1	1	
11	386-700-359	Door refractory	1	1	1	1	1	1	1	1	1	
12	591-222-115	Door refractory blanket	1	1	1	1	1	1	1	1	1	
13	460-039-867	Observation port shutter	1	1	1	1	1	1	1	1	1	
14	590-735-104	Door seal rope, 55"	1	1	1	1	1	1	1	1	1	
15	590-735-109	Glass rope, 3/8" for collector hood, 7'	1	1	1	1	1	1	1	1	1	
17	386-700-344	Flue cap kit	1	1	1	1	1	1	1	1	1	
NS	591-706-214	Flue brush	1	1	1	1	1	1	1	1	1	
NS	592-800-007	6" top seal										
NS	592-800-010	3" bottom seal										

# WTGO Series 3 Section Assembly

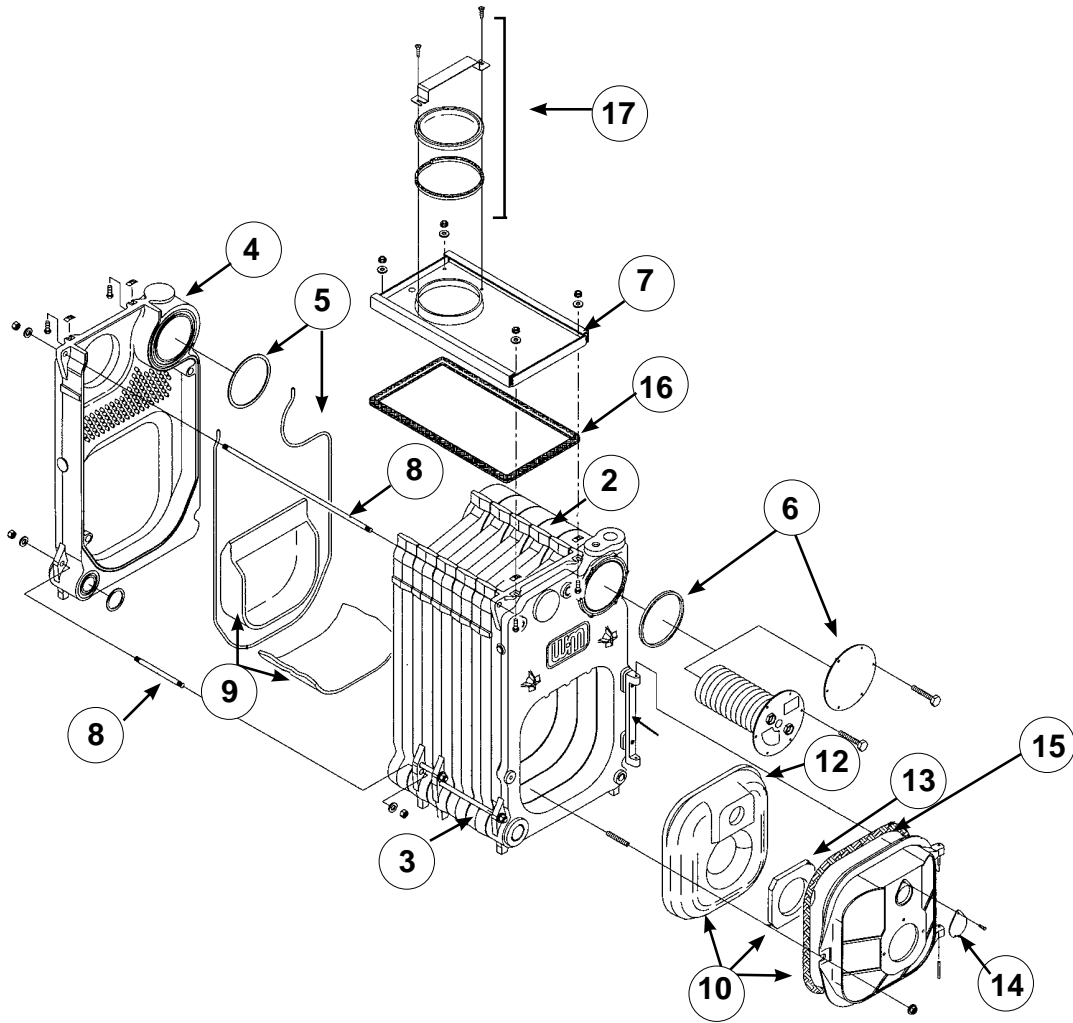


Fig. No.	Part No.	Description	Boiler Size									
			3L	3	4	5	6	7	8	9		
1	316-700-240	Front Section, with Envelope, fits Series 1,2 & 3 Cast # 7013	1									
2	316-700-065	Intermediate Section, narrow Cast # 7015			2	3	4	3	4	5		
	316-700-075	Intermediate Section, wide Cast # 7010		1								
3	316-700-070	Intermediate Section, w/draw rod lugs Cast # 7016						2	2	2		
4	316-700-265	Back section with 2 1/2" Supply & 2 1/2" return Cast #7017		1	1	1	1	1	1	1	1	
5	386-700-851	Intermediate Section Replacement Kit (Includes: seals, rope and adhesive for one joint)		-	1	2	3	4	5	6		
	386-700-852	Rear Section Replacement Kit (Includes: seals, rope, adhesive and collector hood fasteners for front & rear sections)		1	1	1	1	1	1	1	1	
	386-700-855	Rear Section Replacement Kit (Includes: seals, rope, adhesive and collector hood fasteners for front & rear sections)		1	1	1	1	1	1	1	1	
6	386-700-360	Heater Cover Plate Carton (plate, studs, seal)		1	1	1	1	1	1	1	1	
NS	386-700-658	Replacement section assembly complete with jacket		1								
	386-700-659				1							
	386-700-660					1						
	386-700-661						1					

OIL

## WTGO Series 3 Section Assembly

NS	386-700-662	Replacement section assembly L/Jacket						1			
	386-700-663							1			
	386-700-664								1		
1	316-700-211	Front Section, fits series 1, 2 & 3 Cast # 4013		1	1	1	1	1	1	1	
Fig. No.	Part No.	Description	Boiler Size								
			3L	3	4	5	6	7	8	9	
7	386-700-336	Collector hood kit (WTGO-3L)	1								
	386-700-337	Collector hood kit		1	1						
	386-700-338					1					
	386-700-339						1				
	450-020-188							1			
	450-020-189								1		
	450-020-190									1	
8	560-234-464		Tie Rod ½" x 5 ½"						2	2	2
	560-234-491	Tie Rod ½" x 12 1/4"	4					2			
	560-234-492	Tie Rod ½" x 12"						2	2		
	560-234-470	Tie Rod ½" x 14"		4	4				2	2	
	560-234-495	Tie Rod ½" x 15"								2	
	560-234-472	Tie Rod ½" x 17"				4					
	560-234-534	Tie Rod ½" x 20"					4				
	560-234-538	Tie Rod ½" x 23 ¼"						2			
	560-234-542	Tie rod ½" x 26 3/8"							2		
	560-234-497	Tie Rod ½" x 29 ½"								2	
NS	591-928-221	Nut, regular HEX, ½" (2 required per rod)	8	8	8	8	8	16	16	16	
NS	562-248-668	Washer, medium split plain lock, ½" (1 required per rod)	4	4	4	4	4	8	8	8	
9	386-700-355	Combustion Chamber Kit (Includes: rear & front refractory, blanket & water glass)		1	1	1	1	1	1	1	
10	386-700-358	Burner Mounting Door Assembly (Includes: door, observation port, rope, insulation & pins)		1	1	1	1	1	1	1	
11	330-054-300	Door Hinge Cast # 7054		1	1	1	1	1	1	1	
12	386-700-359	Door Refractory		1	1	1	1	1	1	1	
13	591-222-115	Door Refractory Blanket		1	1	1	1	1	1	1	
14	460-039-867	Observation Port Shutter		1	1	1	1	1	1	1	
15	590-735-104	Door Seal Rope, 55G		1	1	1	1	1	1	1	
16	590-735-109	Glass Rope, 3/8" for collector hood, 7H		1	1	1	1	1	1	1	
17	386-700-344	Flue Cap Kit (Includes: cap, handle, rope & screws)									
NS	591-706-214	Flue brush		1	1	1	1	1	1	1	
NS	592-800-007	Round 6" Tankless Heater Gasket									
NS	560-340-577	Tankless Heater Nut and Stud									
NS	592-800-007	Round 6" Section Seal Gasket									
NS	592-800-010	Round 3" Section Seal Gasket									

## WGO, WTGO Series 3 Trim

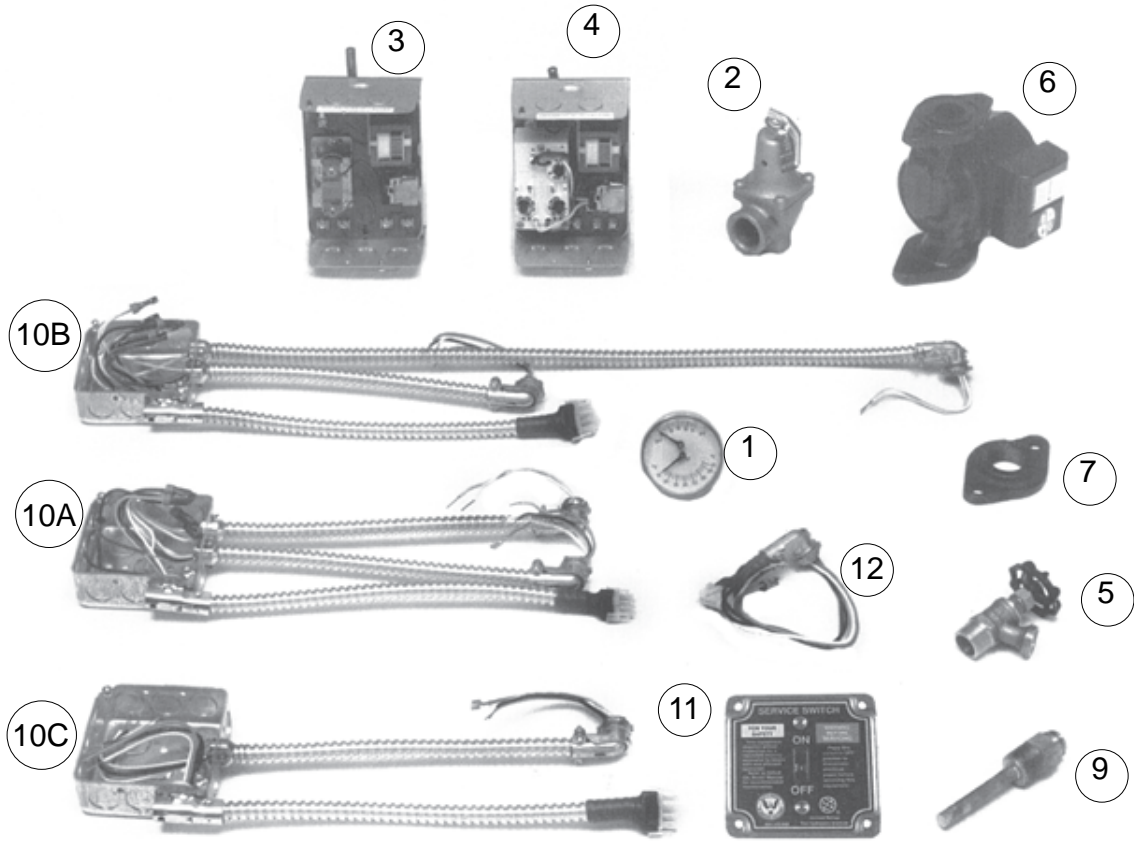


Fig. No.	Part No.	Description	Mfr.	Mfr.'s Part No.	Boiler	
					WGO	WTGO
1	380-000-000	Combination Pressure- Temperature Gauge Kit, 60° - 360°F 0-75 PSI, 3 1/8" Dia, 1/4" NPT, short shank, with 1/4" x 1/2" reducing bushing	Weil-McLain		X	X
2	511-546-920	ASME Pressure Relief Valve, set to relieve at 30 PSIG, 3/4" male inlet, 3/4" female outlet	Conbraco	M330	X	X
3,4	381-356-530	Electronic Aquastat, high limit or combination high/low limit, with LWCO, high limit 100° - 220°, low limit 110° - 200°, adj. differential 10° to 30°, circulator amps - 5.8 FA, anticipator, .2 amps	Hydrolevel	3150	X	X
9	592-300-026	3/4" N.P.T. Well, 4.25" long for Hydrolevel 3150	Hydrolevel		X	
9	592-300-027	3/4" N.P.T. Well, 6.25" long for Hydrolevel 3150	Hydrolevel			x

## WGO, WTGO Series 3 Trim

Fig. No.	Part No.	Description	Mfr.	Mfr.'s Part No.	Boiler	
					WGO	WTGO
5	511-210-423	Drain cock, 3/4", 1 1/2" shank	Conbraco	31-606-01	x	x
	511-246-392	Drain cock, 3/4"	Matco-Norca		x	x
		Drain cock, 3/4"	Nibco	#74	x	x
6	511-405-113	Circulator, 1/25HP, 120/60/1 Motor, 175 RPM, 0.75 Amps	Taco	W007F	x	x
	511-405-115	Circulator, 1/12HP, 120/60/1 Motor, 17525 RPM	Bell & Gossett	Series 100	x	x
7	381-354-526	Circulator Universal Hardware Kit 1 1/4" (Includes: (1) Flange, (1) Gasket, (2) Screws and (2) Nuts) for sizes 2, 3 & 4 only	Weil-McLain	-	x	x
	381-354-531	Circulator Universal Hardware Kit 1 1/2" (Includes: (1) Flange, (1) Gasket, (2) Screws and (2) Nuts) for sizes 5 & 6 only	Weil-McLain		x	x
10C	591-391-876	Junction box – wiring harness assembly (Series 1 A & B only)	Weil-McLain	-	x	x
10B	591-391-856	Junction box – wiring harness assembly (Series 1 only – Large Pump)	Weil-McLain	-	x	x
10A	591-391-836	Junction box – wiring harness assembly (Series 2 & 3 Packaged Only)	Weil-McLain	-	x	x
NS	591-391-837	Junction box – wiring harness assembly (Series 2 & 3 A & B Only)	Weil-McLain	-	x	x
11	591-391-854	Junction box cover assembly with service switch	Weil-McLain	-	x	x
12	591-391-850	Burner harness assembly	Weil-McLain	-	x	x
NS	426-700-268	Flue pipe brackets (Set of 2)	Weil-McLain	-	x	x
NS	590-921-599	Tankless heater – water boiler (Includes: heater, gasket, nuts and studs. For boiler size WTGO-3L)	Heat Transfer Products	WT-11		x
NS	590-921-621	Tankless heater – water boiler (Includes: heater, gasket, nuts and studs. For boiler sizes WTGO-3,4,5 & 6)	Heat Transfer Products	WT-14		x
NS	590-921-610	Tankless heater – water boiler (Includes: heater, gasket, nuts and studs. For boiler sizes WTGO-7,8 & 9)	Heat Transfer Products	WT-20		x
NS	510-512-267	Barometric damper 6"			x	x

# SGO Series 3 Section Assembly

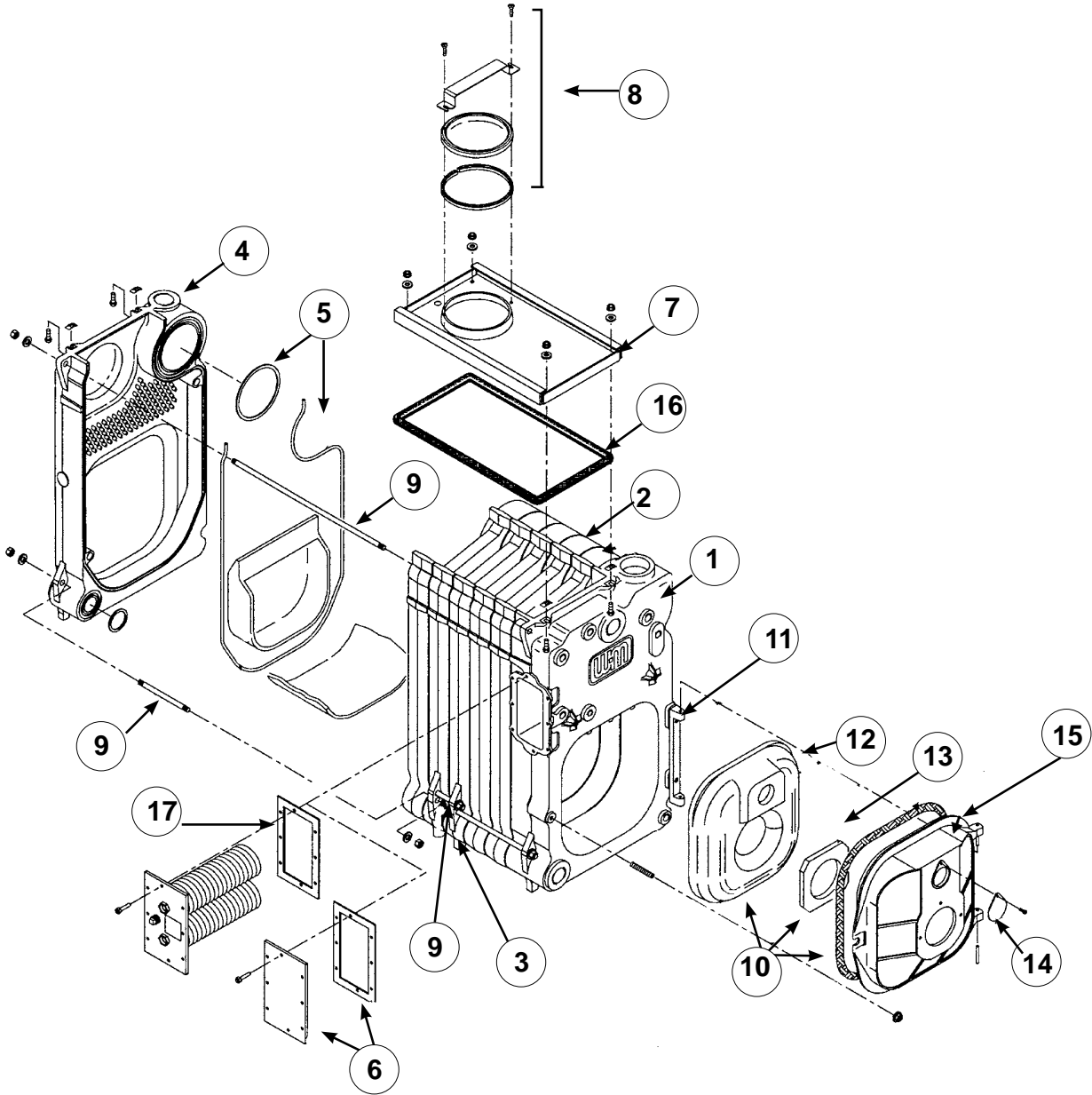


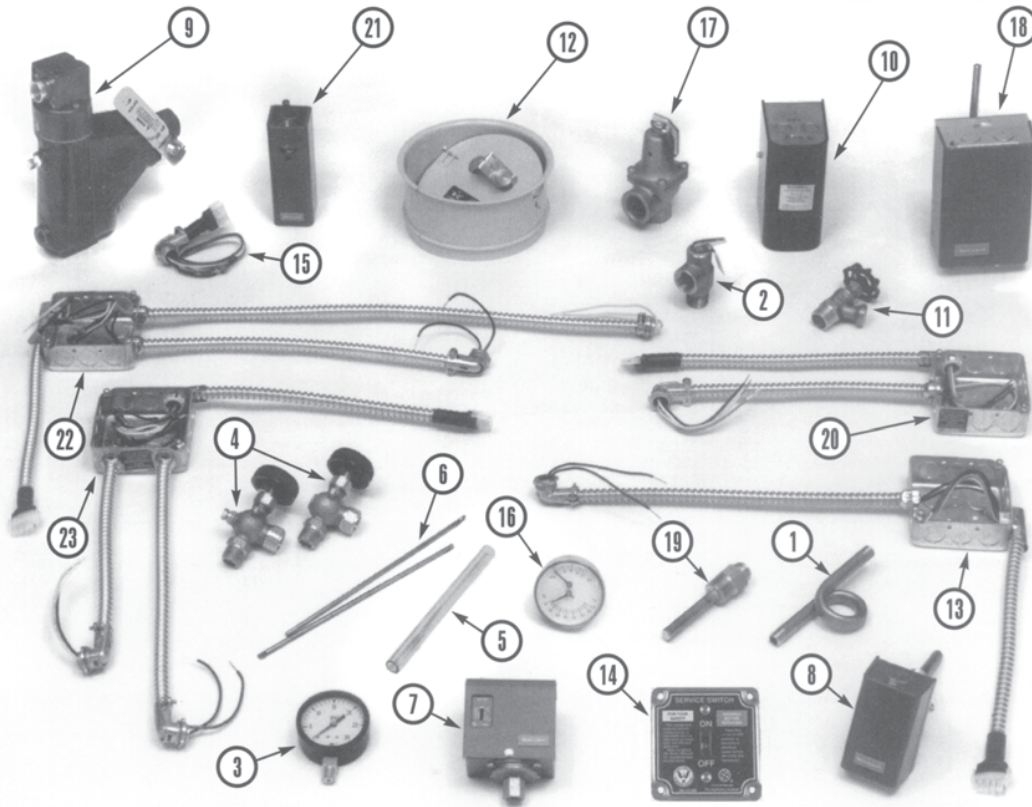
Fig. No.	Part No.	Description	Boiler Size						
			3	4	5	6	7	8	9
1	316-700-245	Front Section, wide, #7011	1	1	1	1	1	1	1
2	316-700-065	Intermediate Section, narrow, #7015	1	2	3	4	3	4	5
3	316-700-070	Intermediate Section, with draw rod lugs, #7016					2	2	2
4	316-700-265	Back Section with 2 1/2" Supply & 2 1/2" return, #7017	1	1	1	1	1	1	1
5	386-700-851	Intermediate Section Replacement Kit (Includes: seals, rope and adhesive for one joint)	-	1	2	3	4	5	6
	386-700-852	Rear Section Replacement Kit (Includes: seals, rope, adhesive and collector hood fasteners)	1	1	1	1	1	1	1
	386-700-855	Front Section Replacement Kit (Includes: seals, rope, adhesive and collector hood fasteners)	1	1	1	1	1	1	1

OIL

## SGO Series 3 Section Assembly

6	389-900-103	Heater cover plate	1	1	1	1	1	1	1
NS	386-700-665	Replacement section assembly complete with jacket	1						
	386-700-666			1					
	386-700-667				1				
	386-700-668					1			
NS	386-700-669	Replacement section assembly L/Jacket					1		
	386-700-670						1		
	386-700-671							1	
7	386-700-340	Collector hood kit Series 1 3	1						
	386-700-341			1					
	386-700-342				1				
	450-020-343					1			
	450-020-191						1		
	450-020-192							1	
	450-020-193								1
8	386-700-344	Flue cap kit Series 1 & 2 (Includes: cap, handle, rope & screws)	1	1	1	1	1	1	1
9	560-234-464	Tie Rod ½" x 5 ½"					2	2	2
	560-234-493	Tie Rod ½" x 10 ¾"	4						
	560-234-491	Tie Rod ½" x 12 ¼"					2		
	560-234-494	Tie Rod ½" x 13 ¾"					2	2	
	560-234-470	Tie Rod ½" x 14"						2	2
	560-234-532	Tie Rod ½" x 15 ¾"		4					
	560-234-496	Tie Rod ½" x 16 ½"							2
	560-234-475	Tie Rod ½" x 18 ½"			4				
	560-234-536	Tie Rod ½" x 21½"				4			
	560-234-540	Tie Rod ½" x 24 ¾"					2		
	560-234-544	Tie Rod ½" x 28"						2	
	560-234-546	Tie Rodd ½" x 31"							2
NS	591-928-221	Nut, regular HEX, ½" (2 required per rod)	8	8	8	8	8	8	16
NS	562-248-668	Washer, medium split plain lock, ½" (1 required per rod)	4	4	4	4	4	4	8
NS	386-700-355	Combustion Chamber Kit (Includes: rear & front refractory, blanket & water glass)	1	1	1	1	1	1	1
10	386-700-358	Burner Mounting Door Assembly (Includes: door, observation port, rope, insulation & pins)	1	1	1	1	1	1	1
11	330-054-300	Door hinge, #7054	1	1	1	1	1	1	1
12	386-700-359	Door Refractory	1	1	1	1	1	1	1
13	591-222-115	Door Refractory Blanket	1	1	1	1	1	1	1
14	460-039-867	Observation Port Shutter	1	1	1	1	1	1	1
15	590-735-104	Door Seal Rope, 55G	1	1	1	1	1	1	1
16	590-735-109	Glass rope, 3/8" for collector hood, 7H	1	1	1	1	1	1	1
NS	591-706-214	Flue Brush	1	1	1	1	1	1	1
17	590-317-579	Tankless Heater Gasket							
NS	560-340-577	Tankless Heater Nut and Stud							

# SGO Series 3 Trim



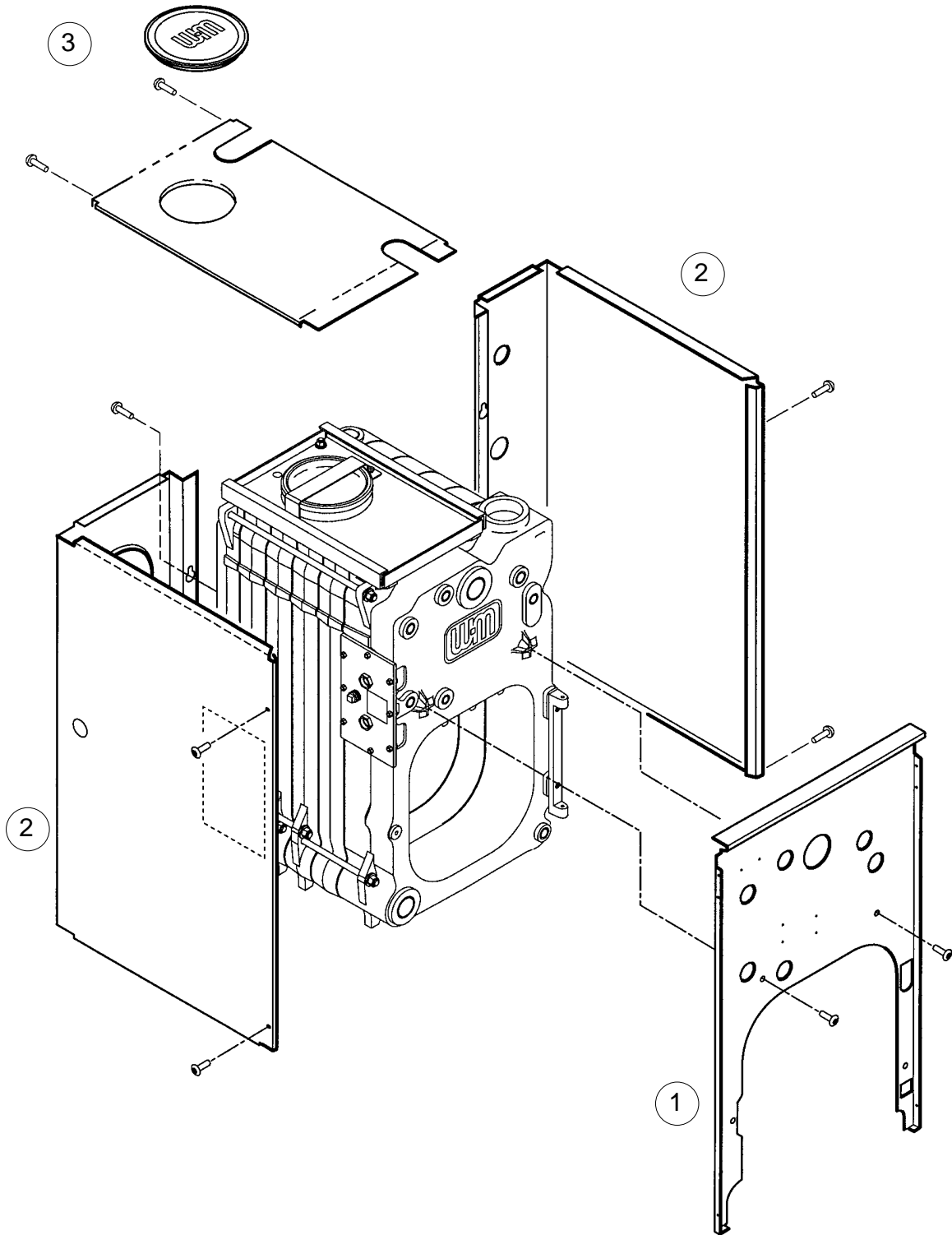
OIL



## SGO Series 3 Trim

Fig. No.	Part No.	Description	Mfr.	Mfr.'s Part No.
1	560-640-698	Syphon, 180° bend, ¼" brass pipe	-	-
2	511-548-023	Steam Relief Valve, set to relieve at 15 PSIG, ¾" N.P.T. inlet ¾" N.P.T. side outlet, 300 lbs./hr steam capacity	Watts	315
		Steam Relief Valve, set to relieve at 15 PSIG, ¾" N.P.T. male inlet ¾" N.P.T. female side outlet, 407 lbs./hr steam capacity	Conbraco	13-511-08
3	510-218-045	Steam Pressure Gauge, 0-30 PSIG	Amerek	PSOSK
4	510-218-135	Gauge Cock Set, B15 standard stem	Conbraco	20-205-03B15
5	383-600-001	Gauge Glass Kit (Includes: glass, gaskets and water washers)	Weil-McLain	-
6	563-334-597	Water gauge glass guard, 10 5/8" long	Weil-McLain	-
7	510-312-135	High Pressure Limit Control, operating range 0.5-9 PSI, additive differential 1-5 PSI	Honeywell	PA404A1009
		High Pressure Limit Control, operating range 0.5-15 PSI, additive differential 2-8 PSI	Johnson Controls	P-47AA-25D
8	510-312-209	High Limit Temperature Control, SPST, automatic recycle with ¾" well (used in tankless heater kit)	Honeywell	L4080B1311
		High Limit Temperature Control, SPST, automatic recycle with ¾" well (used in tankless heater kit)	White-Rodgers	11B83-16
9	511-114-495	Low water cutoff, float type	McDonnell-Miller	67W-2
10	511-114-507	Low water cutoff, probe type	McDonnell-Miller	PS801-120
		Low water cutoff, probe type	Hydrolevel	45-400
11	511-210-423	Drain cock, ¾", 1 ½" shank	Conbraco	31-606-01
	511-246.392	Drain cock, ¾"	Matco-Norca	
		Drain cock, ¾"	Nibco	#74
12	510-512-267	Balanced draft damper (barometric) 7"	Effikal	ESOC
13	591-391-848	Junction box wiring harness assembly (A & B only)	Weil-McLain	
14	591-391-854	Junction box cover assembly with service switch	Weil-McLain	
15	591-391-850	Burner harness assembly 4 pin plug	Weil-McLain	
18	510-311-030	High temperature limit control relay, 180-220°F full load on circulator control circuit, 7.4 amps @ 120 VAC, supplies 24 VAC to thermostat with .2 amps anticipator current		
20	591-391-837	SGO water harness with junction box	Weil-McLain	
21	510-311-024	Limit Control without well, spdt	Honeywell	L6006A1251
22	591-391-842	Junction box – wiring harness assembly (S-GO float low water cut-off only – Packaged only)	Weil-McLain	
23	591-391-844	Junction box – wiring harness assembly (S-GO probe low water cut-off only – Packaged only)	Weil-McLain	
NS	426-700-268	Flue pipe brackets (set of 2)	Weil-McLain	
NS	590-921-903	Tankless Heater- steam boiler (Includes: heater, gasket, nuts and studs. For SGO-3 thru 9)	Heat Transfer Products	35-S-29

# GOLD Oil Jackets



OIL

**WGO WTGO SGO  
UL and Non-UL Jacket Panels  
Series 3**

Boiler Model	1		2		3	
	Jacket panel with insulation, Front		Left side and rear		Right side and rear	Top panel with cap
	UL	Non-UL	UL	Non-UL	UL & Non-UL	UL & Non-UL
	Weil-McLain part number					
WGO-2	381-355-494	381-355-593	381-355-495	381-355-496	426-700-250	381-355-497
WGO-3			381-355-498	381-355-499	426-700-252	381-355-500
WGO-4			381-355-501	381-355-502	426-700-252	381-355-771
WGO-5			381-355-503	381-355-504	426-700-254	381-355-505
WGO-6			381-355-506	381-355-507	426-700-256	381-355-508
Weil-McLain part number						
WTGO-3L	381-355-509	381-355-594	381-355-510	381-355-511	426-700-250	381-355-772
WTGO-3	318-355-512	381-355-595	381-355-513	381-355-514	426-700-252	381-355-773
WTGO-4			381-355-515	381-355-516	426-700-252	381-355-774
WTGO-5			381-355-517	381-355-518	426-700-254	381-355-775
WTGO-6			381-355-519	381-355-520	426-700-256	381-355-776
Weil-McLain part number						
SGO-3	381-355-521	381-355-596	381-355-522	381-355-523	426-700-252	381-355-524
SGO-4			381-355-525	381-355-526	426-700-254	381-355-527
SGO-5			381-355-528	381-355-529	426-700-256	381-355-530
SGO-6			381-355-531	381-355-532	426-700-258	381-355-533
<b>Complete Jacket Cartons</b>						
	WGO		WTGO		SGO	
	UL	Non-UL	UL	Non-UL	UL	Non-UL
7 Section	416-700-170	416-700-171	416-700-176	416-700-177	416-700-182	416-700-183
8 Section	416-700-172	416-700-173	416-700-178	416-700-179	416-700-184	416-700-185
9 Section	416-700-174	416-700-175	416-700-180	416-700-181	416-700-186	416-700-187
<b>Common Jacket Parts For All Boilers</b>						
NS	Plastic Flue Cap Cover W/ Insulation		560-907-687			
NS	Jacket Hardware Kit		386-700-853			
NS	Touch Up Paint, Gold Spray Can		592-000-000			

*Note: All jacket panels come with appropriate labels  
To order a UL jacket front or left and rear panel, a boiler CP (Serial) number or W-M order number must be provided.  
First Serial number of UL 726 boiler is CP5446111.  
To order a complete jacket for size 2 thru 6, order items 1, 2, 3, and Jacket hardware kit.  
For boiler sizes 7, 8, or 9 can only order complete jacket carton as listed above.*

## 80 Boiler Assembly

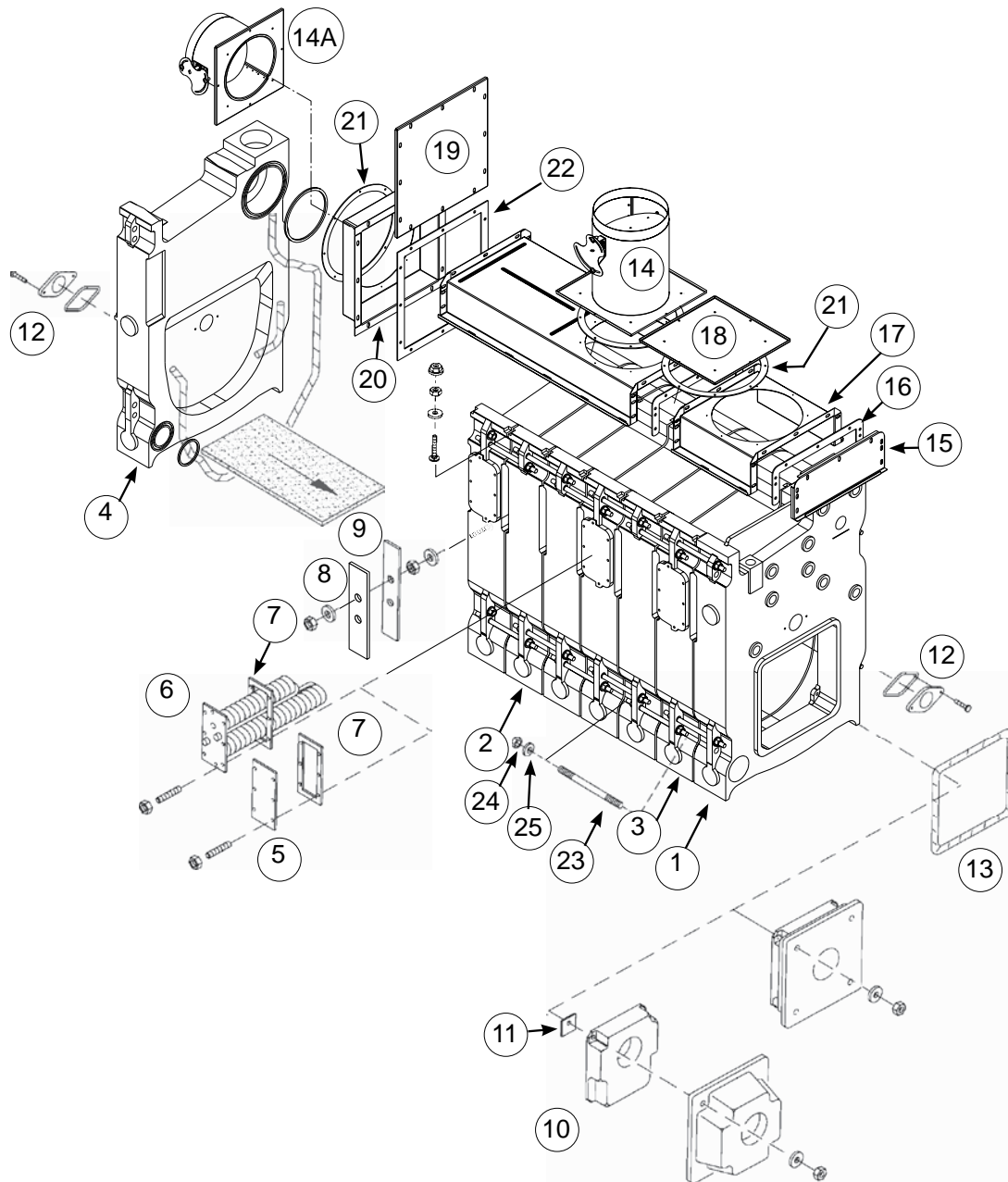


Fig. No.	Part No.	Description
1	315-700-100	Front Section 8013
2	315-700-120	Intermediate Section, regular 8015
	315-700-130	Intermediate Section with special side tappings 8017
	315-700-150	Intermediate Section, supply (steam boilers) 8014
3	315-700-140	Intermediate Section, tankless 8016
4	315-700-110	Back Section 8018
5	385-700-200	Heater Cover Plate carton (Includes: cover plate, gasket, studs, nuts)
6	590-921-917	Tankless Heater Carton (Includes: tankless heater, gasket, studs, nuts)
7	590-317-550	Heater Gasket
8	450-030-928	Cleanout Plate

## 80 Boiler

9	590-317-303	Cleanout Plate Gasket										
10	591-000-070	Burner Mounting Plate, front refractory 4 ½" burner opening										
	591-000-072	Burner Mounting Plate, front refractory 6 1/8" burner opening										
11	562-650-105	Refractory Retainer Clip										
12	385-600-099	Observation Port Assembly (Includes: observation port assembly, sealing rope, screws)										
13	590-735-254	Sealing rope ½" x 10' packaged										
NS	385-700-220	Combustion Chamber Kit (Includes: back refractory blanket, bottom refractory blanket, adhesive, sealing rope, sealing rope adhesive)										
14	425-800-090	Flue Damper Assembly, top flue boilers – 8" 380-680										
	425-800-091	Flue Damper Assembly, top flue boilers – 10" 780-1180										
	425-800-092	Flue Damper Assembly, top flue boilers – 12" 1280										
14A	425-800-096	Flue Damper Assembly, rear flue boilers – 8" 380-680										
	425-800-097	Flue Damper Assembly, rear flue boilers – 8" 780-1180										
	425-800-098	Flue Damper Assembly, rear flue boilers – 8" 1280										
NS	385-800-215	Flue Collector Hood Hardware Kit (Includes: flue collector hardware plus collector hood gasket kit, below)										
15	463-000-003	Flue Collector Hood end cap										
NS	385-800-218	Collector Hood Gasket Kit (Includes: (2) flue collector hood gasket, (3) circular collector hood gaskets, (1) rectangle collector hood gasket, flat-stitched sealing rope, double-faced tape)										
16	Included in gasket kit	Flue Collector Hood Gasket										
			Quantity Required to Make a Boiler									
			3	4	5	6	7	8	9	10	11	12
17	450-020-300	80 Collector Hood - A	1				1	1				
	450-020-301	80 Collector Hood - B		1								
	450-020-302	80 Collector Hood - C			1		1		2	1	1	
	450-020-303	80 Collector Hood - D				1		1		1		1
	450-020-304	80 Collector Hood - E									1	1
18	Included with flue damper assembly	Flue cap										
19		Flue cap rear										
20		Rear flue transition gasket										
21	Included in gasket kit	Circular collector hood gasket										
22	Included in gasket kit	Rectangular collector hood gasket										
NS	592-800-008	7.5" top elastomer seal										
NS	592-800-009	3.5" bottom elastomer seal										
23	560-134-495	5/8" x 11" draw rod (4 per joint)										
24	561-928-224	5/8" HEX nut (2 per draw rod)										
25	562-248-710	5/8" washer (1 per draw rod)										

## 80 Boiler Water Trim

Part No.	Description	Mfr.	Mfr.'s Part No.	Boiler Size
511-546-924	ASME Pressure Relief Valve, set to relieve at 30 PSIG, ¾" N.P.T. female inlet, bras, ¾" female side outlet, rated at 375,000 BTUH	Watts	M330	3, 4
	ASME Pressure Relief Valve, set to relieve at 30 PSIG, ¾" N.P.T. female inlet, bras, ¾" female side outlet, rated at 535,000 BTUH	Conbraco	10-408-05	3, 4
511-546-925	ASME Pressure Relief Valve, set to relieve at 30 PSIG, ¾" N.P.T. female inlet, bras, ¾" female side outlet, rated at 925,000 BTUH	Watts	740	5, 6, 7, 8
511-546-930	ASME Pressure Relief Valve, set to relieve at 30 PSIG, 1" N.P.T. female inlet, bras, 1 ¼" female side outlet, rated at 1,300,000 BTUH	Watts	740	9, 10, 11
511-546-935	ASME Pressure Relief Valve, set to relieve at 30 PSIG, 1 ¼" N.P.T. female inlet, bras, 1 ½" female side outlet, rated at 2,105,000 BTUH	Watts	740	12
510-218-099	Combination Pressure Temperature Gauge, 2 ½" Dia. Dial, 0-70 PSIG, 60-320°F short shank, back connection, ¼" N.P.T.			All
				All
510-312-065	Combination High Limit/Low Limit Control, High limit: 140-240°F Low limit: 140-240°F with 5-35°F adjustable differential: Low limit must be set 20°F below high limit	White-Rodgers	11C30-3	All
	Combination High Limit/Low Limit Control, High limit: 140-240°F Low limit: 140-240°F with 5-35°F adjustable differential: Low limit must be set 20°F below high limit	Honeywell	L4081A-1189	All
590-921-917	Tankless heater, (Includes: heater, gasket, nuts and studs)	Heat Controller	78-34	

## 80 Boiler Steam Trim

Part No.	Description	Mfr.	Mfr.'s Part No.	Boiler Size
511-548-020	Steam relief valve, set to relieve at 15 PSIG, ¾" N.P.T. inlet, ¾" side outlet, 446 lbs./hr. steam capacity	Watts	415	3, 4
	Steam relief valve, set to relive at 15 PSIG, ¾" N.P.T. inlet, ¾" side outlet, 446 lbs/hr steam capacity	Conbraco	13-211-08	
511-548-046	Steam relief valve, set to relive at 15 PSIG, 1" N.P.T. inlet, 1" side outlet, 643 lbs/hr steam capacity	Conbraco	13-202-08	5, 6
511-548-051	Steam relief valve, set to relive at 15 PSIG, 1 ¼" N.P.T. inlet, 1 ½" side outlet, 1200 lbs/hr steam capacity	Conbraco	13-213-08	7, 8, 9, 10
511-548-052	Steam relief valve, set to relive at 15 PSIG, 1 ½" N.P.T. inlet, 2" side outlet, 1900 lbs/hr steam capacity	Conbraco	13-214-08	11, 12
511-312-135	Steam pressure control, cut in 0-9 PSI, additive differential 0 to 5 PSO, ¼" N.P.T. connection	Honeywell	PA404A-1009	All
510-218-100	Combination pressure vacuum gauge, 0-30 PSIG, 0-30"Hg., 4 ½" dial, ¼" N.P.T. bottom connection	U.S. Gauge	C500-5549	All
510-218-145	Water gauge class cock set, ½" N.P.T. male inlet	Conbraco	21-205-03W	All
383-600-002	Gauge glass, 10 5/8" long x 5/8" diameter with gaskets	Weil-McLain		All
563-334-595	Gauge glass guards, 12 ½" long x 3/16" diameter	Weil-McLain		All
590-921-917	Tankless heater – Includes heater, gasket, nuts and studs	Heat Control- ler	78-34	

## 88 Series 1 & 2 Section Assembly

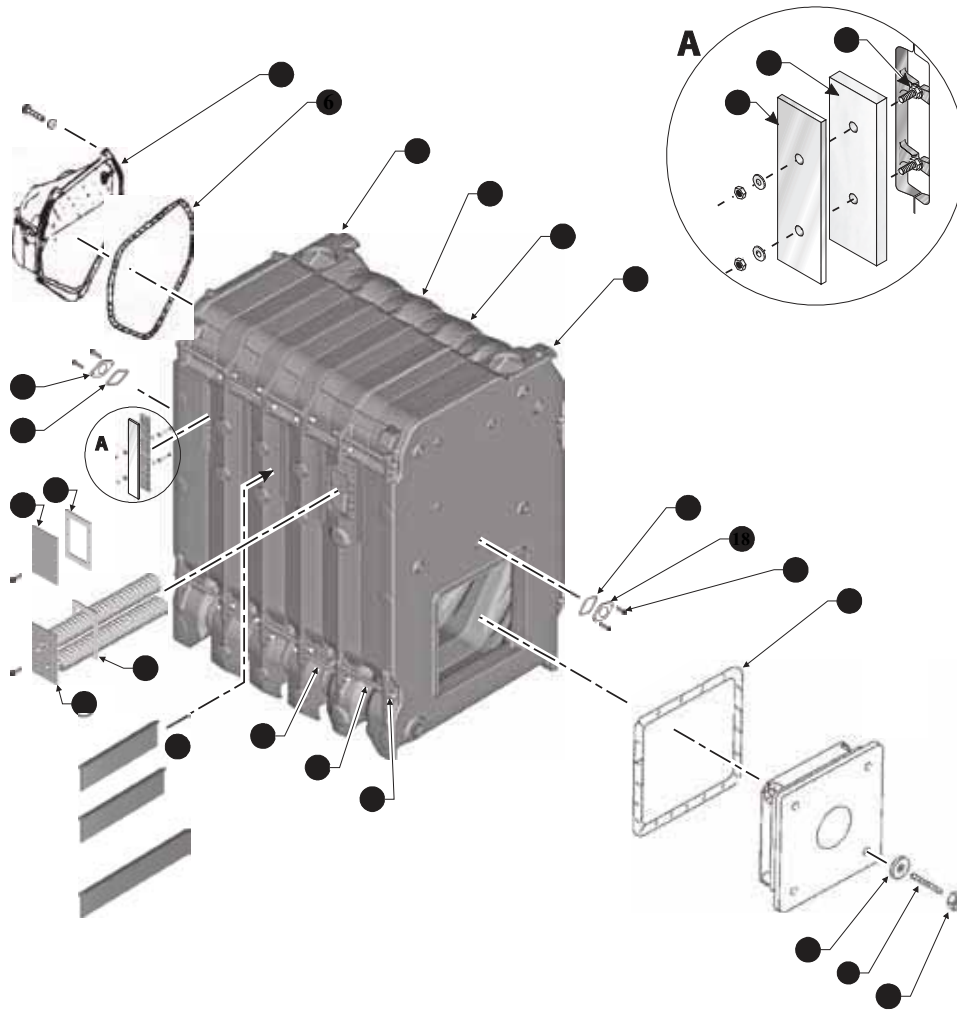


Fig. No.	Part. No.	Description	Notes	Series
1	316-301-210	Front Section – 8823 – 80 PSI	■	1 & 2
2	316-301-212	Regular Intermediate Section – 8825 – 80 PSI	■	1 & 2
3	316-301-214	Tankless Intermediate Section – 8826 – PSI	■	1 & 2
4	316-301-211	Back Section – 8828 – 80 PSI	■	1 & 2
	416-300-005	Box Jacket Standard Size-32, 50 PSI		1
	416-300-006	Box Jacket Standard Size-40, 50 PSI		1
	416-300-007	Box Jacket Standard Size-48, 50 PSI		1
	416-300-008	Jacket Carton E-24		1
	416-300-009	Jacket Carton E-48		1
	316-301-213	Supply Intermediate Section with 5" N.P.T. supply outlet tapping – 8824 – 80 PSI	■	1 & 2
	386-300-213	86/88 Section Replacement Kit (Includes: rope, seals, sealant, rope adhesive)		1 & 2
11	560-134-495	5/8" x 11" Draw rod without nut (4 per joint) Int. to Int.		1
10	560-134-505	5/8" x 13" Draw rod without nut (4 per joint), (Ft. Or Bk. To Int. S1) All Series 2		1 & 2



## 88 Series 1 & 2 Section Assembly

27	561-928-224	5/8" – 11 nut HEX (2 per draw rod)		1 & 2
	562-248-710	5/8" washer (1 per draw rod)		1 & 2
6	590-735-140	½" Dia. Sealing rope type HD-500 (13' per joint, 7" for burner plate, 6' for collar)		1 & 2
	590-735-145	1/8" Dia. Wick (1 for damper locking plate) Type FS 125		1 & 2
17	590-735-150	3/8" Dia. Sealing rope (1' per observation port) Type MD-375		1 & 2
	591-638-851	Silicone Sealant RTV700, 3 oz.		1 & 2
	591-641-850	Construction adhesive for Sealing Rope, 11 oz.		1 & 2
	591-706-214	Flue Brush, 123 DMG	■	1 & 2
	592-800-005	Square Cut Seal, 9" (1 per joint)		1 & 2
	592-800-007	Square Cut Seal, 6" (1 per joint)		1 & 2
12	340-004-606	Flue Collar Assembly, 10" (Includes: flue collar, damper, damper quadrant, locking plate, swivel and brackets) (488-688)		1 & 2
	340-004-607	Flue Collar Assembly, 12" (Includes: flue collar, damper, damper quadrant, locking plate, swivel and brackets) (788-888)		1 & 2
	340-004-608	Flue Collar Assembly 14" (Includes: flue collar, damper, damper quadrant, locking plate, swivel and brackets) (988-1388)		1 & 2
	340-004-309	Flue Collar Assembly, 16" (Includes: flue collar, damper, damper quadrant, locking plate, swivel and brackets) (1488-1688)		1 & 2
	340-004-612	Flue Collar Assembly, 18" (Includes: flue collar, damper, damper quadrant, locking plate, swivel and brackets) (1788-1888)		1 & 2
	330-056-634	Quadrant for flue collar		1 & 2
	460-003-646	Damper blade for flue collar		1 & 2
	563-530-784	Damper locking plate for flue collar		1 & 2
17	385-600-099	Observation port assembly (Includes: frame, sealing rope, plugs and sight glass)		1 & 2
18				
22	590-317-580	Washer for sight glass, 2 1/8" x 1 ¼" x 1/8"		1 & 2
	591-419-199	Sight glass, 2" round x 1/8"		1 & 2
9	450-030-934	Cover plate for heater opening (Rectangular)		1 & 2
8	590-317-579	Gasket for Heater Cover Plate (Rectangular)		1 & 2
14	450-030-965	Cleanout plate		2
15	590-317-305	Woven fiberglass gasket for cleanout plate		2
30	416-400-131	2-flueway kit (includes 2 sets of bars)	■	2
29	Available Locally	Cleanout bolts and nuts, (2 per cleanout) ¼" 20 1.75 zinc plated, carriage bolts, ¼" plain washer, ¼" – 20 HEX nut		1 & 2
	386-300-211	88 Combustion chamber kit	■	1 & 2
	560-340-577	3/8" x 1 1/8" stud & nut for heater cover plate		1 & 2
	591-632-612	Waterglass (4oz. bottle)		1 & 2
	562-248-744	Grommet Jacket Observation Port		2

■ Indicated current TPS R/C Product

## 88 Series 1 & 2 Water Trim



Fig. No.	Part No.	Description	Mfr.	Mfr's Part No.	Boiler Size	Series
1	511-546-930	ASME Pressure Relief Valve, Set to Relieve at 30 PSIG, 1" Inlet x 1 1/4" Brass, Side Outlet	Watts	7404	5	1 & 2
	511-546-935	ASME Pressure Relief Valve, Set to Relieve at 30 PSIG, 1-1/4" Inlet x 1 1/2" Brass Side Outlet	Watts	740	6 – 8	1 & 2
	511-546-940	ASME Pressure Relief Valve, Set to Relieve at 30 PSIG, 1-1/2" Inlet x 2" Brass, Side Outlet	Watts	740	9 – 11	1 & 2
	511-546-945	ASME Pressure Relief Valve, Set to Relieve at 30 PSIG, 2" Inlet x 2-1/2" Brass, Side Outlet	Watts	740	12 – 18	1 & 2
2	510-312-065	Combination High Limit/Low Limit Control with Well HIGH LIMIT: 130-240° F LOW LIMIT: 115-240° F	Honeywell	L4081A1189	All Sizes	1
			White-Rogers	11C30-3	All Sizes	1
4	510-312-090	Combination operating limit and manual reset high limit	Carlin	90000CEL	All Sizes	2
3	510-218-065	Combination pressure-temperature gauge, 0-55 psig, 60-260° F, back connection, 1/2"npt 2 1/2" shank	ENFM	4104-3.25	All Sizes	1
NS			Amekai	OS234-JDTA-003	All Sizes	1
NS	510-218-080	Combination pressure-temperature gauge, 0-200 psig, 60-260° F, back connection, 1/2"npt 3 1/4" shank	ENFM	4104	All Sizes	2
NS	510-218-099	Combination pressure-temperature gauge, 0-55 psig, 60-260° F, back connection, 1/2"npt 2 1/2" shank	Amekai	OS234-JDTW-003	All Sizes	1
	590-921-909	Tankless Heater – (Includes: heater, gasket, nuts and studs)	Heat Controller	820		1 & 2

## 88 Series 1 & 2 Steam Trim

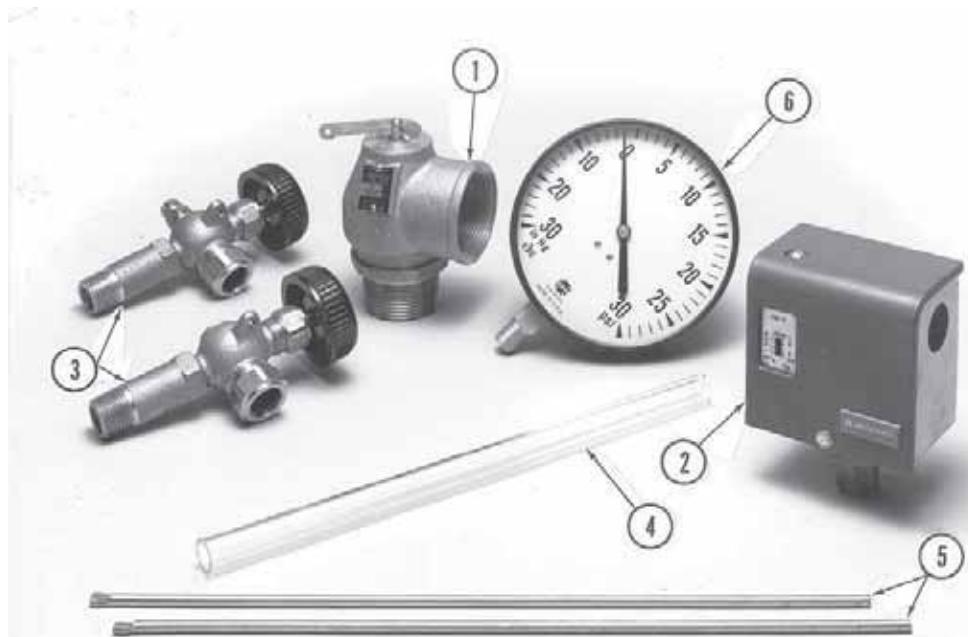


Fig. No.	Part No.	Description	Mfr.	Mfr.'s Part No.	Boiler Size
1	511-548-046	Steam Safety Valve, 1" N.P.T. Inlet, Side Outlet, 643 lbs/hr. Capacity, Brass	Conbraco	13-202-08	11
1	511-548-051	Steam Safety Valve, 1 1/4" N.P.T. Inlet, Side Outlet, 1,200 lbs/hr. Capacity, Brass	Conbraco	13-213-08	4 – 512 – 14
1	511-548-052	Steam Safety Valve, 1 1/2 " N.P.T. Inlet, Side Outlet, 1,900 lbs/hr. Capacity Brass	Conbraco	13-214-08	6 – 7
1	511-548-056	Steam Safety Valve, 2" N.P.T. Inlet, Side Outlet, 2,500 lbs/hr. Capacity Brass (2 Required on Sizes 15 – 18)	Conbraco	13-205-08	(1 required) 8-14 (2 required) 15-18
2	510-312-135	High Pressure Limit, Operating Range: 0-9 PSIG Differential: 0-5 PSIG	Honeywell	PA404A-1009	(2 required) All Sizes
2	510-312-135	High Pressure Limit, Operating Range: 0-9 PSIG Differential: 0-5 PSIG	Johnson Controls	P47EA-3D	(2 required) All Sizes
3	510-218-145	Water Gauge Glass Cocks, Set of 2 1/2" N.P.T. Male Inlet	Conbraco	21-205-03-W	All Sizes
4	383-600-002	Water Gauge Glass Kit (Includes: glass, gaskets, and brass washers)	Weil-McLain		All Sizes
5	563-334-595	Gauge Glass Guard 12 1/2" Long x 3/16" Dia	Weil-McLain		(2 required) All Sizes
6	510-218-100	Combination Pressure-Vacuum Gauge, 0-30 PSIG, 0-30" High 4 1/2" Dial, Bottom Connection, 1/4" N.P.T.	Ametek	USC500-5549	All Sizes
	590-921-909	Tankless Heater, (Includes: heater, gasket, nuts and studs)	Heat Controller	820	

Note: Boiler Sizes 12 – 14 Require (2) Steam Safety Valves - (1) 511-548-051 and (1) 511-548-056

## 94 Section Assembly

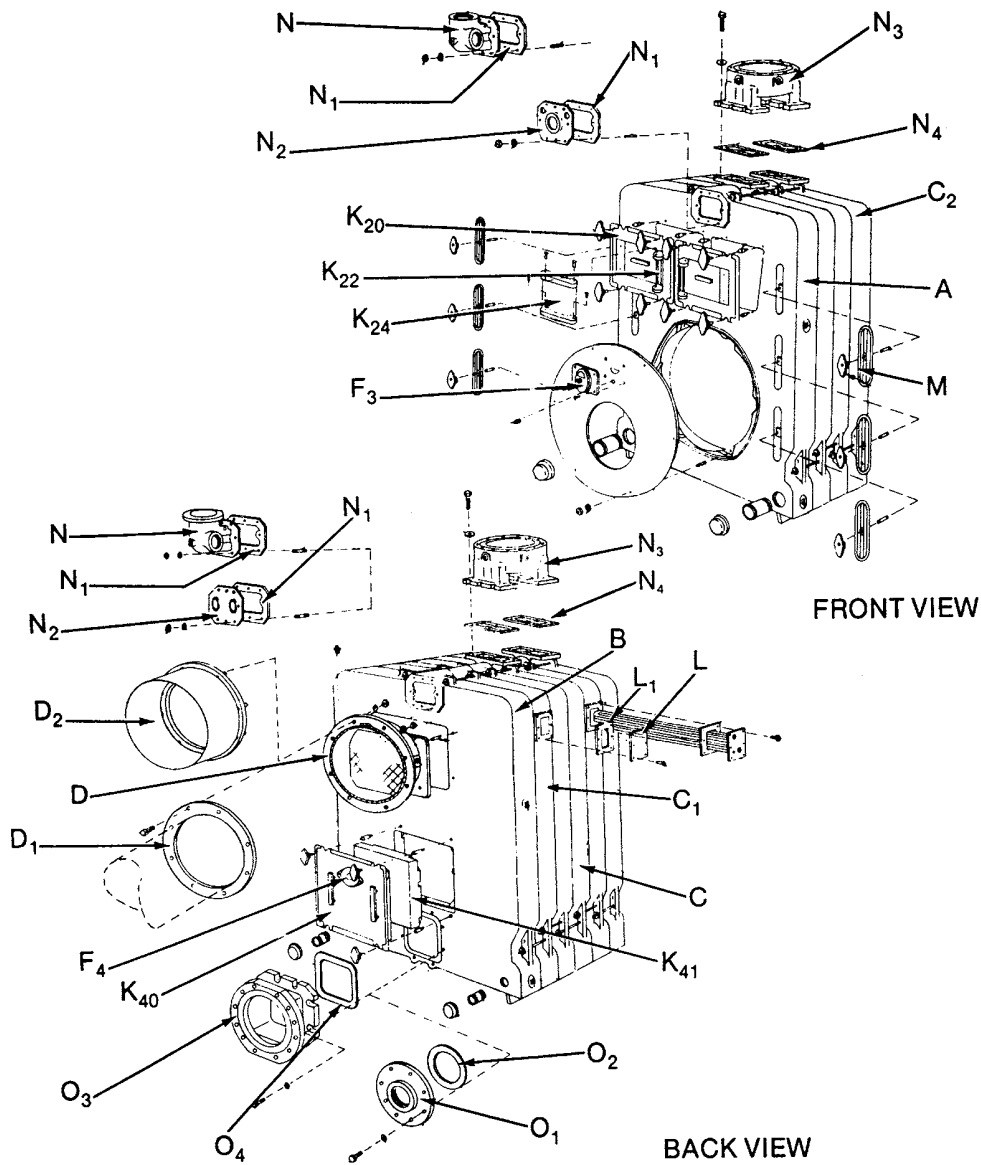


Fig. No.	Part No.	Description	Series No.
A	317-802-500	Front section 9217	1, 2
	318-102-505	Front section 9517	3
	317-802-510	Front section 9217, 80 PSI	1, 2
	318-102-508	Front section 9217, 80 PSI	3
B	318-102-480	Back section, water & steam with 8" return flange 94118	1, 2
	318-102-515	Back section, water & steam with 8" return flange 9518	3
	318-102-518	Back section, water & steam with /8" return flange 9518, 80 PSI	3
	318-102-482	Back section water only for 10" return flange adapter 94218	1, 2
	318-102-525	Back section water only for 10" return flange adapter 95218	3
	318-102-528	Back section water only for 10" return flange adapter, 95218, 80 PSI	3

## 94 Section Assembly

C	318-102-538	Regular intermediate section , 9515, 80 PSI	3
	318-102-440	Regular intermediate section 9415	1, 2
	318-102-535	Regular intermediate section 9515	3
C1	318-102-450	Tankless intermediate section 9416	3
	318-102-545	Tankless intermediate section 9516	1, 2
	318-102-548	Tankless intermediate section, 9516, 80 PSI	3
C2	318-102-448	Supply intermediate section 9419	1, 2
	318-102-575	Supply intermediate section 9519	3
	318-102-578	Supply intermediate section 9519, 80 PSI	3
	388-135-020	90-92-94 Split nipple replacement kit (1 per joint)	1, 2
	388-135-010	Section assembly kit (1 per joint)	3
	592-800-007	6" Dia. Bottom elastomer seal (2 per joint)	3
	592-800-005	9" Dia. Bottom elastomer seal (1 per joint)	3
	560-134-490	5/8" x 10" Draw rod w/o nut, intermediate to intermediate (4 per joint)	1, 2, 3
	560-134-795	5/8" x 11" Draw rod w/o nut, front or back to intermediate (4 per joint)	1, 2, 3
	561-928-224	5/8" Nut (2 per draw rod)	1, 2, 3
	562-248-710	5/8" Washer (1 per draw rod)	1, 2, 3
	591-706-185	Flue brush	1, 2, 3
	591-706-222	Flue brush rod, 44"	1, 2, 3
	591-706-223	Flue brush rod, 62"	1, 2, 3
	591-706-240	Flue brush spacer, 48"	1, 2, 3
	591-706-226	Flue brush handle, flexible wire	1, 2, 3
	590-735-145	1/8" Dia. Sealing wick, (3' for front observation port, 1' for relief plate stud, 1' for damper locking plate) – TP500 Type FS 125	1, 2, 3
	590-735-150	3/8" Dia. Sealing rope, (6' for rear access shield, 2' for rear observation port, 2' for rear observation port, 12' for draft hood counter flange, 3' per cleanout plate)- TP1000 MD375	1, 2, 3
	590-735-140	1/2" Dia. Sealing rope (9' per burner plate, 6' for draft hood collar, 6' for rear access door, 6' for clean out door)- TP500 Type HD-500	1, 2, 3
	590-735-154	5/8" Dia. Silicone coated sealing rope for section perimeter, 22' cut	1, 2, 3
	590-735-153	5/8" Dia. Sealing rope- TP500 Tyle XL-625-60-5, 12' cut length	1, 2, 3
	591-641-850	Construction adhesive for sealing rope (11 oz. tube)	1, 2, 3
	591-638-855	Sealant, Loctite AVV, 50 cc Bottle	1, 2
	591-638-851	Silicone sealant (RTV 108 or equivalent) (3 oz. tube)	3
D	340-004-616	Flue collar assembly, 20" (Includes: flue collar with flange, damper, damper quadrant, locking plate, swivel, bracket, counter-flange and rope)	1, 2, 3
	330-056-634	Quadrant flue collar 8474	1, 2, 3
	460-003-640	Damper blade for flue collar	1, 2, 3
	563-530-784	Damper locking plate	1, 2, 3
	560-340-570	Stud 1/2" x 4 1/4" DAP 104A	1, 2, 3
D1	460-030-930	Counterflange for 20" flue	1, 2, 3
D2	460-030-936	Flue adapter, 22" steel	1, 2, 3
F	340-004-620	Front observation port assembly #462 (Includes: bottom, intermediate and top observation port plates, spring, rope and sight glass)	1, 2, 3
F	385-600-099	Back observation port assembly (Includes: frame, rope, gasket, plugs and sight glass)	1, 2, 3

## 94 Section Assembly

	591-419-199	Back sight glass	1, 2, 3
	590-317-580	Washer for back sight glass	1, 2, 3
K20	340-004-740	Cleanout door assembly #474 (Includes: door, hinge, hinge plate, handle, liner and accessories)	1, 2, 3
	340-004-635	Wing nut assembly with 3/8" x 1 1/4" stud (Threads into mounting stud) 9256	1, 2, 3
	560-340-560	Mounting stud 92P112A	1, 2, 3
K22	330060-500	Hinge for Cleanout door 9254	1, 2, 3
K24	330-060-400	Hinge plate for cleanout door 9253	1, 2, 3
	590-524-867	Liner for cleanout door	1, 2, 3
K40	340-004-700	Back access door assembly (Includes: door liner, handle and rope)	
	387-834-906	Refractory liner for back access door	
	560-340-560	Mounting stud 92S112A	
K41	387-834-906	Refractory liner for back access door	1, 2, 3
L	387-800-500	Heater cover plate carton (Includes: door liner, handle and rope)	1, 2, 3
L1	590-317-544	Tankless gasket	1, 2, 3
M	330-061-000	Cleanout plate 9254	1, 2, 3
	330-060-700	Wing nut cleanout with 1/2" tapping 9256	1, 2, 3
	560-340-570	Stud 1/2" x 4 1/4" DAP 104A, 92P112A	1, 2, 3
N	330-060-200	6" Supply elbow, water only tapped, 9246	1, 2, 3
	330-060-300	8" Supply elbow, water only tapped, 9248A	1, 2, 3
	330-060-310	8" Supply elbow, water only tapped, 92481-S	1, 2, 3
N1	590-317-546	Gasket for supply outlet (2 required)	1, 2, 3
	560-340-579	Stud 5/8" x 3" 92P151A	1, 2, 3
N2	330-062-005	Cover plate for supply outlet, 2-2", 9440	3
	330-059-910	Cover plate for supply outlet, 4", 92140	1, 2, 3
N3	330-060-210	Top supply outlet, 10" flanged, 92410	1, 2, 3
N4	590-317-625	Gasket for top supply outlet, 10" (2 required per fitting)	1, 2, 3
O1	388-135-300	Return flange reducer, 8" to 6", 086	1, 2, 3
O2	590-317-572	Gasket for return flange reducer, round	1, 2, 3
O3	330-062-001	Return flange adapter, 10", 9410	1, 2, 3
O4	590-317-620	Gasket for return flange adapter, rectangular	1, 2, 3

GAS/OIL

## 94 Water Trim



Fig. No.	Part No.	Description	Mfr.	Mfr.'s Part No.	Boiler Size
1	511-546-930	ASME Pressure Relief Valve, 1" Inlet x 1-1/4" Side Outlet, Brass, 30 PSIG	Watts	740	21-23
1	511-546-935	ASME Pressure Relief Valve, 1 1/4" Inlet x 1 1/2" Side Outlet, Brass 30 PSIG	Watts	740	8, 24-25
1	511-546-940	ASME Pressure Relief Valve, 1 1/2" Inlet X 2" Side Outlet, Brass, 30 PSIG	Watts	740	9-10(1-required) 20 (2-required)
1	511-546-945	ASME Pressure Relief Valve, 2" Inlet x 2 1/2" Side Outlet, Brass, 30 PSIG	Watts	740	11-19 21-25
3	510-218-065	Combination Pressure-Temperature Gauge 0-50 PSIG 60-260°F Back Connection, 1/2" N.P.T.	ENF	#4104-3.25	All
3	510-218-065	Combination Pressure-Temperature Gauge 0-50 PSIG 60-260°F Back Connection, 1/2" N.P.T.	Ametek	PT 1088	All
2	510-312-065	Combination High Limit/Low Limit Control High Limit: 130-240°F Low Limit: 115-240°F	Honeywell	L4081A1189 with Well	All
2	510-312-065	Combination High Limit/Low Limit Control High Limit: 130-240°F Low Limit: 115-240°F	White-Rodgers	11C30-3	All
	590-921-910	Tankless Heater, (Includes: heater, gasket, nuts and studs)	Heat Controller	92-K-34	

## 94 Steam Trim

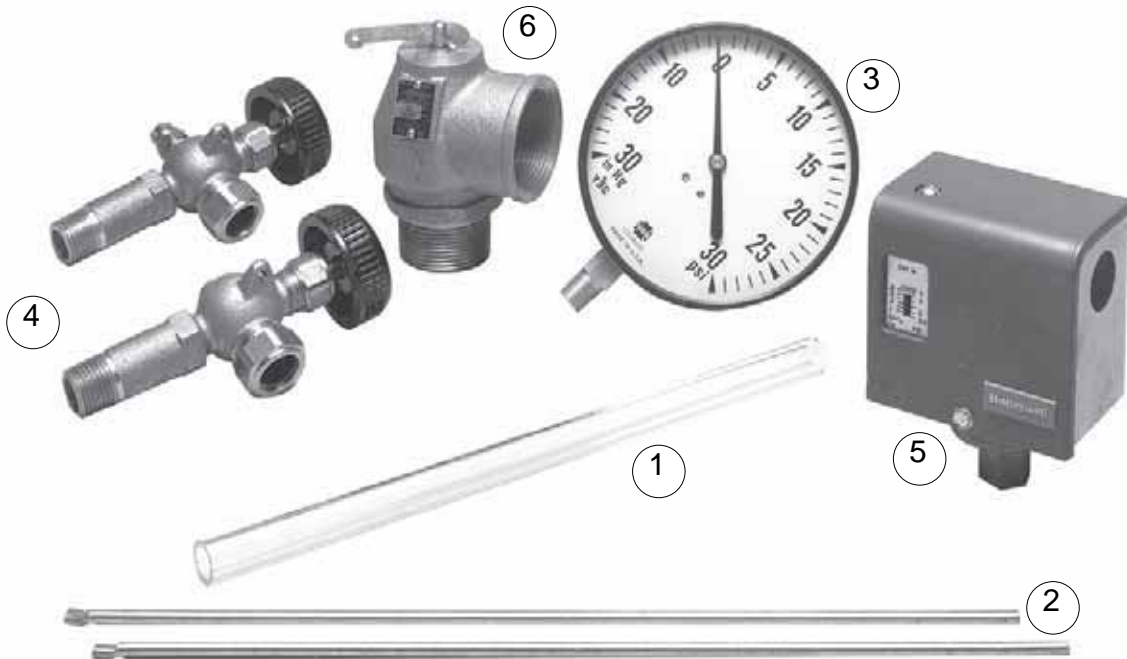


Fig. No.	Part No.	Description	Mfr.	Mfr.'s Part No.	Boiler Size
1	383-600-002	Gauge Glass Kit (Includes: glass, gaskets and brass washers)	Weil-McLain		All
2	563-334-595	Gauge Glass Guard 3/16" Dia. x 12 1/2" Long	Weil-McLain		All (2 per Boiler)
3	510-218-100	Combination Pressure-Vacuum Gauge 0-30 PSIG 0-30"Hg. 4 1/2" Dial Bottom Connection N.P.T.	Ametek	ASC500-5549	All
4	510-218-145	Water gauge glass cosk set - 1/2" NPT male inlet - long stem	Conbraco	21-205-03W	All
5	510-312-135	High Pressure Limit Operating Range: 0-9 PSIG Differential: 0-5 PSIG	Honeywell	PA404A1009	All (2-Required)
5	510-312-135	High Pressure Limit Operating Range: 0-9 PSIG Differential: 0-5 PSIG	Johnson	P47EA-3D	All (2-Required)
6	511-548-051	Steam Safety Valve 1 1/4" Inlet Set to Relieve at 15 PSIG Side Outlet 1,200 lbs./hr. Capacity	Conbraco	13-213-08	See Table Below
6	511-548-052	Steam Safety Valve 1 1/2" Inlet Set to Relieve at 15 PSIG Side Outlet 1,900 lbs./hr. Capacity	Conbraco	13-214-08	See Table Below
6	511-548-056	Steam Safety Valve 2" Inlet Set to Relieve at 15 PSIG Side Outlet 2,500 lbs./hr. Capacity	Conbraco	13-205-08	See Table Below
6	511-548-057	Steam Safety Valve 2 1/2" Inlet Set to Relieve at 15 PSIG Side Outlet 3,529 lbs./hr. Capacity	Conbraco	13-206-08	See Table Below
	590-921-910	Tankless Heater, (Includes: heater, gasket, nuts and studs)	Heat Controller	92-K-34	

**Quantity per 94 Series 3 boiler size**

Relief ValveP/N	8	9	10	11	12	13	14	15	16	17	18	19	20	21	22	23	24	25
511-548-051			1	1														
511-548-052			1	1	2	2	1	1				1						
511-548-056	1	1					1	1	2	2	2		1	1				
511-548-057												1	1	1	2	2	2	2



## Residential Water Heater Replacement Parts

Part No.	Description	Model
633-900-130	Residential Thermostat, (Includes: Knob and Instructions) 90 -160 Degree Range	Plus 30-60 Gold & Ultra- Plus 30-80
633-900-200	Thermostat Cover Plate, (Includes: Plastic Fasteners)	Gold & Ultra Plus 30-80
633-900-102	Thermostat with Cover Plate Kit, (Includes: T-Stat, Knob, Snap Set, and Cover Plate with Fasteners)	Gold & Ultra Plus 30-80
635-600-145	Snap Set with Wire Connector	Gold & Ultra Plus 30-80
635-600-080	Snap Set with Harness	Plus 30-80
635-100-003	Automatic Air Vent # 400 - ½" N.P.T	ALL
635-700-014	Bag Assembly Kit – (Includes :Air Vent, Reducer Bushing, Brass Tee, Drain Valve, and Drain Valve Cap with Washer)	Gold & Ultra Plus 30-80
633-900-117	Drain Valve Kit - (Includes: ¾" Drain Valve, ¾" Brass Tee, Hose Bib)	Plus 30-60 Gold & Ultra- Plus 30-80
635-100-017	Zoning Circulator – (Taco 007)	Combo 40C
635-100-019	Zoning Circulator Priority Circuit Board – (Taco 007)	Combo 40C
633-900-209	Zone Valve Replacement Kit, (Includes: valve body, valve actuator, & wiring harness)	Combo 30/40V
633-900-206	2-Port Zone Valve Kit, (Plug-in Harness Works Only w/ HEII, GV, CGA-PI's, CGI S2)	Gold & Ultra Plus 30-60
633-900-207	3-Port Zone Valve Kit, (Plug-in Harness Works Only w/ HEII, GV, CGA-PI's, CGI S2)	Gold & Ultra Plus 30-60
633-900-208	Zoning Circulator Kit (Plug-in Harness Works Only w/ HEII, GV, CGA-PI's, CGI S2)	Gold & Ultra Plus 30-60
633-900-118	Dip Tube Kit – ¾" (Includes: 34" Dip Tube, O Rings, & Instructions)	ALL Size 30
633-900-119	Dip Tube Kit – ¾" (Includes: 42" Dip Tube, O Rings, & Instructions)	ALL Size 40
633-900-120	Dip Tube Kit – ¾" (Includes: 52" Dip Tube, O Rings, & Instructions)	ALL Size 60
633-900-125	Dip Tube Kit – ¾" (Includes: 61" Dip Tube, O Rings, & Instructions)	Gold & Ultra Plus 80
635-600-096	Dip Tube O-Ring – ¾"	Plus 30-60 Gold & Ultra- Plus 30-80
635-600-061	Drywell Replacement Kit – (Includes: 19.68" Drywell and Instructions)	ALL 30
635-600-062	Drywell Replacement Kit – (Includes: 27.56" Drywell and Instructions)	ALL 40
635-600-063	Drywell Replacement Kit – (Includes: 37.40" Drywell and Instructions)	ALL 60
635-600-064	Drywell Replacement Kit – (Includes: 47.25" Drywell and Instructions)	ALL 80
635-600-150	Drywell O-Ring Kit – (Includes: Rubber & Copper O-Rings, Loctite-680, & Instructions)	ALL
635-600-139	Plastic Top Cover (Old Style, Drywell in back) – (Specify Tank Size When Ordering)	Gold & Ultra Plus 30-80
633-800-440	Plastic Top Cover (New Style, Drywell in front) – These Covers Used with Series 3 Tanks - (Need CP Number To Confirm) – (Specify Tank Size When Ordering)	Gold & Ultra Plus 30-80
	Gold Plus-30 – (CP Number Greater Than 5216231)	
	Gold Plus-40 – (CP Number Greater Than 5216747)	
	Gold Plus-60 – (CP Number Greater Than 5217621)	
634-200-166	Plastic Bottom	Gold & Ultra Plus 30-80

## Commercial Water Heater Replacement Parts

Part No.	Description	Model
635-100-010	Commercial Thermostat – (Includes Thermostat and Instructions) 90 – 190° Range	Plus 80/100/120 Gold Plus 100/110/119
635-600-080	Snap Set with Wire Connector	Plus 80/100/120 Gold Plus 100/110/119
635-600-205	Thermostat Cover Plate with Plastic Fasteners	Plus 100/110/119
635-600-084	Thermometer	Plus 80/100/120
635-100-003	Automatic Air Vent # 400 – ½" N.P.T	ALL
633-900-110	Dip Tube Kit – 1" (Includes: Dip Tube, O-Rings, & Instructions)	Plus 80
633-900-115	Dip Tube Kit – 1 ½" (Includes: Dip Tube, O-Rings, & Instructions) , 61"	Plus 100/120 Gold Plus 100/110/119
635-600-097	Dip Tube O-Ring – (1")	Plus 80
635-600-098	Dip Tube O-Ring – (1 ½")	Plus 100/120
635-600-065	Drywell Replacement Kit – (Includes: 51.25" Drywell, Loctite, & Instructions)	Plus 100/120
635-600-150	Drywell O-Ring Kit – (Includes: Rubber & Copper O-Rings, Loctite and Instructions)	ALL
633-800-441	Plastic Top Cover	Gold Plus 100/110
633-800-442	Plastic Top Cover	Gold Plus 119
634-200-167	Btm cover	Gold Plus 100/110
634-200-168	Btm cover	Gold Plus 119

## **Burner Manufacturer Contact Information**

When ordering burner repair parts from the following manufacturers, please provide UL Serial Number, Burner Model Number and Control/Burner Specification Number as appropriate.

R.W. Beckett Corporation  
38251 Center Ridge Rd  
PO Box 1289  
Elyria, OH 44035  
440-327-1060

Carlin Combustion Technology, Inc.  
70 Maple St  
East Long Meadow, MA 01028  
413-525-7700

Power-Flame, Inc.  
2001 S. 21st St  
Parsons, KS 67357  
620-421-0480

Webster Engineering and Manufacturing Co, Inc.  
619 Industrial Rd, Drawer 748  
Winfield, KS 67156  
620-221-7464

## Manufacturing Dates by Series GAS BOILERS

AHE	
Series 1	Never Marketed
Series 2	May 1985 - April 1987
Series 3	April 1987 - June 2000
Series 4	June 2000 - June 2005
Boiler Discontinued June 2005	
CGa	
Series 1	April 2000 - Present
CGi	
Series 1	June 1997 - April 2000
Series 2	April 2000 - Present
CGM, CG and P-CG	
Series 1	February 1967 - November 1971
Series 2 & 3	Never Marketed
Series 4	November 1971 - April 1975
Series 5	April 1975 - January 1977
Series 6	January 1977 - May 1980
Series 7	May 1980 - April 1983
Series 8	April 1983 - July 1987
Series 9	July 1987 - January 1991
Series 10	January 1991 - November 1991
Series 11	November 1991 - December 1995
Series 12	January 1996 - April 2000
Boiler Discontinued April 2000	
CGs	
Series 1	October 1999 - Present
CGt	
Series 1	September 2001 - Present
CGX	
Series 1	August 1995 - December 1995
Series 2	January 1996 - April 2000
Boiler Discontinued April 2000	
D and PD	
Series 1	August 1961 - January 1965
Series 2	November 1964 - May 1965
Series 3	April 1965 - February 1967
Boiler Discontinued - February 1967	
E	
Series 1	March 1960 - April 1962
Series EB	April 1962 - April 1965
Series 2	April 1965 - May 1970
Series 3	May 1970 - August 1975
Boiler Discontinued - August 1975	

EG	
Series 1	August 1975 - April 1985
	Standard with Tankless Heater Opening
Series 1	April 1985 - January 1991
	Standard without Tankless Heater Opening Optional with Tankless Heater Opening
Series 2	January 1991 - November 1991
	Standard without Tankless Heater Opening Optional with Tankless Heater Opening
Series 3	November 1991 - December 1995
	Boiler Offered as Packaged Steam Unit without Tankless Heater
Series 4	January 1996 - Present
	Standard without Tankless Heater Opening Optional with Tankless Heater Opening
Series 1	March 1960 - April 1965
Series 2	April 1965 - May 1970
Series 3	May 1970 - August 1975
Boiler Discontinued - August 1975	
EGH	
Series 1	August 1975 - March 1978
Series 2	March 1978 - April 1985
	Standard with Tankless Heater Opening
Series 2	April 1985 - August 1990
	Standard with Tankless Heater Opening Optional with Tankless Heater Opening
Series 3	August 1990 - December 1995
	Standard with Tankless Heater Opening Optional with Tankless Heater Opening
Series 4	January 1996 - Present
	Standard with Tankless Heater Opening Optional with Tankless Heater Opening
Series 1	July 1964 - April 1965
Series 2	April 1965 - May 1970
Series 3	May 1970 - August 1975
Boiler Discontinued - August 1975	
G	
Series 1	February 1949 - April 1951
Series 2	April 1951 - August 1957
Series 3	August 1957 - April 1961
Boiler Discontinued - April 1961	
GV	
Series 1	June 1990 - May 1993
Series 2	May 1993 - July 1999
Series 3	July 1999 - July 2001
Series 4	July 2001 - Present
H	
Series 1	March 1952 - June 1954
Series 2	June 1954 - May 1956
Series 3	May 1956 - August 1961
Series 4	August 1961 - November 1966

# Manufacturing Dates by Series GAS BOILERS

Boiler Discontinued November 1966	
<b>HE</b>	
Series 1	September 1981 - July 1982
Series 2	July 1982 - May 1985
Series 3	May 1985 - July 1991
Boiler Discontinued - July 1991	
<b>HEII</b>	
Series 1	July 1991 - June 1987
<b>HG</b>	
Series 1	February 1966 - October 1970
Boiler Discontinued October - 1970	
<b>J</b>	
Series 1	September 1955 - September 1957
Series 2	September 1957 - March 1960
Series 3	March 1960 - June 1965
Boiler Discontinued - June 1965	
<b>JB</b>	
Series 1	November 1964 - July 1970
Boiler Discontinued - July 1970	
<b>K</b>	
Series 1	April 1964 - December 1969
Boiler Discontinued (Series 1) - December 1969	
Series 3	April 1972 - August 1975
Boiler Discontinued (Series 2) - August 1975	
Series 1	April 1970 - July 1972
Series 2	July 1972 - May 1977
Boiler Discontinued - May 1977	
<b>LGB</b>	
Series 1	August 1985 - June 1993
Series 2	June 1993 - Present
<b>MG</b>	
Series 1	June 1969 - April 1973
Boiler Discontinued - April 1973	
<b>MGB</b>	
Series 1	April 1973 - January 1984
Series 2	January 1984 - December 1985
Boiler Discontinued - December 1985	
<b>OB15</b>	
Series 1	May 1950 - September 1951
Series 2	September 1951 - June 1953
Series 3	June 1953 - June 1962
Boiler Discontinued - June 1962	
<b>OB18</b>	

Series 1	June 1952 - June 1954
Series 2	Never Marketed
Series 3	June 1954 - June 1962
Boiler Discontinued - June 1962	
<b>P-EG</b>	
Series 1	August 1975 - April 1977
Boiler Discontinued May 1977	
Series 1	August 1978 - January 1991
Boiler Offered as Packaged Steam Unit without Tankless Heater	
Series 2	January 1991 - November 1991
Boiler Offered as Packaged Steam Unit without Tankless Heater	
Series 3	November 1991 - December 1995
Boiler Offered as Packaged Steam Unit without Tankless Heater	
Series 4	January 1996 - Present
Boiler Offered as Packaged Steam Unit without Tankless Heater	
<b>P-FG</b>	
Series 1	February 1972 - February 1977
Series 2	February 1977 - July 1981
Series 3	July 1981 - January 1989
Series 4	January 1989 - December 1991
Series 5	December 1991 - December 1995
Series 6	January 1996 - February 2006
Series 7	February 2006 - Present
<b>PAG</b>	
Series 1	August 1956 - August 1957
Series 2	August 1957 - April 1961
Boiler Discontinued - April 1961	
<b>POB15</b>	
Series 3	November 1953 - January 1958
Series 4	January 1958 - June 1962
Boiler Discontinued - June 1962	
<b>POB18</b>	
Series 4	August 1955 - June 1962
Boiler Discontinued - June 1962	
<b>Series 5 Boiler</b>	
Series 5	May 1952 - April 1955
Series 5A	April 1955 - September 1955
Boiler Discontinued - September 1955	
<b>VHE</b>	
Series 1	September 1981 - July 1982
Series 2	July 1982 - May 1985
Series 3	May 1985 - June 1990
Boiler Discontinued - June 1990	
<b>Ultra Gas</b>	
Series 1	November 2002 - May 2004
Series 2	May 2004 - July 2008
Series 3	July 2008 - September 2009

# Manufacturing Dates by Series ROUND BOILERS

Series 3UE	September 2009 - Present
<b>ROB18</b>	
Series 1	June 1953 - April 1954
Series 2	April 1954 - June 1954
Series 3	June 1954 - December 1964
Boiler Discontinued - December 1964	
<b>RO2-6, RO3-6, RO3-7, RO4-6, RO4-7</b>	
Series 1	May 1932 - April 1934
Series 2	April 1934 - March 1935
Series 3	March 1935 - July 1937
Series 4	July 1937 - April 1951
Series 5	April 1951 - April 1953
Boiler Discontinued - April 1953	
<b>Round Boilers, Jacketed (SJ or WJ)</b>	
Series D	February 1935 - September 1937
Boiler Discontinued - September 1937	
<b>17" Round, Hand-Fired</b>	
Series B	November 1922 - September 1924
Series C	September 1924 - April 1928
Series D	April 1928 - March 1944
Boiler Discontinued - March 1944	
<b>19" Round, Hand-Fired</b>	
Series B	November 1922 - September 1924
Series C	September 1924 - March 1928
Series D	March 1928 - March 1934
Series E	March 1934 - January 1964
Boiler Discontinued - January 1964	
<b>22" Round, Hand-Fired</b>	
Series B	November 22 - May 1924
Series C	May 1924 - March 1928
Series D	March 1928 - April 1951
Series E	April 1951 - January 1964
Boiler Discontinued - January 1964	
<b>25" Round, Hand-Fired</b>	
Series B	November 1922 - May 1924
Series C	May 1924 - March 1928
Series D	March 1928 - April 1951
Series E	April 1951 - January 1962
Boiler Discontinued - January 1964	
<b>28" Round, Hand-Fired</b>	
Series B	November 1922 - May 1924
Series C	May 1924 - March 1928
Series D	March 1928 - April 1951
Series E	April 1951 - April 1953
Boiler Discontinued - April 1953	
<b>31" Round, Hand-Fired</b>	

Series B	November 1922 - May 1924
Series C	May 1924 - March 1928
Series D	March 1928 - April 1946
Boiler Discontinued - April 1946	

<b>17" Round, Automatic-Fired</b>	
Series B	November 1922 - September 1924
Series C	September 1924 - April 1928
Series D	April 1928 - March 1934
Series 1	March 1934 - February 1944
Boiler Discontinued - February 1944	

<b>19" Round, Automatic-Fired</b>	
Series B	November 1922 - September 1924
Series C	September 1924 - March 1928
Series D	March 1928 - March 1934
Series 1	March 1934 - April 1951
Series 2	April 1951 - January 1964
Boiler Discontinued January 1964	

<b>22" Round, Automatic-Fired</b>	
Series B	November 1922 - May 1924
Series C	May 1924 - March 1928
Series D	March 1928 - April 1934
Series 1	April 1934 - April 1951
Series 2	April 1951 - January 1964
Boiler Discontinued January 1964	

<b>25" Round, Automatic-Fired</b>	
Series B	November 1922 - May 1924
Series C	May 1924 - March 1928
Series D	March 1928 - March 1934
Series 1	March 1934 - April 1951
Series 2	April 1951 - January 1964
Boiler Discontinued - January 1964	

<b>28" Round, Automatic-Fired</b>	
Series B	November 1922 - May 1924
Series C	May 1924 - March 1928
Series D	March 1928 - March 1934
Series 1	March 1934 - April 1951
Series 2	April 1951 - April 1953
Boiler Discontinued - April 1953	

<b>31" Round, Automatic-Fired</b>	
Series B	November 1922 - May 1924
Series C	May 1924 - March 1928
Series D	March 1928 - March 1934
Series 1	March 1934 - April 1946
Boiler Discontinued - April 1946	

# Manufacturing Dates by Series OIL BOILERS

<b>P35</b>	
Series 1	June 1971 - June 1972
Boiler Discontinued - June 1972	
<b>P42</b>	
Series 1	August 1964 - April 1967
Boiler Discontinued - April 1967	
<b>P43</b>	
Series 1	April 1967 - June 1971
<b>P52</b>	
Series 1	March 1963 - December 1964
Boiler Discontinued - December 1964	
<b>P62</b>	
Series 1	January 1961 - July 1972
Boiler Discontinued - July 1972	
<b>B62 &amp; A62</b>	
Series 1	January 1961 - April 1962
Series 2	April 1962 - January 1975
Boiler Discontinued - January 1975	
<b>P-65 (Water)</b>	
Series 1	June 1972 - February 1974
Boiler Discontinued - February 1974	
<b>P-65 (Steam)</b>	
Series 1	December 1972 - February 1974
Boiler Discontinued - February 1974	
<b>A &amp; B65</b>	
Series 1	May 1973 - August 1974
Series 2	August 1974 - April 1978
Series 3	April 1978 - April 1978
Boiler Discontinued - April 1978	
<b>A-66E</b>	
Series 1	Never Marketed
Series 2	Never Marketed
Series 3	March 1978 - April 1987
Boiler Discontinued - April 1987	
<b>B-66E</b>	
Series 1	Never Marketed
Series 2	Never Marketed
Series 3	March 1978 - April 1984
Boiler Discontinued - April 1984	

<b>P-66/P-66E</b>	
Series 1	February 1974 - April 1978
Series 2	Never Marketed
Series 3	March 1978 - April 1984 P-66E Marketed Only as Series 3
Boiler Discontinued - April 1984	
<b>B-66HE</b>	
Series 1	Never Marketed
Series 2	Never Marketed
Series 3	March 1978 - April 1984
Boiler Discontinued - April 1984	
<b>P-66HE</b>	
Series 1	Never Marketed
Series 2	Never Marketed
Series 3	June 1983 - April 1984 Weil-McLain Burner April 1984 - April 1987 Weil-McLain Burner, Also Beckett & Carlin
Boiler Discontinued - April 1987	
<b>P-66HEA, Top Flue Outlet</b>	
Series 1	Never Marketed
Series 2	Never Marketed
Series 3	August 1983 - April 1984 Weil-McLain Burner April 1984 - April 1987 Weil-McLain Burner, Also Beckett & Carlin May 1985 - April 1987 Incorporated P-266HEA-W
Boiler Discontinued - April 1987	
<b>P66WT-B (about 300 units)</b>	
Series 2	December 1977 only Sections used push nipples; Beckett oil burner
Boiler Discontinued - December 1977	
<b>P-68, B-68 and A-68</b>	
Series 1	April 1987 - April 1995
<b>P-68V, B-86V and A-68V</b>	
Series 1	April 1987 - April 1995
<b>B-72</b>	
Series 1	March 1956 - August 1966
Boiler Discontinued - August 1966	
<b>A-72</b>	
Series 1	March 1956 - August 1966
Boiler Discontinued - August 1966	
<b>B-73</b>	
Series 1	August 1966 - May 1976

## Manufacturing Dates by Series OIL BOILERS

<b>FA-73</b>	
Series 1	August 1967 - May 1976
Boiler Discontinued - May 1976	
<b>B-76</b>	
Series 1	September 1975 - May 1993
Boiler Discontinued - May 1993	
<b>B-78</b>	
Series 1	May 1993 - July 2002
<b>B-82 &amp; A-82</b>	
Series 1	April 1958 - August 1975
Boiler Discontinued - August 1975	
<b>B-84</b>	
Series 1	February 1956 - September 1969
Series 2	September 1969 - April 1977
Boiler Discontinued - April 1977	
<b>B-86</b>	
Series 1	July 1974 - February 1985
Boiler Discontinued February 1985	
<b>P-86</b>	
Series 1	January 1975 - February 1985
Boiler Discontinued - February 1985	
<b>B-88</b>	
Series 1	February 1985 - March 2008
Series 2	March 2008 - Present
<b>Gold Oil (WGO, WTGO, SGO)</b>	
Series 1	April 1995 - June 1996
Series 2	June 1996 - June 1997
Series 3	June 1997 - Present
<b>SF-90</b>	
Series 1	August 1979 - January 1983
Series 2	January 1983 - April 1985
Boiler Discontinued - April 1985	
<b>B-92</b>	
Series 1	August 1963 - March 1965
Series 2	March 1965 - August 1969
Series 3	August 1969 - August 1975
Boiler Discontinued - August 1975	
<b>BH-92</b>	
Series 1	August 1963 - January 1965
Boiler Discontinued - January 1965	

<b>HR-92</b>	
Series 1	August 1965 - January 1965
Boiler Discontinued - January 1965	
<b>B-94</b>	
Series 1	March 1965 - July 1967
Series 2	July 1967 - January 1983
Series 3	January 1983 - Present
<b>H-94</b>	
Series 1	March 1965 - July 1967
Series 2	July 1967 - January 1983
Series 3	January 1983 - Present
<b>80</b>	
Series 1	July 2002 - Present
<b>Ultra Oil</b>	
Series 1	November 2005 - Present



## Sales Reference Listing

Ref#	Part#
10B001	385-600-096
10B002	311-103-760
10B005	311-103-800
10B006	311-103-805
10B007	311-103-810
10B008	311-103-815
10B009	311-103-818
10B010	311-103-821
10B011	311-800-007
10B012	311-800-010
10B013	311-800-014
10B014	311-800-022
10B015	311-800-026
10B016	311-800-029
10B017	311-800-032
10B033	312-600-066
10B034	312-600-069
10B035	312-600-070
10B036	312-600-071
10B041	312-804-400
10B042	312-804-410
10B043	312-900-000
10B044	312-900-003
10B045	312-900-006
10B053	313-300-100
10B054	313-300-103
10B055	313-300-106
10B069	315-600-100
10B070	315-600-110
10B071	315-600-120
10B072	315-600-130
10B079	316-201-260
10B081	316-301-100
10B082	316-301-110
10B083	316-301-120
10B084	316-301-130
10B085	316-301-140
10B086	316-301-150
10B087	316-301-155
10B088	316-301-160
10B089	316-301-165
10B090	316-301-170
10B091	316-601-216
10B092	316-601-219
10B093	316-601-222
10B094	316-601-225
10B095	316-601-228

Ref#	Part#
10B096	316-601-231
10B097	316-601-234
10B098	316-601-237
10B099	316-601-240
10B100	316-601-243
10B101	316-601-246
10B102	316-601-249
10B115	317-500-100
10B116	317-500-200
10B117	317-500-220
10B118	317-500-230
10B119	317-500-240
10B121	317-802-490
10B122	317-802-500
10B123	317-802-520
10B124	318-102-440
10B125	318-102-448
10B126	318-102-450
10B127	318-102-480
10B128	318-102-482
10B129	318-102-505
10B130	318-102-515
10B131	318-102-525
10B132	318-102-535
10B133	318-102-545
10B134	318-102-575
10B135	318-302-100
10B136	318-806-200
10B141	321-114-270
10B142	321-114-271
10B143	321-114-272
10B144	321-114-273
10B145	321-114-274
10B146	321-114-275
10B147	321-114-276
10B148	321-114-277
10B149	113-800-000
10B150	113-800-002
10B151	113-800-004
10B152	113-800-006
10B153	113-800-008
10B154	113-800-010
10B157	321-711-100
10B158	321-711-105
10B159	321-711-110
10B160	321-711-115
10B161	321-711-120

Ref#	Part#
10B162	321-711-125
10B163	321-711-130
10B164	321-711-135
10B165	321-711-140
10B166	321-711-145
10B167	321-811-095
10B168	321-811-100
10B169	321-811-110
10B170	321-811-115
10B171	321-811-120
10B172	321-811-125
10B173	321-811-130
10B174	321-811-135
10B175	321-811-140
10B176	321-811-145
10B184	128-800-000
10B185	128-800-002
10B186	128-800-004
10B187	128-800-006
10B188	322-800-110
10B189	322-800-112
10B190	129-800-000
10B191	129-800-002
10B192	129-800-004
10B193	129-800-006
10B205	326-604-101
10B211	326-504-267
10B212	326-504-268
10B213	326-504-269
10B214	326-504-270
10B215	326-504-271
10B216	326-504-288
10B224	326-604-089
10B225	326-604-090
10B226	326-604-091
10B227	326-604-092
10B228	326-604-093
10B229	326-604-094
10B230	326-604-095
10B231	326-604-096
10B232	326-604-097
10B233	326-604-098
10B234	326-604-099
10B235	326-604-100
10B236	330-001-000
10B237	330-001-050
10B240	330-001-200

Ref#	Part#
10B243	330-001-350
10B245	330-001-450
10B246	330-001-480
10B263	330-025-950
10B272	330-027-200
10B273	330-027-350
10B275	330-027-500
10B277	330-028-050
10B282	330-028-450
10B285	388-135-300
10B287	330-043-904
10B288	330-043-905
10B289	330-043-907
10B290	330-045-250
10B330	330-053-100
10B338	340-003-810
10B339	330-055-410
10B347	330-056-634
10B349	330-059-910
10B350	330-060-200
10B351	330-060-210
10B352	330-060-300
10B353	330-060-310
10B354	330-060-400
10B355	330-060-500
10B356	330-060-700
10B357	330-061-000
10B358	330-061-300
10B359	330-061-400
10B360	330-062-000
10B361	330-062-001
10B362	330-062-005
10B389	340-004-598
10B391	340-004-605
10B392	340-004-606
10B393	340-004-607
10B394	340-004-608
10B395	340-004-609
10B398	340-004-612
10B401	340-004-616
10B402	340-004-620
10B403	340-004-633
10B404	340-004-635
10B405	340-004-700
10B406	340-004-740
10B414	342-000-020
10B421	343-500-540

## Sales Reference Listing

Ref#	Part#
10B422	381-354-518
10B423	381-354-519
10B424	382-930-100
10B425	382-930-101
10B426	382-930-102
10B427	382-930-103
10B428	382-930-105
10B429	382-930-106
10B430	382-930-107
10B431	382-930-108
10B436	386-500-085
10B438	387-834-905
10B439	388-135-020
10B448	443-300-100
10B449	443-300-101
10B450	443-300-102
10B451	443-300-103
10B452	443-300-104
10B453	443-300-105
10B454	443-300-106
10B492	450-003-545
10B493	450-003-546
10B494	450-003-547
10B495	450-003-548
10B496	450-003-549
10B497	450-003-550
10B498	450-003-551
10B499	450-003-553
10B500	450-003-554
10B501	450-003-555
10B502	450-003-556
10B503	450-003-557
10B504	450-003-558
10B505	450-003-559
10B506	450-003-560
10B507	450-003-561
10B508	450-003-562
10B509	450-003-563
10B510	450-003-564
10B511	450-003-565
10B512	450-003-566
10B513	450-003-567
10B514	450-003-568
10B515	450-003-569
10B516	450-003-570
10B517	450-003-571
10B518	450-003-572

Ref#	Part#
10B519	450-003-573
10B520	450-003-574
10B521	450-003-582
10B522	450-003-583
10B523	450-003-584
10B524	450-003-585
10B525	450-003-586
10B526	450-003-587
10B527	450-003-588
10B528	450-003-589
10B529	450-003-590
10B530	383-300-165
10B545	450-003-730
10B546	450-003-731
10B547	450-003-732
10B548	450-003-733
10B549	450-003-734
10B550	450-003-735
10B551	450-014-733
10B552	450-014-734
10B553	450-014-735
10B554	450-014-736
10B555	450-014-737
10B561	450-014-750
10B562	450-014-751
10B563	450-014-752
10B564	450-014-753
10B565	450-014-754
10B573	450-014-815
10B574	450-014-816
10B575	450-014-817
10B576	450-014-818
10B582	450-019-851
10B583	450-019-852
10B584	450-019-853
10B585	450-019-854
10B586	450-019-855
10B587	450-019-856
10B588	450-019-857
10B589	450-020-100
10B590	450-020-101
10B591	450-020-102
10B592	450-020-103
10B593	450-020-104
10B607	450-020-487
10B608	450-020-488
10B609	450-020-489

Ref#	Part#
10B610	450-020-490
10B611	450-020-491
10B612	450-020-492
10B625	450-021-200
10B626	450-021-201
10B627	450-021-202
10B648	450-029-549
10B649	450-030-392
10B650	450-030-393
10B651	450-030-394
10B652	450-030-395
10B653	450-030-396
10B654	450-030-397
10B655	450-030-398
10B656	450-030-399
10B657	450-030-450
10B658	450-030-451
10B659	450-030-452
10B660	450-030-453
10B661	450-030-454
10B662	450-030-455
10B663	450-030-456
10B664	450-030-457
10B665	450-030-458
10B666	450-030-459
10B667	450-030-460
10B668	450-030-461
10B669	450-030-462
10B670	450-030-463
10B671	450-030-464
10B672	450-030-465
10B673	450-030-466
10B674	450-030-467
10B675	450-030-468
10B676	450-030-469
10B681	450-030-474
10B682	450-030-475
10B683	450-030-642
10B684	450-030-643
10B685	450-030-644
10B686	450-030-645
10B687	450-030-646
10B688	450-030-647
10B689	450-030-924
10B690	450-030-925
10B691	450-030-934
10B692	450-030-949

Ref#	Part#
10B693	450-030-950
10B694	450-030-951
10B695	450-030-952
10B696	450-030-953
10B697	450-030-954
10B698	450-030-955
10B699	450-030-960
10B700	450-030-961
10B701	450-030-962
10B702	450-030-963
10B703	450-030-964
10B707	450-206-240
10B708	450-206-241
10B709	450-206-242
10B710	450-206-243
10B711	450-206-244
10B712	451-800-000
10B713	451-800-001
10B714	451-800-002
10B715	451-800-003
10B716	451-800-004
10B717	451-800-005
10B718	451-800-006
10B719	451-800-007
10B720	451-800-008
10B721	451-800-009
10B722	451-800-010
10B723	451-800-011
10B724	451-800-012
10B725	451-800-013
10B726	451-800-014
10B727	451-800-015
10B728	451-800-016
10B729	451-800-017
10B730	451-800-018
10B731	451-800-019
10B732	451-800-020
10B733	451-800-021
10B734	451-800-022
10B735	451-800-023
10B736	451-800-024
10B737	451-800-025
10B738	451-800-026
10B739	451-800-027
10B740	451-800-028
10B741	451-800-029
10B742	451-800-040

## Sales Reference Listing

Ref#	Part#
10B743	451-800-041
10B744	451-800-042
10B745	451-800-043
10B746	451-800-044
10B747	451-800-045
10B748	451-800-046
10B749	451-800-047
10B750	451-800-048
10B751	451-800-049
10B752	451-800-070
10B754	451-800-085
10B755	451-800-086
10B756	451-800-087
10B757	451-800-088
10B758	451-800-089
10B759	451-800-090
10B760	451-800-092
10B761	451-800-094
10B762	451-800-095
10B763	451-800-096
10B764	451-800-097
10B765	451-800-098
10B766	451-800-099
10B767	452-800-500
10B768	452-800-501
10B769	452-800-502
10B770	452-800-503
10B773	452-800-540
10B774	452-800-541
10B775	452-800-542
10B776	452-800-543
10B779	452-800-580
10B780	452-800-581
10B781	452-800-582
10B782	452-800-583
10B791	452-800-655
10B793	460-003-640
10B794	460-003-646
10B796	460-003-701
10B797	460-003-702
10B798	460-003-703
10B799	460-003-704
10B800	460-003-705
10B801	460-003-706
10B803	460-003-710
10B804	460-003-741
10B805	460-003-742

Ref#	Part#
10B806	460-003-743
10B807	460-003-744
10B808	460-003-745
10B809	460-003-746
10B811	460-003-777
10B812	460-003-778
10B813	460-003-779
10B814	460-003-780
10B815	460-003-781
10B816	460-003-782
10B818	460-005-624
10B819	460-005-690
10B828	460-030-930
10B829	460-030-936
10B832	460-030-960
10B837	460-039-892
10B839	460-039-898
10B840	462-400-000
10B841	467-831-115
10B844	469-033-365
10B854	511-306-700
10B855	511-306-701
10B856	511-306-702
10B857	511-306-703
10B858	511-306-704
10B859	512-200-010
10B860	512-200-015
10B861	512-200-019
10B864	512-200-029
10B865	512-200-030
10B866	512-200-035
10B867	512-200-045
10B868	512-200-050
10B869	512-200-055
10B870	512-200-060
10B871	512-200-065
10B872	512-250-020
10B873	512-250-025
10B875	560-134-480
10B876	560-134-485
10B877	560-134-490
10B878	560-134-495
10B879	560-134-505
10B880	560-234-400
10B881	560-234-403
10B882	560-234-407
10B883	560-234-408

Ref#	Part#
10B885	560-234-417
10B886	560-234-417
10B887	560-234-422
10B888	560-234-430
10B889	560-234-433
10B890	560-234-435
10B892	560-234-437
10B894	560-234-439
10B895	560-234-443
10B899	560-234-464
10B900	560-234-465
10B901	560-234-466
10B902	560-234-467
10B903	560-234-468
10B904	560-234-469
10B905	560-234-470
10B906	560-234-471
10B907	560-234-472
10B908	560-234-473
10B909	560-234-474
10B910	560-234-475
10B911	560-234-476
10B912	560-234-477
10B913	560-234-478
10B914	560-234-479
10B915	560-234-480
10B916	560-234-482
10B917	560-234-485
10B918	560-234-490
10B921	560-234-500
10B922	560-234-501
10B923	560-234-502
10B924	560-234-503
10B925	560-234-504
10B926	560-234-505
10B927	560-340-560
10B928	560-340-570
10B929	560-340-579
10B931	560-528-937
10B932	560-528-987
10B933	560-528-988
10B934	560-528-989
10B935	560-528-990
10B936	560-528-997
10B937	560-528-998
10B941	560-529-020
10B943	560-529-037

Ref#	Part#
10B944	560-743-005
10B945	560-907-575
10B946	560-917-100
10B947	561-326-825
10B948	561-326-827
10B949	561-928-215
10B950	561-928-221
10B951	561-928-224
10B953	460-003-784
10B954	562-248-668
10B955	562-248-684
10B956	562-248-690
10B957	562-248-710
10B958	562-610-325
10B959	562-650-104
10B960	562-650-105
10B961	562-930-236
10B962	563-530-784
10B964	590-317-490
10B965	590-317-495
10B966	590-317-500
10B967	590-317-515
10B968	590-317-523
10B969	590-317-524
10B970	590-317-544
10B971	590-317-546
10B972	590-317-572
10B973	590-317-575
10B974	590-317-579
10B975	590-317-580
10B976	590-317-605
10B977	590-317-606
10B979	590-317-620
10B980	590-317-625
10B982	590-424-252
10B983	590-424-253
10B984	590-524-867
10B985	590-735-140
10B986	590-735-145
10B987	590-735-150
10B989	591-000-054
10B990	591-000-064
10B991	591-000-061
10B992	591-000-062
10B993	591-125-533
10B994	591-125-534
10B995	591-125-535

## Sales Reference Listing

Ref#	Part#
10B996	591-125-538
10B997	591-125-539
10B998	591-125-540
10B999	591-125-541
10C001	591-850-200
10C002	591-850-210
10C003	591-850-203
10C004	591-850-201
10C005	591-850-202
10C018	450-030-392
10C019	450-030-393
10C020	450-030-394
10C021	450-030-395
10C022	450-030-396
10C023	450-030-397
10C024	450-030-398
10C025	450-030-399
10C030	510-148-563
10C031	510-218-035
10C033	510-218-065
10C034	510-218-099
10C035	510-218-100
10C036	510-218-135
10C037	510-218-145
10C038	510-218-148
10C039	510-311-020
10C040	510-312-105
10C042	510-311-019
10C043	510-312-209
10C044	510-312-010
10C045	510-312-012
10C046	510-312-137
10C047	510-312-145
10C048	510-312-135
10C049	510-312-147
10C052	510-312-162
10C053	510-312-166
10C054	510-312-246
10C055	510-312-250
10C056	510-312-255
10C057	510-312-279
10C058	510-312-280
10C063	510-312-320
10C064	510-312-065
10C065	510-350-061
10C066	510-350-062
10C067	510-350-211

Ref#	Part#
10C070	510-350-220
10C071	510-350-221
10C072	510-350-223
10C073	510-350-219
10C074	510-350-369
10C075	510-350-430
10C076	510-350-465
10C077	510-350-466
10C078	510-350-467
10C079	510-429-630
10C085	381-800-445
10C086	381-800-446
10C087	381-800-447
10C088	510-632-088
10C089	510-632-089
10C090	510-744-310
10C091	510-744-328
10C092	510-744-330
10C093	510-744-332
10C094	510-744-334
10C095	510-744-335
10C096	510-744-336
10C097	511-044-347
10C098	511-044-346
10C101	510-933-195
10C102	511-044-039
10C103	511-044-040
10C107	511-044-214
10C108	511-044-215
10C109	511-044-216
10C110	511-044-219
10C111	511-044-239
10C112	511-044-241
10C116	511-044-286
10C117	511-044-287
10C118	511-044-273
10C119	511-044-274
10C120	511-044-284
10C121	511-044-285
10C122	511-044-288
10C123	511-044-289
10C124	511-044-360
10C128	511-044-298
10C132	511-044-311
10C135	511-044-323
10C136	511-044-327
10C140	511-044-256

Ref#	Part#
10C141	511-044-334
10C142	511-044-335
10C145	511-046-340
10C146	511-046-342
10C147	511-046-344
10C148	511-048-500
10C149	511-048-501
10C150	511-048-502
10C151	511-048-503
10C152	511-114-470
10C153	511-114-474
10C154	511-114-492
10C155	511-114-494
10C156	511-114-511
10C157	511-114-513
10C158	511-210-415
10C159	511-210-423
10C161	511-210-433
10C162	511-246-300
10C163	511-246-305
10C164	511-246-310
10C165	511-246-325
10C166	511-246-330
10C167	511-246-340
10C168	511-246-345
10C169	511-330-104
10C171	511-330-111
10C172	511-330-112
10C173	511-330-115
10C174	511-330-116
10C176	511-330-118
10C177	511-330-122
10C178	511-330-123
10C179	511-330-124
10C182	511-330-129
10C183	511-330-170
10C184	511-330-181
10C185	511-330-186
10C186	511-330-189
10C188	511-330-192
10C189	511-330-197
10C190	511-330-229
10C191	511-405-006
10C192	511-405-007
10C193	511-405-008
10C195	511-405-113
10C196	511-405-115

Ref#	Part#
10C197	511-405-116
10C198	511-405-117
10C200	511-546-925
10C201	511-546-924
10C202	511-546-930
10C203	511-546-935
10C204	511-546-940
10C205	511-546-945
10C206	511-548-020
10C207	511-548-023
10C208	511-548-046
10C209	511-548-051
10C210	511-548-052
10C211	511-548-056
10C212	511-548-057
10C213	511-624-510
10C214	511-624-511
10C215	511-624-514
10C216	511-624-530
10C217	511-624-532
10C218	511-624-550
10C219	511-624-555
10C220	511-624-556
10C221	511-624-574
10C222	511-624-575
10C223	511-624-576
10C224	511-724-245
10C225	511-724-249
10C226	511-724-253
10C227	511-724-254
10C228	511-724-255
10C229	511-724-261
10C230	511-724-262
10C231	511-724-263
10C232	511-724-264
10C233	511-724-270
10C234	510-811-503
10C235	511-724-274
10C236	511-802-014
10C237	511-802-615
10C238	511-802-620
10C239	511-802-621
10C240	511-842-361
10C241	511-842-362
10C242	511-842-364
10C243	511-842-365
10C244	511-842-366

## Sales Reference Listing

Ref#	Part#
10C245	512-050-002
10C246	512-050-004
10C247	512-050-013
10C248	512-050-015
10C249	512-050-016
10C250	512-050-017
10C251	512-050-018
10C252	512-050-019
10C253	512-050-021
10C254	512-050-023
10C255	512-050-026
10C256	512-050-027
10C257	512-050-230
10C258	512-050-235
10C259	512-150-147
10C260	512-150-148
10C261	512-150-149
10C262	512-200-055
10C264	560-528-945
10C265	560-528-948
10C266	560-528-950
10C268	560-528-957
10C269	560-528-958
10C270	560-528-959
10C271	560-528-964
10C272	560-528-976
10C273	560-528-979
10C274	560-528-980
10C275	560-528-985
10C277	560-742-860
10C278	560-742-880
10C279	560-742-905
10C280	560-742-915
10C282	560-907-617
10C285	561-643-450
10C286	561-643-451
10C287	562-302-017
10C288	562-302-546
10C289	562-650-102
10C290	562-850-089
10C291	563-334-580
10C292	563-334-595
10C293	563-910-008
10C294	563-910-009
10C295	563-910-010
10C296	563-910-011
10C297	563-910-012

Ref#	Part#
10C298	563-910-013
10C299	563-910-014
10C300	563-910-015
10C301	590-216-500
10C304	590-317-535
10C306	590-317-542
10C307	590-317-543
10C308	590-317-630
10C309	590-317-631
10C310	590-317-632
10C311	590-317-633
10C312	590-317-636
10C313	590-849-220
10C314	590-849-236
10C316	591-319-793
10C317	591-319-800
10C318	591-319-801
10C320	591-319-856
10C321	591-391-795
10C322	591-391-798
10C323	591-391-799
10C324	591-391-801
10C325	591-391-802
10C326	591-391-805
10C327	591-391-806
10C328	591-391-807
10C329	591-391-808
10C331	591-391-811
10C333	591-419-185
10C334	591-419-196
10C335	591-550-135
10C336	591-550-164
10C337	591-550-165
10C338	591-550-166
10C339	591-550-229
10C340	591-550-249
10C341	591-550-250
10C342	591-550-272
10C344	591-804-604
10C345	591-850-003
10C346	591-850-140
10C347	591-850-172
10C348	591-850-174
10C349	591-850-176
10C350	591-850-178
10C351	591-850-179
10C352	591-850-180

Ref#	Part#
10C353	591-850-181
10C354	591-850-183
10C355	591-850-185
10C356	591-850-205
10C357	591-850-365
10C358	591-850-370
10C359	591-850-376
10C362	592-300-010
10C364	560-907-624
10C365	510-811-500
10C366	510-811-501
10C367	510-811-485
10C368	510-811-480
10C369	510-811-477
10C372	383-300-190
10C373	511-405-009
10C374	590-921-900
10C375	382-200-320
10C376	382-200-325
10C377	382-200-330
10C378	382-200-335
10C379	382-200-340
10C380	382-200-345
10C381	590-317-610
10C382	511-624-520
10C384	590-317-638
10C385	382-200-315
10C386	382-200-310
10C387	382-200-350
10C388	382-200-385
10C389	382-200-355
10C390	510-811-600
10C391	510-811-605
10C392	510-811-610
10C393	510-811-615
10C394	510-811-620
10C395	510-811-625
10C396	510-811-630
10C397	510-811-635
10C398	591-126-800
10C399	511-044-351
10C400	511-330-165
10C401	511-842-370
10C402	511-330-148
10C403	382-200-375
10C405	591-391-819
10C406	591-391-820

Ref#	Part#
10C407	591-391-821
10C408	511-210-450
10C409	382-200-370
10C410	591-391-818
10C411	510-312-019
10C424	510-312-260
10C430	510-148-567
10C431	382-200-409
10C434	511-330-163
10C437	510-350-100
10C438	510-350-103
10C439	382-200-395
10C440	382-200-400
10C441	511-724-254
10C442	511-044-278
10C443	511-044-279
10C444	382-200-317
10C448	511-044-340
10C449	450-030-654
10C450	450-030-653
10C451	591-391-786
10C452	591-391-788
10C454	382-930-117
10C455	511-330-184
10C456	591-391-789
10C458	510-811-218
10C459	510-811-219
10C460	510-811-220
10C461	381-800-474
10C462	381-800-475
10C463	381-800-476
10C464	381-800-477
10C465	510-512-337
10C466	591-391-780
10C468	511-044-258
10C469	511-044-257
10C470	510-350-218
10C471	510-811-648
10C472	460-003-700
10C474	510-811-644
10C475	510-811-646
10C476	510-811-640
10C477	510-811-642
10C478	381-800-478
10C481	511-330-166
10C482	511-330-097
10C483	511-044-218

## Sales Reference Listing

Ref#	Part#
10C484	383-300-410
10C485	383-300-411
10C486	511-330-095
10C488	511-044-381
10C489	511-044-382
10C490	510-811-457
10C491	510-811-458
10C492	510-811-459
10C493	383-300-412
10C494	381-400-096
10C495	382-930-211
10C496	382-930-212
10C497	561-013-849
10C498	563-210-602
10C499	511-330-182
10C500	450-030-655
10C502	591-391-790
10C503	510-811-456
10C504	510-429-629
10C505	591-804-610
10C506	382-930-305
10C507	382-930-310
10C508	382-930-320
10C511	560-528-982
10C512	560-528-983
10C513	560-528-946
10C514	511-546-923
10C515	450-030-820
10C517	511-044-367
10C520	511-044-373
10C523	382-930-216
10C524	561-541-195
10C525	590-317-645
10C526	510-218-097
10C527	511-044-277
10C528	510-811-655
10C529	510-811-656
10C530	511-330-164
10C531	510-811-390
10C532	510-811-391
10C536	592-300-006
10C537	511-330-149
10C538	382-200-410
10C539	511-405-126
10C540	590-317-548
10C542	511-405-118
10C544	511-210-455

Ref#	Part#
10C546	382-200-420
10C547	382-200-425
10C548	511-044-180
10C549	511-044-182
10C550	511-044-184
10C554	511-330-196
10C555	383-300-415
10C556	383-300-416
10C557	383-300-417
10C558	510-811-476
10C559	382-930-213
10C560	383-300-421
10C561	383-300-422
10C562	383-300-423
10C565	383-300-110
10C567	510-312-312
10C568	510-429-616
10C570	591-850-046
10C571	550-320-220
10C579	510-312-317
10C580	510-311-030
10C581	510-311-040
10C582	511-246-392
10C583	511-405-119
10C584	563-910-027
10C585	563-910-028
10C587	591-391-856
10C588	591-391-846
10C589	591-391-854
10C590	591-391-850
10C591	510-312-144
10C592	510-312-142
10C593	560-640-698
10C594	591-419-194
10C595	563-334-597
10C597	511-114-495
10C598	511-114-512
10C601	510-512-265
10C602	591-391-848
10C603	510-933-197
10C604	510-933-199
10C605	510-933-201
10C606	510-933-203
10C607	510-744-311
10C608	383-300-476
10C609	383-300-477
10C610	383-300-478

Ref#	Part#
10C611	383-300-479
10C612	383-300-480
10C613	383-300-481
10C614	381-400-170
10C615	381-400-173
10C616	510-311-024
10C617	388-800-180
10C618	591-391-842
10C619	591-391-844
10C620	381-354-525
10C621	381-354-526
10C627	386-700-345
10C628	381-354-530
10C629	381-354-531
10C630	591-391-861
10C631	591-391-862
10C632	591-391-863
10C633	540-130-955
10C634	540-130-956
10C635	540-130-957
10C636	540-130-958
10C637	540-130-959
10C638	540-130-960
10C639	540-130-961
10C640	540-130-962
10C641	540-130-963
10C642	540-130-964
10C643	540-130-965
10C644	540-130-966
10C645	540-130-967
10C646	540-130-968
10C647	591-391-878
10C648	591-391-879
10C649	591-391-880
10C650	511-114-515
10C651	510-811-466
10C652	510-312-249
10C653	510-811-404
10C654	510-312-106
10C655	510-218-045
10C656	592-300-005
10C657	560-640-696
10C659	591-391-836
10C660	591-391-837
10C661	511-114-516
10C662	510-811-408
10C663	591-391-849

Ref#	Part#
10C664	386-300-213
10C665	381-354-580
10C666	510-811-403
10C667	591-391-881
10C674	510-350-431
10C675	510-350-432
10C676	510-350-434
10C677	511-044-353
10C678	511-044-354
10C679	511-044-355
10C680	511-330-211
10C681	511-330-099
10C682	591-319-795
10C683	510-312-254
10C684	590-317-627
10C685	510-312-167
10C686	511-624-450
10C687	511-624-451
10C688	511-624-452
10C689	511-624-453
10C690	590-317-650
10C691	590-317-651
10C692	510-811-221
10C693	510-811-222
10C694	511-724-277
10C695	511-724-278
10C697	510-218-075
10C698	510-218-080
10C699	388-800-185
10C999	511-330-159
10E102	562-850-078
10E103	511-330-151
10E104	511-330-157
10E105	511-624-642
10E106	510-350-411
10E107	592-300-023
10E108	511-330-155
10E109	511-050-206
10E110	511-050-208
10E111	511-330-153
10E112	450-029-561
10E113	511-330-158
10E114	591-391-830
10E115	511-330-154
10E116	511-624-643
10E117	511-624-641
10E118	511-624-640

## Sales Reference Listing

Ref#	Part#
10E119	562-850-080
10E120	562-850-079
10E121	562-850-076
10H001	633-900-130
10H002	633-900-117
10H003	633-900-118
10H004	633-900-119
10H005	633-900-120
10H006	635-100-018
10H007	635-100-017
10H008	635-600-166
10H009	635-600-159
10H012	635-100-019
10H014	633-900-200
10H015	635-600-150
10H016	635-600-145
10H017	633-900-206
10H018	633-900-207
10H019	633-900-208
10H020	633-900-209
10H021	633-900-125
10H022	633-900-102
10H461	635-600-096
10H462	635-600-097
10H463	635-600-098
10H510	635-100-010
10H528	633-900-100
10H529	633-900-105
10H530	633-900-110
10H531	633-900-115
10H540	635-100-002
10H542	635-600-037
10H542	635-600-090
10H543	635-600-038
10H544	635-600-039
10H545	635-600-040
10H546	635-600-044
10H549	635-600-080
10H550	635-600-083
10H551	635-600-084
10H552	635-100-003
10J001	422-901-161
10J002	422-901-160
10J003	422-901-170
10J004	422-901-171
10J005	422-901-172
10J006	422-901-173

Ref#	Part#
10J011	422-901-140
10J012	422-901-141
10J013	422-901-142
10J014	422-901-143
10J015	422-901-150
10J016	422-901-151
10J017	422-901-152
10J018	422-901-153
10J019	422-901-120
10J020	422-901-121
10J021	422-901-122
10J022	422-901-123
10J023	426-700-214
10J024	426-700-216
10J025	426-700-218
10J026	426-700-275
10J027	426-700-276
10J028	426-700-277
10J029	426-700-278
10J030	426-700-279
10J031	426-700-280
10J032	426-700-281
10J033	426-700-282
10J034	426-700-283
10J035	426-700-284
10J036	426-700-285
10J037	426-700-286
10J038	426-700-287
10J053	426-700-182
10J054	426-700-168
10J055	426-700-184
10J060	422-200-135
10J061	422-200-137
10J062	422-200-139
10J063	422-200-140
10J064	422-200-144
10J065	422-200-146
10J066	422-200-148
10J067	422-200-150
10J068	422-200-136
10J069	421-208-159
10J070	421-208-160
10J071	431-223-140
10J072	431-223-141
10J073	431-223-142
10J074	431-223-143
10J076	431-223-144

Ref#	Part#
10J077	431-223-145
10J078	431-223-146
10J079	431-214-124
10J080	431-214-125
10J081	431-214-126
10J082	431-214-127
10J083	431-214-128
10J084	431-214-129
10J091	422-901-130
10J097	431-223-221
10J098	431-223-222
10J099	431-223-223
10J100	411-400-135
10J101	411-400-140
10J108	416-700-110
10J109	416-700-111
10J110	416-700-109
10J111	416-700-112
10J112	416-700-113
10J113	416-700-120
10J114	416-700-119
10J115	416-700-121
10J116	416-700-122
10J117	416-700-105
10J118	416-700-106
10J119	416-700-107
10J120	416-700-108
10J121	634-100-336
10J122	416-700-145
10J123	416-700-147
10J124	416-700-149
10J125	416-700-160
10J126	416-700-162
10J127	416-700-164
10J128	416-700-135
10J129	416-700-137
10J130	416-700-139
10J131	426-700-102
10J132	426-700-162
10J133	426-700-178
10J134	426-700-164
10J135	426-700-180
10J136	426-700-166
10J137	569-928-020
10J138	569-928-025
10J139	386-700-853
10J140	431-223-224

Ref#	Part#
10J141	431-223-225
10J142	431-223-226
10J143	426-700-100
10J144	426-700-172
10J145	426-700-160
10J146	426-700-170
10J147	426-700-174
10J148	426-700-176
10J149	426-700-098
10J157	422-200-050
10J158	416-700-170
10J159	422-200-053
10J160	416-700-172
10J161	422-200-056
10J162	416-700-174
10J163	422-200-059
10J164	416-700-176
10J165	416-700-178
10J166	416-700-180
10J167	416-700-182
10J168	416-700-184
10J169	416-700-186
10J170	634-100-390
10J171	634-100-395
10J300	412-200-130
10J301	412-200-135
10J302	412-200-140
10J350	412-800-115
10J351	412-800-120
10J352	412-800-125
10J353	412-800-130
10J450	411-800-100
10J451	411-800-120
10J452	411-800-140
10J453	411-800-160
10J454	411-800-180
10J500	411-800-260
10J501	411-800-270
10J502	411-800-280
10J503	411-800-290
10J504	411-800-300
10J532	634-100-325
10J533	634-100-326
10J534	634-100-327
10J535	634-100-328
10J536	634-100-329
10J537	634-100-330

## Sales Reference Listing

Ref#	Part#
10J538	634-600-000
10J539	412-200-160
10J540	412-200-165
10J541	412-200-170
10J542	412-200-180
10J543	634-600-001
10J719	422-901-175
10J720	422-901-176
10J721	422-901-177
10J722	422-901-178
10J723	431-223-151
10J724	431-223-152
10J725	431-223-153
10J726	431-223-154
10J727	431-223-155
10J728	431-223-156
10J729	431-223-160
10J730	431-223-161
10J731	431-223-162
10J732	431-223-163
10J733	431-223-164
10J734	431-223-240
10J735	431-223-245
10J736	431-223-246
10J737	431-223-247
10J738	431-223-248
10J739	431-223-249
10J740	431-223-270
10J741	431-223-271
10J742	431-223-272
10J743	431-223-273
10J744	431-223-274
10Q001	643-900-050
10Q002	643-900-025
10Q003	643-900-105
10Q004	643-900-095
10Q005	643-900-045
10Q006	643-900-040
10Q007	643-900-100
10Q008	643-900-030
10Q009	643-900-060
10Q010	643-900-065
10Q011	643-900-110
10Q012	643-900-005
10Q013	643-900-010
10Q014	643-900-035
10Q015	643-900-085

Ref#	Part#
10Q016	643-900-080
10Q017	643-900-055
10Q018	643-900-015
10Q019	643-900-070
10Q020	643-900-115
10Q021	643-900-090
10Q022	643-900-020
10Q023	643-900-075
10Q024	643-900-300
10Q025	643-900-305
10Q026	643-900-310
10Q027	643-900-315
10Q028	643-900-008
10Q029	643-900-006
10Q030	643-900-007
10Q031	643-900-011
11B000	591-125-542
11B001	591-125-543
11B002	591-125-544
11B003	591-125-545
11B004	591-125-546
11B005	591-125-547
11B006	591-125-820
11B007	591-125-821
11B008	591-125-822
11B009	591-125-823
11B016	591-125-910
11B017	591-125-911
11B018	591-125-912
11B019	591-125-913
11B020	591-125-914
11B021	591-125-915
11B022	591-125-916
11B030	591-126-616
11B031	591-126-617
11B032	591-126-618
11B033	591-126-619
11B036	591-126-620
11B037	591-126-621
11B038	591-126-622
11B039	591-126-623
11B040	591-126-572
11B041	591-126-573
11B042	591-221-054
11B043	591-221-102
11B044	591-221-104
11B045	591-221-106

Ref#	Part#
11B046	591-221-108
11B047	591-221-110
11B048	591-221-115
11B049	591-221-120
11B050	591-221-121
11B051	591-221-122
11B052	591-221-125
11B053	591-221-126
11B054	591-221-127
11B055	591-221-230
11B056	591-221-231
11B057	591-221-232
11B058	591-221-233
11B059	591-221-234
11B060	591-221-235
11B061	591-221-236
11B062	591-221-240
11B063	591-221-260
11B064	591-221-261
11B065	591-221-262
11B066	591-221-263
11B067	591-221-264
11B068	591-221-265
11B069	591-221-266
11B070	591-221-260
11B071	591-221-261
11B072	591-221-262
11B073	591-221-263
11B074	591-221-264
11B075	591-221-265
11B076	591-221-266
11B077	591-221-270
11B078	591-221-271
11B079	591-221-280
11B080	591-221-281
11B082	591-221-283
11B083	591-222-020
11B084	591-222-021
11B085	591-222-022
11B086	591-222-025
11B087	591-222-029
11B088	591-222-030
11B089	591-222-031
11B090	591-222-032
11B091	591-222-033
11B092	591-222-040
11B093	591-222-041

Ref#	Part#
11B094	591-222-042
11B095	591-222-043
11B096	591-222-044
11B097	591-222-045
11B098	591-222-046
11B099	591-222-048
11B100	591-222-049
11B101	591-222-050
11B102	591-222-051
11B103	591-222-052
11B104	591-222-053
11B105	591-222-054
11B106	591-222-055
11B107	591-222-056
11B108	591-222-057
11B109	591-222-058
11B110	591-222-059
11B111	591-222-060
11B112	591-222-061
11B113	591-222-062
11B114	591-222-063
11B115	591-222-064
11B116	591-222-065
11B117	591-222-066
11B118	591-222-067
11B119	591-222-070
11B120	591-222-071
11B121	591-222-072
11B122	591-222-073
11B126	591-419-198
11B127	591-419-199
11B128	591-550-157
11B129	591-550-159
11B130	591-550-162
11B131	591-550-240
11B132	591-550-241
11B133	591-550-249
11B134	591-550-269
11B135	591-602-913
11B136	591-602-914
11B137	591-608-915
11B138	591-632-612
11B139	590-735-109
11B140	591-638-850
11B141	591-638-851
11B142	591-638-855
11B143	591-641-850



## Sales Reference Listing

Ref#	Part#
11B144	591-641-865
11B145	591-706-185
11B146	591-706-214
11B147	591-706-222
11B148	591-706-223
11B149	591-706-226
11B150	591-706-240
11B153	550-320-219
11B154	592-243-200
11B155	592-243-216
11B156	592-243-217
11B157	592-400-025
11B158	592-800-001
11B159	592-800-002
11B161	592-800-007
11B162	592-800-008
11B163	592-800-009
11B164	592-800-010
11B165	592-800-011
11B168	560-528-992
11B169	560-529-052
11B170	560-529-018
11B171	560-529-019
11B172	386-700-355
11B174	591-126-615
11B175	450-014-819
11B176	452-800-449
11B177	591-222-095
11B180	560-528-987
11B181	330-054-302
11B182	330-054-300
11B183	386-700-359
11B186	381-354-523
11B187	382-930-109
11B188	591-124-002
11B190	330-056-632
11B193	322-200-240
11B194	322-200-245
11B195	322-200-250
11B196	322-200-255
11B197	385-600-225
11B198	591-222-115
11B199	460-039-867
11B200	122-800-001
11B201	122-800-002
11B202	122-800-003
11B203	122-800-004

Ref#	Part#
11B204	312-200-100
11B205	312-200-110
11B206	312-200-130
11B207	382-200-300
11B208	382-200-305
11B209	560-234-499
11B210	560-234-525
11B213	452-100-101
11B214	452-100-102
11B215	452-100-103
11B216	452-100-104
11B217	452-100-080
11B218	452-100-111
11B219	412-200-130
11B220	412-200-135
11B221	412-200-140
11B224	322-200-220
11B225	322-200-225
11B226	322-200-230
11B227	322-200-235
11B228	382-200-390
11B229	450-030-779
11B230	450-030-780
11B232	450-030-769
11B233	411-400-155
11B234	411-400-160
11B235	411-400-175
11B236	411-400-145
11B237	411-400-150
11B238	411-400-170
11B239	411-400-142
11B240	411-400-165
11B241	450-030-786
11B242	590-317-603
11B243	590-317-602
11B244	450-021-240
11B245	450-021-241
11B246	450-021-242
11B247	450-021-243
11B248	450-021-244
11B249	450-021-245
11B250	450-021-246
11B251	450-030-475
11B252	450-030-474
11B253	450-003-730
11B254	450-003-731
11B255	450-003-732

Ref#	Part#
11B256	450-003-733
11B257	450-003-734
11B258	450-003-735
11B259	450-003-742
11B260	450-003-736
11B261	450-003-737
11B262	450-003-738
11B263	450-003-739
11B264	450-003-740
11B265	450-003-741
11B266	450-030-810
11B267	450-021-256
11B268	450-021-257
11B269	450-021-258
11B270	450-021-259
11B271	450-021-260
11B272	450-021-261
11B273	450-021-262
11B274	451-800-120
11B275	451-800-121
11B276	451-800-122
11B277	451-800-123
11B278	451-800-124
11B279	451-800-039
11B280	381-700-240
11B281	381-700-245
11B282	381-700-250
11B283	381-700-255
11B284	381-700-260
11B285	452-800-451
11B286	452-800-452
11B287	452-800-453
11B288	591-222-096
11B289	591-222-097
11B290	591-222-098
11B291	450-014-820
11B292	450-014-821
11B293	450-014-822
11B294	450-021-255
11B295	450-003-575
11B296	590-735-154
11B297	450-003-576
11B298	385-600-097
11B299	450-003-577
11B300	385-700-225
11B301	450-003-578
11B302	590-317-550

Ref#	Part#
11B303	450-003-579
11B304	591-221-272
11B305	591-126-556
11B306	591-126-557
11B307	450-020-494
11B308	382-800-281
11B309	512-200-022
11B310	512-200-023
11B311	385-700-218
11B312	560-529-055
11B313	560-529-056
11B314	450-021-205
11B315	450-003-580
11B316	450-003-581
11B317	423-300-420
11B318	312-804-420
11B319	322-800-145
11B320	322-800-146
11B321	322-800-147
11B322	322-800-148
11B323	122-800-010
11B324	122-800-011
11B325	122-800-012
11B326	122-800-013
11B327	382-200-372
11B328	312-200-140
11B329	315-700-050
11B330	315-700-070
11B331	315-700-090
11B332	315-700-080
11B333	315-700-060
11B334	385-700-205
11B335	385-700-200
11B337	450-030-927
11B338	450-020-200
11B339	450-020-205
11B340	450-020-210
11B341	450-020-215
11B342	385-700-215
11B343	450-020-225
11B344	340-003-900
11B345	340-003-902
11B346	340-003-904
11B347	590-317-613
11B348	385-700-220
11B349	591-000-070
11B350	591-000-072

## Sales Reference Listing

Ref#	Part#
11B351	450-020-220
11B352	385-600-099
11B354	387-800-500
11B355	386-700-358
11B356	316-700-200
11B357	316-700-201
11B358	316-700-202
11B359	316-700-075
11B360	316-700-065
11B361	316-700-070
11B362	316-700-203
11B363	386-700-250
11B378	386-700-266
11B385	386-700-336
11B386	386-700-337
11B387	386-700-338
11B388	386-700-339
11B389	450-020-170
11B390	450-020-172
11B391	450-020-160
11B392	386-700-340
11B393	386-700-341
11B394	386-700-342
11B395	386-700-343
11B396	450-020-182
11B397	450-020-184
11B398	450-020-186
11B399	560-234-491
11B400	560-234-492
11B401	560-234-493
11B402	560-234-494
11B403	560-234-495
11B404	560-234-532
11B405	560-234-496
11B406	560-234-534
11B407	560-234-536
11B408	560-234-538
11B409	560-234-540
11B410	560-234-542
11B411	560-234-544
11B412	560-234-497
11B413	560-234-546
11B414	386-700-344
11B415	550-320-060
11B416	550-320-061
11B417	550-320-062
11B418	550-320-063

Ref#	Part#
11B419	460-003-785
11B420	460-003-786
11B421	460-003-787
11B422	460-003-788
11B423	550-320-076
11B424	550-320-077
11B425	550-320-078
11B426	550-320-079
11B427	550-320-083
11B428	550-320-084
11B429	550-320-085
11B430	550-320-086
11B431	550-320-089
11B432	550-320-090
11B433	550-320-160
11B434	550-320-161
11B435	550-320-162
11B436	550-320-163
11B437	591-126-588
11B438	591-126-589
11B439	591-126-590
11B440	591-126-591
11B441	591-222-036
11B442	591-222-037
11B443	591-222-038
11B444	591-222-039
11B445	381-354-527
11B446	560-529-058
11B447	550-320-152
11B448	386-700-360
11B451	550-320-091
11B452	550-320-067
11B453	389-900-103
11B454	510-811-660
11B455	510-811-661
11B456	592-800-005
11B459	381-354-356
11B460	381-354-357
11B461	381-354-358
11B462	381-354-359
11B463	381-354-360
11B464	381-354-361
11B471	381-354-581
11B478	167-900-006
11B479	167-900-007
11B480	167-900-008
11B485	167-900-013

Ref#	Part#
11B486	167-900-014
11B487	167-900-015
11B492	167-900-020
11B493	167-900-021
11B494	167-900-022
11B495	386-700-852
11B496	386-700-851
11B521	381-354-582
11B522	381-354-583
11B523	381-354-584
11B524	381-354-585
11B525	382-200-430
11B527	386-700-854
11B528	381-354-586
11B529	321-114-315
11B530	321-114-316
11B531	321-114-317
11B532	321-114-318
11B533	321-114-319
11B534	316-700-245
11B535	316-700-250
11B536	316-700-260
11B537	316-700-265
11B538	381-354-625
11B539	381-354-626
11B540	381-354-627
11B541	381-354-628
11B542	381-354-629
11B543	381-354-630
11B544	381-354-631
11B567	590-735-153