

# THE SHARK<sup>®</sup>

Series

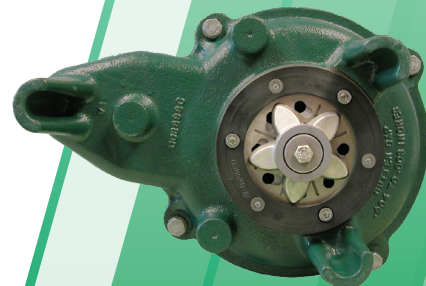
# Model 840

## AUTO-REVERSING GRINDER PUMP

- Hardened 440C stainless steel cutter and disc
- Cutter reverses, automatically alternates direction to extend blade life and free hang-ups (automatic or manual)
- Moisture detection probes
- 1 Phase – integral thermal overload
- 3 Phase – thermal sensor and leads
- Oil-filled, hermetically sealed motor with Class F insulation
- 1-1/4" NPT vertical discharge
- Vortex impeller: Ductile iron
- Buna-N O-rings
- Dual mechanical shaft seals with leak detection – carbon/ceramic
- Preassembled systems available
- Explosion proof models available

**100%** Factory Tested prior to shipment.

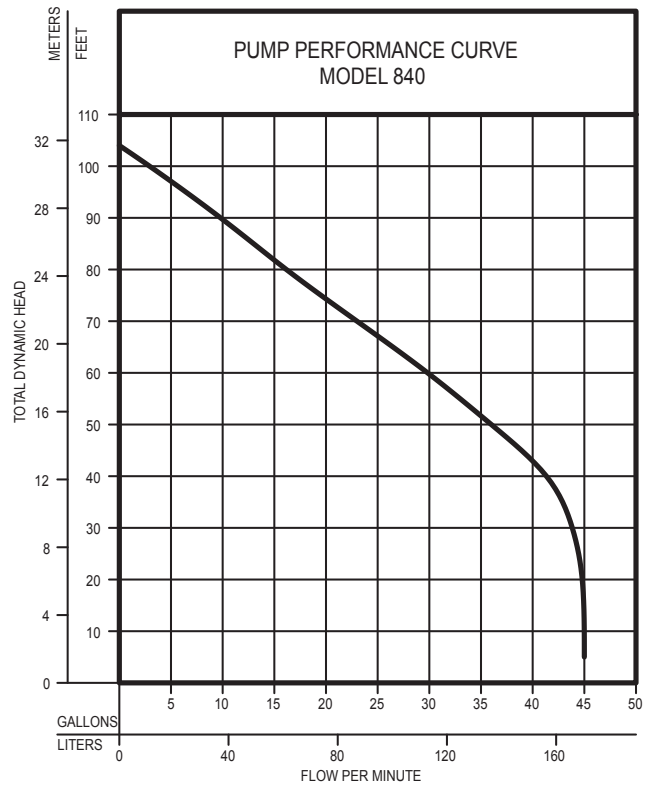
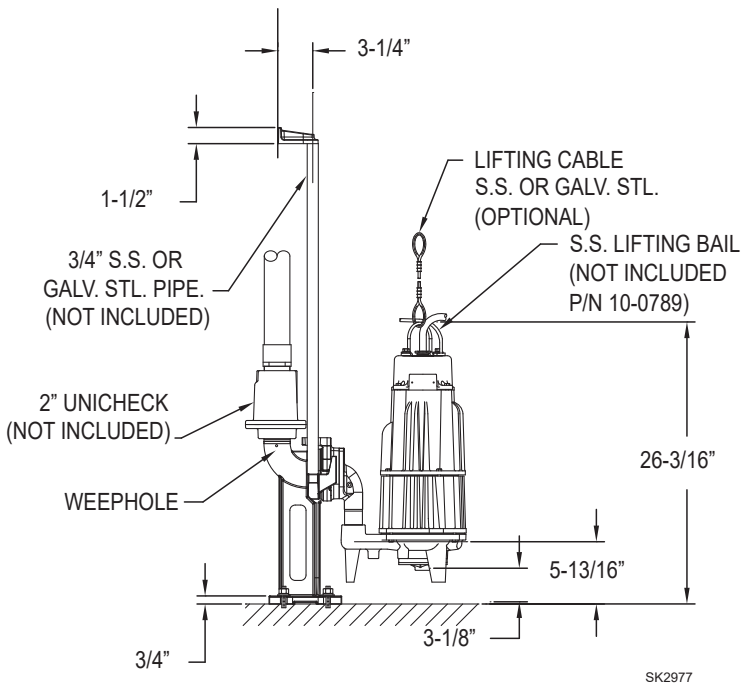
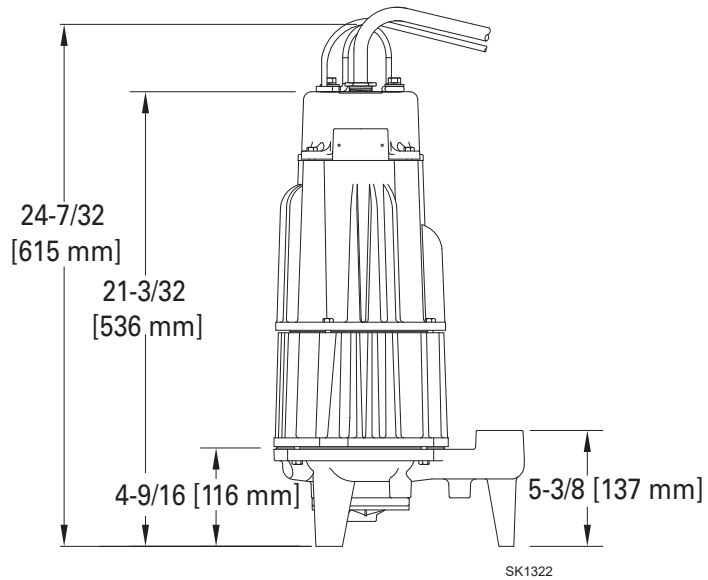
(Certified testing available. Consult factory representative for more information.)



**ZOELLER**<sup>®</sup>  
PUMP COMPANY



Trusted. Tested. Tough.<sup>®</sup>



Certified to CSA  
 Standard C22.2  
 No. 108.



009960