

Product information presented here reflects conditions at time of publication. Consult factory regarding discrepancies or inconsistencies.

**COMPARE THESE FEATURES**

- Float is constructed of impact-resistant and non-corrodible PVC/polypropylene encasing.
- Standard mechanical variable level control switches are rated for 115/230V, 5 amps.
- 18/2 Type SJOW CPE Cord-Standard
- Cords are available in 15-20-25-35-50 foot lengths.
- Temperature rating of 140 °F (60 °C) , 10-4849 high temp 180 °F (82 °C )
- Low current switches for Class I, Division 1, Group C & D locations and Class Zone 1, Group IIA & IIB when used in intrinsically safe circuits and rated for 30 VDC, 0.1 Amps
- Approximately 1/2" liquid level differential in switching action
- Normally open when hanging vertically above liquid level. Switch closes when it reaches a few degrees above the horizontal position.

**APPLICATIONS**

- Switch for Simplex, Duplex or more pump control on Electrical Alternating Control Panel systems for dewatering, effluent and sewage applications.
- Switch for A-Pak
- High Level Alarm Switch

**ADJUSTABLE WEIGHT: (P/N 10-0689)**

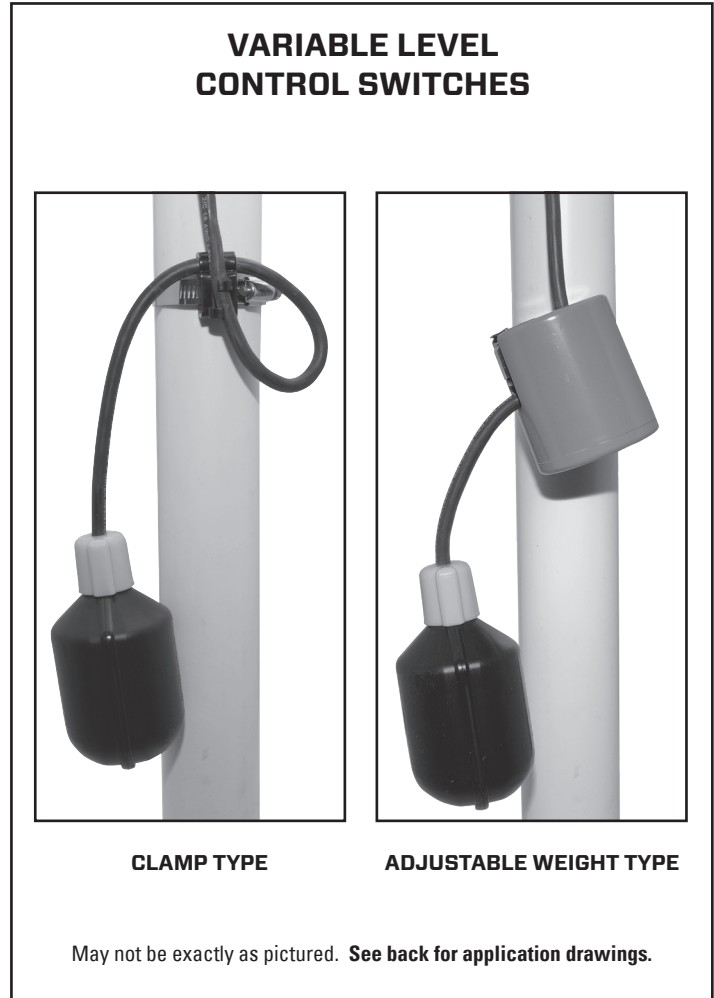
- Provides an accurate pivot point for suspended float switches
- Gripper teeth on clip and weight channel securely lock float cable into place.
- Cable weight can be adjusted without the use of tools.

**HOUSING:** 1 lb. 12 oz. (0.8 kg) 2.8" x 3.3" (7.1 cm x 8.4 cm)

**CLIP:** Injection-molded acetal plastic

**WIRE/CABLE ACCOMODATED:** SJOW, SJTW, 18/2, 16/3, 14/4, 14/2

**SHIP WEIGHT:** 2 lbs. (32 oz)



| FLOAT SWITCHES      |                   |             |                   |
|---------------------|-------------------|-------------|-------------------|
| Mechanical          |                   | Cord Length | Mounting Method   |
| Standard P/N*       | Low Current P/N** |             |                   |
| 10-0743             | 10-2060           | 15          | Clamp             |
| 10-0744             | 10-2061           | 20          | Clamp             |
| 10-1877             | 10-2062           | 25          | Clamp             |
| 10-1878             | 10-2063           | 35          | Clamp             |
| 10-1879             | 10-2064           | 50          | Clamp             |
| 10-4849 (High Temp) | N/A               | 50          | Clamp             |
| 10-2033             | 10-3284           | 20          | Adjustable Weight |
| 10-1881             | 10-2066           | 25          | Adjustable Weight |
| 10-1882             | 10-2067           | 35          | Adjustable Weight |
| 10-1883             | 10-2068           | 50          | Adjustable Weight |

| FLOAT SWITCH TREES |                          |             |                       |
|--------------------|--------------------------|-------------|-----------------------|
| Mechanical         |                          | Cord Length | Mounting Method       |
| Standard P/N*      | Intrinsically Safe P/N** |             |                       |
| 10-1456            | 10-1456                  | ---         | Tree Only             |
| 10-1886            | 10-2069                  | 15          | (3) 15' Floats & Tree |
| 10-1887            | 10-2070                  | 15          | (4) 15' Floats & Tree |

\* Do not use with intrinsically safe control systems.

\*\* For use with intrinsically safe control systems only.

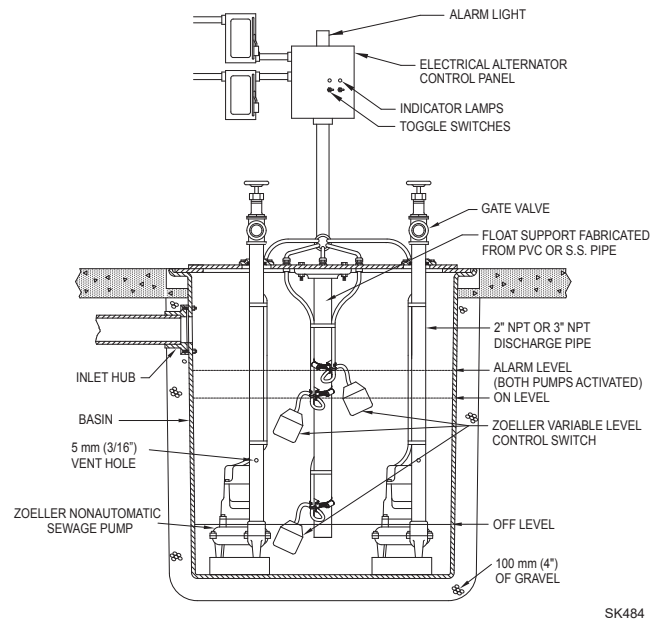
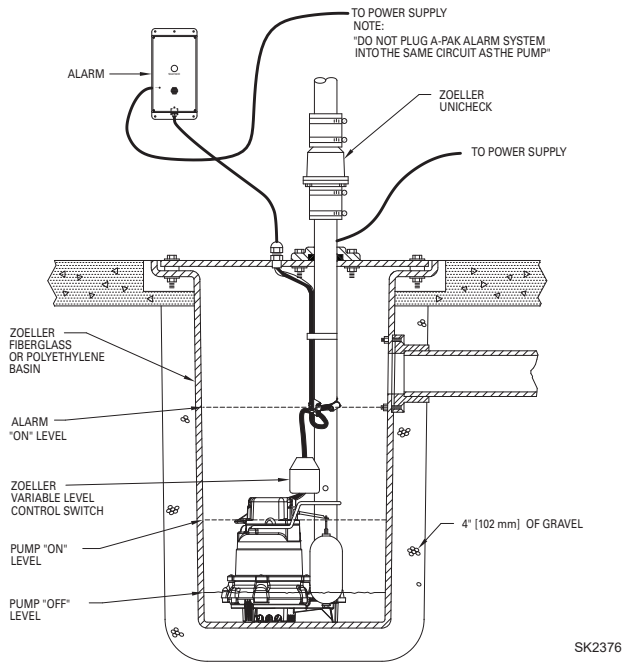
# TYPICAL APPLICATIONS

Switch for APak®, High Level Alarm Switch.

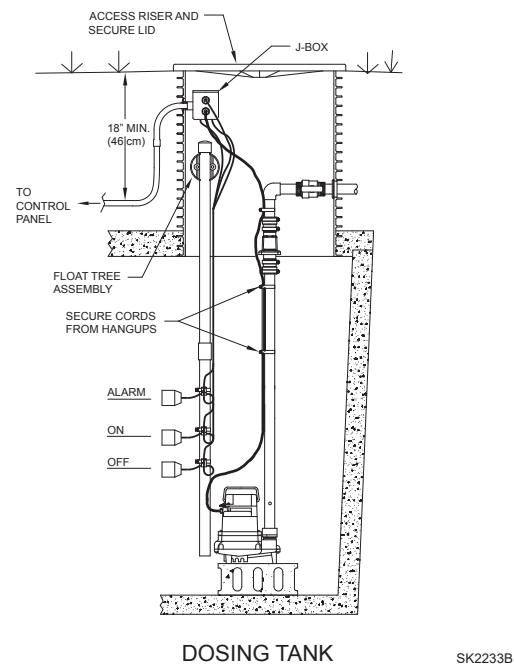
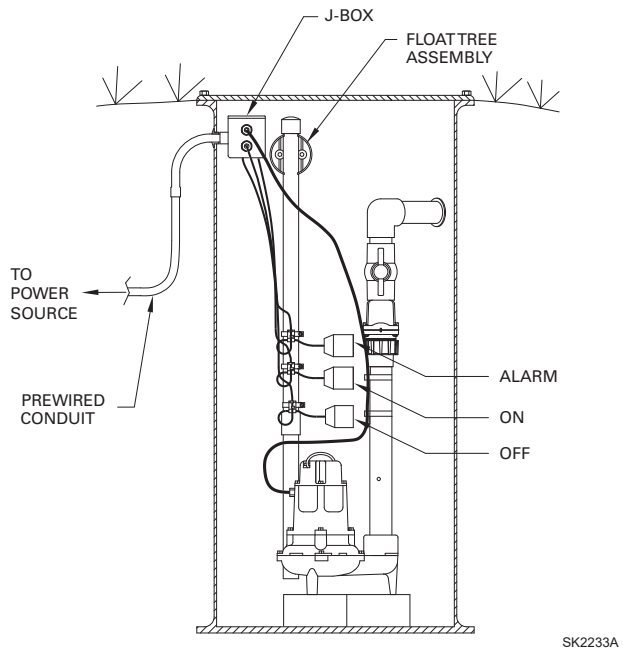
## SIMPLEX SYSTEM

| Voltage | APak®   | Variable Level Control Switch |
|---------|---------|-------------------------------|
| 115 V   | 10-4012 | 10-0743                       |

## DUPLEX ELECTRICAL ALTERNATING SYSTEM



## FLOAT TREE ASSEMBLIES



For information on additional Zoeller products refer to catalog on Electrical Alternator, FM0486; Single Phase Simplex Control/Alarm Systems, FM0732; and Simplex Controller, FM0731.



**WARNING** All electrical systems must be installed by a qualified licensed electrician according to the National Electrical Code.



MAIL TO: P.O. BOX 16347 • Louisville, KY 40256-0347  
SHIP TO: 3649 Cane Run Road • Louisville, KY 40211-1961  
Tel: (502) 778-2731 • 1 (800) 928-PUMP

Trusted. Tested. Tough.®

Visit our website:  
zoellerpumps.com