

Job/Customer \_\_\_\_\_ Date \_\_\_\_\_ Contractor \_\_\_\_\_  
 Model Specified \_\_\_\_\_ Qty \_\_\_\_\_ Architect/Engineer \_\_\_\_\_ Date \_\_\_\_\_  
 Variations Specified \_\_\_\_\_ Submitted By \_\_\_\_\_ Date \_\_\_\_\_  
 Customer/Wholesaler \_\_\_\_\_ Approved By \_\_\_\_\_ Date \_\_\_\_\_  
 Comments/Notes \_\_\_\_\_

Webstone Co. Inc.  
 Tel: (800) 225 9529  
 Fax: (800) 336 5133



**Webstone**  
 Company, Inc.

**5061 SERIES**

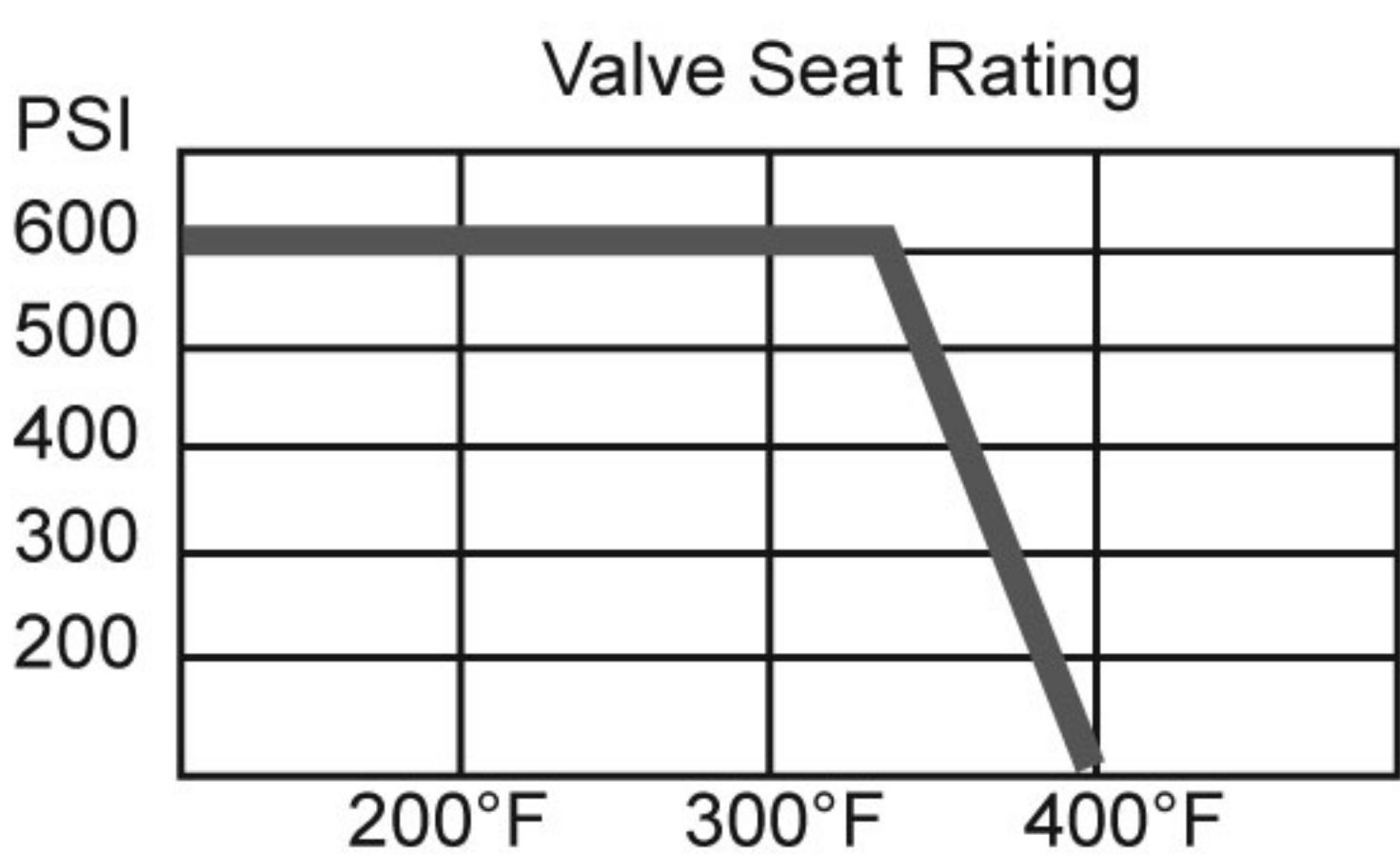
**FULL PORT FORGED BRASS BALL VALVES  
 WITH HI-FLOW HOSE DRAIN - CxC  
 (400 WOG) 150 WSP - ISO 9001**

**PATENT PENDING**

Designed for residential, commercial and industrial use with water, oil or gas. Designed by Webstone for the ProPal series of valves, this valve saves time and money when installed in any system that requires a drain. Ideal for use directly after a water meter to isolate a home and purge the system. Heavy duty forged brass body. Hard chrome plated brass balls with Teflon® seats. The valve is actuated by a blowout proof stems with a Teflon® seal that features an adjustable packing nut. Vinyl coated stamped steel handle and an epoxy coated aluminum handle. Lever handle is reversible.



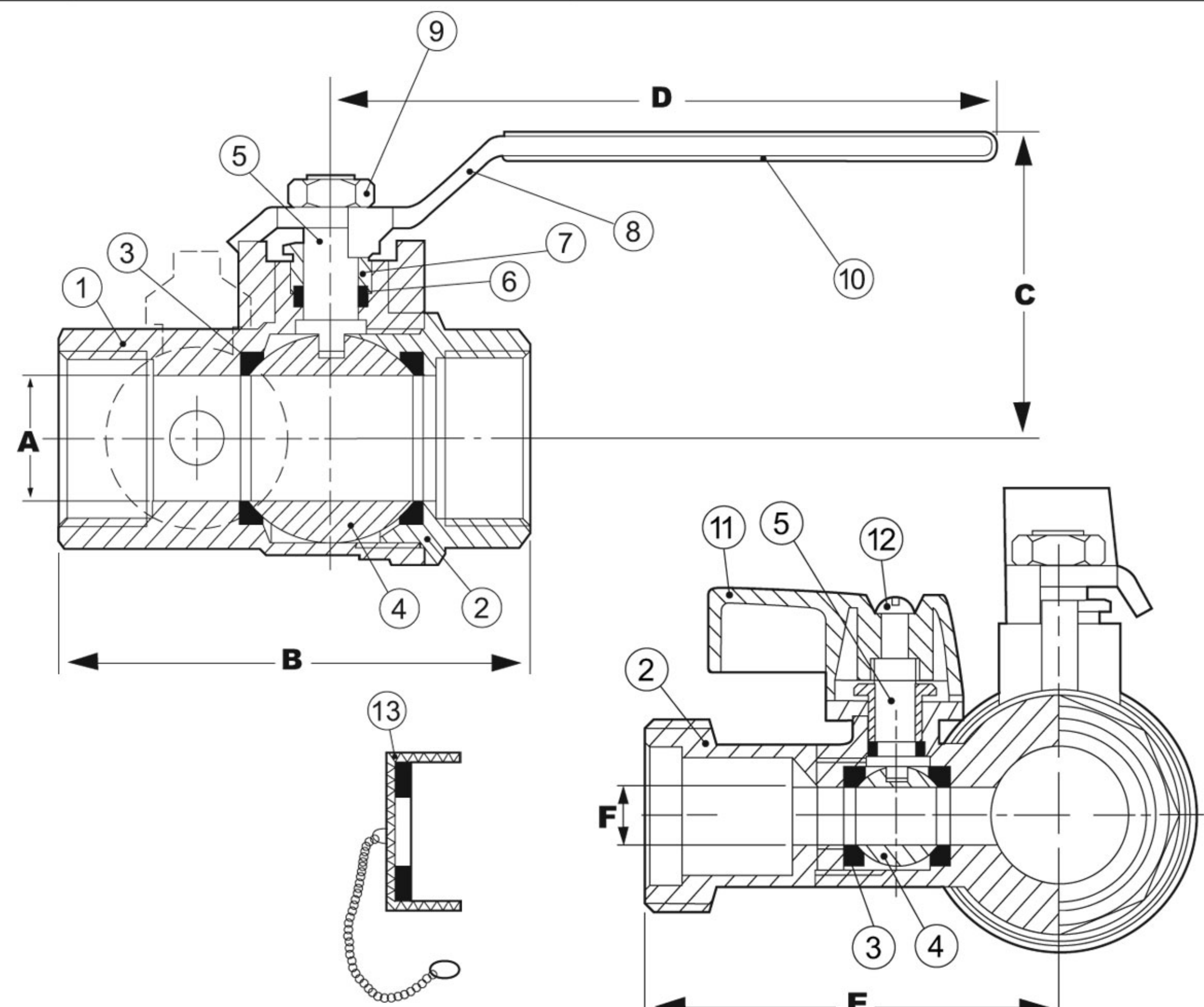
1.	BODY	FORGED BRASS (ASTM B283-C37700)
2.	END CAP	FORGED BRASS (ASTM B283-C37700)
3.	SEATS	TEFLON® (PTFE)
4.	BALL	BRASS / HARD CHROME PLATE
5.	STEM	BRASS (ASTM B124-C37700)
6.	STEM SEAL	TEFLON® (PTFE)
7.	PACKING GLAND	BRASS (ASTM B124-C37700)
8.	HANDLE	C.P. STEEL
9.	HANDLE NUT	VINYL GRIP
10.	HANDLE JACKET	BRASS (ASTM B124-C37700)
11.	DRAIN VALVE HANDLE	BRASS (ASTM B124-C37700)
12.	DRAIN VALVE HANDLE SCREW	BRASS (ASTM B124-C37700)
13.	CAP+CHAIN	BRASS (ASTM B124-C37700) w/NBR HOSE WASHER



**PRESSURE RATING**

600 WOG non-shock  
 150 WSP

1. Threaded ends comply with ANSI B1.20.1
2. Hose end complies with ANSI B1.20.7
3. Teflon® seats withstand temperatures from -40°F to 400°F
4. Manufactured in an ISO 9001 Facility



ITEM	SIZE	CTN/CS	A	B	C	D	E	F
50612	1/2	10/100	1/2	2 3/4	1 6/8	3 3/8	2 9/16	1/4
50613	3/4	10/60	3/4	3 1/4	1 3/4	4 1/8	2 3/8	1/2
50614	1	6/48	1	4	2 1/4	4 7/8	2 5/8	1/2
50615	1 1/4	4/32	1 1/4	4 7/8	2 5/8	4 7/8	2 7/8	3/4
50616	1 1/2	2/24	1 1/2	5 3/8	2 7/8	5 3/8	3	3/4
50617	2	2/16	2	6 1/8	3 1/4	5 3/8	3 3/8	3/4

Webstone product specifications in U.S. customary units are approximate and are provided for reference only. For precise measurements, please contact Webstone Technical Service. Webstone reserves the right to change or modify product design, construction, specifications or materials without prior notice and without incurring any obligation to make such changes and modifications on Webstone products previously or subsequently sold. Teflon® is a registered trademark of DUPONT. Pro-pal is a registered trademark of Webstone Company Inc..