

# DAYTON SPECIFICATIONS

## Dayton® Undermount Double Bowl Sink Model DXUH3118

### GENERAL

Sink bowls are formed of #18 gauge nickel bearing stainless steel.

### DESIGN FEATURES

Bowl Depth: 8".

Finish: Exposed surfaces are polished to a satin finish.

Underside: Fully undercoated to dampen sound and prevent condensation.

### OTHER

Drain Openings: 3-1/2".

NOTE: All Dayton undermount sinks are designed to affix easily to the underside of any solid surface countertop.

Made in the U.S.A.

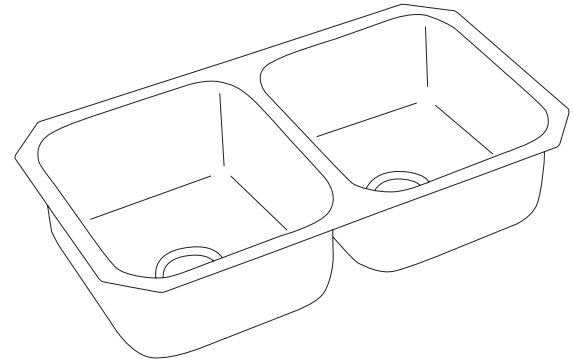
This sink complies with ANSI Standard A112.19.3M.

### SINK DIMENSIONS (INCHES)\*

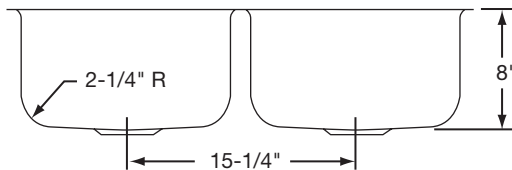
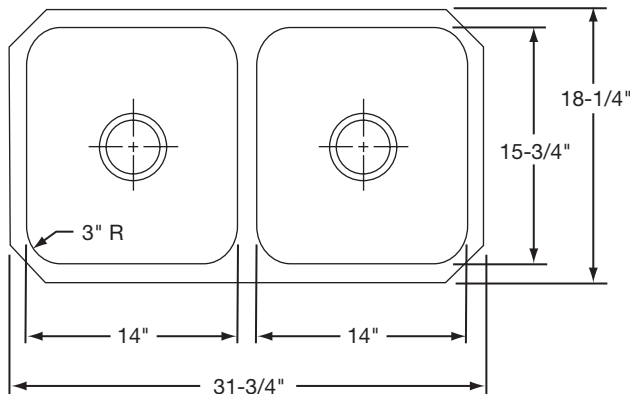
Model Number	Overall		Inside Each Bowl			Cutout in Countertop	Minimum Cabinet Size
	L	W	L	W	D		
DXUH3118	31 <sup>3</sup> / <sub>4</sub>	18 <sup>1</sup> / <sub>4</sub>	14	15 <sup>3</sup> / <sub>4</sub>	8	See Template**	36

\*Length is left to right. Width is front to back.

\*\*Template and countertop mounting clips are packed with every sink.



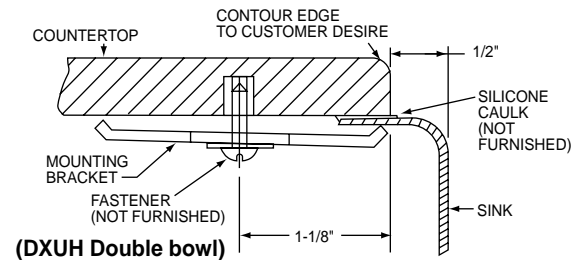
Model DXUH3118



Model DXUH3118 Illustrated

### Installation Profile of DXUH Double Bowl Model

The template provided with each DXUH sink provides the only type of installation recommended by Elkay.



ALL DIMENSIONS IN INCHES, TO CONVERT TO MILLIMETERS MULTIPLY BY 25.4.

In keeping with our policy of continuing product improvement, Elkay reserves the right to change product specifications without notice.

This specification describes an Elkay product with design, quality and functional benefits to the user. When making a comparison of other producers' offerings, be certain these features are not overlooked.