

DAYTON SPECIFICATIONS

Dayton® Undermount Single Bowl Sink Model DXUH1210

GENERAL

Sink bowl is formed of #18 gauge nickel bearing stainless steel.

DESIGN FEATURES

Bowl Depth: 6-1/2".

Finish: Exposed surfaces are polished to a satin finish.

Underside: Fully undercoated to dampen sound and prevent condensation.

OTHER

Drain Opening: 3-1/2".

NOTE: All Dayton undermount sinks are designed to affix easily to the underside of any solid surface countertop.

Made in the U.S.A.

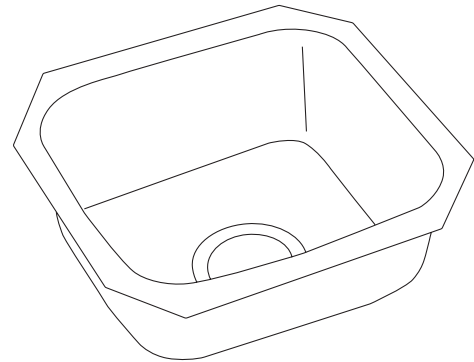
This sink complies with ANSI Standard A112.19.3M.

SINK DIMENSIONS (INCHES)*

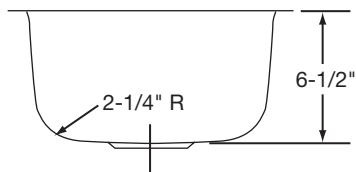
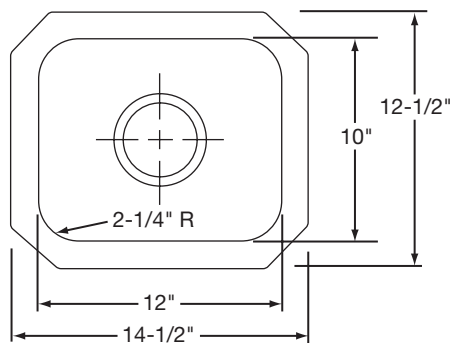
Model Number	Overall		Inside Bowl			Cutout in Countertop	Minimum Cabinet Size
	L	W	L	W	D		
DXUH1210	14 1/2	12 1/2	12	10	6 1/2	See Template**	18

*Length is left to right. Width is front to back.

**Template and countertop mounting clips are packed with every sink.

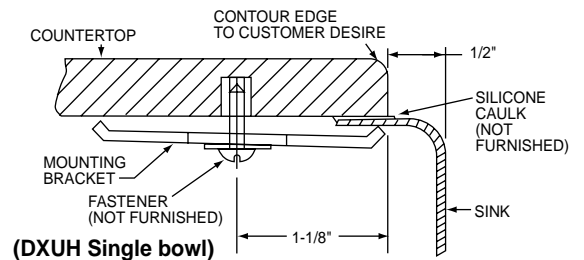


Model DXUH1210



Installation Profile of DXUH Single Bowl Model

The template provided with each DXUH sink provides the only type of installation recommended by Elkay.



ALL DIMENSIONS IN INCHES, TO CONVERT TO MILLIMETERS MULTIPLY BY 25.4.

In keeping with our policy of continuing product improvement, Elkay reserves the right to change product specifications without notice.

This specification describes an Elkay product with design, quality and functional benefits to the user. When making a comparison of other producers' offerings, be certain these features are not overlooked.