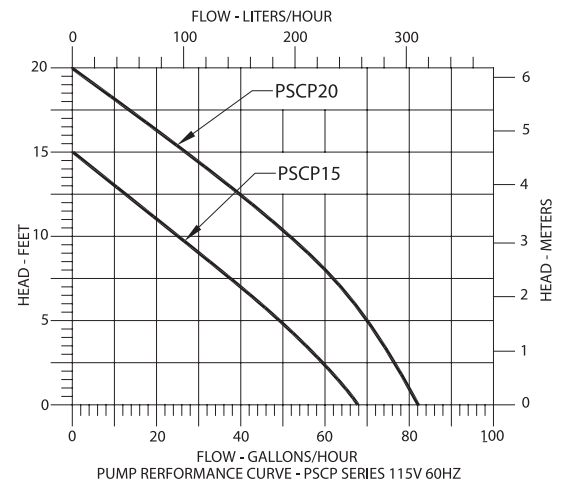
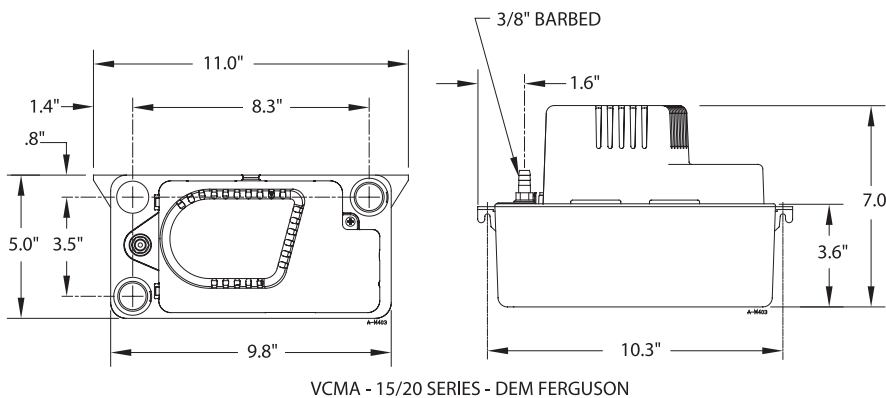


HVAC CONDENSATE REMOVAL SYSTEM

Series Specifications

- ABS tank, motor cover and volute
- 1/2 gal rust-proof ABS tank capacity
- Stainless steel shaft
- Automatic snap-action switch
- Removable 3/8" (9.5 mm) barbed check valve
- Reversible tank cover with 3 inlet drain holes for flexible installation
- Intermittent liquid temperature up to 140°F
- Thermal overload protection
- Includes 20' (6.1 m) of 3/8" ID (9.5 mm) tubing (PSCP15WS20T and PSCP20WS20T only)
- Safety switch
- 6' power cord with 3-prong molded plug

**PSCP15
PSCP15WS
PSCP15WS20T
PSCP20WS
PSCP20WS20T
PSCP20WS230**



Model	Listing(s)	HP	Volts	Hz	Amps	Running Watts	Gallons per Hour at Height				Shutoff	Weight (lbs)
							1'	5'	9'	15'		
PSCP15	UL/CSA	1/50	115	60	1	60	65	50	30	—	15'	4.4
PSCP15WS	UL/CSA	1/50	115	60	1	60	65	50	30	—	15'	4.4
PSCP15WS20T*	UL/CSA	1/50	115	60	1	60	65	50	30	—	15'	5.5
PSCP20WS	UL/CSA	1/30	115	60	1.5	73	80	70	55	25	20'	5.0
PSCP20WS20T*	UL/CSA	1/30	115	60	1.5	73	80	70	55	25	20'	5.0
PSCP20WS230	UL/CSA	1/30	230	50/60	0.5	75	80	70	55	25	20'	6.0

*Includes 20' of 3/8" ID vinyl tubing

Warranty and Codes

This PROSELECT product carries a 1-year limited warranty.
This product is NSF/ANSI Std. 61 compliant

