

1 System Data Sheet

ProPress Fitting Systems



Viega ProPress may only be pressed onto copper tube in accordance with ASTM B88 or B75. When pressing onto B88 copper tube, types K, L, and M may be used. Tempers O60 and O50, known as “soft copper”, are limited to nominal sizes ½" to 1¼". Temper H58, known as “hard copper”, may be used with nominal sizes ½" to 4".



When pressing onto B75 copper tube, additional considerations apply. See [Viega ProPress Copper Tube Compatibility Tech Data](#).

ProPress fittings are available in elbows, couplings, reducers, tees, reducing tees, threaded adapters, unions, caps, and flanges. All threaded ½" to 2" fittings are Zero Lead bronze.

Operating Parameters

- Operating Pressure: 200 psi maximum
- Test Pressure: 600 psi maximum
- Operating Temperature: 0°F to 250°F

Listings and Certificates

- | | |
|-----------------|------------------------------------|
| ■ NSF/ANSI 61 | ■ ABS |
| ■ NSF/ANSI 372 | ■ CSA Low Lead Content |
| ■ IAPMO PS-117 | ■ ASME B16.51, B31.1, B31.3, B31.9 |
| ■ UL/ANSI 213 | ■ NFPA 13, 13D, 13R |
| ■ FM Class 1920 | |
| ■ ICC-ES IC1002 | |

Compliant With

- ASME B31
- ASTM B75
- ASTM B88
- IAPMO National Standard Plumbing Code (NSPC)
- IAPMO Uniform Mechanical Code (UMC)
- IAPMO Uniform Plumbing Code (UPC)
- ICC International Mechanical Code (IMC)
- ICC International Plumbing Code (IPC)
- ICC International Residential Code (IRC)
- NFPA 13, 13D, and 13R

Contact your local Viega representative for details on local approvals.

Approved Applications

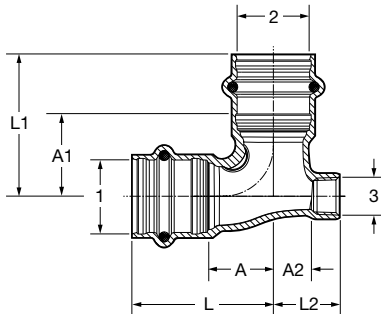
- Hot and cold potable water
- Rainwater/gray water
- Fire sprinkler (175 psi maximum)
- Chilled water
- Hydronic heating (with glycol)
- Low pressure steam (15 psi maximum)
- Ethanol
- Compressed Air
- Non-medical gases
- Vacuum (29.2" Hg maximum @ 68°F)

ProPress fittings are approved for installations in both above and below ground applications. Per code, local inspector approval must be obtained prior to installation below ground.

Smart Connect® Technology

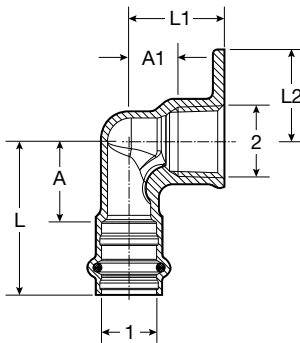
ProPress fittings are manufactured with Viega’s unique Smart Connect technology. Designed into the fitting itself, Viega Smart Connect technology allows identification of an unpressed fitting during pressure testing.

Viega ProPress Vent Elbow Zero Lead Bronze P x P x FPT - Model 2917.3ZL



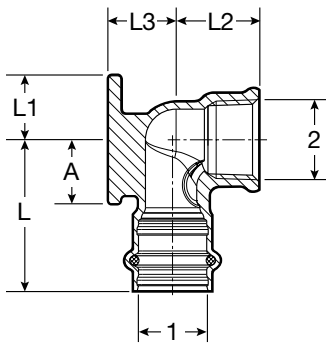
Part No.	Size (in)			A (in)	A1 (in)	A2 (in)	L (in)	L1 (in)	L2 (in)
	1	2	3						
79635	1/2	1/2	1/8	0.67	0.67	0.44	1.50	1.50	0.71
79640	3/4	3/4	1/8	0.83	0.83	0.54	1.73	1.73	0.81

Viega ProPress 90° Hi Ear Elbow Zero Lead Bronze P x FPT - Model 2925.2ZL



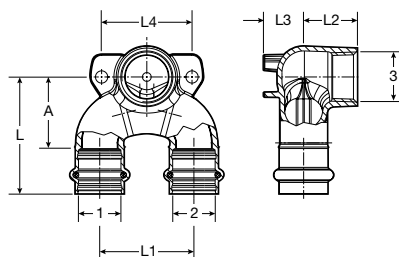
Part No.	Size (in)		A (in)	A1 (in)	L (in)	L1 (in)	L2 (in)
	1	2					
79205	1/2	1/2	0.94	0.57	1.77	1.10	1.07

Viega ProPress 90° Drop Ear Elbow Zero Lead Bronze P X FPT - Model 2925.5ZL



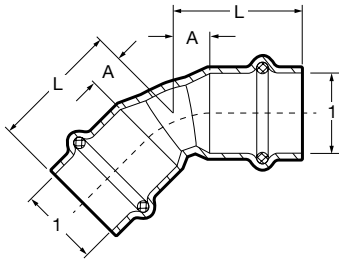
Part No.	Size (in)		A (in)	L (in)	L1 (in)	L2 (in)	L3 (in)
	1	2					
79185	1/2	3/8	0.94	1.77	0.74	0.83	0.67
79190	1/2	1/2	0.94	1.77	0.74	1.10	0.67
79195	3/4	3/4	1.06	1.97	0.83	1.12	0.83

Viega ProPress Double Drop Elbow Zero Lead Bronze P x P x FPT - Model 2928.7ZL



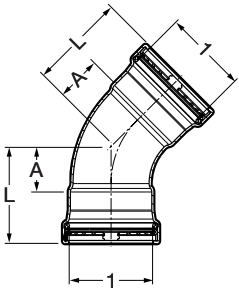
Part No.	Size (in)			A (in)	L (in)	L1 (in)	L2 (in)	L3 (in)	L4 (in)
	1	2	3						
78800	1/2	1/2	1/2	1.34	2.17	1.97	1.10	0.67	1.57
78802	3/4	3/4	1/2	1.54	2.44	1.97	1.10	0.83	2.05
78801	3/4	3/4	3/4	1.54	2.44	1.97	1.12	0.83	1.89
78803	1	1	1/2	1.77	2.68	2.36	1.10	0.87	2.52

Viega ProPress 45° Elbow Copper P x P - Model 2926



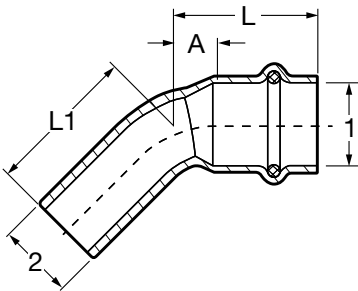
Part No.	Size (in)	A (in)	L (in)
	1 1		
77607	1/2 x 1/2	0.30	1.04
77023	3/4 x 3/4	0.36	1.26
77028	1 x 1	0.47	1.38
77033	1 1/4 x 1 1/4	0.58	1.61
77038	1 1/2 x 1 1/2	0.65	2.08
77043	2 x 2	0.86	2.44

Viega ProPress 45° P x P - Model 0926XL



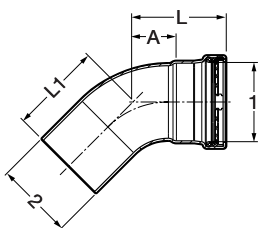
Part No.	Size (in)	A (in)	L (in)
	1 1		
20653	2 1/2 x 2 1/2	1.48	3.18
20658	3 x 3	1.73	3.70
20663	4 x 4	1.96	4.63

Viega ProPress 45° Street Elbow Copper P x FTG - Model 2926.1

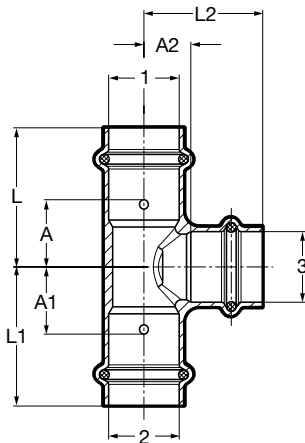


Part No.	Size (in)	A (in)	L (in)	L1 (in)
	1 2			
77637	1/2 x 1/2	0.31	1.06	1.10
77053	3/4 x 3/4	0.36	1.26	1.30
77058	1 x 1	0.47	1.38	1.49
77063	1 1/4 x 1 1/4	0.58	1.61	1.67
77068	1 1/2 x 1 1/2	0.65	2.08	2.04
77073	2 x 2	0.86	2.44	2.54

Viega ProPress 45° Street Elbow P x FTG - Model 0926.1XL

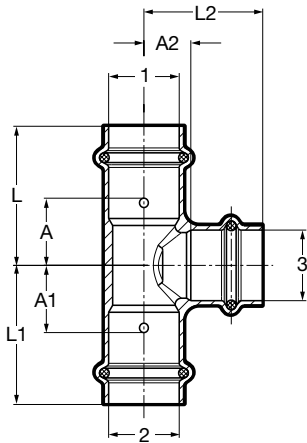


Part No.	Size (in)	A (in)	L (in)	L1 (in)
	1 2			
20668	2 1/2 x 2 1/2	1.48	3.18	3.10
20673	3 x 3	1.73	3.70	3.60
20678	4 x 4	2.23	4.59	4.45

Viega ProPress Tee Copper P x P x P - Model 2918


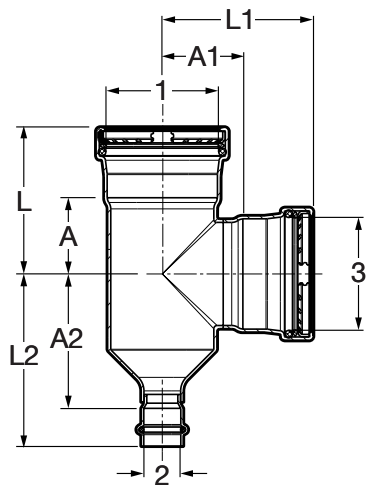
Part No.	Size (in)	A (in)	A1 (in)	A2 (in)	L (in)	L1 (in)	L2 (in)
	1 2 3						
77377	1/2 x 1/2 x 1/2	0.75	0.75	0.50	1.50	1.50	1.25
77382	1/2 x 1/2 x 3/4	0.91	0.91	0.59	1.65	1.65	1.50
15493	1/2 x 1/2 x 1	1.10	1.10	0.55	1.85	1.85	1.46
77387	3/4 x 3/4 x 3/4	0.85	0.85	0.59	1.75	1.75	1.50
77392	3/4 x 1/2 x 1/2	0.69	0.98	0.63	1.59	1.73	1.38
77397	3/4 x 1/2 x 3/4	0.85	1.14	0.59	1.75	1.89	1.50
77402	3/4 x 3/4 x 1/2	0.69	0.69	0.63	1.59	1.59	1.38
77407	3/4 x 3/4 x 1	0.97	0.97	0.63	1.87	1.87	1.54
77412	1 x 1 x 1	0.97	0.97	0.79	1.87	1.87	1.69
22263	1 x 1/2 x 3/4	0.85	1.24	0.75	1.76	1.99	1.66
94767	1 x 1/2 x 1	0.97	1.52	0.79	1.87	2.26	1.69
77417	1 x 3/4 x 1/2	0.69	0.89	0.79	1.59	1.79	1.54
77422	1 x 3/4 x 3/4	0.85	1.04	0.75	1.75	1.95	1.65
77427	1 x 3/4 x 1	0.97	1.18	0.78	1.87	2.07	1.69
77432	1 x 1 x 1/2	0.69	0.69	0.79	1.59	1.59	1.54
77437	1 x 1 x 3/4	0.85	0.85	0.75	1.75	1.75	1.65
15488	1 x 1 x 1 1/4	1.16	1.16	0.84	2.07	2.07	1.87
77442	1 1/4 x 1 1/4 x 1 1/4	1.02	1.02	0.86	2.05	2.05	1.89
22253	1 1/4 x 1/2 x 1 1/4	1.02	1.77	0.87	2.05	2.52	1.89
22243	1 1/4 x 3/4 x 1/2	0.64	1.13	0.93	1.68	2.03	1.68
22258	1 1/4 x 3/4 x 3/4	0.76	1.30	0.87	1.80	2.21	1.78
22268	1 1/4 x 3/4 x 1	0.88	1.40	0.91	1.91	2.31	1.82
22248	1 1/4 x 3/4 x 1 1/4	1.02	1.54	0.86	2.05	2.45	1.89
22238	1 1/4 x 1 x 1/2	0.64	0.91	0.93	1.68	1.82	1.68
94762	1 1/4 x 1 x 3/4	0.76	1.14	0.87	1.79	2.05	1.77
14568	1 1/4 x 1 x 1	0.88	1.28	0.91	1.91	2.19	1.81
94757	1 1/4 x 1 1/4 x 1/2	0.65	0.65	0.93	1.67	1.67	1.67
77452	1 1/4 x 1 1/4 x 3/4	0.77	0.77	0.89	1.79	1.79	1.77
77447	1 1/4 x 1 1/4 x 1	0.88	0.88	0.90	1.91	1.91	1.81
77457	1 1/2 x 1 1/2 x 1 1/2	1.13	1.13	1.13	2.56	2.56	2.56
79660	1 1/2 x 1 x 3/4	0.67	1.39	1.16	2.17	2.44	2.05
15458	1 1/2 x 1 x 1	0.74	1.54	1.06	2.17	2.44	1.97
15463	1 1/2 x 1 x 1 1/2	1.13	1.83	1.13	2.56	2.74	2.56
22233	1 1/2 x 1 1/4 x 3/4	0.67	1.08	1.15	2.09	2.11	2.05
15453	1 1/2 x 1 1/4 x 1	0.74	1.29	1.18	2.17	2.32	2.09
15483	1 1/2 x 1 1/4 x 1 1/4	0.86	1.33	1.13	2.28	2.36	2.17
15448	1 1/2 x 1 1/2 x 1/2	0.47	0.47	1.10	1.89	1.89	1.85
77462	1 1/2 x 1 1/2 x 3/4	0.66	0.66	1.14	2.09	2.09	2.05
77467	1 1/2 x 1 1/2 x 1	0.74	0.74	1.18	2.17	2.17	2.09
77472	1 1/2 x 1 1/2 x 1 1/4	0.86	0.86	1.13	2.28	2.28	2.17
77477	2 x 2 x 2	1.37	1.37	1.37	2.95	2.95	2.95

Continued on next page

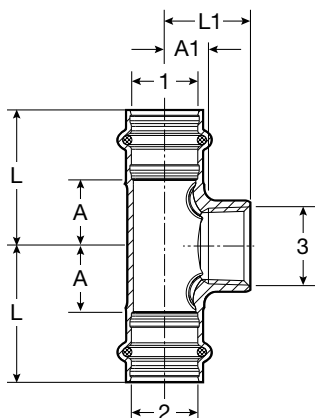
Viega ProPress Tee Copper P x P x P - Model 2918


Continued from previous page

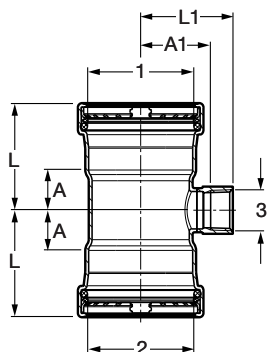
Part No.	Size (in)			A (in)	A1 (in)	A2 (in)	L (in)	L1 (in)	L2 (in)
	1	2	3						
15518	2	$1\frac{1}{4}$	$1\frac{1}{4}$	0.94	1.84	1.33	2.52	2.87	2.36
15513	2	$1\frac{1}{2}$	$\frac{3}{4}$	0.70	1.25	1.38	2.28	2.68	2.28
15498	2	$1\frac{1}{2}$	1	0.82	1.45	1.38	2.40	2.87	2.28
15508	2	$1\frac{1}{2}$	$1\frac{1}{4}$	0.94	1.55	1.49	2.52	2.97	2.52
15503	2	$1\frac{1}{2}$	$1\frac{1}{2}$	1.13	1.65	1.37	2.72	3.07	2.80
22228	2	$1\frac{1}{2}$	2	1.38	1.89	1.38	2.95	3.33	2.95
15538	2	2	$\frac{1}{2}$	0.54	0.54	1.30	2.13	2.13	2.05
94777	2	2	$\frac{3}{4}$	0.79	0.79	1.26	2.37	2.37	2.17
94772	2	2	1	0.91	0.91	1.30	2.49	2.49	2.21
77487	2	2	$1\frac{1}{4}$	1.04	1.04	1.37	2.62	2.62	2.40
77482	2	2	$1\frac{1}{2}$	1.13	1.13	1.37	2.72	2.72	2.80

Viega ProPress Tee P x P x P - Model 0918XL


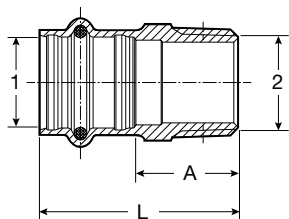
Part No.	Size			A (in)	A1 (in)	A2 (in)	L (in)	L1 (in)	L2 (in)
	1	2	3						
20684	2½	¾	2½	1.83	1.91	3.23	3.52	3.60	4.13
20689	2½	1	2½	1.83	1.91	3.25	3.52	3.60	4.15
20694	2½	1¼	2½	1.83	1.91	3.20	3.52	3.60	4.23
20699	2½	1½	2½	1.83	1.91	3.14	3.52	3.60	4.57
20704	2½	2	¾	1.04	1.61	1.59	2.74	2.52	3.17
20709	2½	2	1	1.04	1.77	1.65	2.74	2.67	3.24
22283	2½	2	1½	1.30	1.78	2.07	2.99	3.20	3.66
22278	2½	2	2	1.50	1.78	2.25	3.19	3.36	3.83
20714	2½	2	2½	1.83	1.91	2.41	3.52	3.60	4.00
22303	2½	2½	½	0.91	1.52	0.91	2.60	2.27	2.60
22298	2½	2½	¾	0.91	1.58	0.91	2.60	2.48	2.60
22293	2½	2½	1	1.04	1.77	1.04	2.74	2.68	2.74
22288	2½	2½	1¼	1.16	1.76	1.16	2.85	2.79	2.85
20803	2½	2½	1½	1.30	1.78	1.30	2.99	3.21	2.99
20688	2½	2½	2	1.54	1.75	1.54	3.23	3.34	3.23
20683	2½	2½	2½	1.83	1.94	1.83	3.52	3.63	3.52
20719	3	¾	3	2.07	2.15	3.82	4.04	4.11	4.72
20724	3	1	3	2.07	2.15	3.96	4.04	4.11	4.86
20729	3	1¼	3	2.07	2.15	3.83	4.04	4.11	4.86
20727	3	1½	3	2.07	2.15	3.71	4.04	4.11	5.14
20732	3	2	2	1.56	2.03	2.33	3.52	3.61	3.92
20734	3	2	2½	1.85	2.15	2.63	3.82	3.85	4.21
20739	3	2	3	2.07	2.15	2.84	4.04	4.11	4.43
20744	3	2½	2	1.56	2.03	2.07	3.52	3.61	3.76
20749	3	2½	2½	1.85	2.15	2.56	3.82	3.85	4.25
20754	3	2½	3	2.07	2.15	2.78	4.04	4.11	4.47
20759	3	3	½	0.93	1.76	0.93	2.89	2.50	2.89
22323	3	3	¾	0.93	1.80	0.93	2.89	2.71	2.89
22308	3	3	1	1.06	2.02	1.06	3.03	2.92	3.03
22313	3	3	1¼	1.18	2.01	1.18	3.15	3.04	3.15
20798	3	3	1½	1.32	2.03	1.32	3.29	3.45	3.29
20698	3	3	2	1.56	2.00	1.56	3.52	3.59	3.52
20703	3	3	2½	1.85	2.15	1.85	3.82	3.85	3.82
20693	3	3	3	2.07	2.21	2.07	4.04	4.18	4.04
20774	4	3	2	1.59	2.57	3.33	3.96	4.15	5.22
20784	4	3	3	2.11	2.66	3.84	4.47	4.63	5.81
20788	4	4"	½	1.08	2.24	1.08	3.45	2.99	3.45
20793	4	4	¾	1.08	2.32	1.08	3.45	3.22	3.45
20794	4	4	1	1.36	2.52	1.36	3.72	3.42	3.72
20795	4	4	1¼	1.36	2.50	1.36	3.72	3.54	3.72
20808	4	4	1½	1.36	2.52	1.36	3.72	3.95	3.72
20713	4	4	2	1.59	2.53	1.59	3.96	4.11	3.96
20718	4	4	2½	1.89	2.65	1.89	4.25	4.35	4.25
20723	4	4	3	2.11	2.69	2.11	4.47	4.65	4.47
20708	4	4	4	2.60	2.72	2.60	4.96	5.09	4.96

Viega ProPress Tee Zero Lead Bronze P x P x FPT - Model 2917.2ZL


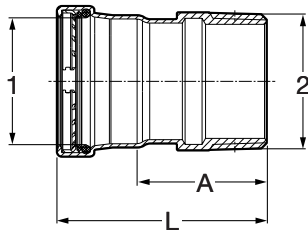
Part No.	Size (in)			A (in)	A1 (in)	L (in)	L1 (in)
	1	2	3				
79580	½	½	½	0.79	0.69	1.61	1.30
79585	¾	¾	¼	0.67	0.79	1.57	1.18
79590	¾	¾	½	0.79	0.88	1.69	1.42
79595	¾	¾	¾	0.91	0.59	1.81	1.14
79760	1	1	½	0.79	1.04	1.69	1.57
79765	1	1	¾	0.91	1.06	1.81	1.61
79770	1¼	1¼	½	0.83	1.16	1.85	1.69
79775	1¼	1¼	¾	0.95	1.18	1.97	1.73
79780	1½	1½	½	0.87	1.24	2.28	1.77
79785	1½	1½	¾	0.94	1.30	2.36	1.85
79790	2	2	½	0.98	1.59	2.56	2.13
79795	2	2	¾	1.06	1.65	2.64	2.20

Viega ProPress Tee P x P x FPT - Model 0917.2XL


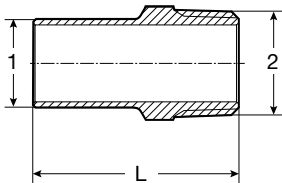
Part No.	Size			A (in)	A1 (in)	L (in)	L1 (in)
	1	2	3				
20883	2½	2½	¾	1.02	1.78	2.72	2.34
20878	2½	2½	2	1.54	1.90	3.23	2.60
20893	3	3	¾	1.04	2.03	3.01	2.59
20888	3	3	2	1.56	2.16	3.52	2.85
20873	4	4	¾	1.08	2.53	3.34	3.09
20868	4	4	2	1.59	2.69	3.96	3.38

Viega ProPress Adapter Zero Lead Bronze P x MPT - Model 2911ZL


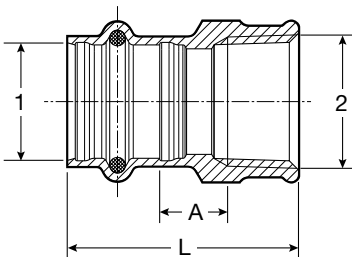
Part No.	Size (in)		A (in)	L (in)
	1	2		
79210	½	¾	0.77	1.59
79215	½	½	0.89	1.71
79220	½	¾	1.00	1.83
79225	¾	½	1.02	1.93
79230	¾	¾	1.02	1.93
79235	¾	1	1.18	2.09
79240	1	¾	1.18	2.09
79245	1	1	1.26	2.17
79250	1	1¼	1.54	2.44
79255	1¼	1	1.22	2.24
79260	1¼	1¼	1.34	2.36
79265	1¼	1½	1.48	2.50
79270	1½	1¼	1.34	2.76
79275	1½	1½	1.28	2.70
79280	1½	2	1.65	3.07
79285	2	1½	1.54	3.11
79290	2	2	1.50	3.07

Viega ProPress Adapter P x MPT - Model 0911XL


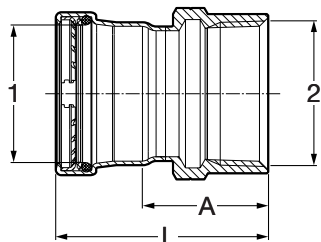
Part No.	Size (in)		A (in)	L (in)
	1	2		
20823	2½	2½ MPT	2.76	4.45
20828	3	3 MPT	2.84	4.80
20838	4	4 MPT	3.10	5.46

Viega ProPress Adapter Zero Lead Bronze FTG x MPT - Model 2911.1ZL


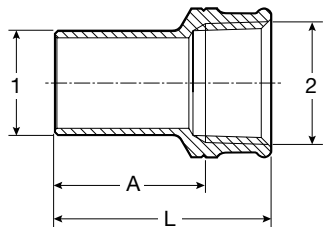
Part No.	Size (in)		L (in)
	1	2	
79375	½	⅜ MPT	1.75
79380	½	½ MPT	1.95
79385	½	¾ MPT	2.05
79390	¾	½ MPT	1.93
79395	¾	¾ MPT	2.05
79400	1	¾ MPT	2.05
79405	1	1 MPT	2.22
79410	1¼	1¼ MPT	2.54
79415	1½	1½ MPT	2.89
79420	2	2 MPT	3.33

Viega ProPress Adapter Zero Lead Bronze P x FPT - Model 2912ZL


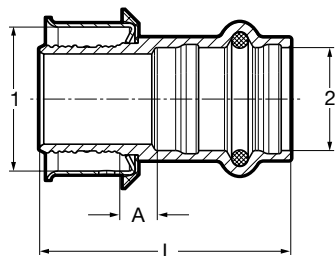
Part No.	Size (in)		A (in)	L (in)
	1	2		
79295	½	⅜ FPT	0.19	1.42
79300	½	½ FPT	0.25	1.61
79305	½	¾ FPT	0.27	1.65
79310	¾	½ FPT	0.33	1.77
79315	¾	¾ FPT	0.35	1.81
79320	1	½ FPT	0.41	1.85
79325	1	¾ FPT	0.39	1.85
79330	1	1 FPT	0.44	2.01
79335	1	1¼ FPT	0.50	2.09
79340	1¼	½ FPT	0.37	1.93
79345	1¼	1 FPT	0.24	1.93
79350	1¼	1¼ FPT	0.34	2.05
79355	1¼	1½ FPT	0.42	2.13
79360	1½	1¼ FPT	0.26	2.36
79365	1½	1½ FPT	0.34	2.44
79370	2	2 FPT	0.41	2.68

Viega ProPress Adapter P x FPT - Model 0912XL


Part No.	Size (in)		A (in)	L (in)
	1	2		
20819	2½	2½ FPT	1.53	4.15
20829	3	3 FPT	1.84	4.82
20839	4	4 FPT	2.09	5.55

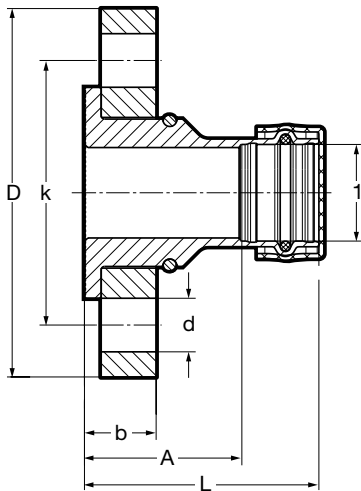
Viega ProPress Adapter Zero Lead Bronze FTG x FPT - Model 2912.1ZL


Part No.	Size (in)		A (in)	L (in)
	1	2		
79425	½	¾ FPT	1.10	1.54
79430	½	½ FPT	1.22	1.75
79435	½	¾ FPT	1.30	1.83
79440	¾	½ FPT	1.26	1.79
79445	¾	¾ FPT	1.28	1.83
79455	1	½ FPT	1.35	1.99
79450	1	1 FPT	1.33	1.99
79460	1¼	½ FPT	1.65	2.19
79465	1¼	1¼ FPT	1.50	2.19
79470	1½	1½ FPT	1.88	2.56
79475	2	2 FPT	2.13	2.95

Viega PEX Press Adapter Zero Lead Bronze P x P - Model 2813PZL


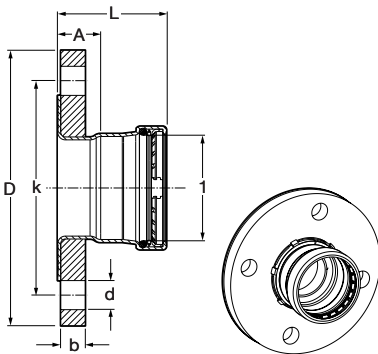
Part No.	Size (in)		A (in)	L (in)
	1	2		
99620	½	½	0.29	1.61
99626	½	¾	0.43	1.83
99630	¾	½	0.23	1.56
99640	¾	¾	0.33	1.73
99645	1	¾	0.35	1.87
99660	1	1	0.45	1.97
99665	1¼	1	0.49	2.26
99670	1¼	1¼	0.49	2.38
66675	1½	1	0.59	2.36
99680	1½	1½	0.59	2.87
99685	2	1	0.73	2.68
99690	2	2	0.59	3.21

Viega ProPress Adapter Flange Zero Lead Bronze P x Flange - Model 2959.5ZL



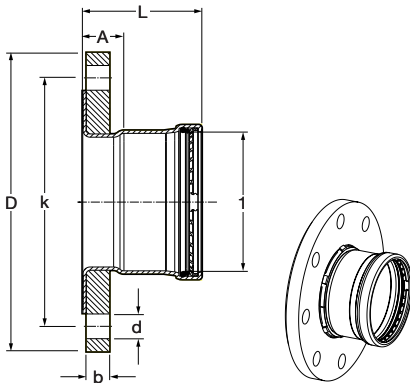
Part No.	Size (in)	A (in)	L (in)	b (in)	D (in)	k (in)	d (in)
1							
79680	1	1.85	2.76	0.84	4.33	3.11	0.63
79685	1¼	1.73	2.76	0.84	4.53	3.50	0.63
79690	1½	1.65	3.07	0.84	4.92	3.86	0.63
79695	2	2.09	3.66	0.84	5.91	4.76	0.75

Viega ProPress Adapter Flange P x Flange - Model 0959.5XL



Part No.	Size (in)	A (in)	L (in)	b (in)	k (in)	D (in)	d (in)
1							
20853	2½	1.09	2.79	0.70	5.51	7.09	0.75
20858	3	1.20	3.17	0.79	5.98	7.48	0.75

Viega ProPress Adapter Flange P x Flange - Model 0959.5XL



Part No.	Size (in)	A (in)	L (in)	b (in)	k (in)	D (in)	d (in)
1							
20863	4	1.29	3.66	0.86	7.52	9.06	0.75