

ROOF DRAIN

» 868 SERIES

SPECIFICATION

Sioux Chief 868 series roof drain shall be used where necessary in drainage systems. Drain shall have U.V. resistant polyethylene, or epoxy-coated aluminum dome strainer, and epoxy-coated aluminum gravel guard/flashing clamp. Drain body shall have a Sch. 40 hub connection. Connection to drainage system shall be made with solvent weld joint to ABS or PVC pipe. Designed in accordance with ASME A112.6.4-2003.

MATERIALS

Dome strainer: Polyethylene, epoxy-coated aluminum
Gravel guard/Flashing clamp: epoxy-coated aluminum
Drain body: ABS, PVC

STRAINER FREE AREA

49.65 in²

DIMENSIONS

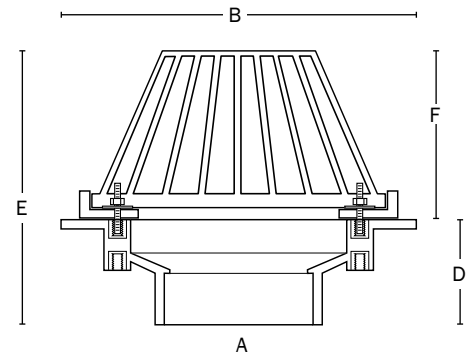
A: Connection size	3", 4", 6" Sch. 40 Hub
B: Overall height	8-3/8"
C: Flange diameter	11"
D: Drain body height	3-3/8"
E: Elevation	5-1/4"

1 Max height noted with flashing collar inverted. Add 3/8" for Push-Joint connection

ITEM # SUBMITTED	_____
JOB NAME	_____
LOCATION	_____
ENGINEER	_____
CONTRACTOR	_____
PO#	_____ TAG _____



868-P4M



Create Item Number

868-ABCD

e.g. **868-P3MUS**: Roof drain with 3" PVC connection, poly dome strainer, underdeck clamp kit and sump receiver

CONNECTION TYPE A

A = ABS
P = PVC

CONNECTION SIZE

3 = 3" Sch. 40 hub
4 = 4" Sch. 40 hub
6 = 6" Sch. 40 hub

RING/STRAINER TYPE C

M = Epoxy-coated aluminum dome strainer¹
V = Vandal-resistant dome screws
W = 2-3/16" high external water dam
P = Steel screen wrapped dome strainer
STP2 = 2" high internal standpipe
U = Underdeck clamp kit
S = 16" diameter sump receiver
E = Extension collar kit

Accessories - Available Separately:

868-C: Underdeck clamp kit
868-E: Extension collar kit
868-HD: Replacement poly dome strainer
868-MC: Replacement gravel guard/flashing clamp
868-MD: Replacement aluminum dome strainer
868-S: Sump receiver
868-WD: External water dam

¹ In lieu of polyethylene dome strainer (standard)