

Features

- Integral flange.
- Left drain.
- Integral apron.
- Integral lumbar support.
- 60" (1524 mm) x 32" (813 mm) x 16-1/4" (413 mm)

Material

- Cast iron with Safeguard® finish.

Installation

- Alcove

Recommended Accessories

- K- 1491 Bath/Whirlpool Pillow
- K- 1601 Bath/Whirlpool Footstop
- K-7160-AF
- K- 7213 27" Cable Bath Drain
- K- 7214 27" Cable Bath Drain



ADA CSA B651 OBC

Codes/Standards




ASME A112.19.1/CSA B45.2
ADA
ICC/ANSI A117.1
CSA B651
OBC

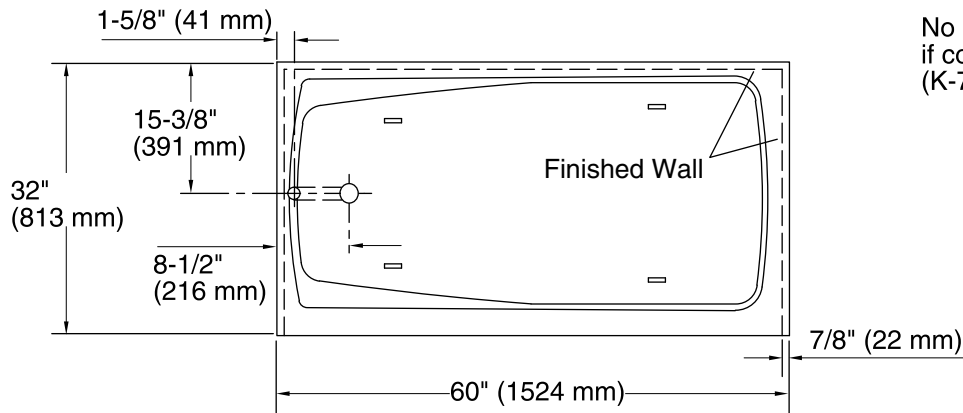
KOHLER® Lifetime Limited Warranty for Cast Iron Components

See website for detailed warranty information.

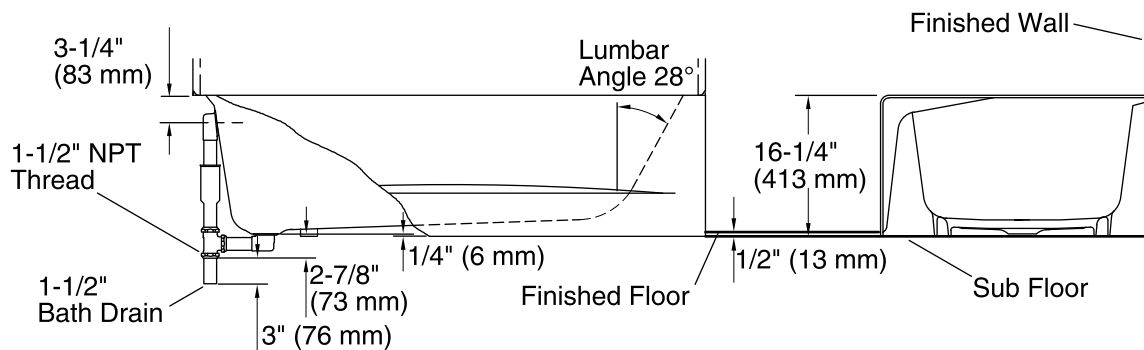
Available Color/Finishes

Color tiles intended for reference only.

| Color | Code | Description |
|--|------|-------------|
|  | 0 | White |
|  | 96 | Biscuit |
|  | 47 | Almond |



No change in measurements if connected with drain illustrated. (K-7160-TF)



Technical Information

All product dimensions are nominal.

| | |
|---------------------|---|
| Installation: | 3-Wall Alcove |
| Drain location: | Left |
| Basin area, bottom: | 46" x 20" (1168 mm x 508 mm) |
| Basin area, top: | 54" x 24" (1372 mm x 610 mm) |
| Weight: | 351 lbs (159.2 kg) |
| Minimum floor load: | 56 lbs/ft ² (273.4 kg/m ²) |
| Water depth: | 10-7/8" (276 mm) |
| Water capacity: | 45 gal (170.3 L) |

Notes

Measure your actual product for rough-in details.

Install this product according to the installation instructions.

The hot water supply should be 70% of the capacity of the bath or greater. Installations will vary.

Measure your actual product for roughing-in details.

Install this product according to the installation guide.

Hot water supply should be 70% of capacity or greater. Installations will vary.

ADA, OBC, CSA B651 compliant when installed to the specific requirements of these regulations.