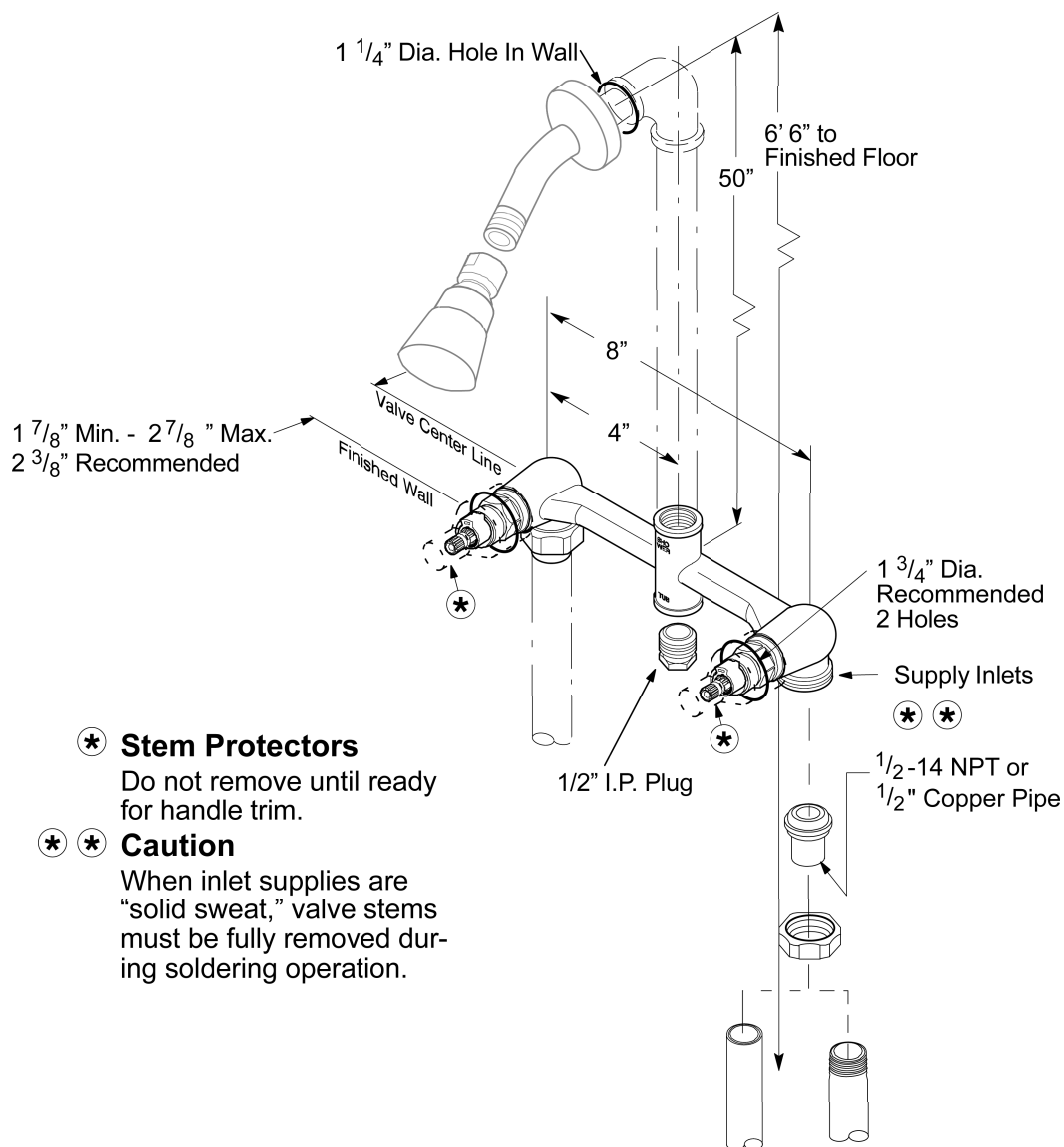


07 Series
Shower



*** Stem Protectors**
Do not remove until ready for handle trim.

**** Caution**
When inlet supplies are "solid sweat," valve stems must be fully removed during soldering operation.