

# ADJUSTABLE ON-GRADE FLOOR DRAIN

» 832 SERIES

FinishLine™

## SPECIFICATION

Sioux Chief 832 series FinishLine™ adjustable floor drain shall be used where necessary in drainage systems. Floor drain shall allow adjustment before and AFTER the concrete pour. Strainer shall meet applicable load requirements for intended use. Trap primer port shall be threaded 1/2" FIP for optional connection. Designed in accordance with ASME A112.6.3-2001.

## MATERIALS

**Ring/strainer:** Nickel-bronze, stainless steel

**Coring Plug:** High-impact polymer

**Head Adapter/Coring Sleeve:** Gray ABS

**Base Adapter:** ABS, PVC

## STRAINER LOAD RATING

**Nickel-bronze:** 1,000 lbs. (Light duty, heel-proof)

**Stainless Steel:** 1,000 lbs. (Light duty, heel-proof)

## STRAINER FREE AREA

**Round nickel-bronze/stainless steel:** 13.4 in<sup>2</sup>

**Square nickel-bronze/stainless steel:** 16.4 in<sup>2</sup>

## DIMENSIONS

<b>A:</b> Connection*	2", 3x4", 4" Sch. 40 hub
<b>B:</b> Ring/strainer diameter	
Round	6 1/2"
Square	7"
<b>C:</b> Base adapter height**	4 1/2"
<b>D:</b> Pre-pour height**	5 3/8" – 6 5/8"
<b>E:</b> After-pour height	
Round	0" – 1 1/4"
Square	5/16" – 1 1/4"
<b>F:</b> Trap primer port	1/2" FIP thread, for knockout connection

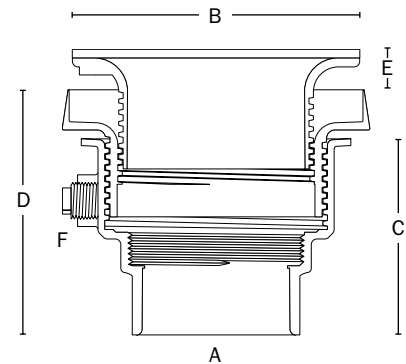
\* 2" hub connection is a factory-installed 2x3 bushing in 3" hub model

\*\* Add 1/4" for 2" hub connection

ITEM # SUBMITTED	_____
JOB NAME	_____
LOCATION	_____
ENGINEER	_____
CONTRACTOR	_____
PO#	_____ TAG _____



832-36PNR



## Create Item Number

### 832-ABCD

e.g. **832-36PNRV:** FinishLine™ floor drain with 3" PVC hub connection and vandal-resistant, nickel-bronze strainer

#### CONNECTION SIZE **A**

- 2 = 2" Sch. 40 hub
- 36 = 3x4" Sch. 40 hub
- 4 = 4" Sch. 40 hub

#### CONNECTION TYPE **B**

- A = ABS base adapter
- P = PVC base adapter

#### RING/COVER **C**

- NR = Round nickel-bronze
- NQ = Square nickel-bronze
- SR = Round stainless steel
- SQ = Square stainless steel

#### INSTALLED OPTIONS **D**

- V = Vandal-resistant strainer screws
- B = Complies with Buy American Act<sup>1</sup>
- E = 1 1/4" extended strainer rim<sup>1</sup>
- H = Hinged strainer (750 lbs. safe load)

#### ACCESSORIES (ordered separately)

- 832-S4 = Leveling shim kit
- 832-EX4 = Ductile extension adapter
- 832-W = Flexible locating bristle kit
- 832-UM = Stainless mesh debris basket
- 863-FN = Round nickel-bronze condensate funnel
- 863-FA = Round aluminum condensate funnel
- 863-FNO = Oval nickel-bronze condensate funnel

1 Available for round nickel-bronze strainers only