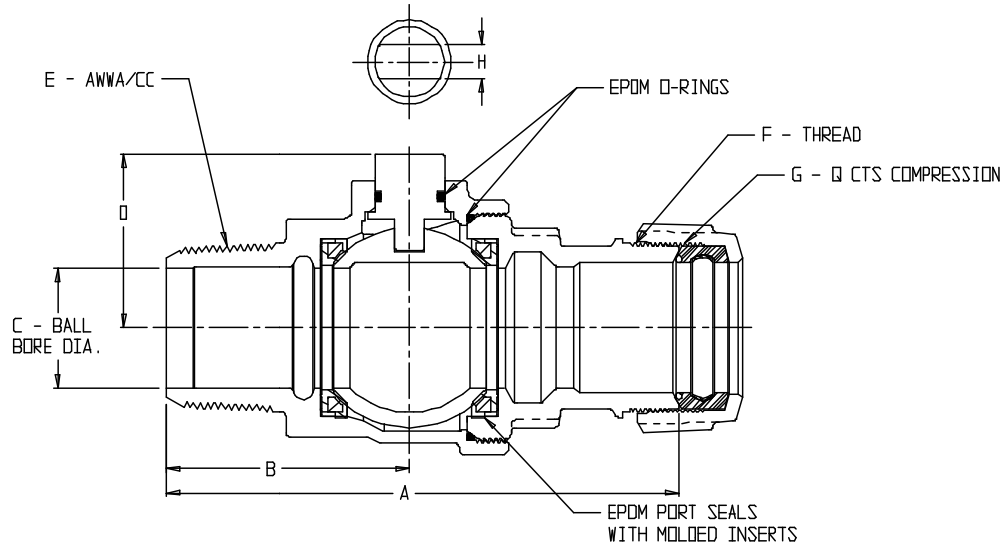


SUBMITTAL DATA SHEET

NL Ball Style Corporation Stop – 74701BQ

AWWA/CC x Q CTS Compression



| MODEL NO. | SIZE | A | B | C | D | E | F | G | H |
|-----------|-----------|------|------|------|------|--------|-------------------|--------|-----|
| 74701BQ | 3/4 | 4.22 | 1.96 | .75 | 1.39 | 3/4" | 3/4" AWWA FLARE | 3/4" | .38 |
| 74701BQ | 3/4 X 1 | 4.44 | 1.96 | .75 | 1.39 | 3/4" | 1" AWWA FLARE | 1" | .38 |
| 74701BQ | 1 | 4.37 | 2.11 | 1.00 | 1.50 | 1" | 1" AWWA FLARE | 1" | .28 |
| 74701BQ | 1 X 1 1/4 | 4.51 | 2.11 | 1.00 | 1.50 | 1" | 1 1/4" AWWA FLARE | 1 1/4" | .28 |
| 74701BQ | 1 1/4 | 5.90 | 3.02 | 1.25 | 1.88 | 1 1/4" | 1 1/4" AWWA FLARE | 1 1/4" | .42 |
| 74701BQ | 1 1/2 | 6.42 | 3.05 | 1.50 | 2.15 | 1 1/2" | 2 1/8-16 SPECIAL | 1 1/2" | .42 |
| 74701BQ | 2 | 6.86 | 3.21 | 2.00 | 2.46 | 2" | 2 5/8-16 SPECIAL | 2" | .42 |

SUBMITTAL INFORMATION

- Manufactured in compliance with ANSI/AWWA C800 (latest revision)
- Brass components in contact with potable water conform to ASTM B584, UNS C89833 (latest revision) and identified with "NL"
- Certified to NSF/ANSI 61 and NSF/ANSI 372
- Brass components not in contact with potable water conform to ASTM B62 and ASTM B584, UNS C83600 -85-5-5-5 (latest revision)
- PTFE coated brass ball rotates 360°
- Rated for 300 PSIG water pressure
- Blow out proof EPDM port seals
- End piece joint sealed with an EPDM o-ring and thread locker
- Insert stiffeners required on all flexible plastic connections



A.Y. McDonald Mfg. Co.
 P.O. Box 508
 Dubuque, IA 52004-508

Toll Free: 1-800-292-2737
Fax: 1-800-832-9296
Hours: 7:00 a.m. – 5:00 p.m., CST

sales@aymcdonald.com
www.aymcdonald.com

A.Y. McDonald considers the information on this assembly drawing correct when published. Item and option availability, including specifications, are subject to change without notice.

Submitted by: