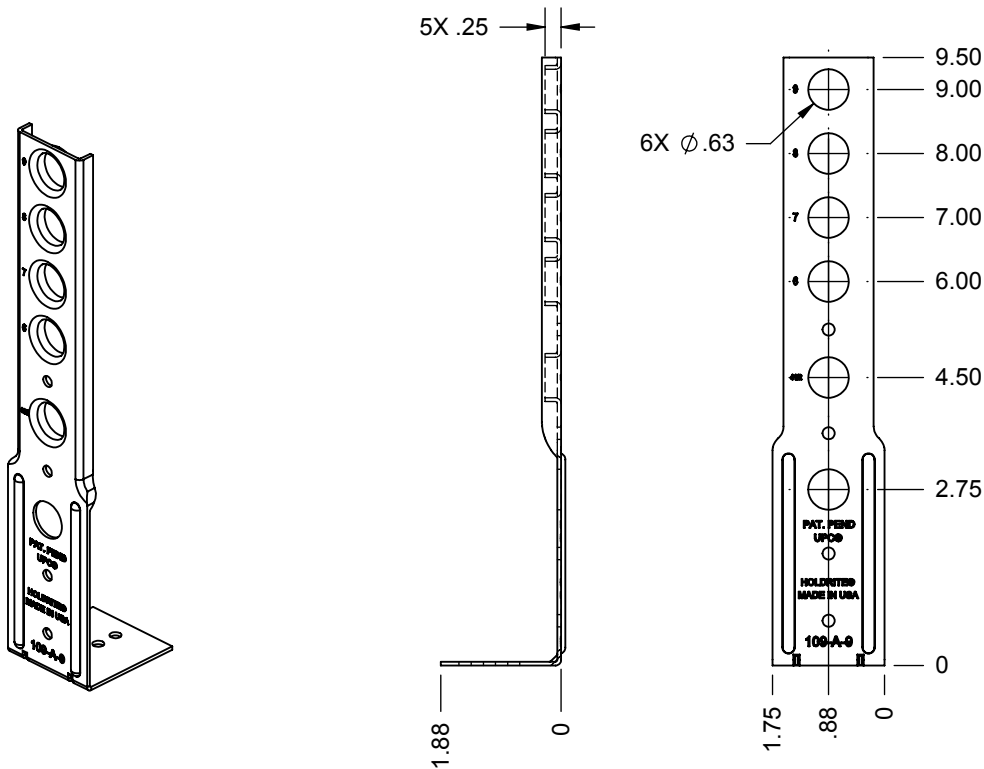


# PRODUCT SPECIFICATION DRAWING HOLDRITE® #109-A-9 BRACKET



ALL DIMENSIONS IN INCHES

**Positions and secures water closet supply above floor. Copper-Bonded™ heavy duty 16 gage reinforced bracket with horizontal mounting base and fastener holes. Mounts to top or face of base plate/mud sill, or under plate directly to floor. Positions and solders 1/2" CTS copper at heights up to 9". Features vertical pattern of 6 pipe holes (5 extruded): 4 on 1" centers from 6" to 9" high, plus holes at 4-1/2" and 2-3/4". Works with single or double floor plate. When soldering, heat the pipe, not the bracket.**

## Product Information:

- Material: 16 gage CRS per ASTM-A1008, Copper-Bonded™
- Patent pending
- UPC / IPC / IAPMO listed



THIS INFORMATION IS PROPRIETARY TO HOLDRITE AND IS SUBJECT TO CHANGE WITHOUT NOTICE. IT MAY NOT BE REPRODUCED IN PART OR WHOLE WITHOUT WRITTEN AUTHORIZATION.

# HOLDRITE®

CONVERTING MAKESHIFT METHODS INTO ENGINEERED SOLUTIONS<sup>SM</sup>  
800-321-0316 OR 760-744-6944 / FAX: 760-744-0507 / WWW.HOLDRITE.COM  
spec\_109-A-9\_RevF

Product Submittal	
Job Name:	
Date:	
Part Number:	Qty:
Architect / Owner:	
Contractor:	
Notes:	