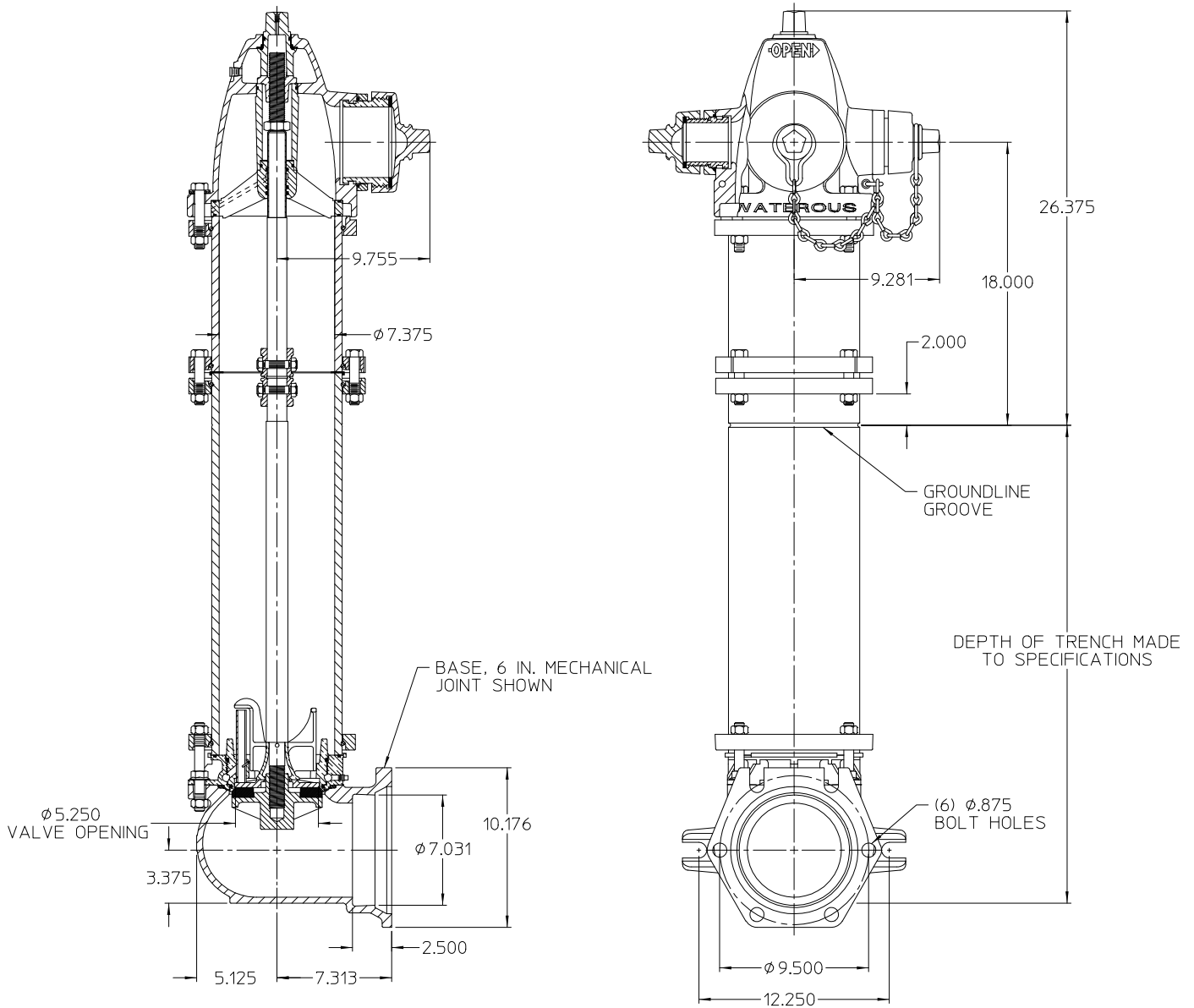


AMERICAN Flow Control Submittal Information

5-1/4 WATEROUS PACER TRAFFIC MODEL WB67-250 FIRE HYDRANT



IL3576

NOTES:

1. 250 psig rated working pressure.
2. This hydrant meets or exceeds all requirements of AWWA C502.
3. 10 in. upper standpipe (traffic section) is standard. 16 in., 22 in., 28 in. and 34 in. upper standpipes are available by special order. Nozzle elevation will vary accordingly.
4. 5-1/4" valve opening.
5. Hydrants are available with counterclockwise opening direction (open-left) or clockwise opening direction (open-right).
6. Operating nut and nozzle cap wrench nuts are available in various shapes and sizes.



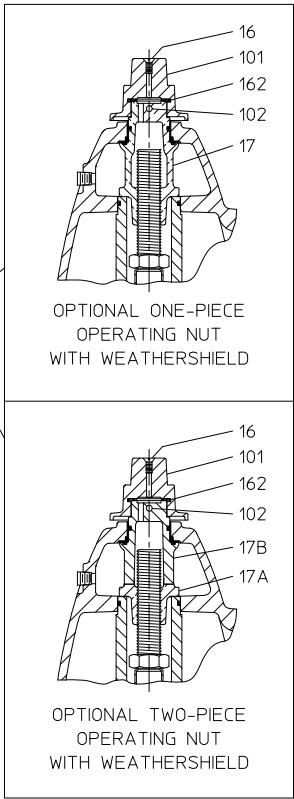
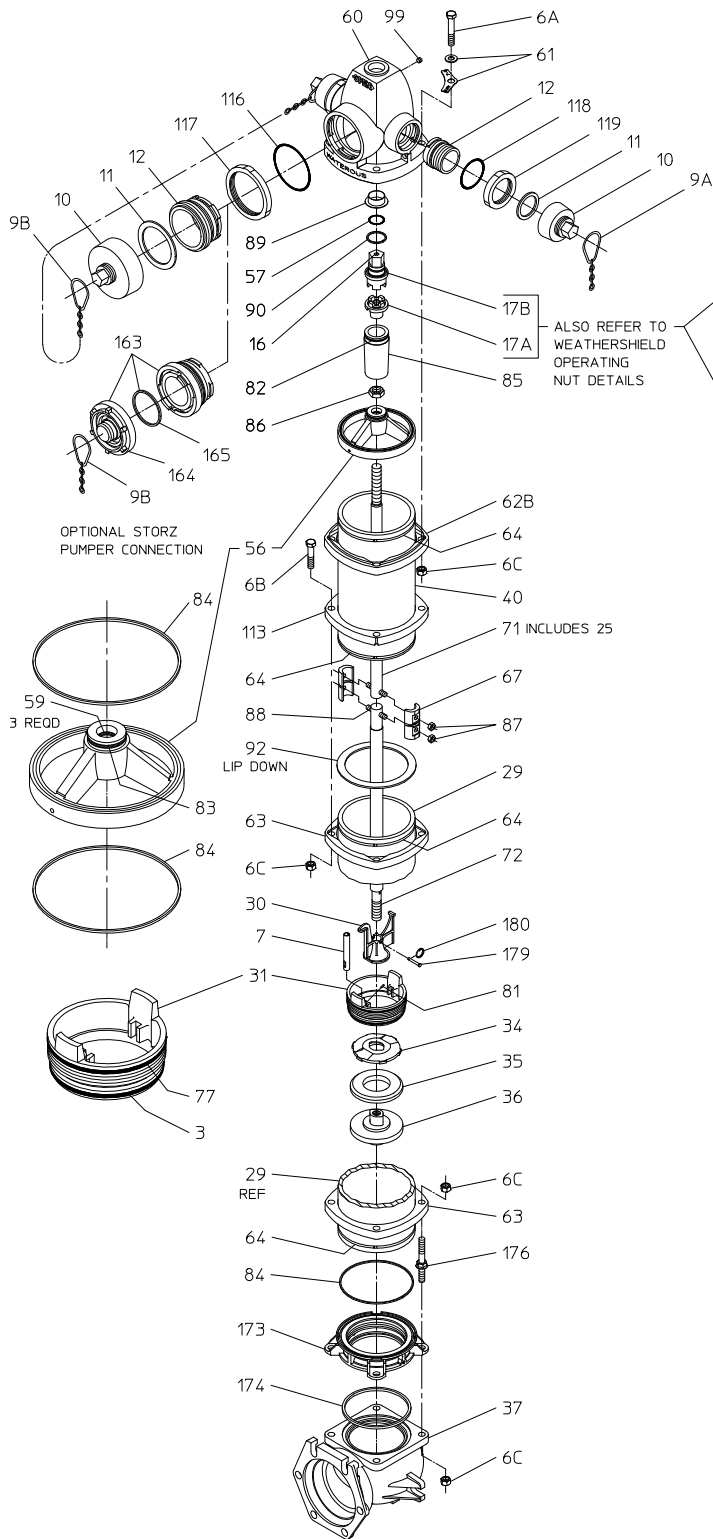
AMERICAN
FLOW CONTROL

THE RIGHT WAY

AMERICAN Flow Control
P.O. Box 2727
Birmingham, Al. 35202-2727
Phone: 1-800-326-8051
Fax: 1-800-610-3569
E-mail: afcsales@american-usa.com

Waterous Company
125 Hardman Avenue South
South St. Paul, Mn. 55075-1191
Phone: 1-888-266-3686
Fax: 1-800-601-2809
E-mail: afcsales@american-usa.com

WWW.AMERICAN-USA.COM



TRAFFIC MODEL WB67-250

IL3566



AMERICAN
FLOW CONTROL

THE RIGHT WAY

AMERICAN Flow Control
P.O. Box 2727
Birmingham, Al. 35202-2727
Phone: 1-800-326-8051
Fax: 1-800-610-3569
E-mail: afcsales@american-usa.com

Waterous Company
125 Hardman Avenue South
South St. Paul, Mn. 55075-1191
Phone: 1-888-266-3686
Fax: 1-800-601-2809
E-mail: afcsales@american-usa.com

WWW.AMERICAN-USA.COM

REF NO.	DESCRIPTION	MATERIAL
3	O-ring (Lower Valve Seat)	Buna-N
6A	Hex Head Bolt, 5/8-11 x 3-3/4"	Zinc Plated Steel, ASTM A307
6B	Hex Head Bolt, 5/8-11 x 3"	Zinc Plated Steel, ASTM A307
6C	Hex Nut, 5/8-11 (Above Ground)	Zinc Plated Steel, ASTM A307
6C	Hex Nut, 5/8-11 (Below Ground)	Stainless Steel, Type 304, ASTM F594
7	Drain Plunger	Red Brass, ASTM B135, UNS C23000
9A,9B	Nozzle Cap Chain, Single or Double	Zinc Plated Steel
10	Nozzle Cap, Hose or Pumper	Ductile Iron, ASTM A536 Grade 65-45-12
11	Cap Gasket, Hose or Pumper	Neoprene
12	Nozzle, Hose or Pumper	Brass, ASTM B505, UNS C83600
16	Flat Head Screw, 1/4-20 x 1/2"	Stainless Steel, Type 304
17	Operating Nut (One-Piece)	Bronze, ASTM B763, UNS C86500 or UNS C86700
17A	Lower Operating Nut	Bronze
17B	Upper Operating Nut	Ductile Iron, ASTM A536 Grade 65-45-12*
25	Rod Bushing	Red Brass, ASTM B135, UNS C23000
29	Lower Standpipe	Centrifugally Cast Ductile Iron Pipe, ANSI A21.51 (AWWA C151)
30	Crossarm	Bronze, ASTM B763, UNS C99500
31	Valve Seat	Brass, ASTM B584, UNS C83600
34	Upper Valve Washer	Ductile Iron, ASTM A536 Grade 65-45-12
35	Main Valve Rubber	Urethane
36	Lower Valve Washer	Ductile Iron, ASTM A536 Grade 65-45-12 / Epoxy Coated, AWWA C550
37	Hydrant Bottom	Ductile Iron, ASTM A536 Grade 65-45-12 / Epoxy Coated, AWWA C550
40	Upper Standpipe	Centrifugally Cast Ductile Iron Pipe, ANSI A21.51 (AWWA C151)
56	Support Wheel	Ductile Iron, ASTM A536 Grade 65-45-12
57	O-ring (Operating Nut)	Buna-N
59	O-ring (Support Wheel)	Buna-N
60	Nozzle Section	Ductile Iron, ASTM A536 Grade 65-45-12
61	Bury Depth Plate	Aluminum
61	Bury Depth Plate Washer	Zinc Plated Steel
62B	Upper Standpipe Flange	Ductile Iron, ASTM A536 Grade 65-45-12
63	Standpipe Flange	Ductile Iron, ASTM A536 Grade 65-45-12
64	Flange Lock Ring	Stainless Steel, Type 430
67	Coupling Sleeve (two-halves)	Gray Iron, ASTM A48 Class 30B
71	Upper Rod	Steel Rod, ASTM A575
72	Lower Rod	Steel Rod, ASTM A575
77	O-ring (Upper Valve Seat)	Buna-N
81	Groove Pin, 3/32 x 7/16"	Beryllium Copper
82	O-ring (Upper Tube Seal)	Buna-N
83	O-ring (Lower Tube Seal)	Buna-N
84	Support Wheel / Lower Standpipe Gasket	Buna-N

REF NO.	DESCRIPTION	MATERIAL
85	Support Tube	Ductile Iron, ASTM A536 Grade 65-45-12
86	Stop Nut, 1"-8	Zinc Plated Steel
87	Coupling Nut, 1/2-20	Brass
88	Coupling Stud, 1/2-20 x 2-9/16"	Stainless Steel, Type 430
89	Nozzle Section Bushing	Brass
90	Thrust Ring	Polymer Bearing
92	Upper Standpipe Gasket	Neoprene
99	Pipe Plug, 1/4 NPT	Brass
101	Weathershield Nut	Ductile Iron, ASTM A536 Grade 65-45-12
102	Heavy Spirol Pin, 1/4 x 2-1/4"	Stainless Steel, Type 302
113	Breakable Flange	Ductile Iron, ASTM A536 Grade 65-45-12
116	O-ring (Pumper Nozzle)	Buna-N
117	Pumper Nozzle Retainer	Ductile Iron, ASTM A536 Grade 65-45-12
118	O-ring (Hose Nozzle)	Buna-N
119	Hose Nozzle Retainer	Ductile Iron, ASTM A536 Grade 65-45-12
162	Weathershield Nut Gasket	Nitrile
163	Nozzle, Pumper, Storz (with cap and gasket)	Bronze and Aluminum
164	Nozzle Cap, Pumper, Storz	Aluminum
165	Cap Gasket, Pumper, Storz	Buna-N
173	Valve Seat Insert	Brass, ASTM B584, UNS C83600
174	Valve Seat Insert Gasket	Nitrile
176	Stud, 5/8-11 x 5.650"	Stainless Steel, Type 304, ASTM F593
179	Clevis Pin, 1/4 x 1-11/16"	Stainless Steel, Type 18-8
180	Kickout Ring	Stainless Steel, Type 18-8

*Bronze material optional for some nut sizes.

Open Direction: Left (C.C.W.) Right (C.W.)



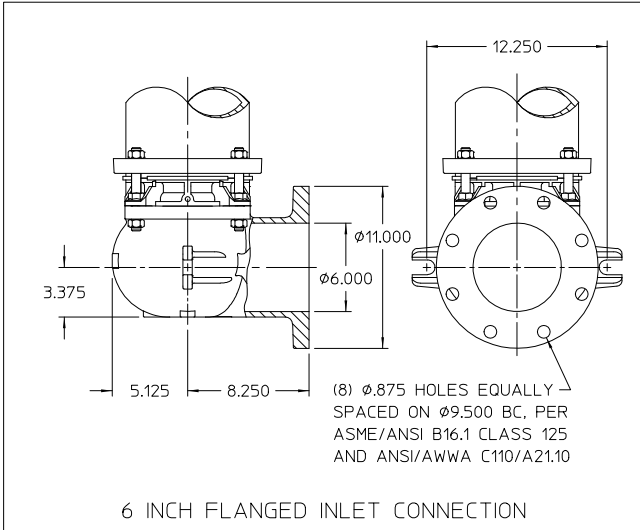
AMERICAN
FLOW CONTROL

THE RIGHT WAY

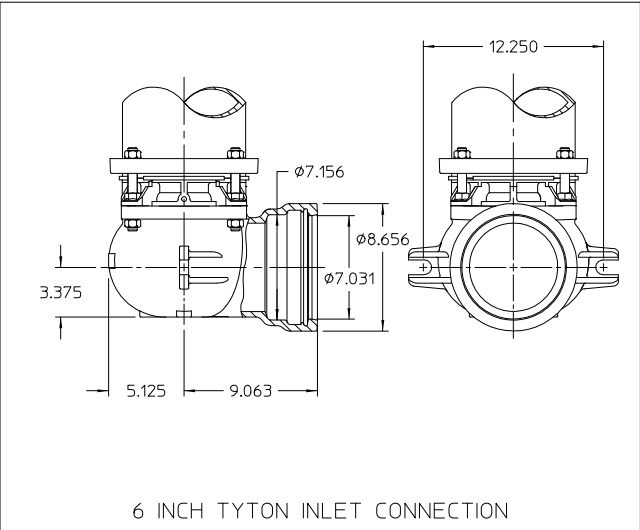
AMERICAN Flow Control
P.O. Box 2727
Birmingham, Al. 35202-2727
Phone: 1-800-326-8051
Fax: 1-800-610-3569
E-mail: afcsales@american-usa.com

Waterous Company
125 Hardman Avenue South
South St. Paul, Mn. 55075-1191
Phone: 1-888-266-3686
Fax: 1-800-601-2809
E-mail: afcsales@american-usa.com

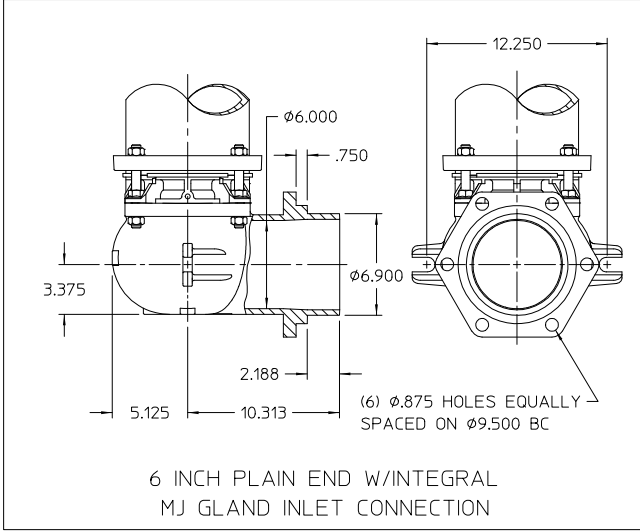
WWW.AMERICAN-USA.COM



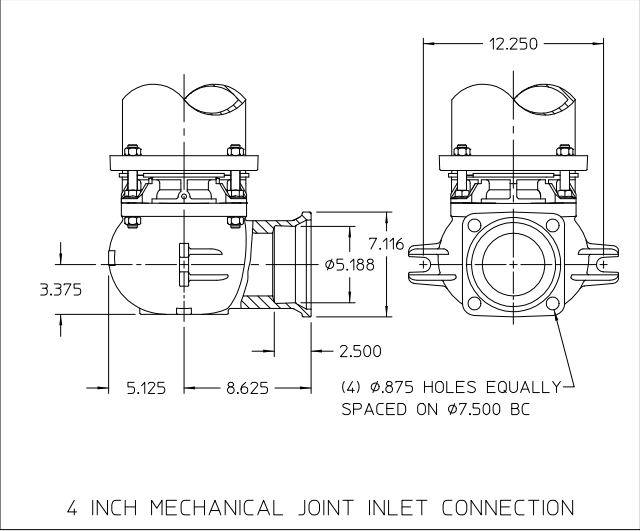
6 INCH FLANGED INLET CONNECTION



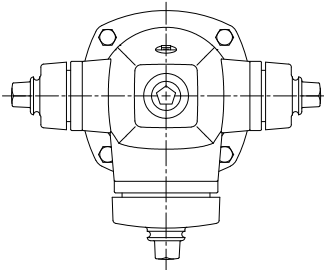
6 INCH TYTON INLET CONNECTION



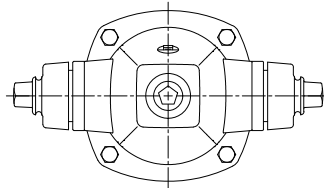
6 INCH PLAIN END W/INTEGRAL MJ GLAND INLET CONNECTION



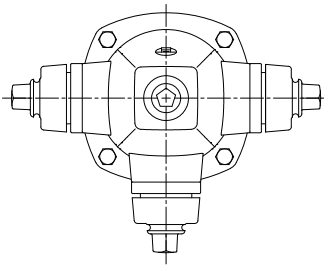
4 INCH MECHANICAL JOINT INLET CONNECTION



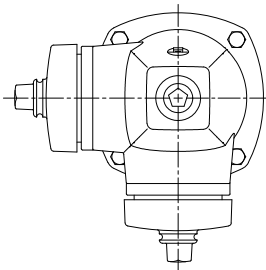
TWO 2-1/2 IN. HOSE NOZZLES AND ONE PUMPER NOZZLE



TWO 2-1/2 IN. HOSE NOZZLES



THREE 2-1/2 IN. HOSE NOZZLES



TWO PUMPER NOZZLES

NOZZLE ARRANGEMENTS

NOTE: THE NOZZLE SECTION MAY BE ROTATED IN THE FIELD TO ANY POSITION.

IL3579



AMERICAN
FLOW CONTROL

THE RIGHT WAY

AMERICAN Flow Control
P.O. Box 2727
Birmingham, Al. 35202-2727
Phone: 1-800-326-8051
Fax: 1-800-610-3569
E-mail: afcsales@american-usa.com

Waterous Company
125 Hardman Avenue South
South St. Paul, Mn. 55075-1191
Phone: 1-888-266-3686
Fax: 1-800-601-2809
E-mail: afcsales@american-usa.com

WWW.AMERICAN-USA.COM