



KENNEDY VALVE

2”-12” Resilient Wedge Gate Valve Model KS RW C515 General Dimensions



AWWA

Note: 2” OS&Y Flanged and Threaded versions are UL Listed.

2”-3” sizes full wall ductile iron (per AWWA C509 dimensions).

All OS&Y Gates incorporate a pre-grooved stem for supervisory switch.

END CONNECTIONS	STEM TYPE	SIZE RANGE	FIGURE NO.	w/ POST PLATE	PAGE NO.
Flanged Ends	Non-Rising	2”-12”	7561SS	7701SS (3”-12”)	2, 3, 6
Mechanical Joint	Non-Rising	2”-12”*	7571SS	7071SS (3”-12”)	2, 3, 10
Flange x Mechanical Joint	Non-Rising	3”-12”	7572SS	7702SS (3”-12”)	2, 3, 11
Push-on for PVC (SDR)	Non-Rising	2”-8”	7597SS	7597PSS (3”-8”)	2, 3, 14
Flanged Ends	OS&Y	2”-12”	7068A	N/A	4, 5, 7
Mechanical Joint x Tap Ends	Non-Rising	4”-12”	7950SS	7950PSS	2, 3, 17
Push-on for D.I. & C900 PVC	Non-Rising	4”-12”	7901SS	7901PSS	2, 3, 12
M.J. Cutting-in	Non-Rising	4”-12”	7576SS	(Consult K.V.)	2, 3, 15
Push-on for D.I. x Fig.	Non-Rising	4”-12”	7902SS	7902PSS	2, 3, 13
Threaded	Non-Rising	2”-3”	7057SS	7057PSS (3” only)	2, 3, 16
Threaded	OS&Y	2”-3”	7067	N/A	4, 5, 20
Flange x Groove	OS&Y	2.5”-12”	7092ABF	N/A	4, 5, 8
Grooved Ends	OS&Y	2.5”-8”	7093ABF	N/A	4, 5, 9
Flange x Groove	Non-Rising	2.5”-12”	7592ABF	7592PABF	2, 3, 18
Grooved Ends	Non-Rising	2.5”-12”	7593ABF	7593PABF	2, 3, 19

*excludes 2½”

**SDR - Standard Dimension Ratio

SIZE RANGE	WATER WORKING PRESSURE PSI	SEAT TEST PSI	HYDROSTATIC SHELL TEST PSI
AWWA 2”-12”	250 Water Work	300	500
ULFM 2.5”-12”	200 Fire Protection	300	500

Available in either non-rising stem or outside screw & yoke.

ACCESSORIES

Indicator Posts	Floorstands (Non-Rising Stem)
“T” Handles”	Handwheels
Stem Guides	Extension Stems
2” Sq. Operating Nuts	Chain Wheels



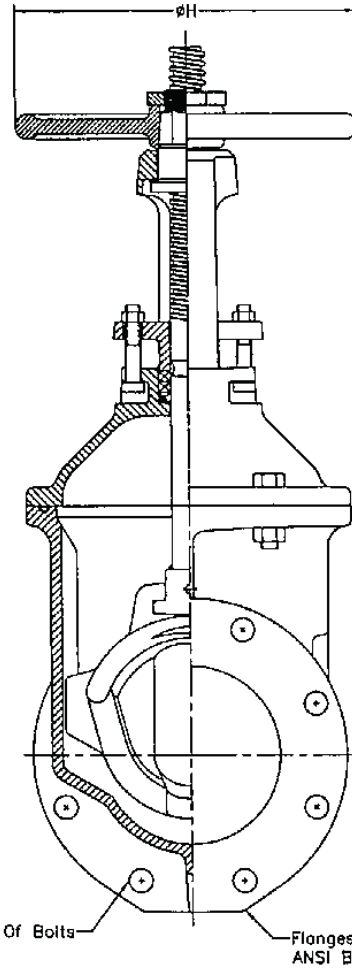
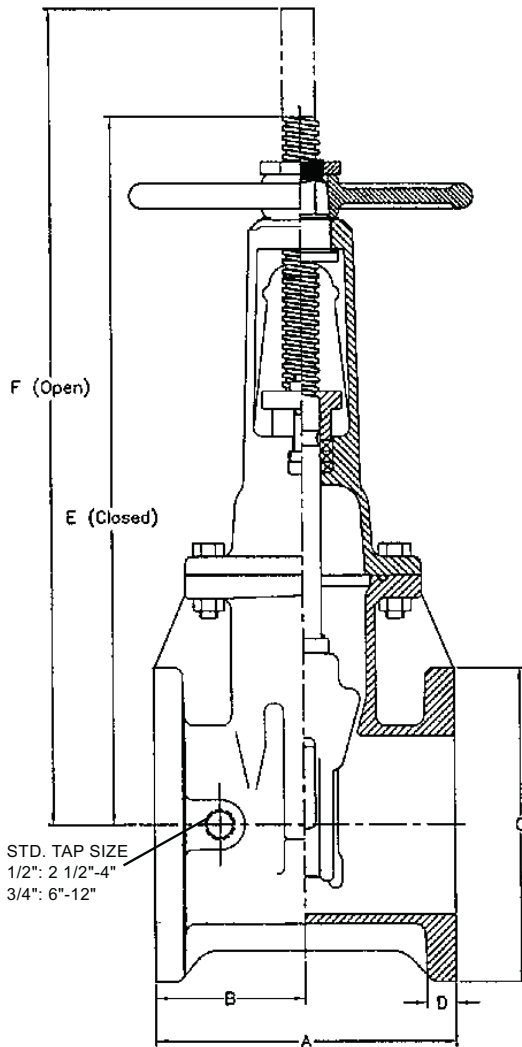
KENNEDY VALVE

2"-12" Resilient Seated Gate Valve
 KS RW OS&Y C515
 Flange Ends
 General Dimensions

Fig. 7068A



AWWA



VALVE SIZE	A	b	C	D	E	F	G	H	WEIGHT
2	7	3 1/2	6	11/16	10	12	4 5/8	7 1/4	N/A
2 1/2	7 1/2	3 3/4	7	11/16	13 7/8	16 3/8	4 5/8	7 1/4	51
3	8	4	7 1/2	3/4	15 5/8	18 7/8	4 5/8	10	64
4	9	4 1/2	9	15/16	18 1/4	22 3/4	8 5/8	10	105
6	10 1/2	5 1/4	11	1	23 3/4	30 1/8	8 3/4	12	152
8	11 1/2	5 3/4	13 1/2	1 1/8	29 1/4	37 3/4	8 3/4	14	253
10	13	6 1/2	16	1 3/16	35 3/8	45 3/4	12 7/8	18	427
12	14	7	19	1 1/4	40 5/8	53 1/8	12 7/8	18	581