



KENNEDY VALVE



AWWA

2”-12” Resilient Wedge Gate Valve Model KS RW C515 General Dimensions

Note: 2” OS&Y Flanged and Threaded versions are UL Listed.

2”-3” sizes full wall ductile iron (per AWWA C509 dimensions).

All OS&Y Gates incorporate a pre-grooved stem for supervisory switch.

Flanged valves: Standard taps are 1/2” for 4” and smaller valves. Standard taps are 3/4” for 6” and larger valves.

Grooved End valves and Groove x Flange valves use 3/4” for all tapped positions.

*Older production may have 1/2” taps.

END CONNECTIONS	STEM TYPE	SIZE RANGE	FIGURE NO.	w/ POST PLATE	PAGE NO.
Flanged Ends	Non-Rising	2”-12”	7561SS	7701SS (3”-12”)	2, 3, 6
Mechanical Joint	Non-Rising	2”-12”*	7571SS	7071SS (3”-12”)	2, 3, 10
Flange x Mechanical Joint	Non-Rising	3”-12”	7572SS	7702SS (3”-12”)	2, 3, 11
Push-on for PVC (SDR)	Non-Rising	2”-8”	7597SS	7597PSS (3”-8”)	2, 3, 14
Flanged Ends	OS&Y	2”-12”	7068A	N/A	4, 5, 7
Mechanical Joint x Tap Ends	Non-Rising	4”-12”	7950SS	7950PSS	2, 3, 17
Push-on for D.I. & C900 PVC	Non-Rising	4”-12”	7901SS	7901PSS	2, 3, 12
M.J. Cutting-in	Non-Rising	4”-12”	7576SS	(Consult K.V.)	2, 3, 15
Push-on for D.I. x Fig.	Non-Rising	4”-12”	7902SS	7902PSS	2, 3, 13
Threaded	Non-Rising	2”-3”	7057SS	7057PSS (3” only)	2, 3, 16
Threaded	OS&Y	2”-3”	7067	N/A	4, 5, 20
Flange x Groove	OS&Y	2.5”-12”	7092ABF	N/A	4, 5, 8
Grooved Ends	OS&Y	2.5”-8”	7093ABF	N/A	4, 5, 9
Flange x Groove	Non-Rising	2.5”-12”	7592ABF	7592PABF	2, 3, 18
Grooved Ends	Non-Rising	2.5”-12”	7593ABF	7593PABF	2, 3, 19

*excludes 2½”

**SDR - Standard Dimension Ratio

SIZE RANGE	WATER WORKING PRESSURE PSI	SEAT TEST PSI	HYDROSTATIC SHELL TEST PSI
AWWA 2”-12”	250 Water Work	300	500
ULFM 2.5”-12”	200 Fire Protection	300	500

Available in either non-rising stem or outside screw & yoke.

ACCESSORIES

Indicator Posts	Floorstands (Non-Rising Stem)
“T” Handles”	Handwheels
Stem Guides	Extension Stems
2” Sq. Operating Nuts	Chain Wheels



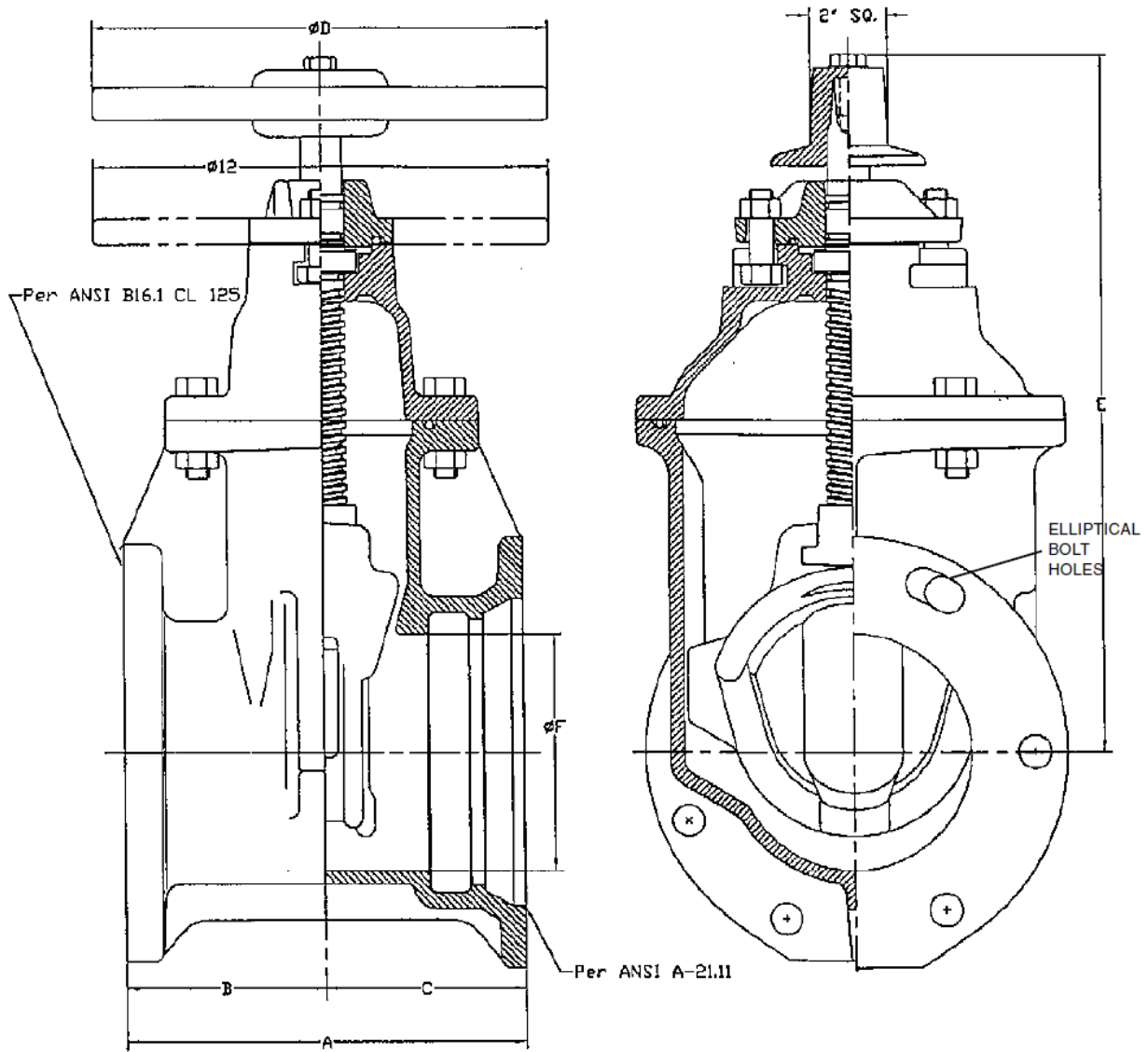
KENNEDY VALVE

**3"-12" Resilient Seated Gate Valve
KS RW Non-Rising C515
Flange x Mechanical Joint
General Dimensions**



Fig. 7572SS
Fig. 7702SS (with Post Plate)

AWWA



ELLIPTICAL BOLT HOLE DESIGN ELIMINATES THE NEED FOR ANTI-ROTATIONAL BOLTS

VALVE SIZE	A	B	C	D	E	F
3	8 1/4	4	4 1/4	10	12 3/8	3
4	9 1/4	4 1/2	4 3/4	10	14 3/4	4 1/4
6	10 1/2	5 1/4	5 1/4	12	19	6 1/4
8	12 5/16	5 3/4	6 9/16	14	22 1/2	8 1/4
10	14 1/4	6 1/2	7 3/4	18	26 1/2	10 1/4
12	15	7	8	18	30	12 1/4