
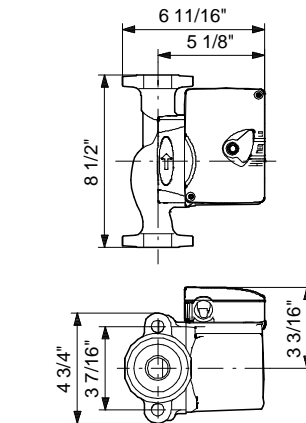
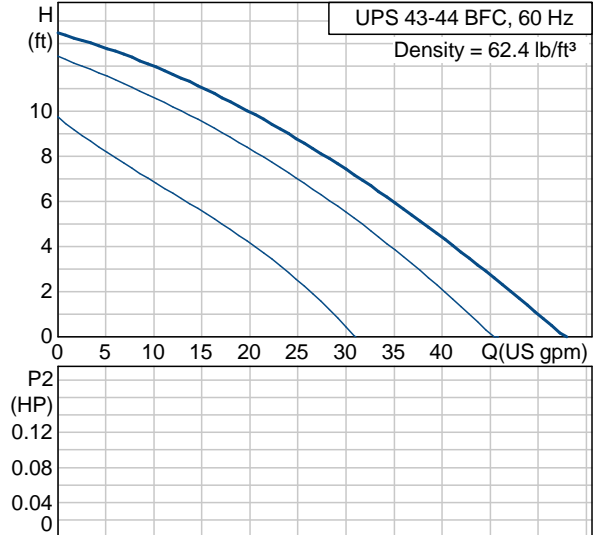




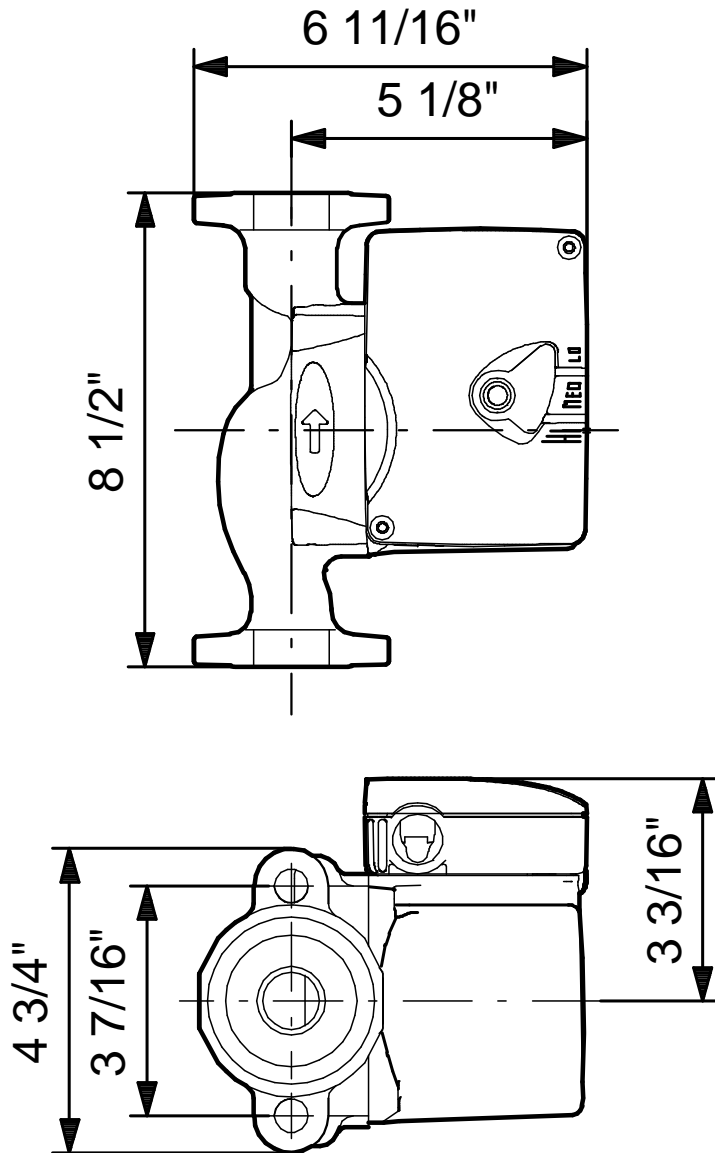
| Position | Count | Description | Unit price |
|----------|-------|---|------------|
| | -1 | <p>UPS 43-44 BFC</p>  <p>Product photo could vary from the actual product</p> <p>Product No.: 52722520 The pump is of the canned rotor type, i.e. pump and motor form an integral unit without shaft seal and with only two gaskets for sealing. The bearings are lubricated by the pumped liquid. The pump is characterized by:</p> <ul style="list-style-type: none"> * Ceramic shaft and radial bearings. * Carbon axial bearing. * Stainless steel rotor can and bearing plate. * Corrosion-resistant impeller, Composite, PES. * Bronze pump housing. <p>The motor is a 1-phase motor. No additional motor protection is required.</p> <p>Liquid: Liquid temperature range: 35.6 .. 230 °F Density: 62.4 lb/ft³</p> <p>Technical: Maximum operating pressure: 145 psi Approvals on nameplate: UL, CSA</p> <p>Materials: Pump housing: Bronze DIN W.-Nr. 2.1176.01 Impeller: Composite, PES</p> <p>Installation: Maximum ambient temperature: 104 °F Ambient max at 176°F liquid: 176 °F Maximum operating pressure: 145 psi Flange standard: USA Oval Type of connection: Bronze Flange Pipe connection: 2 - Bolt Flange Pressure stage: 10 Port-to-port length: 8 1/2 in</p> <p>Electrical data:</p> | On request |

| Position | Count | Description | Unit price |
|----------|-------|--|------------|
| | | Number of poles: 2 Power input in speed 1: 157 W Power input in speed 2: 189 W Max. power input: 203 W Rated power - P2: 0.161 HP Main frequency: 60 Hz Rated voltage: 1 x 115 V Current in speed 1: 1.4 A Current in speed 2: 1.7 A Current in speed 3: 1.8 A Capacitor size - run: 20 µF/180 V Insulation class (IEC 85): F Others: Gross weight: 13.5 lb | |

| Description | Value |
|------------------------------|--|
| Product name: | UPS 43-44 BFC |
| Product Number: | 52722520 |
| EAN number: | 5700834891052 |
| Technical: | |
| Speed Number: | 3 |
| Max flow: | 63 US gpm |
| Head max: | 14.1 ft |
| Maximum operating pressure: | 145 psi |
| Approvals on nameplate: | UL, CSA |
| Valve: | pump with built-in isolating and non-return valves |
| Materials: | |
| Pump housing: | Bronze |
| | DIN W.-Nr. 2.1176.01 |
| Impeller: | Composite, PES |
| Installation: | |
| Maximum ambient temperature: | 104 °F |
| Ambient max at 176°F liquid: | 176 °F |
| Maximum operating pressure: | 145 psi |
| Flange standard: | USA Oval |
| Type of connection: | Bronze Flange |
| Pipe connection: | 2 - Bolt Flange |
| Pressure stage: | 10 |
| Port-to-port length: | 8 1/2 in |
| Liquid: | |
| Liquid temperature range: | 35.6 .. 230 °F |
| Density: | 62.4 lb/ft³ |
| Electrical data: | |
| Number of poles: | 2 |
| Power input in speed 1: | 157 W |
| Power input in speed 2: | 189 W |
| Max. power input: | 203 W |
| Rated power - P2: | 0.161 HP |
| Main frequency: | 60 Hz |
| Rated voltage: | 1 x 115 V |
| Current in speed 1: | 1.4 A |
| Current in speed 2: | 1.7 A |
| Current in speed 3: | 1.8 A |
| Capacitor size - run: | 20 µF/180 V |
| Insulation class (IEC 85): | F |
| Motor protection: | CONTACT |
| Thermal protec: | internal |
| Controls: | |
| Pos term box: | 9H |
| Others: | |
| Gross weight: | 13.5 lb |



52722520 UPS 43-44 BFC 60 Hz



Note! All units are in [mm] unless others are stated.
Disclaimer: This simplified dimensional drawing does not show all details.