

KALLISTA®

General Wall Handshower & Select Diverter Valve

FEATURES

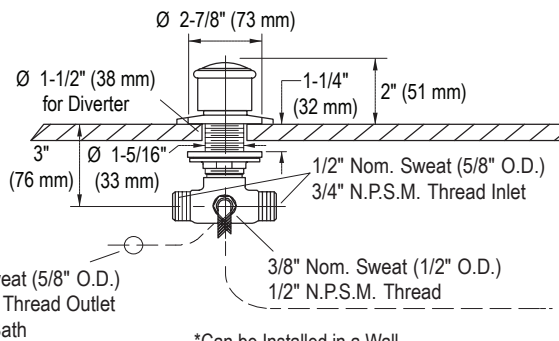
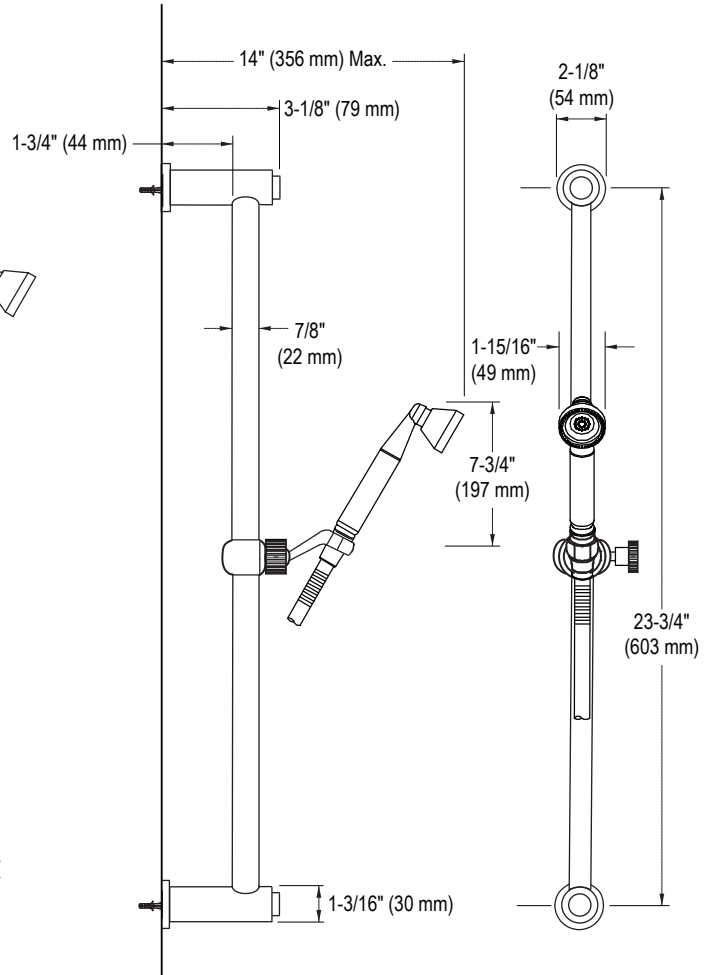
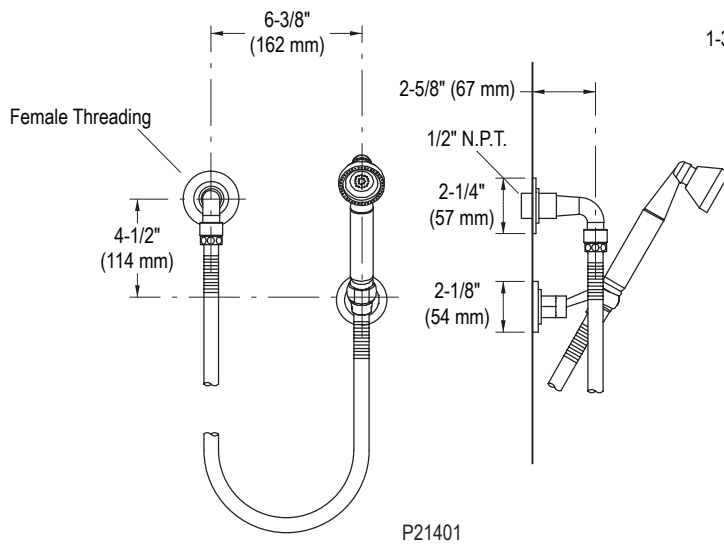
- Hose Length 56" Handshower
- Solid Brass Construction for Durability and Reliability
- 2.5 GPM (9.5 LPM)
- Pivot Bracket to Adjust Handshower Position
- Complements Kallista Faucets and Fixtures

CODES/STANDARDS APPLICABLE

P21435 Model Meets or Exceeds the Following:

- ASME A112.18.1
- ASSE 1014
- ASSE 1025
- CSA B125

P21401, P21405,
P21435



*Can be Installed in a Wall Mount Application to the Same Rough-in Dimensions.

P21435

P21405

ROUGHING-IN NOTES

All Dimensions are Nominal.		
Diverter Hole Size	1-1/2" (38 mm)	
Deck Thickness	Min	Max
Diverter	—	1-1/4" (38 mm)

SPECIFIED MODEL

Model	Description	Finishes		
P21401-00	General Wall Handshower	<input type="checkbox"/> CP Polished Chrome	<input type="checkbox"/> AD Nickel Silver	<input type="checkbox"/> AG Brushed Nickel
P21405-00	General Wall Handshower, with Bar	<input type="checkbox"/> CP Polished Chrome	<input type="checkbox"/> AD Nickel Silver	<input type="checkbox"/> AG Brushed Nickel
P21435-00	Select Diverter Valve	<input type="checkbox"/> CP Polished Chrome	<input type="checkbox"/> AD Nickel Silver	<input type="checkbox"/> AG Brushed Nickel

We reserve the right to make revisions without notice in the design of products or in packaging unless this right has specifically been waived at the time the order is accepted.